



US00D831920S

(12) **United States Design Patent** (10) **Patent No.:** **US D831,920 S**
Duvigneau (45) **Date of Patent:** **** Oct. 23, 2018**

- (54) **HAMPER**
- (71) Applicant: **CURVER Luxembourg Sarl,**
Neidercorn (LU)
- (72) Inventor: **Nikolai Duvigneau, Zichron Yaacov**
(IL)
- (73) Assignee: **CURVER LUXEMBOURG SARL,**
Neidercorn (LU)
- (**) Term: **15 Years**
- (21) Appl. No.: **29/634,684**
- (22) Filed: **Jan. 24, 2018**

Related U.S. Application Data

- (62) Division of application No. 29/573,890, filed on Aug. 10, 2016, now Pat. No. Des. 820,552.

Foreign Application Priority Data

- Feb. 11, 2016 (IL) 58066
- (51) **LOC (11) Cl.** **09-04**
- (52) **U.S. Cl.**
USPC **D32/37**
- (58) **Field of Classification Search**
USPC D34/1, 2, 3, 4, 5, 6, 7, 8, 9, 10, 11, 37,
D34/39; D6/403; D9/737, 738, 770,
D9/772, 778, 781; D11/143; D19/77,
D19/99; D23/202, 203, 205; 220/211,
220/4.04, 484, 495.08, 569, 62.12, 62.13,
220/703, 737, 748, 908.1, 908.2, 908,
220/909, 495.09, 810, 495.06; D3/304,
D3/306, 307, 309, 312; D32/532
CPC D06F 95/002; B65D 1/38; A47G 25/20
See application file for complete search history.

(56) **References Cited**

U.S. PATENT DOCUMENTS

D233,207 S *	10/1974	Molzon	D32/37
D264,040 S *	4/1982	Kunze	D32/37
D277,993 S *	3/1985	Sinchok	D3/309
D302,067 S *	7/1989	Yoshikawa	D3/312
D305,274 S *	12/1989	Yoshikawa	D3/314
D343,711 S *	1/1994	Craft	D32/37
D351,266 S *	10/1994	Licari	D32/37
D372,568 S *	8/1996	Lippisch	D32/37
D372,583 S *	8/1996	Brightbill	D3/312
D380,088 S *	6/1997	Kolada	D3/312
D388,918 S *	1/1998	Douglas	D32/37
D389,621 S *	1/1998	Short	D32/37

(Continued)

OTHER PUBLICATIONS

Thehomeshoppe, "Infinity Laundry Basket Dots 40L", Jul. 12, 2018. <https://www.thehomeshoppe.com.sg/products/infinity-laundry-basket-dots-40l?variant=41150896268>. Shown in p. 1. (Year: 2018).*

Primary Examiner — Cynthia Ramirez

Assistant Examiner — Michael A Maharajh

(74) *Attorney, Agent, or Firm* — Vorys, Sater, Seymour & Pease LLP

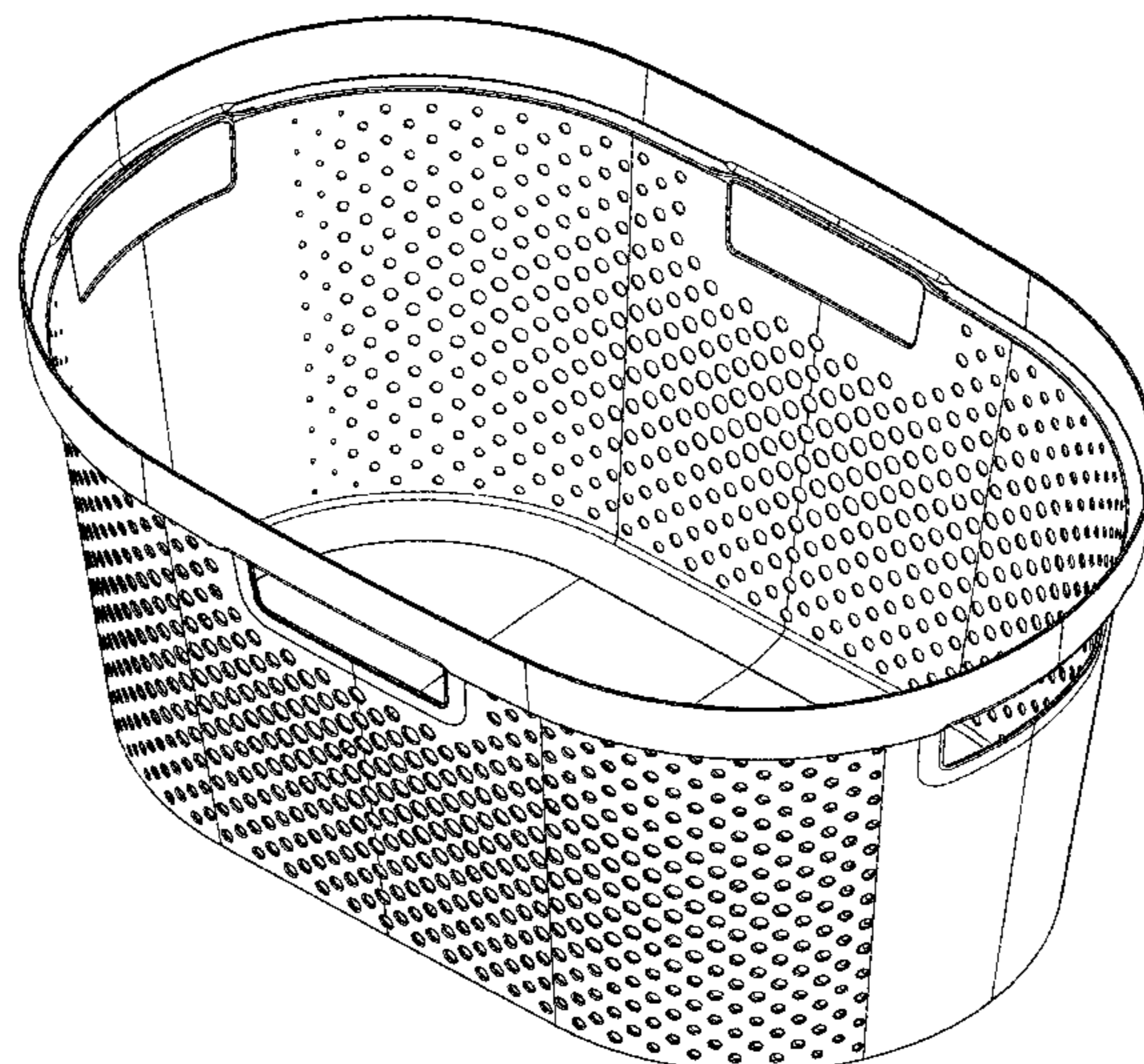
(57) **CLAIM**

The ornamental design for a hamper, as shown and described.

DESCRIPTION

FIG. 1 is a front perspective view of a hamper;
FIG. 2 is a bottom perspective view of the hamper as seen in FIG. 1;
FIG. 3 is a front view of the hamper as seen in FIG. 1, rear view being identical;
FIG. 4 is a side view of the hamper as seen in FIG. 1, other side view being a mirror image;
FIG. 5 is a top view of the hamper as seen in FIG. 1; and,
FIG. 6 is a bottom view of the hamper as seen in FIG. 1.

1 Claim, 6 Drawing Sheets



(56)

References Cited

U.S. PATENT DOCUMENTS

D401,065 S * 11/1998 Peltola D3/304
D425,275 S * 5/2000 Delouvre D32/37
D433,548 S * 11/2000 Baines D34/1
D466,301 S * 12/2002 Sofy D3/307
D477,145 S * 7/2003 Sofy D3/307
D536,874 S * 2/2007 Splain D3/304
7,207,460 B2 * 4/2007 Sander D06F 95/002
220/676
D554,371 S * 11/2007 Åhman D3/304
D578,308 S * 10/2008 Simas D3/304
D584,020 S * 12/2008 McNamara D32/37
D690,891 S * 10/2013 Barre D32/37
8,727,172 B2 * 5/2014 Burgess D06F 95/002
220/532
D728,939 S * 5/2015 Suomela D3/304
9,481,960 B2 * 11/2016 Sofy D06F 95/002
9,526,365 B2 * 12/2016 Sinmaz A47G 25/20
D775,830 S * 1/2017 Duvigneau D3/304
D775,831 S * 1/2017 Duvigneau D3/304
D777,434 S * 1/2017 Duvigneau D3/307
D789,089 S * 6/2017 Duvigneau D3/306
D798,517 S * 9/2017 Duvigneau D32/37
D799,830 S * 10/2017 Greenwood D3/312
D804,181 S * 12/2017 Takagaki D3/307
D819,971 S * 6/2018 Lindsay D3/312
D820,552 S * 6/2018 Duvigneau D34/37

* cited by examiner

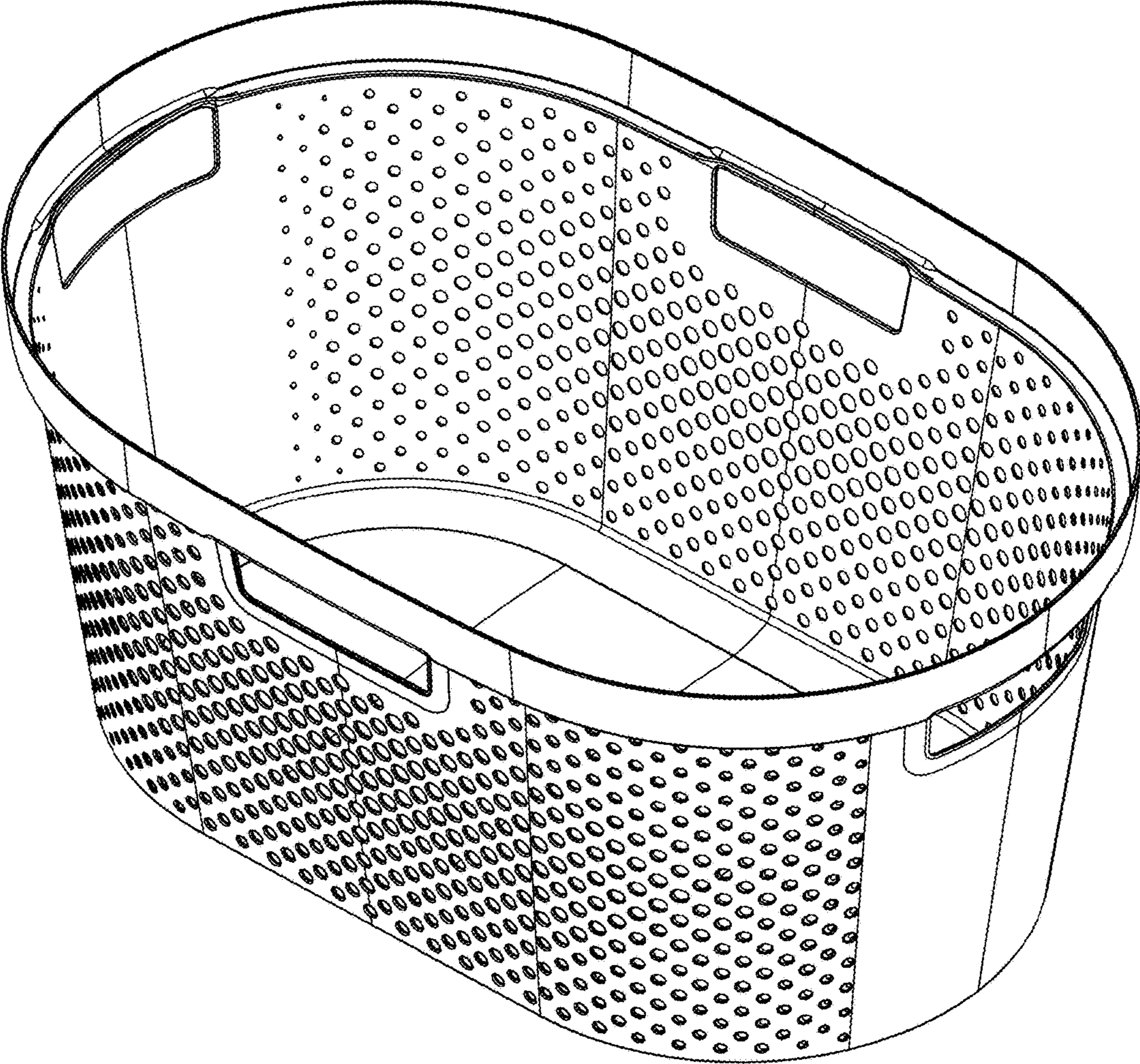


FIG. 1

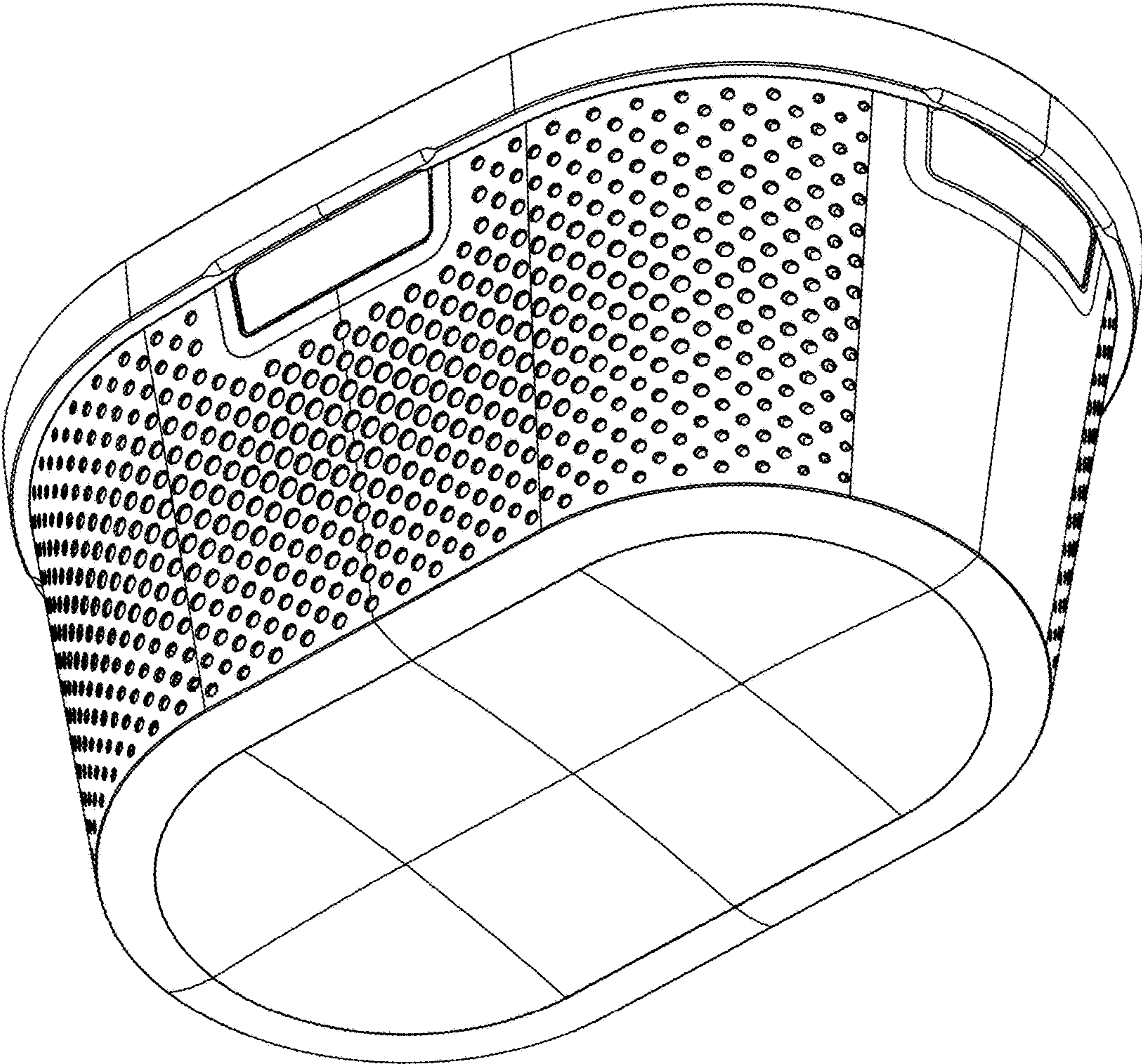


FIG. 2

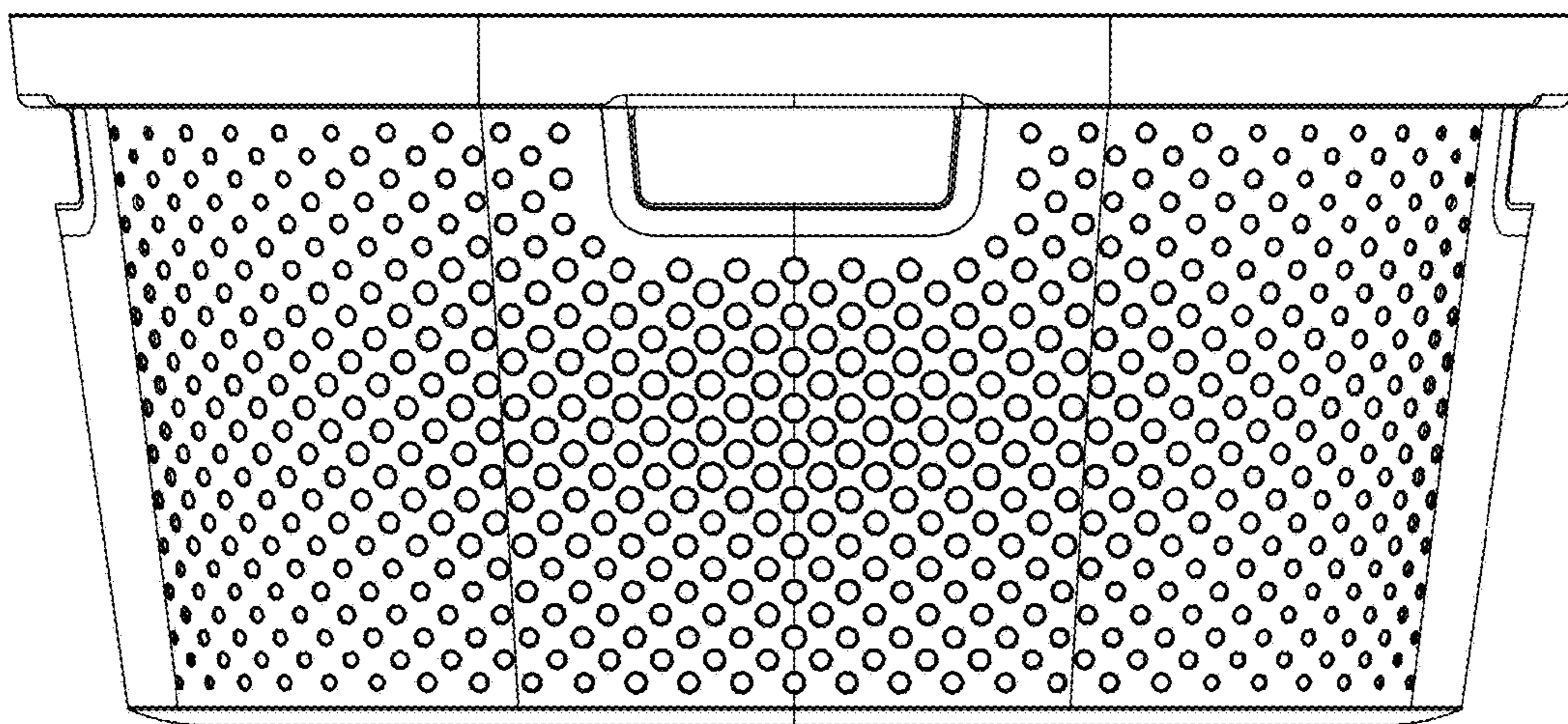


FIG. 3

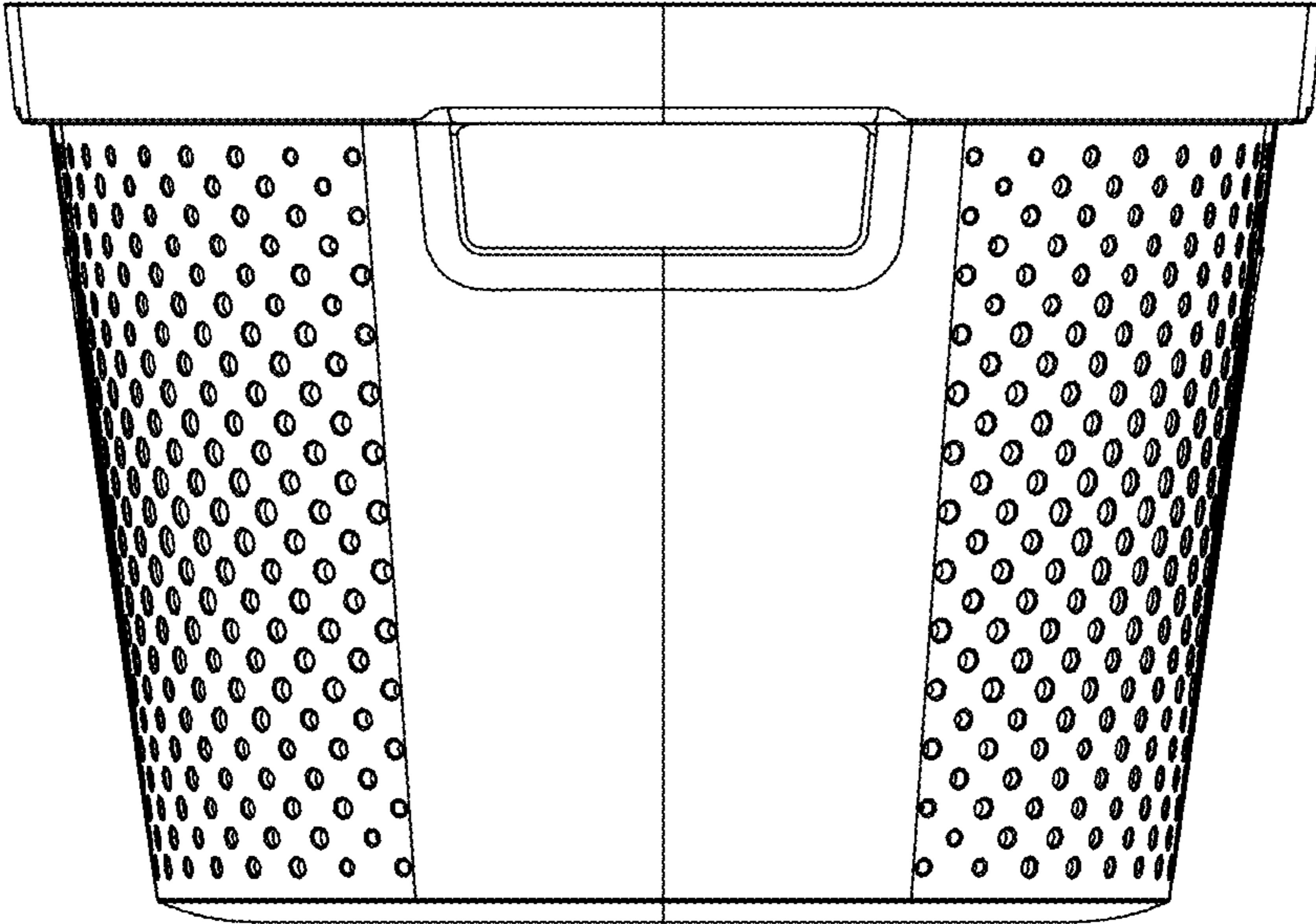


FIG. 4

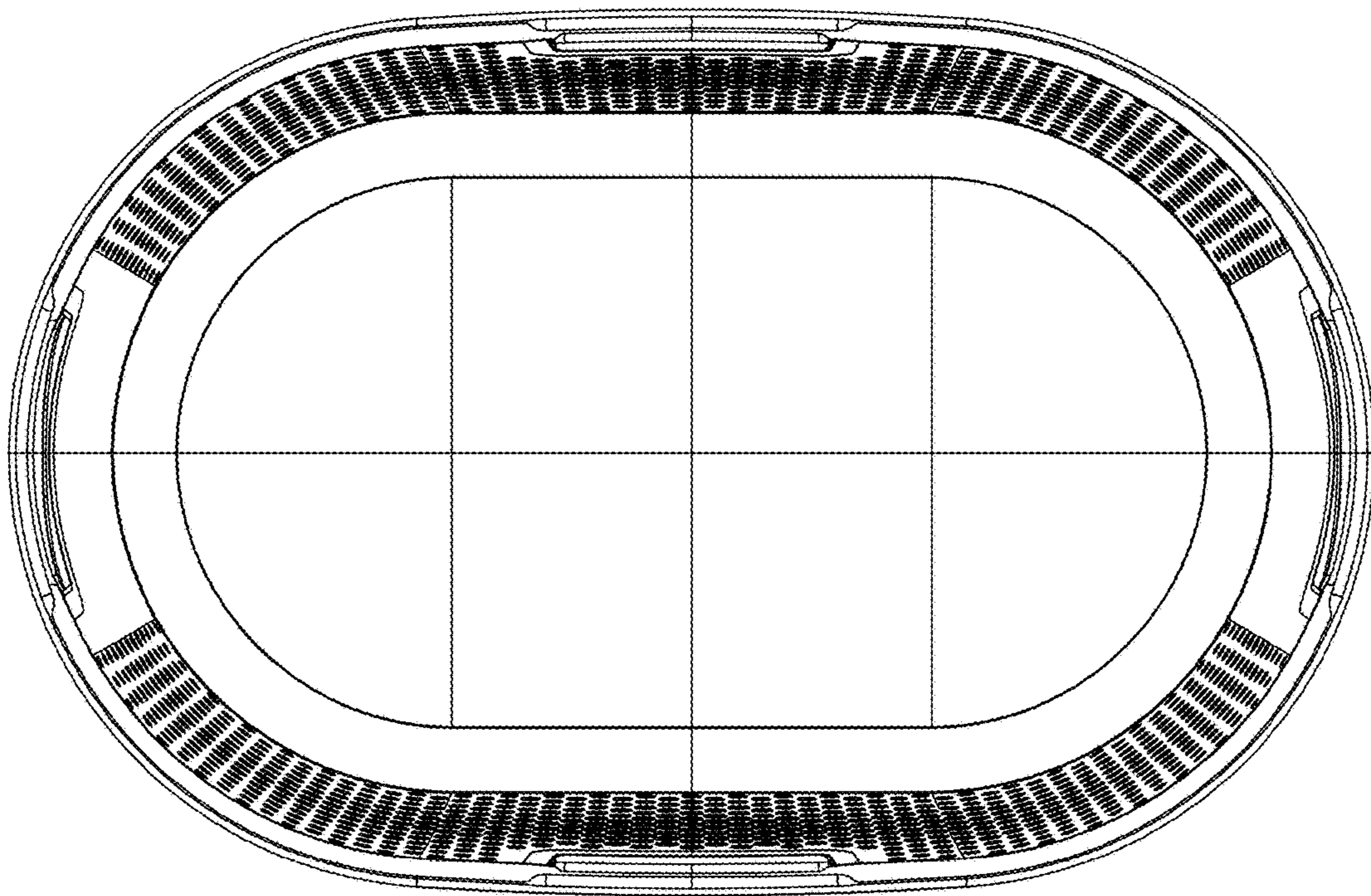


FIG. 5

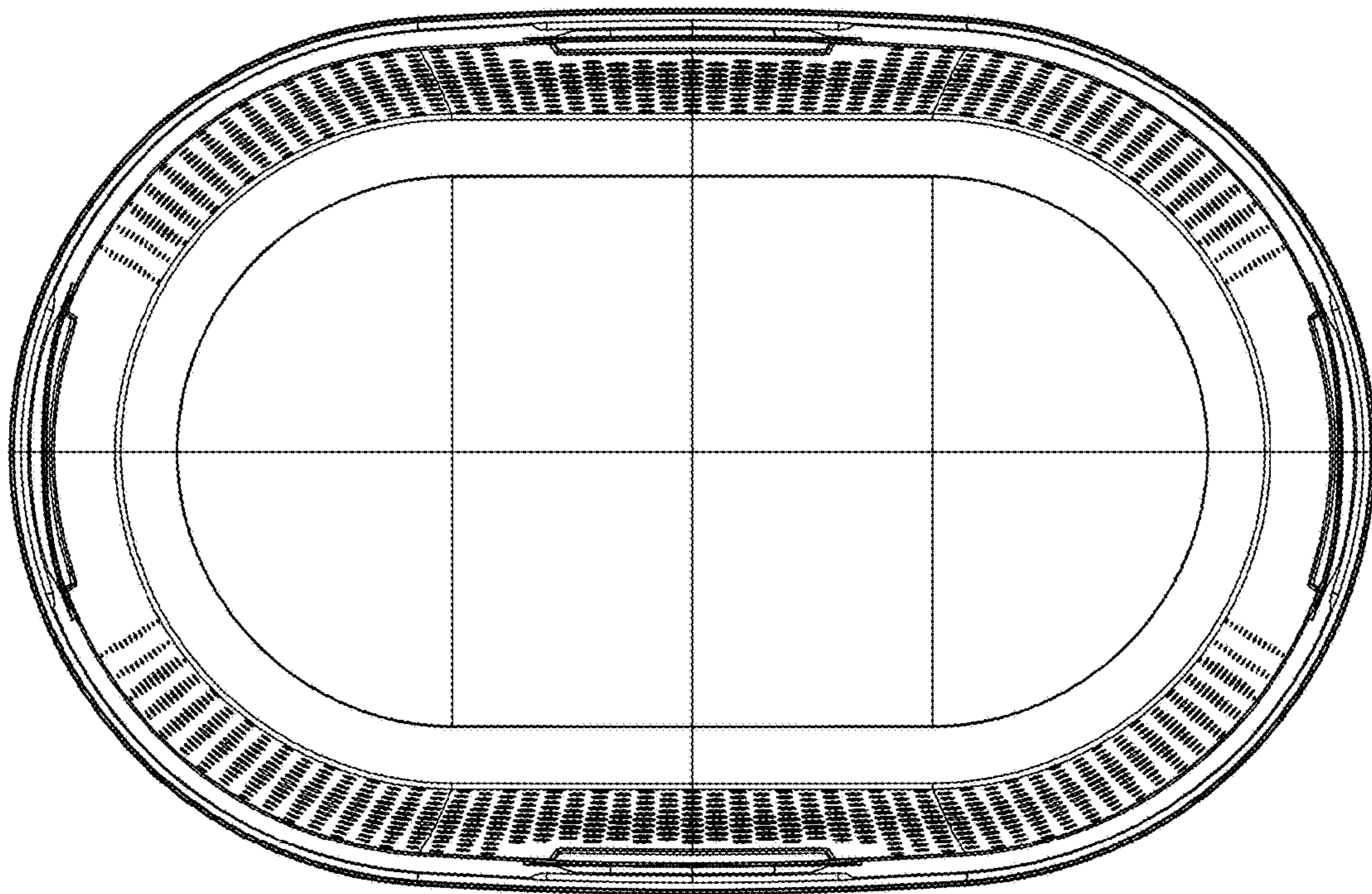


FIG. 6