



US00D831919S

(12) **United States Design Patent**
Nam et al.

(10) **Patent No.:** **US D831,919 S**
(45) **Date of Patent:** **** Oct. 23, 2018**

(54) **SUCTION NOZZLE FOR VACUUM CLEANER**

(71) Applicant: **LG ELECTRONICS INC.**, Seoul (KR)

(72) Inventors: **Bohyun Nam**, Seoul (KR); **Jaeyoung Kim**, Seoul (KR); **Myungwhoon Lee**, Seoul (KR)

(73) Assignee: **LG ELECTRONICS INC.**, Seoul (KR)

(**) Term: **15 Years**

(21) Appl. No.: **29/596,564**

(22) Filed: **Mar. 9, 2017**

(51) **LOC (11) Cl.** **15-05**

(52) **U.S. Cl.**
USPC **D32/32**

(58) **Field of Classification Search**
USPC D32/17, 31-33, 25
CPC ... A47L 9/02; A47L 9/242; A47L 9/24; A47L 9/06; A47L 11/4044; A47L 5/34; A47L 5/362; A47L 5/36; A47L 5/14
See application file for complete search history.

(56) **References Cited**

U.S. PATENT DOCUMENTS

D507,854 S * 7/2005 Kim D32/32
D556,963 S * 12/2007 Houghton D32/32

D649,725 S * 11/2011 Fjellman D32/32
D698,510 S * 1/2014 Chu D32/32
D706,504 S * 6/2014 Park D32/33
D740,507 S * 10/2015 Chu D32/32
D741,559 S * 10/2015 Marsden D32/32
D770,711 S * 11/2016 Okada D32/32
D787,766 S * 5/2017 Nam D32/32
D789,007 S * 6/2017 Jang D32/32

* cited by examiner

Primary Examiner — Ruth McInroy

(74) *Attorney, Agent, or Firm* — Birch, Stewart, Kolasch & Birch, LLP

(57) **CLAIM**

We claim the ornamental design for a suction nozzle for vacuum cleaner, as shown and described.

DESCRIPTION

FIG. 1 is a perspective view of a suction nozzle for vacuum cleaner showing the new design;
FIG. 2 is a front elevation view thereof;
FIG. 3 is a rear elevation view thereof;
FIG. 4 is a left-side elevation view thereof;
FIG. 5 is a right-side elevation view thereof; and,
FIG. 6 is a top plan view thereof.
The broken lines shown in FIGS. 3 and 6 depict portions of the suction nozzle for vacuum cleaner that form no part of the claimed design.

1 Claim, 4 Drawing Sheets

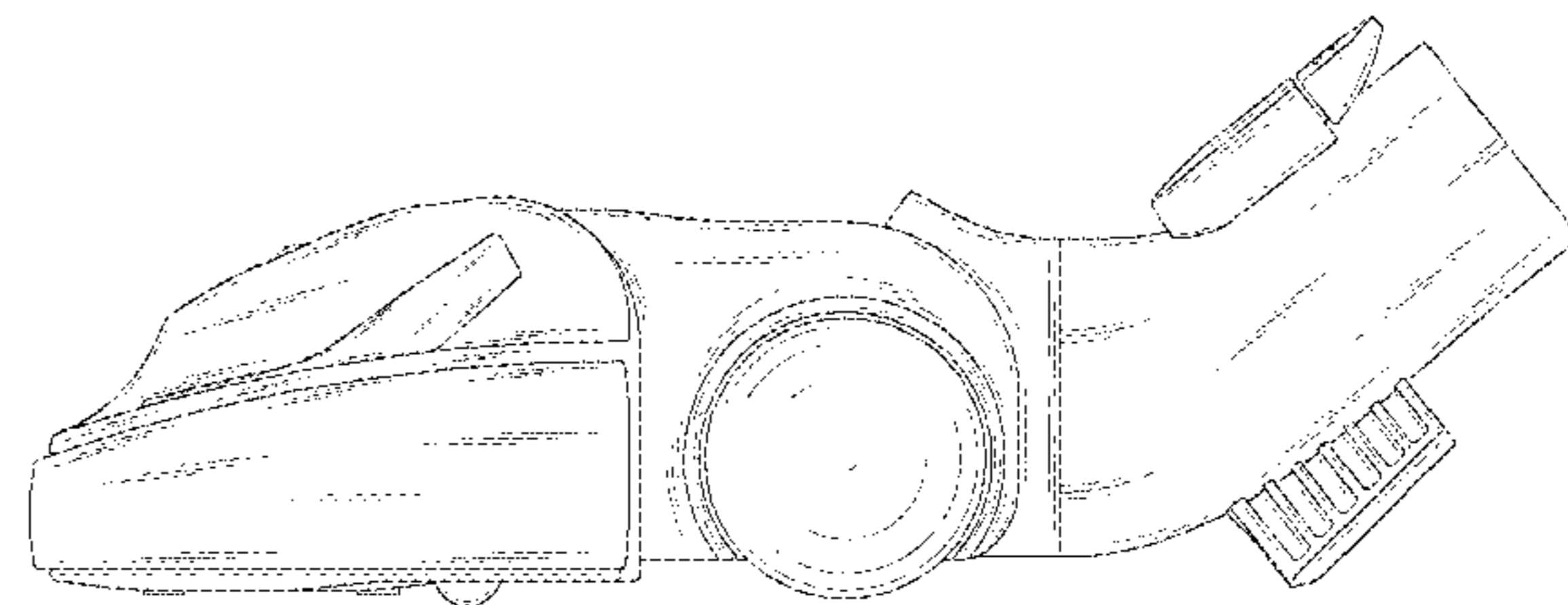
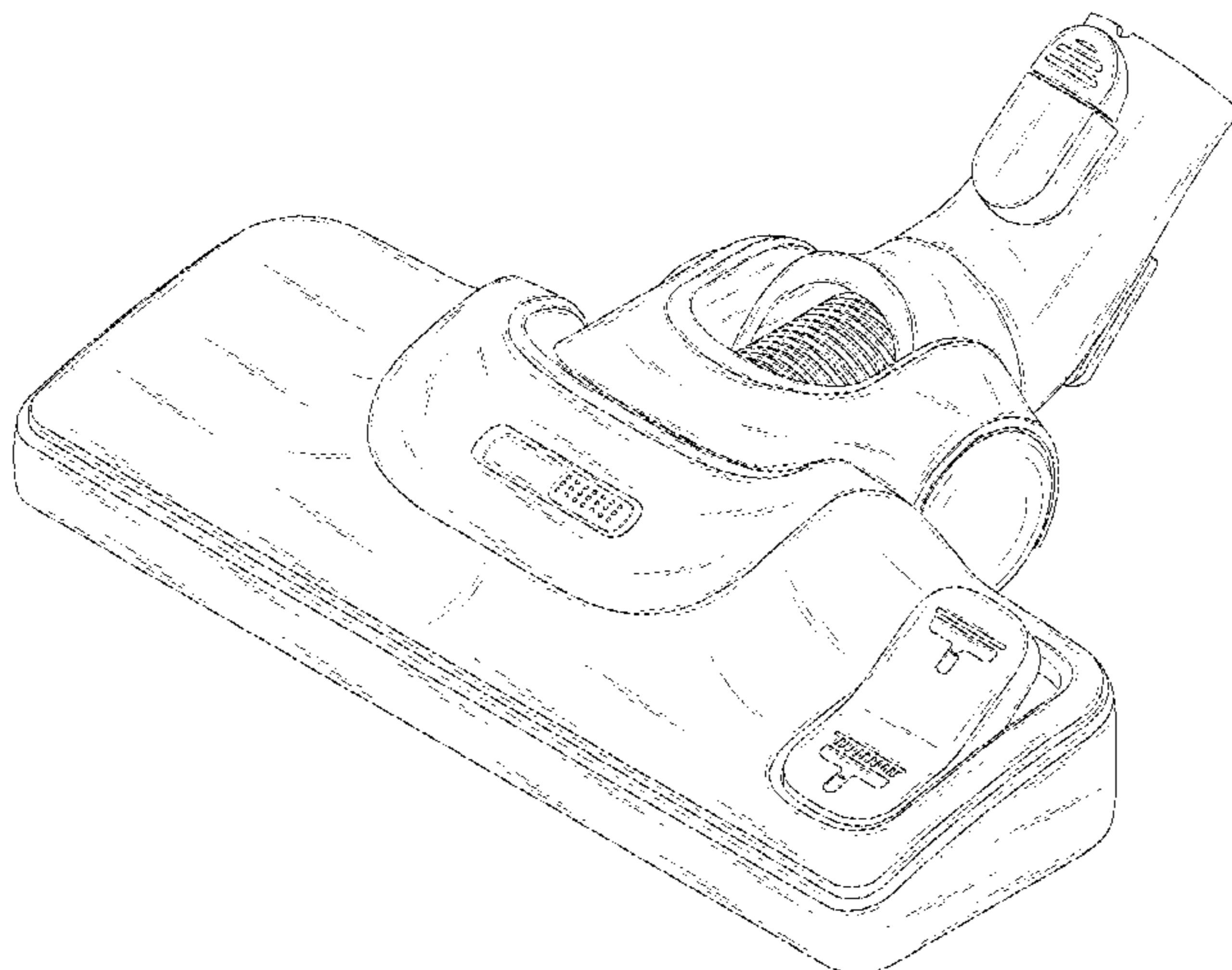


FIG. 1

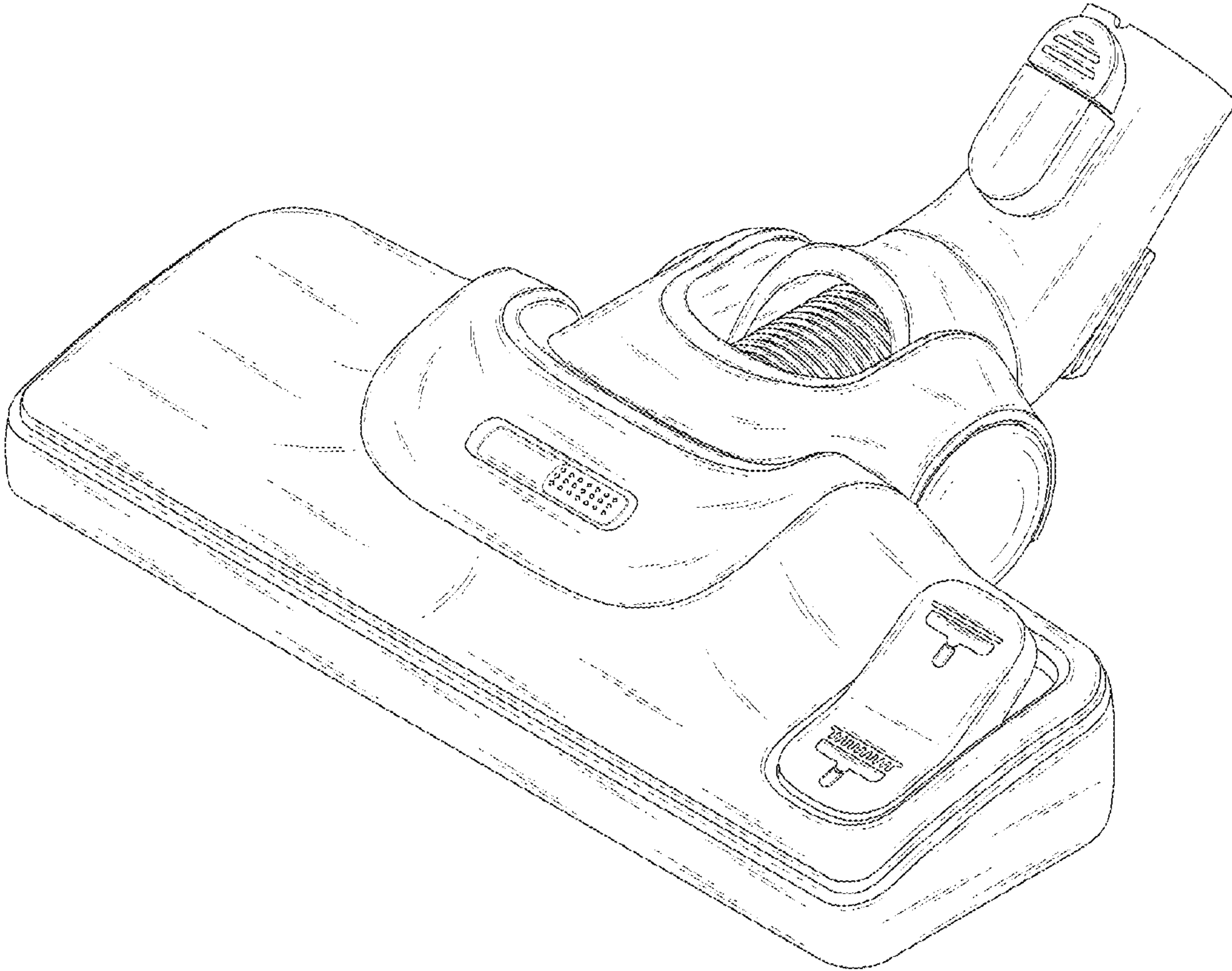


FIG. 2

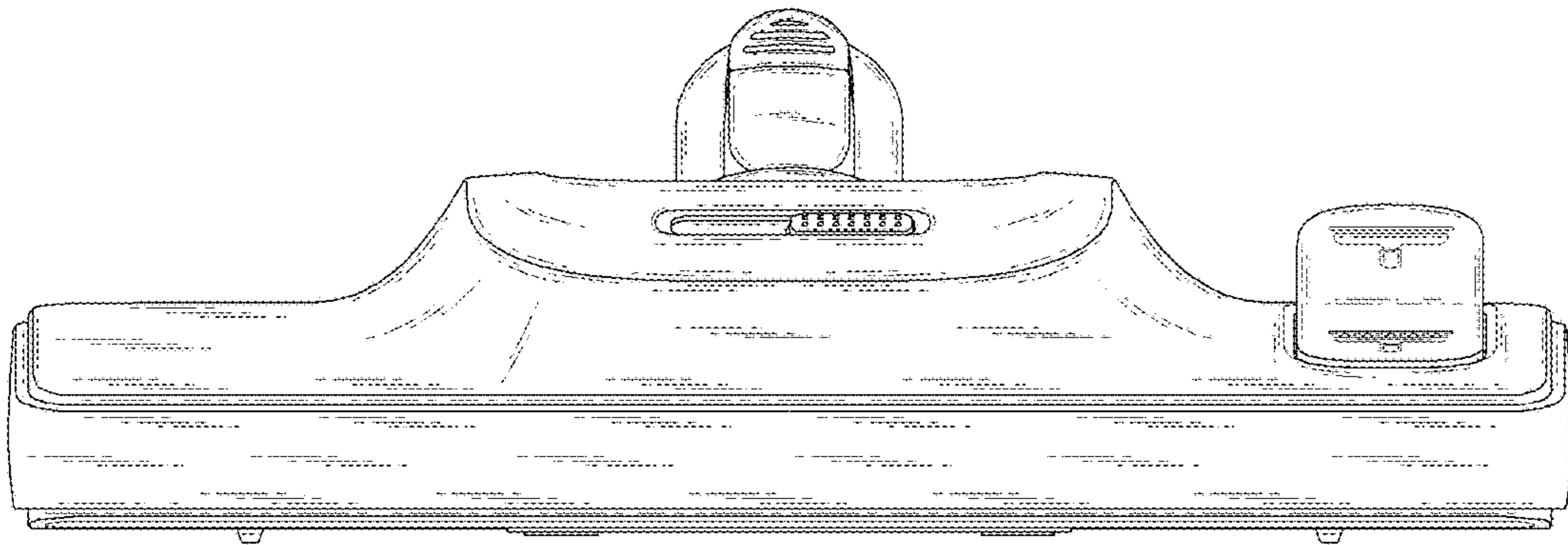


FIG. 3

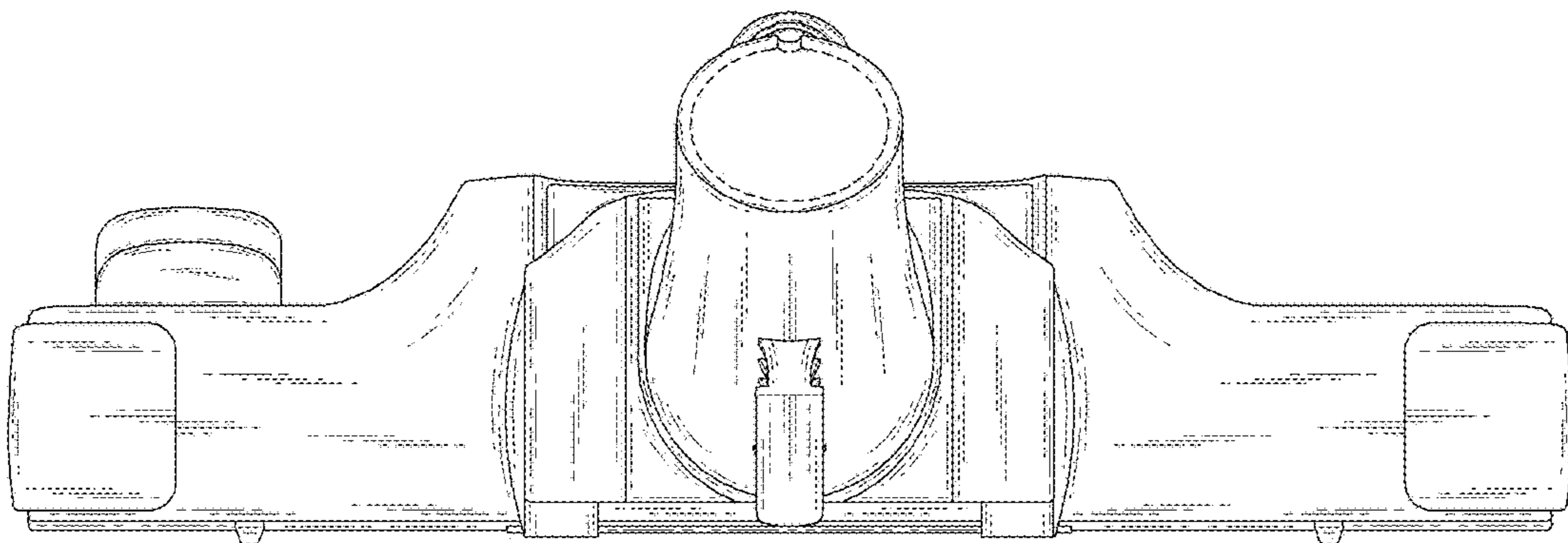


FIG. 4

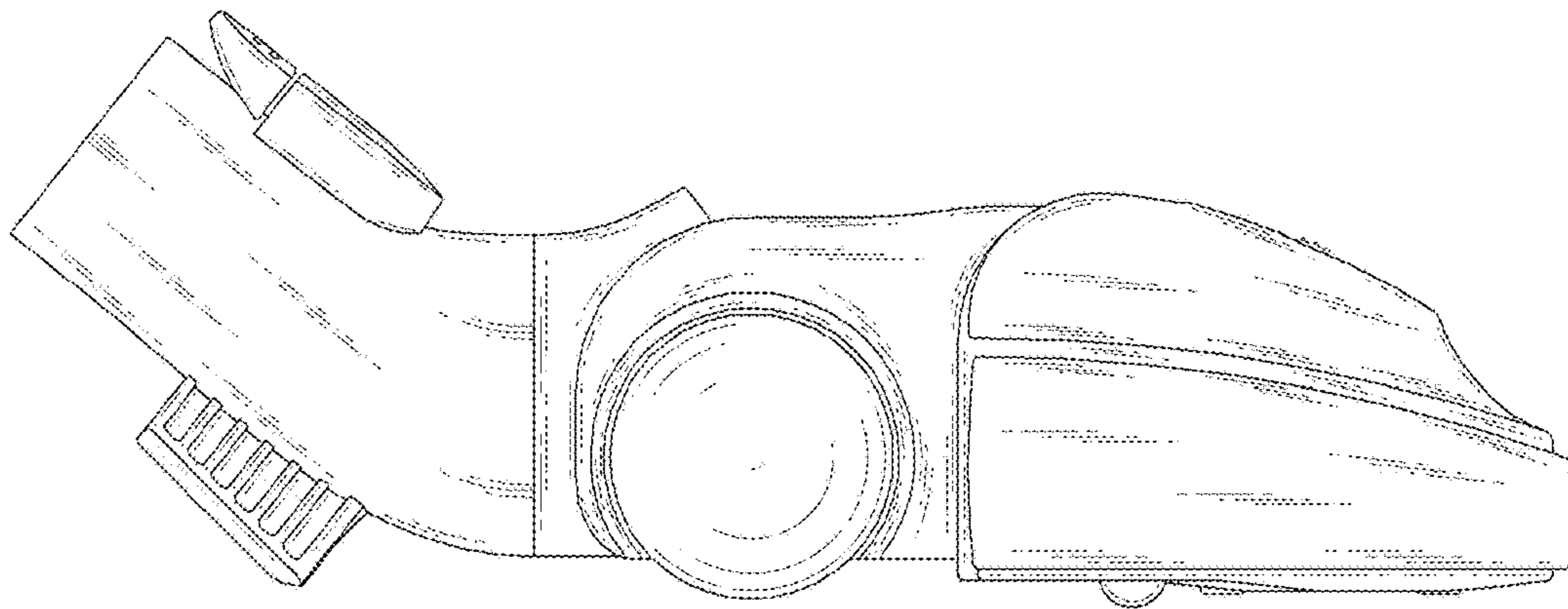


FIG. 5

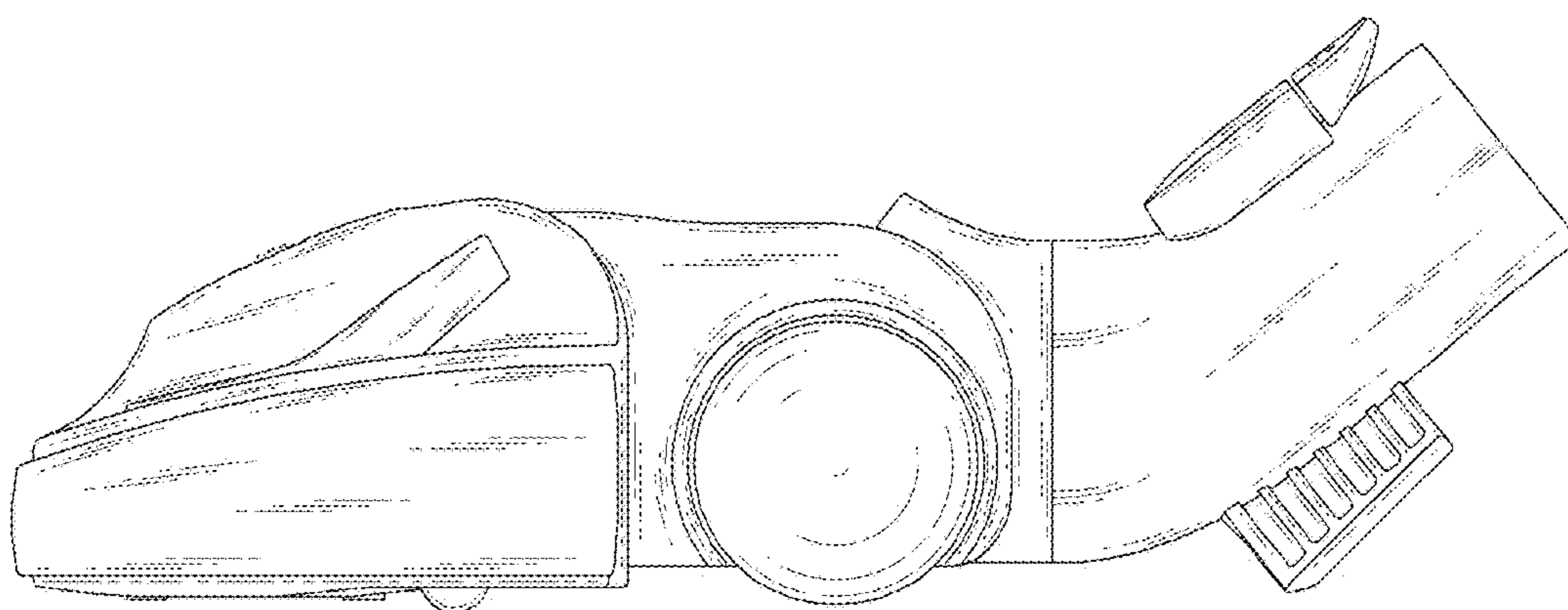


FIG. 6

