



US00D831918S

(12) **United States Design Patent**  
**Lee et al.**

(10) **Patent No.:** **US D831,918 S**  
(45) **Date of Patent:** **\*\* Oct. 23, 2018**

(54) **WASHING MACHINE**

(71) Applicant: **Samsung Electronics Co., Ltd.**,  
Suwon-si (KR)

(72) Inventors: **Joonho Lee**, Seoul (KR); **Jinnam Kim**,  
Seoul (KR); **Nami Mo**, Seoul (KR);  
**Sujung Youn**, Uijeongbu-si (KR);  
**Jungah Choi**, Seoul (KR)

(73) Assignee: **Samsung Electronics Co., Ltd.**,  
Suwon-si (KR)

(\*\*) Term: **15 Years**

(21) Appl. No.: **29/613,412**

(22) Filed: **Aug. 10, 2017**

(30) **Foreign Application Priority Data**

May 22, 2017 (KR) ..... 30-2017-0023117

(51) **LOC (11) Cl.** ..... **15-05**

(52) **U.S. Cl.**  
USPC ..... **D32/28**

(58) **Field of Classification Search**

USPC ..... D32/1, 5, 6, 26, 28; D8/300–303,  
D8/305–312, 321; D7/393, 402, 405–406  
CPC ..... D06F 39/005; D06F 39/028; D06F 39/08;  
D06F 39/022; D06F 2204/02; D06F  
2202/085; H01H 19/025; Y10T 29/49995;  
Y10T 29/49599; Y10T 29/49885; Y10T  
29/49826

See application file for complete search history.

(56) **References Cited**

**U.S. PATENT DOCUMENTS**

D182,886 S \* 5/1958 Ferar ..... D32/28  
D291,053 S \* 7/1987 Decursu ..... D8/310  
D297,211 S \* 8/1988 Rhoades ..... D8/310  
D361,493 S \* 8/1995 Chieda ..... D8/310  
D431,512 S \* 10/2000 Pink ..... D12/197

D540,499 S \* 4/2007 Crookshanks ..... D32/28  
D558,010 S \* 12/2007 Uglum ..... D8/40  
D684,740 S \* 6/2013 Geyer ..... D32/28  
D693,974 S \* 11/2013 Geyer ..... D32/28

(Continued)

**FOREIGN PATENT DOCUMENTS**

CN 2004300306885 11/2004  
CN 2014300527097 7/2014

(Continued)

**OTHER PUBLICATIONS**

Russian Office Action dated May 10, 2018 in counterpart Russian Patent Application No. 2017504211. (23 pages in Russian).

*Primary Examiner* — Michelle E. Wilson

(74) *Attorney, Agent, or Firm* — NSIP Law

(57) **CLAIM**

We claim the ornamental design for a washing machine, as shown and described.

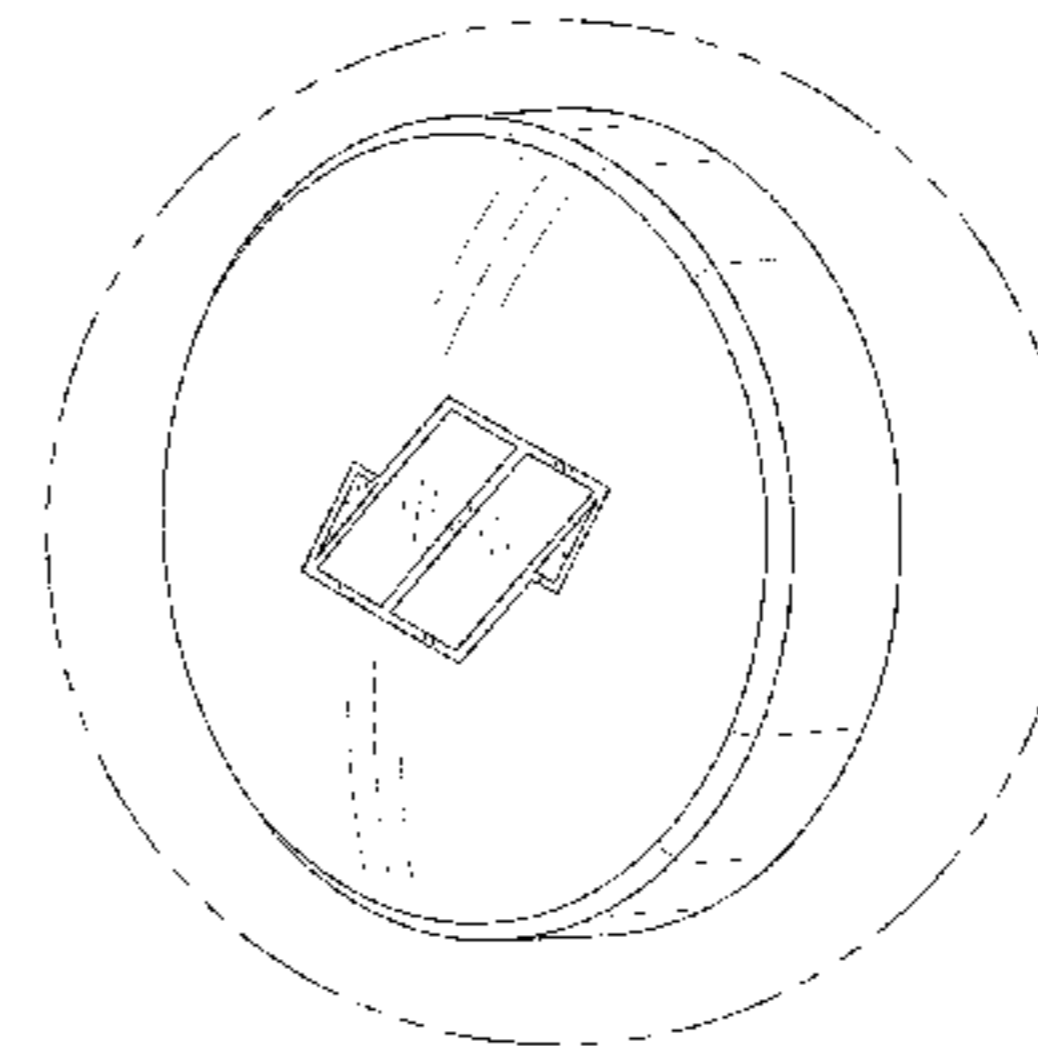
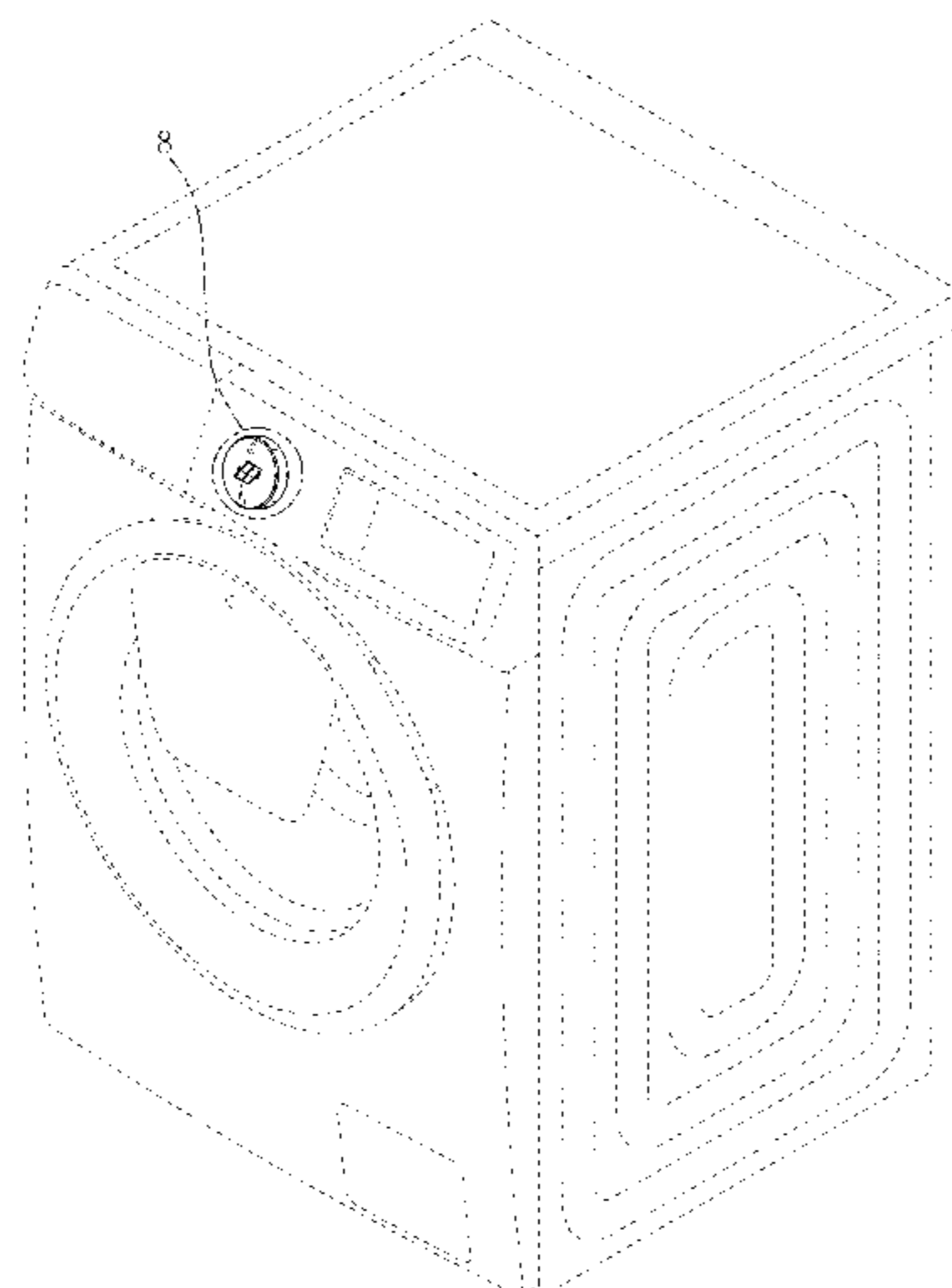
**DESCRIPTION**

FIG. 1 is a front perspective view of a washing machine showing our new design;  
FIG. 2 is a front view thereof;  
FIG. 3 is a rear view thereof;  
FIG. 4 is a left-side view thereof;  
FIG. 5 is a right-side view thereof;  
FIG. 6 is a top view thereof;  
FIG. 7 is a bottom view thereof; and,  
FIG. 8 is an enlarged view of the encircled portion in FIG. 1.

The evenly spaced dot-dot broken lines in the figures show portions of the washing machine which form no part of the claimed design.

The dot-dot-dash broken lines encircling portions of the claimed design that are illustrated in enlargements form no part of the claimed design.

**1 Claim, 8 Drawing Sheets**



(56)

**References Cited**

U.S. PATENT DOCUMENTS

D713,235	S	*	9/2014	Lee	.....	D8/310
D713,236	S	*	9/2014	Park	.....	D8/310
D722,259	S	*	2/2015	Conner	.....	D8/300
D736,589	S	*	8/2015	Watson	.....	D8/310
D758,825	S	*	6/2016	Nesbitt	.....	D8/310
D760,457	S	*	6/2016	Choi	.....	D32/28
D766,696	S	*	9/2016	Kemker	.....	D8/310
D771,888	S	*	11/2016	Kim	.....	D32/28
D772,037	S	*	11/2016	Zimmer	.....	D8/310
D776,509	S	*	1/2017	Fagan	.....	D8/300
D777,008	S	*	1/2017	Nesbitt	.....	D8/310
D794,884	S	*	8/2017	Ayers	.....	D32/28
2006/0000698	A1	*	1/2006	Yoon	.....	D06F 39/005 200/336

FOREIGN PATENT DOCUMENTS

CN	2014304439625	6/2015
EM	000600259-0001	1/2007
EM	001648114-0001	12/2009
EM	001950635-0035	11/2011
KR	30-2014-0054401	6/2015
TR	2014-00669	5/2014
WO	DM/089315	8/2015

\* cited by examiner

FIG. 1

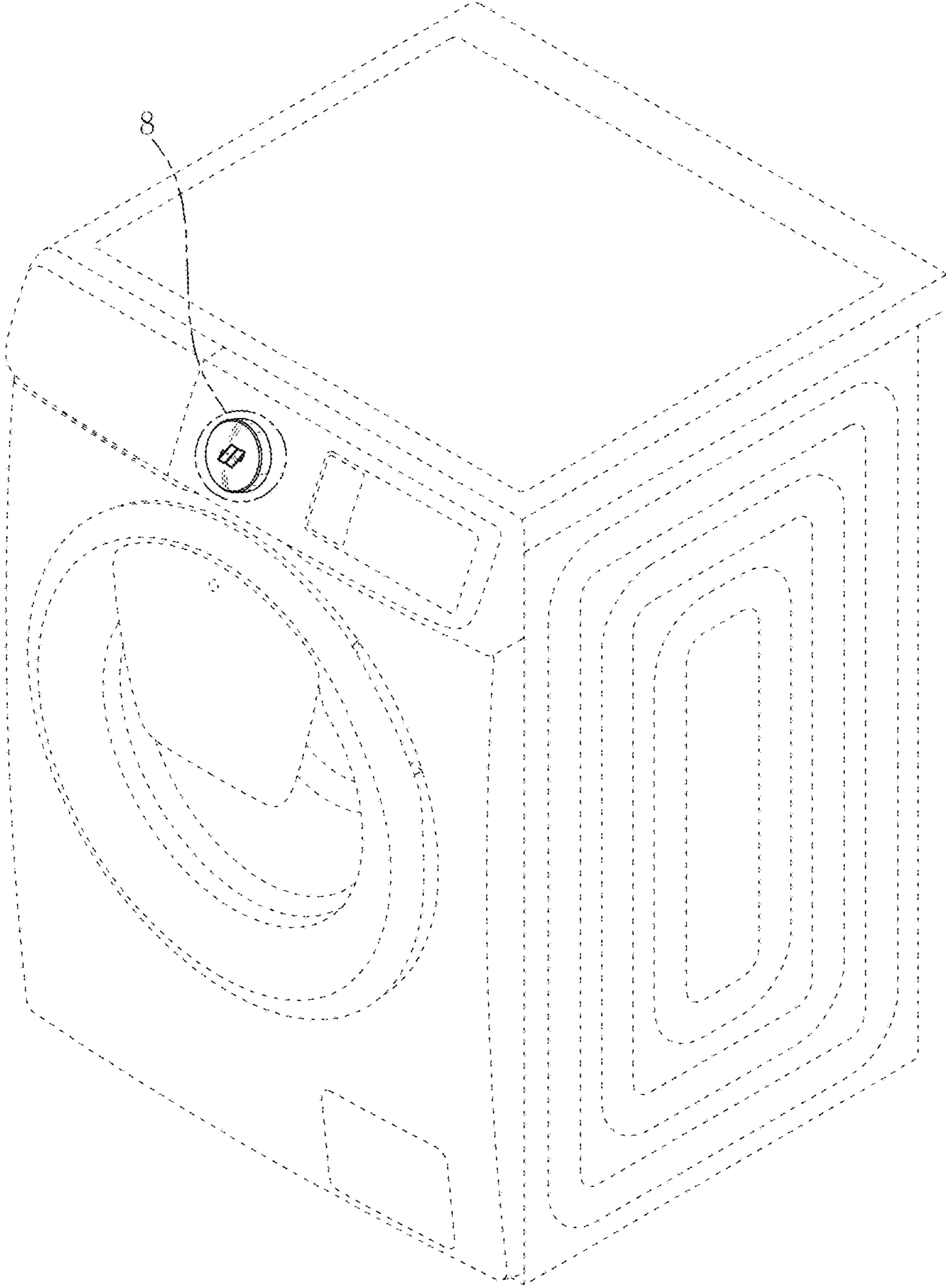


FIG. 2

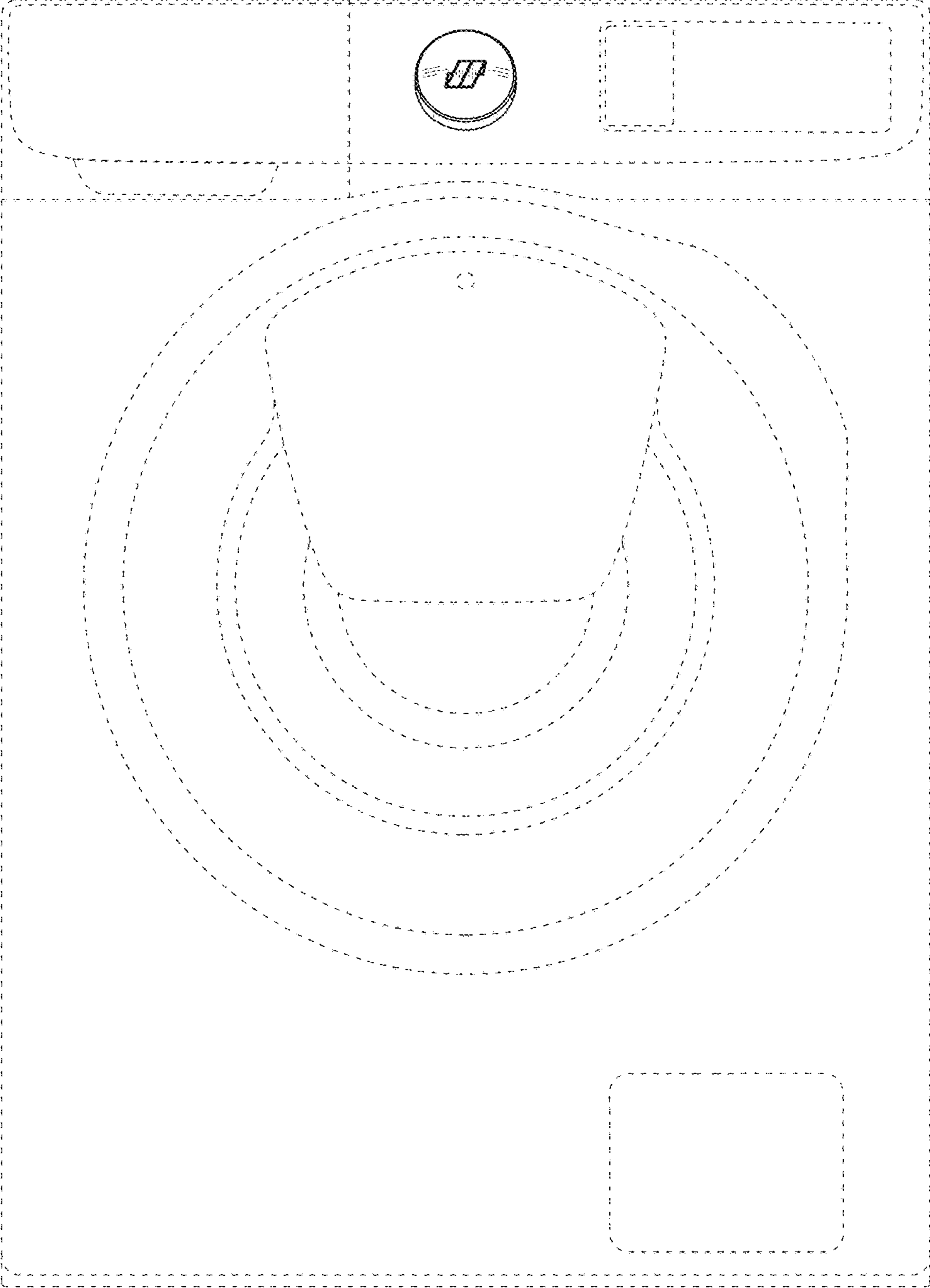


FIG. 3

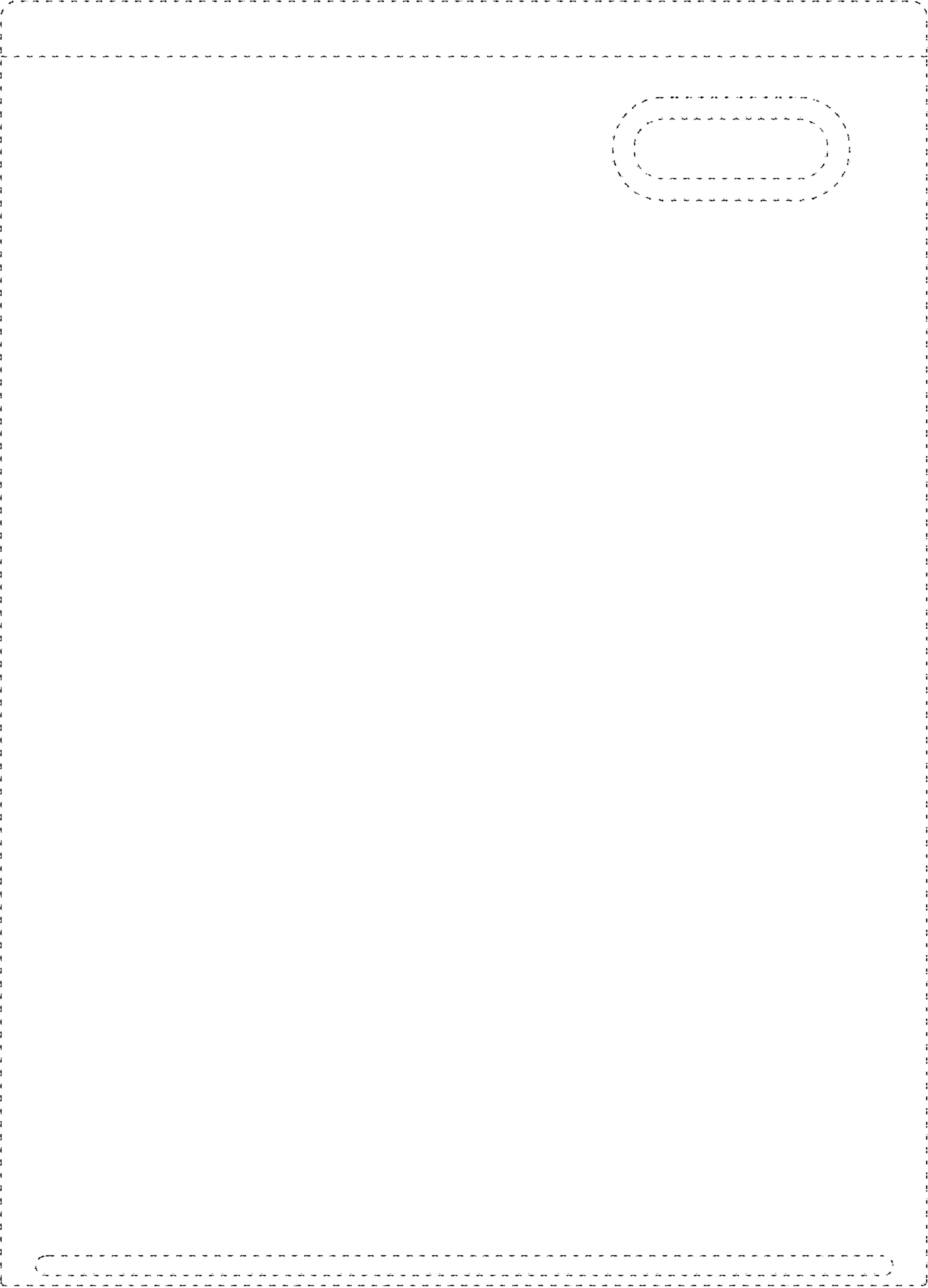


FIG. 4

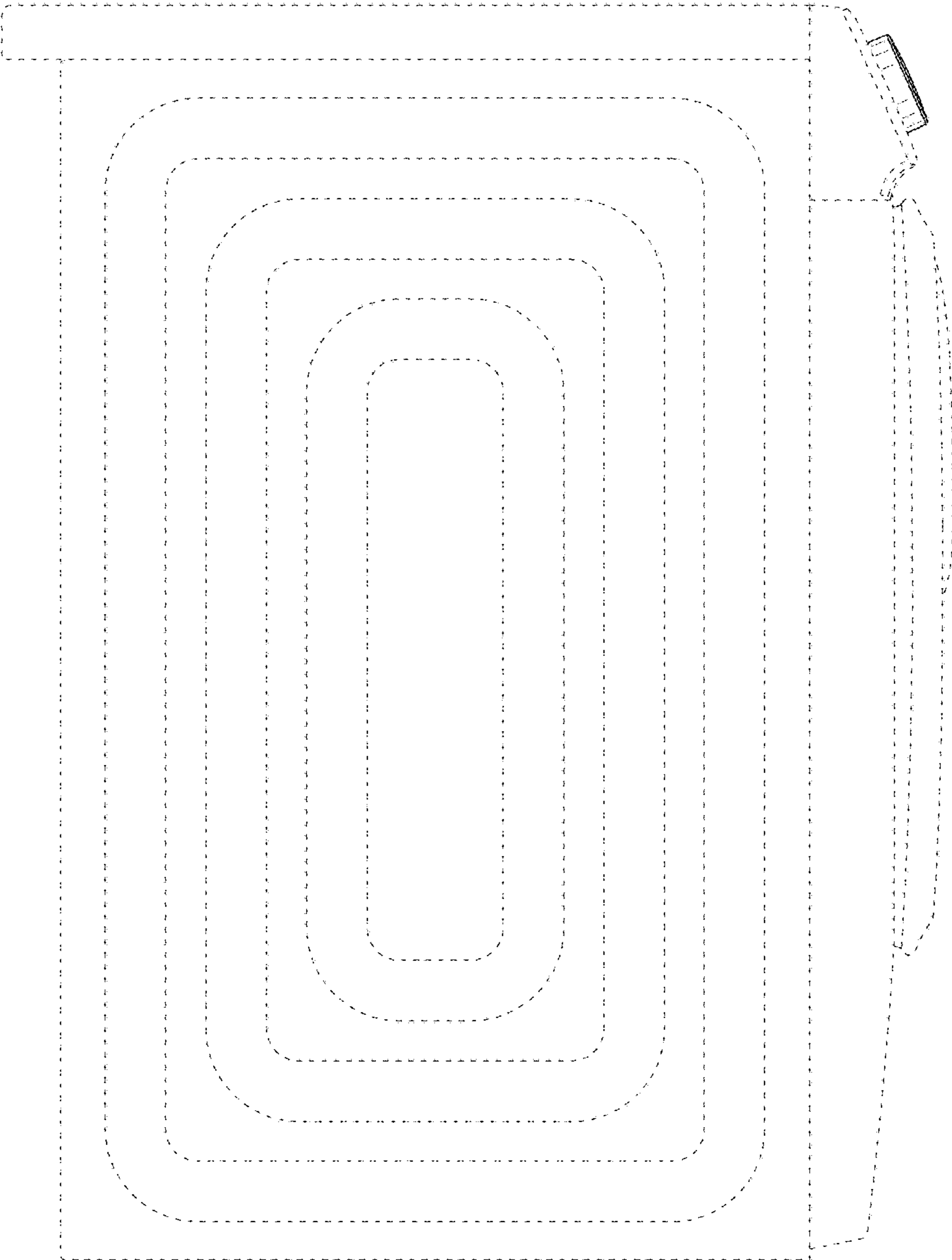


FIG. 5

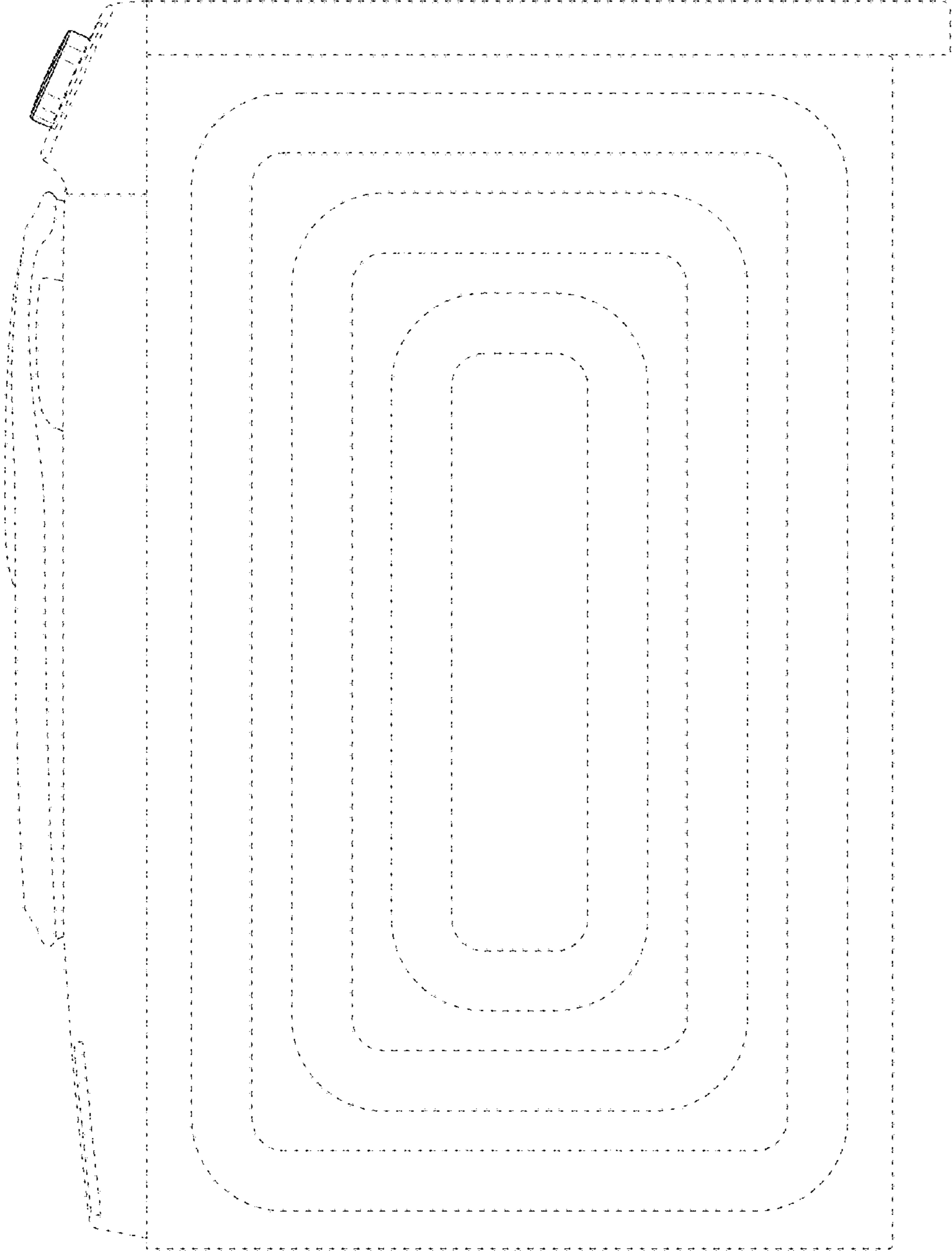


FIG. 6

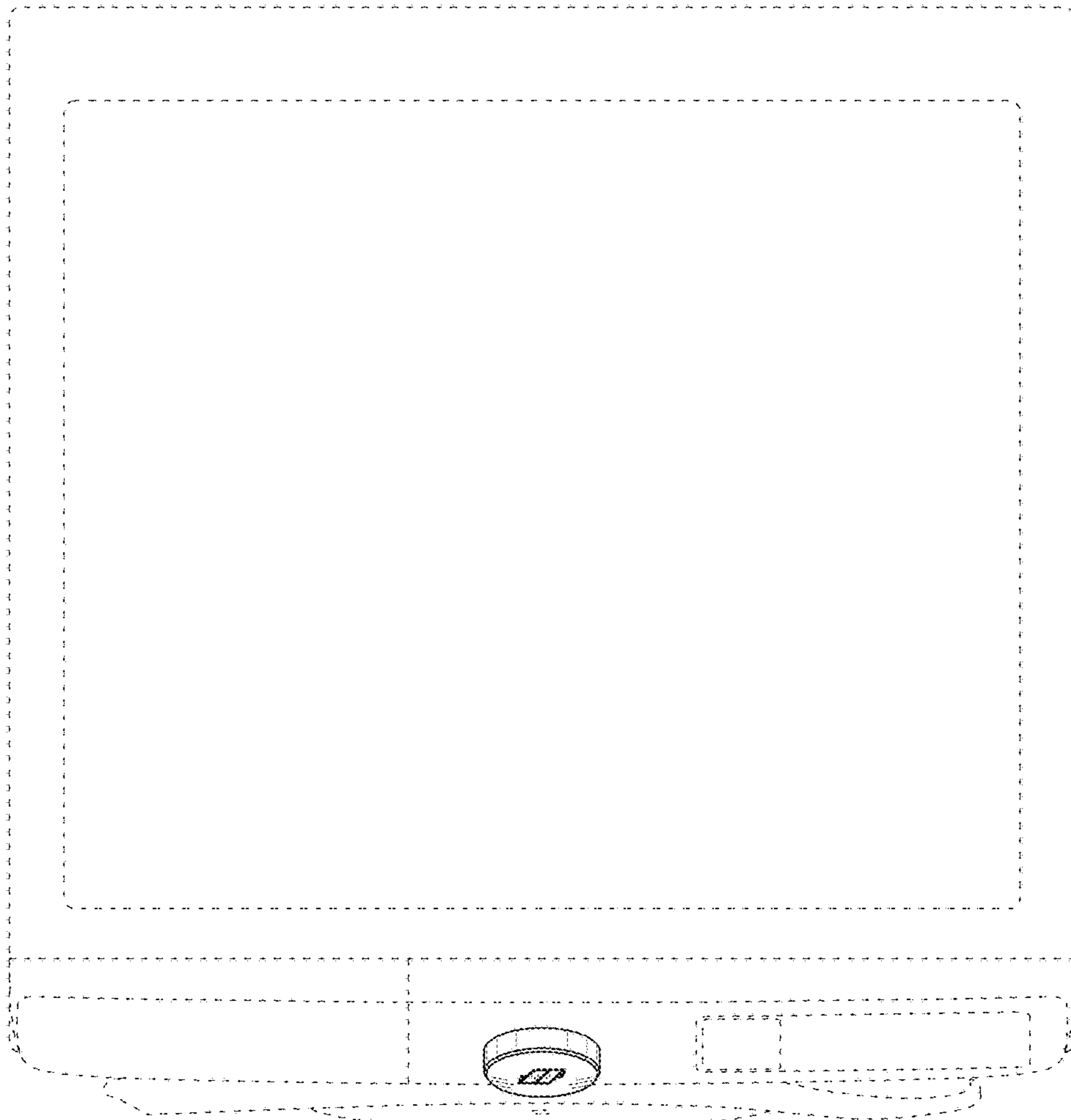




FIG. 7

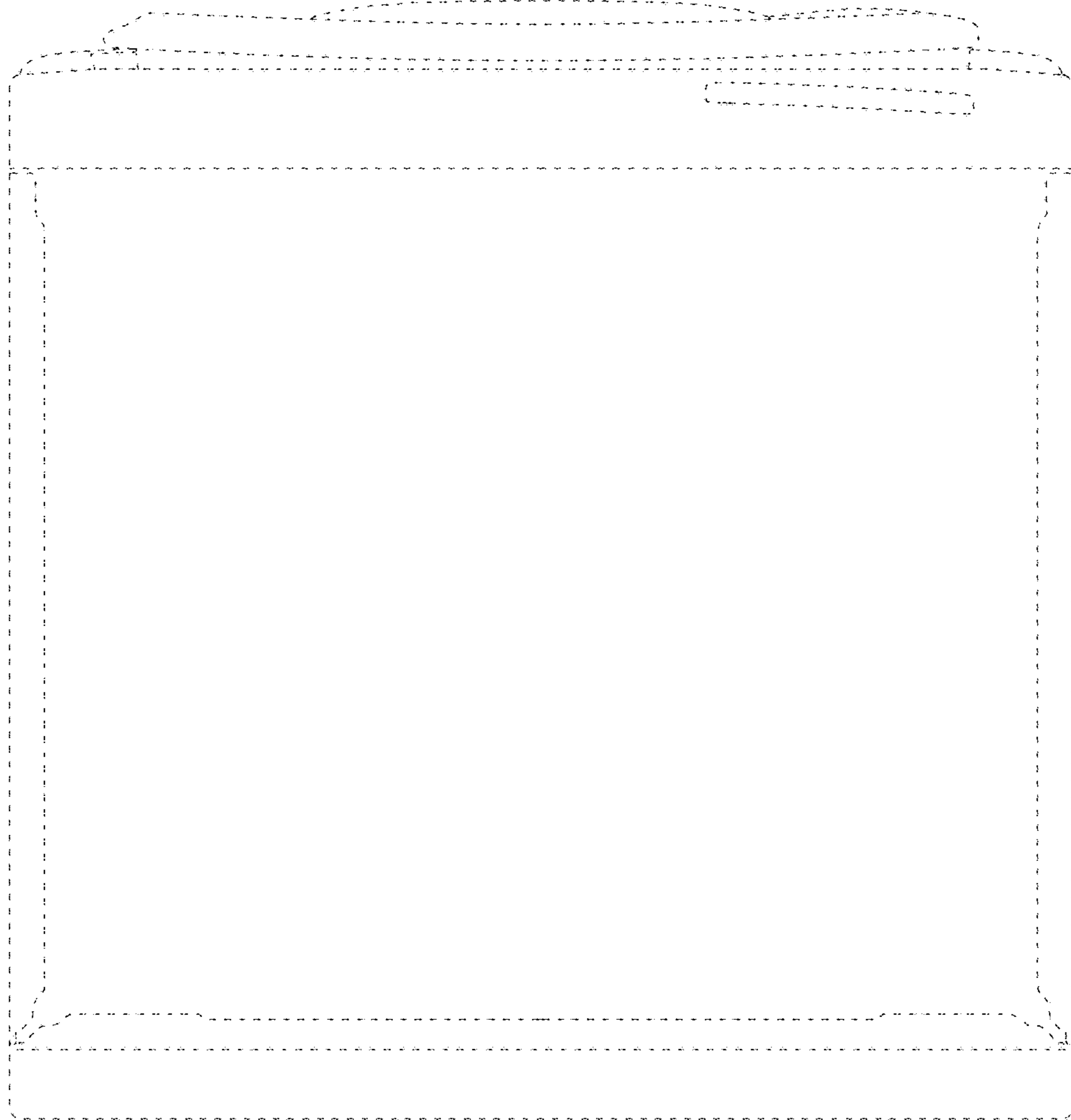


FIG. 8

