



US00D831910S

(12) **United States Design Patent** (10) **Patent No.:** **US D831,910 S**
Antal et al. (45) **Date of Patent:** **** Oct. 23, 2018**

(54) **DART HAVING BRISTLES AND A SCRAPER**

(71) Applicant: **National Heat Exchange Cleaning Corporation**, Columbiana, OH (US)

(72) Inventors: **Brian D. Antal**, Fombell, PA (US);
Carroll E. Joseph, Leetonia, OH (US)

(73) Assignee: **National Heat Exchange Cleaning Corp.**, Youngstown, OH (US)

(**) Term: **14 Years**

(21) Appl. No.: **29/523,405**

(22) Filed: **Apr. 9, 2015**

(51) **LOC (11) Cl.** **15-05**

(52) **U.S. Cl.**
USPC **D32/25**

(58) **Field of Classification Search**
USPC D32/25, 35, 14; D4/131, 100, 102, 121;
15/104.31, 104.061, 16; D8/70
CPC B08B 9/045; B08B 1/04
See application file for complete search history.

(56) **References Cited**

U.S. PATENT DOCUMENTS

D450,458 S *	11/2001	Varriale	D4/128
D454,003 S *	3/2002	Saxon	D4/102
D456,144 S *	4/2002	Cheung	D4/128
D554,374 S *	11/2007	Franzino	D4/118
D601,347 S *	10/2009	Wales	D4/122
D601,688 S *	10/2009	Abe	D23/386
D650,471 S *	12/2011	Du	D23/268
D651,773 S *	1/2012	Antal	D32/14
D653,038 S *	1/2012	Park	D4/128
D691,814 S *	10/2013	Gonzalez-Gomez	D4/131
8,800,191 B2 *	8/2014	Williams	F41A 29/02 15/104.2

D752,881 S *	4/2016	Chang	D4/138
D792,711 S *	7/2017	Hou	D4/133
2012/0042461 A1 *	2/2012	Antal	B08B 9/057 15/104.05
2014/0059792 A1 *	3/2014	Naccour	A46B 9/023 15/160

* cited by examiner

Primary Examiner — Ian Simmons

Assistant Examiner — Yolanda Robinson

(74) *Attorney, Agent, or Firm* — The Webb Law Firm

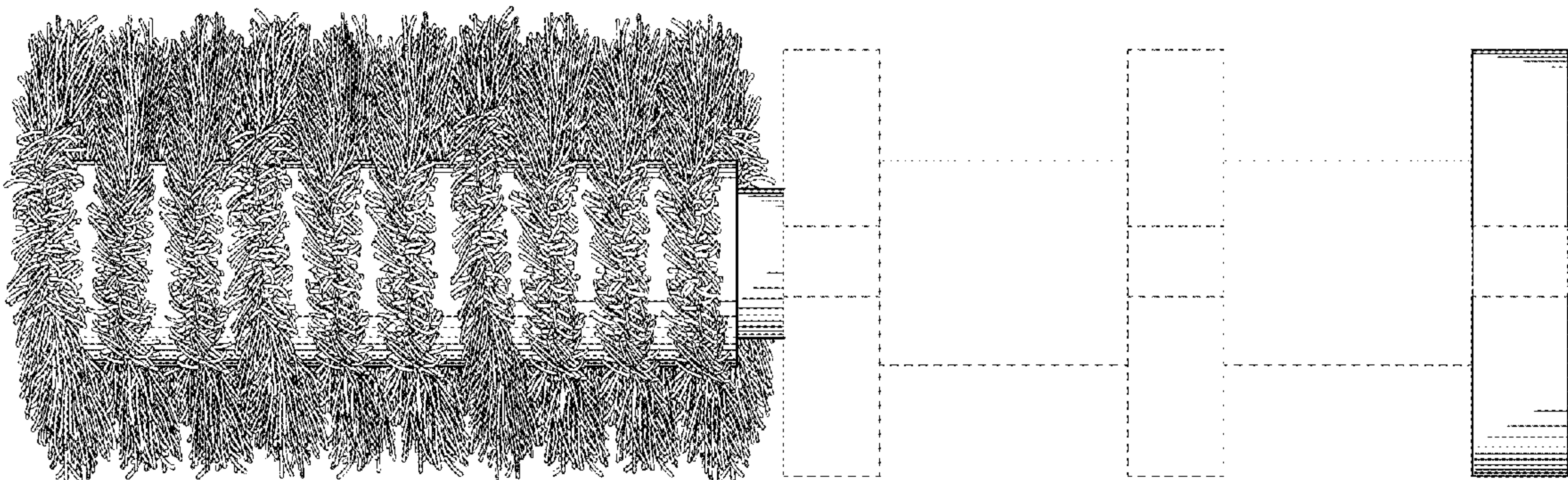
(57) **CLAIM**

The ornamental design for a dart having bristles and a scraper, as shown and described.

DESCRIPTION

FIG. 1 is a front view of a dart having bristles and a scraper showing our new design in accordance with one embodiment of the present invention;
 FIG. 2 is a rear view thereof;
 FIG. 3 is a right side view thereof;
 FIG. 4 is a left side view thereof;
 FIG. 5 is a top view thereof;
 FIG. 6 is a bottom view thereof; and
 FIG. 7 is an upper left bottom perspective view thereof.
 FIG. 8 is a front view of a dart having bristles and a scraper showing our new design in accordance with a second embodiment of the present invention;
 FIG. 9 is a rear view thereof;
 FIG. 10 is a right side view thereof;
 FIG. 11 is a left side view thereof;
 FIG. 12 is a top view thereof;
 FIG. 13 is a bottom view thereof; and,
 FIG. 14 is an upper left bottom perspective view thereof.
 The broken lines shown represent unclaimed subject matter and form no part of the claimed design.

1 Claim, 14 Drawing Sheets



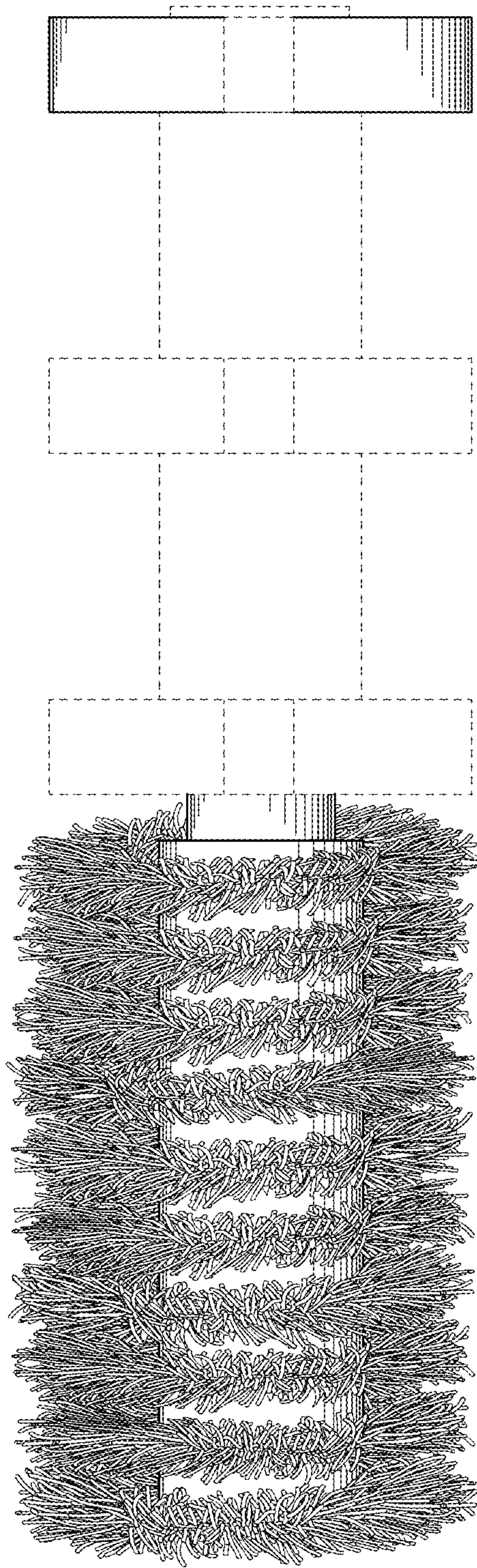


FIG. 1

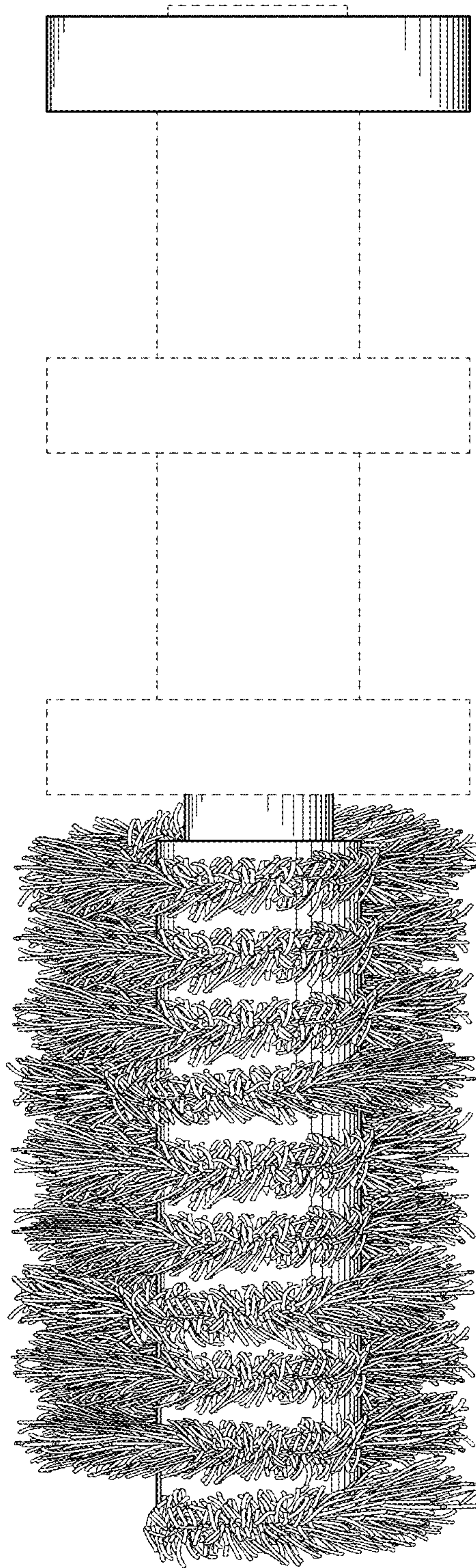


FIG. 2

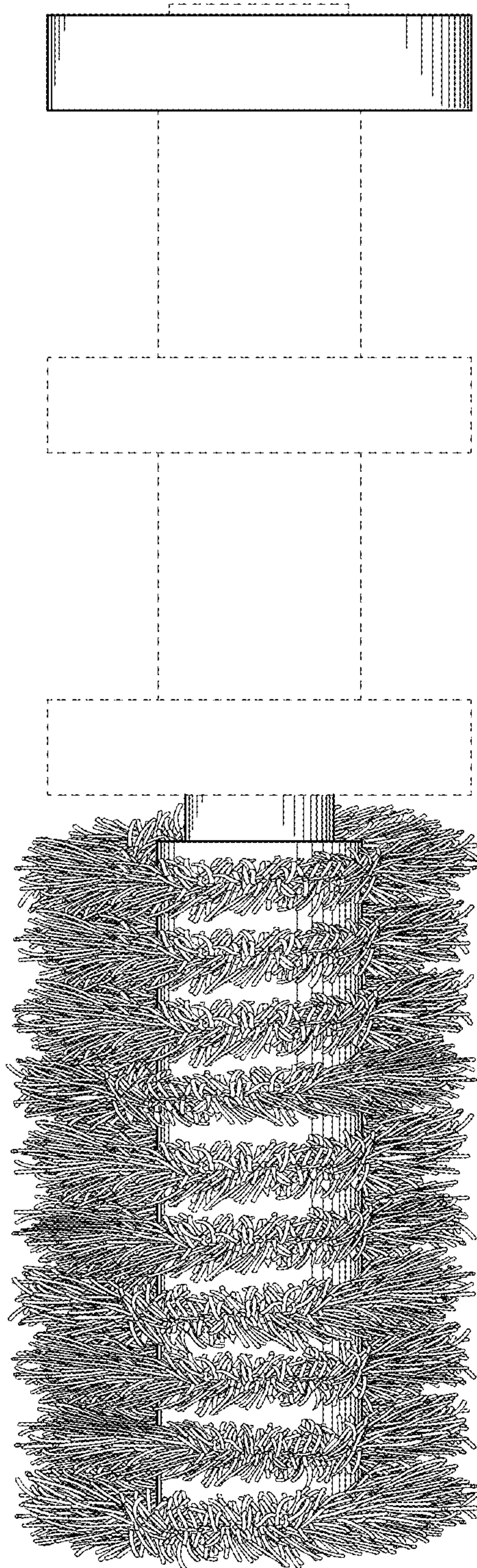


FIG. 3

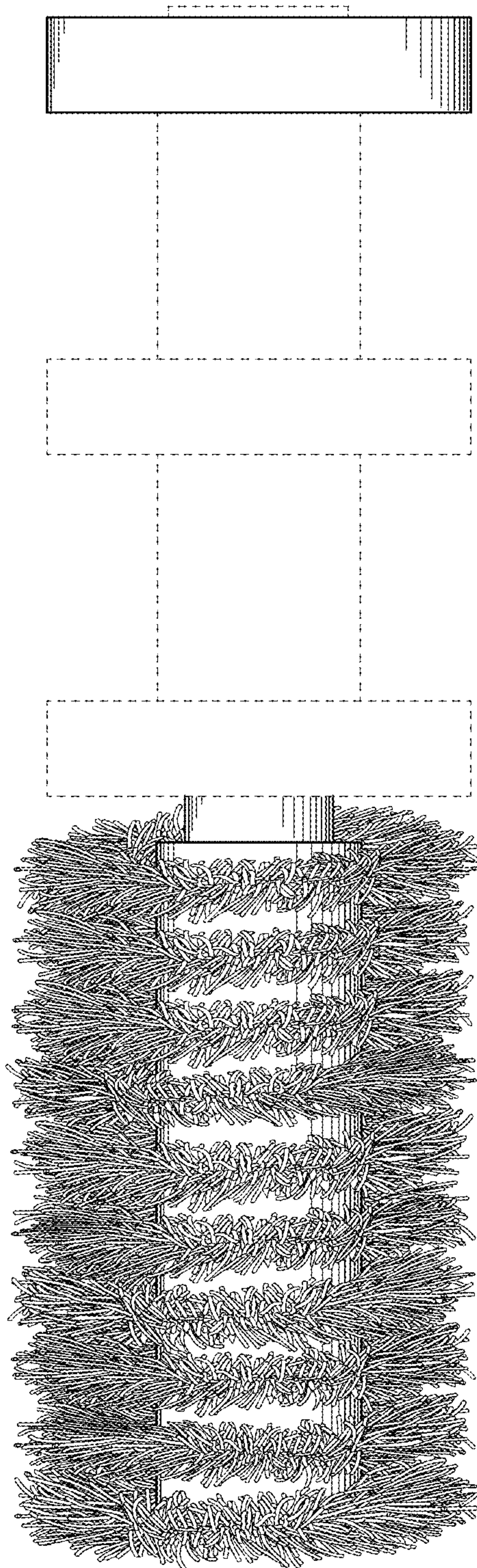


FIG. 4

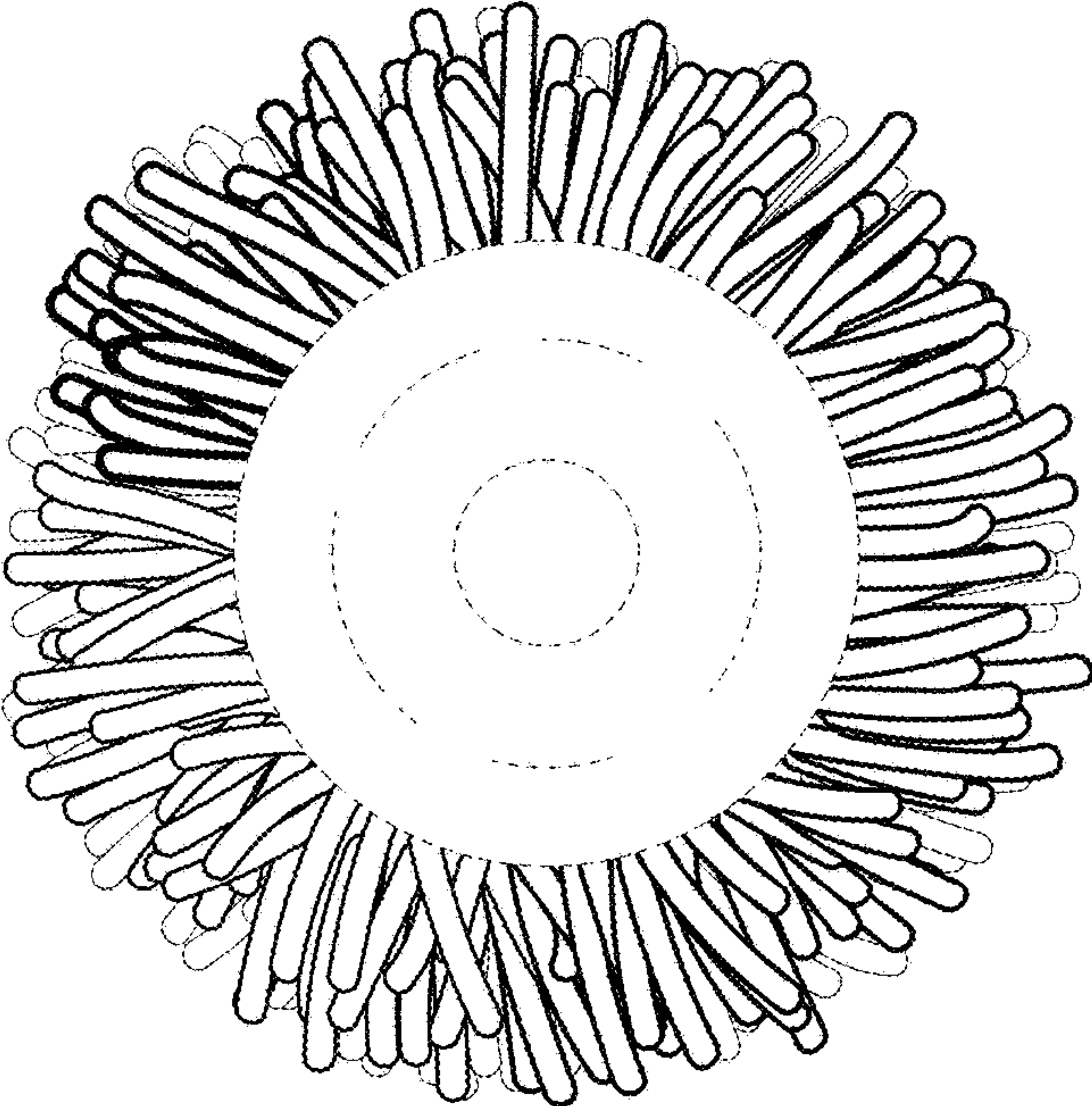


FIG. 5

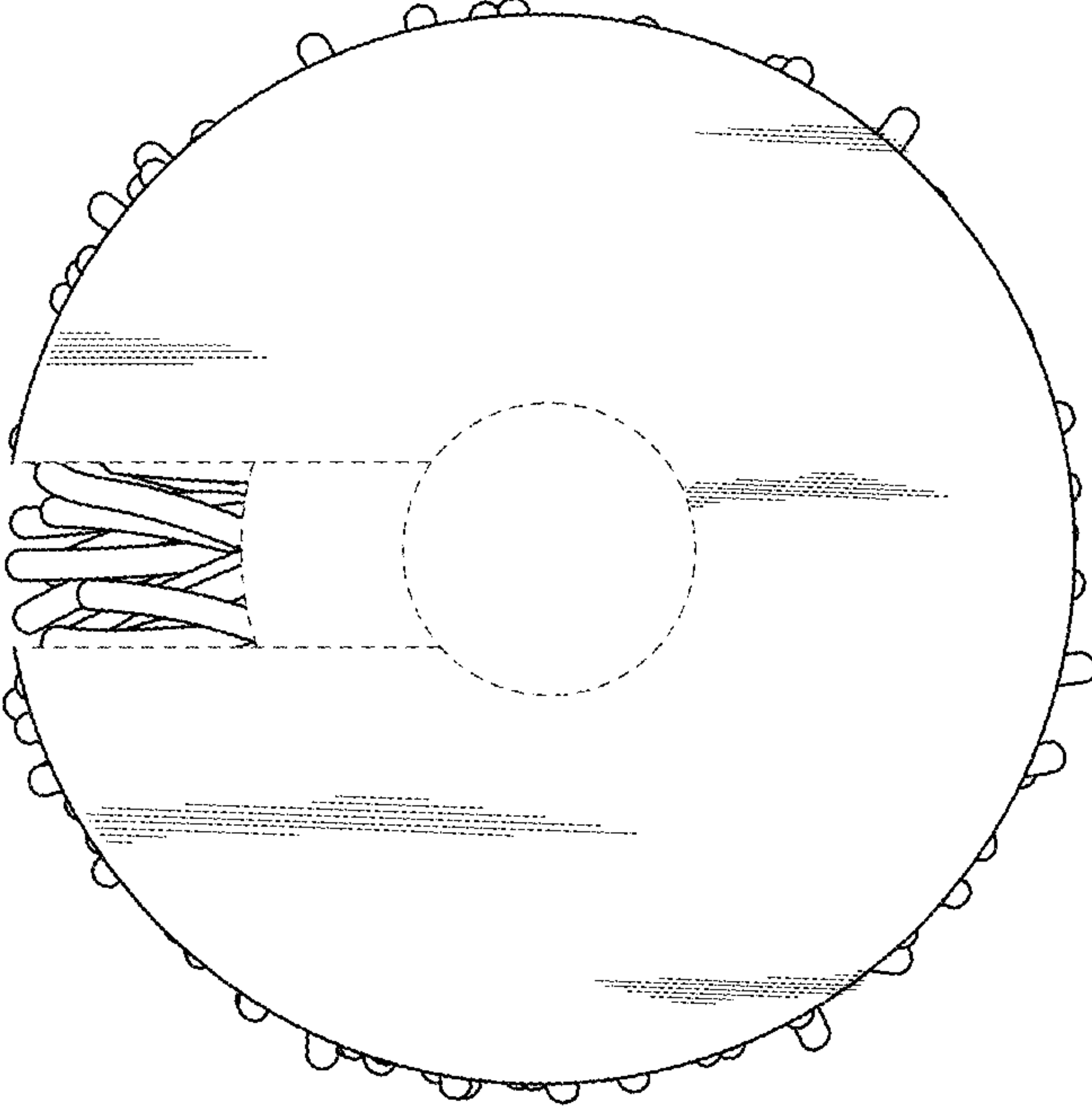


FIG. 6

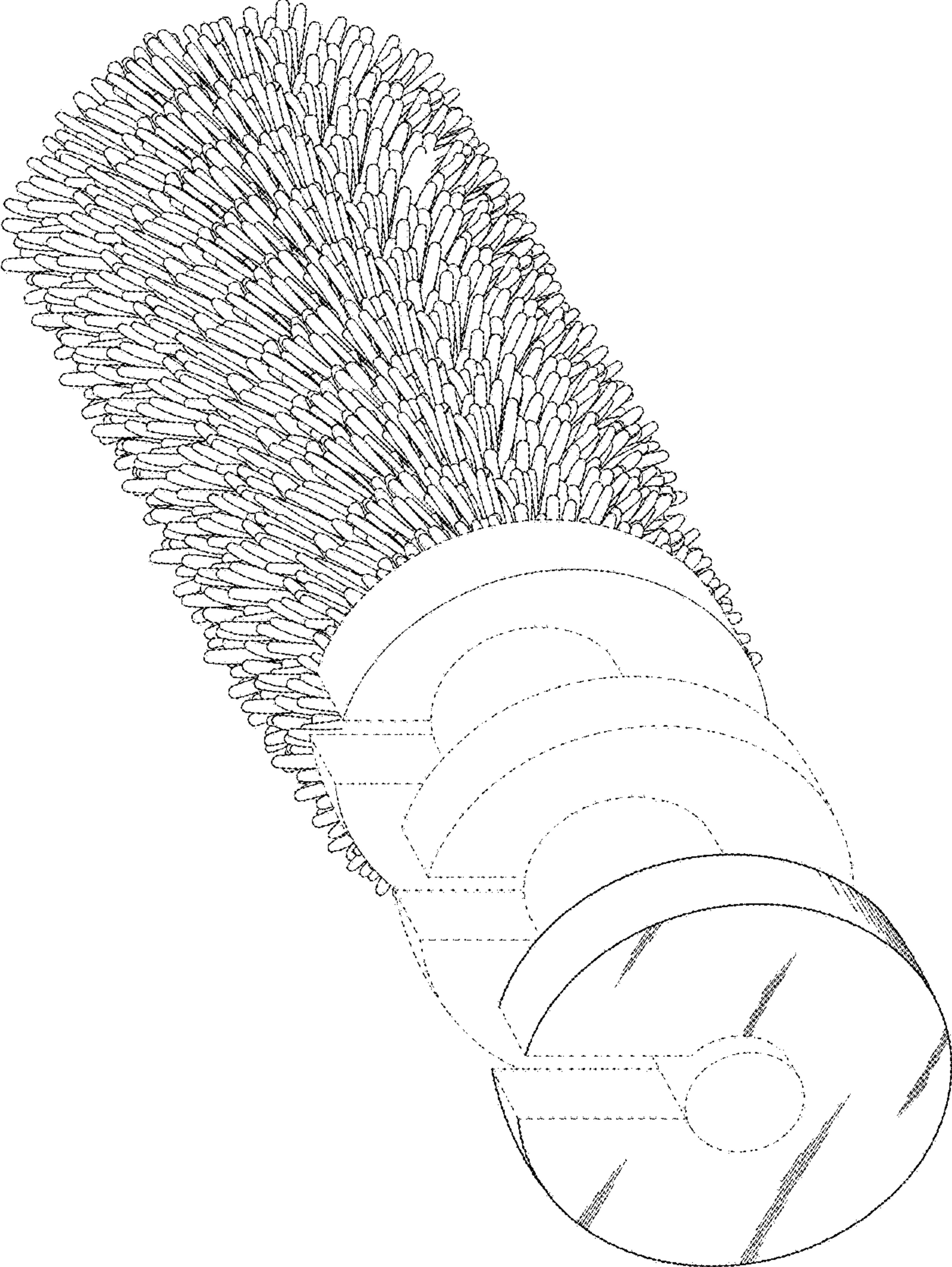


FIG. 7

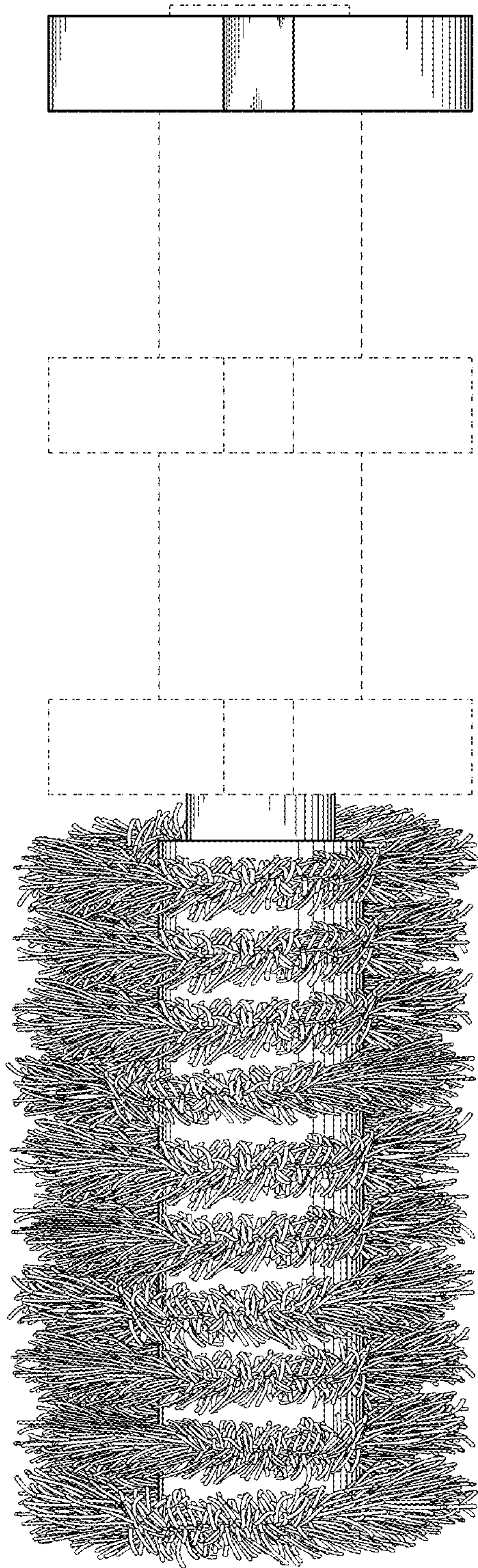


FIG. 8

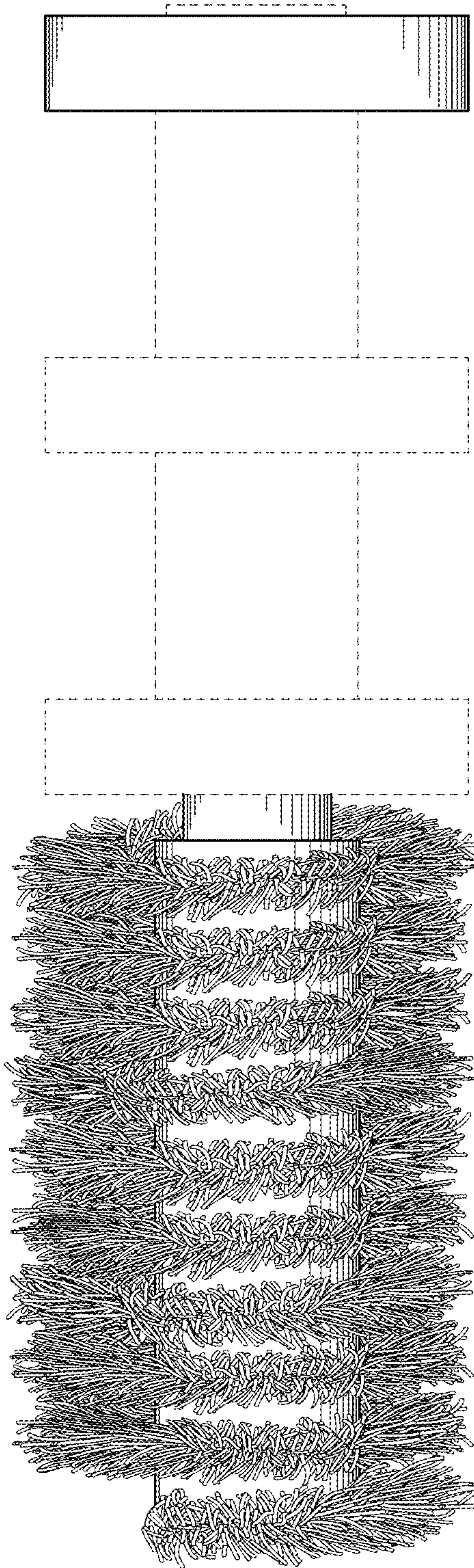


FIG. 9

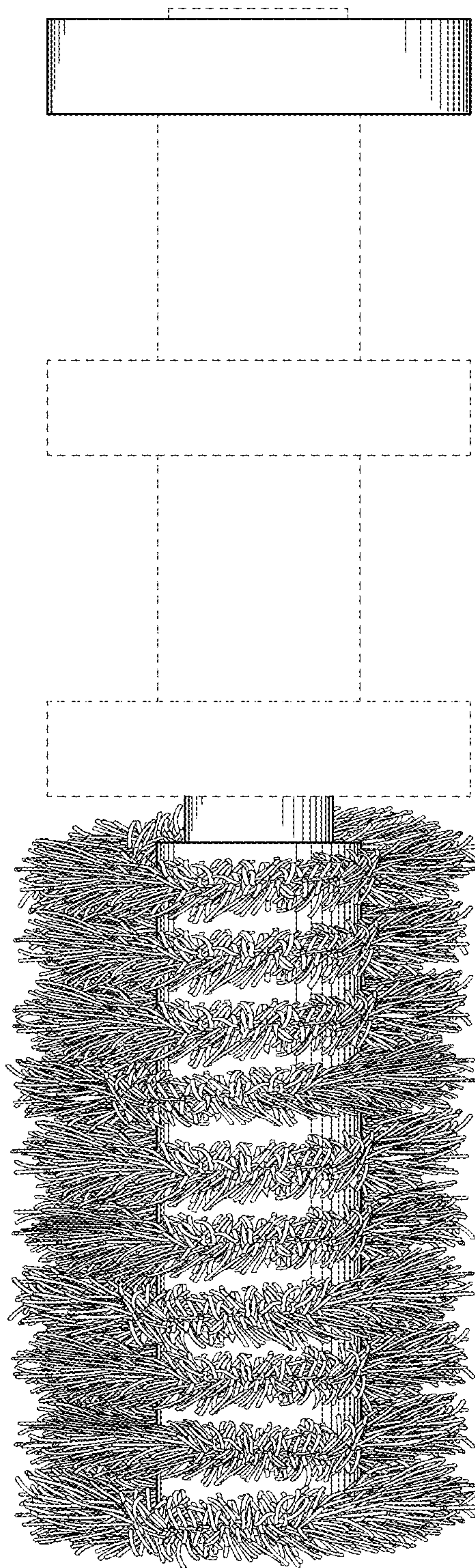


FIG. 10

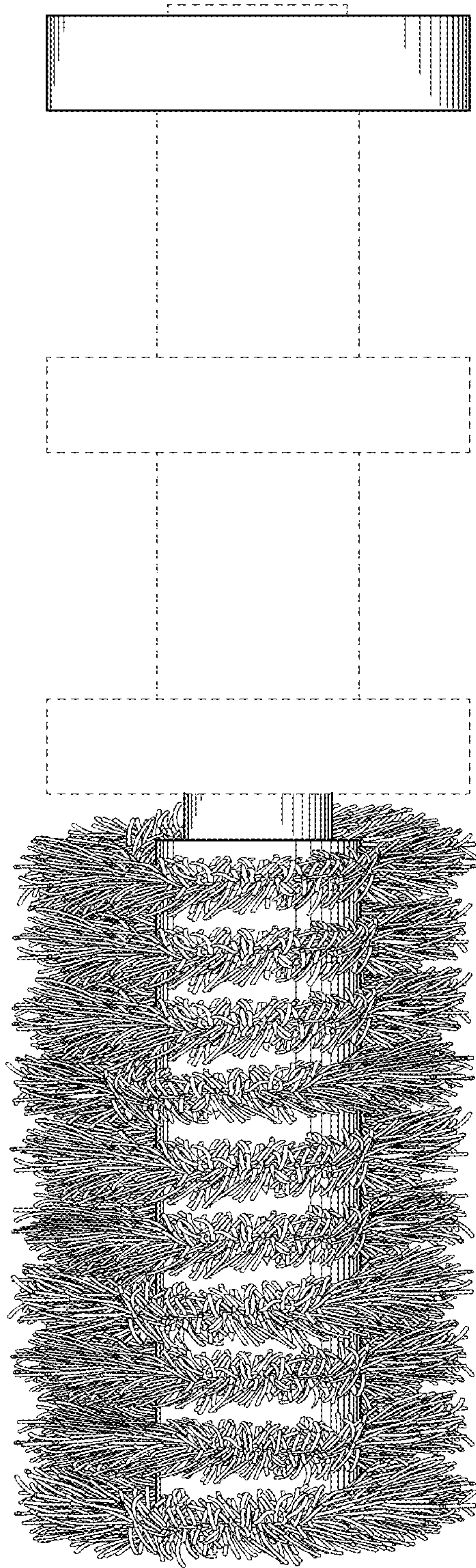


FIG. 11

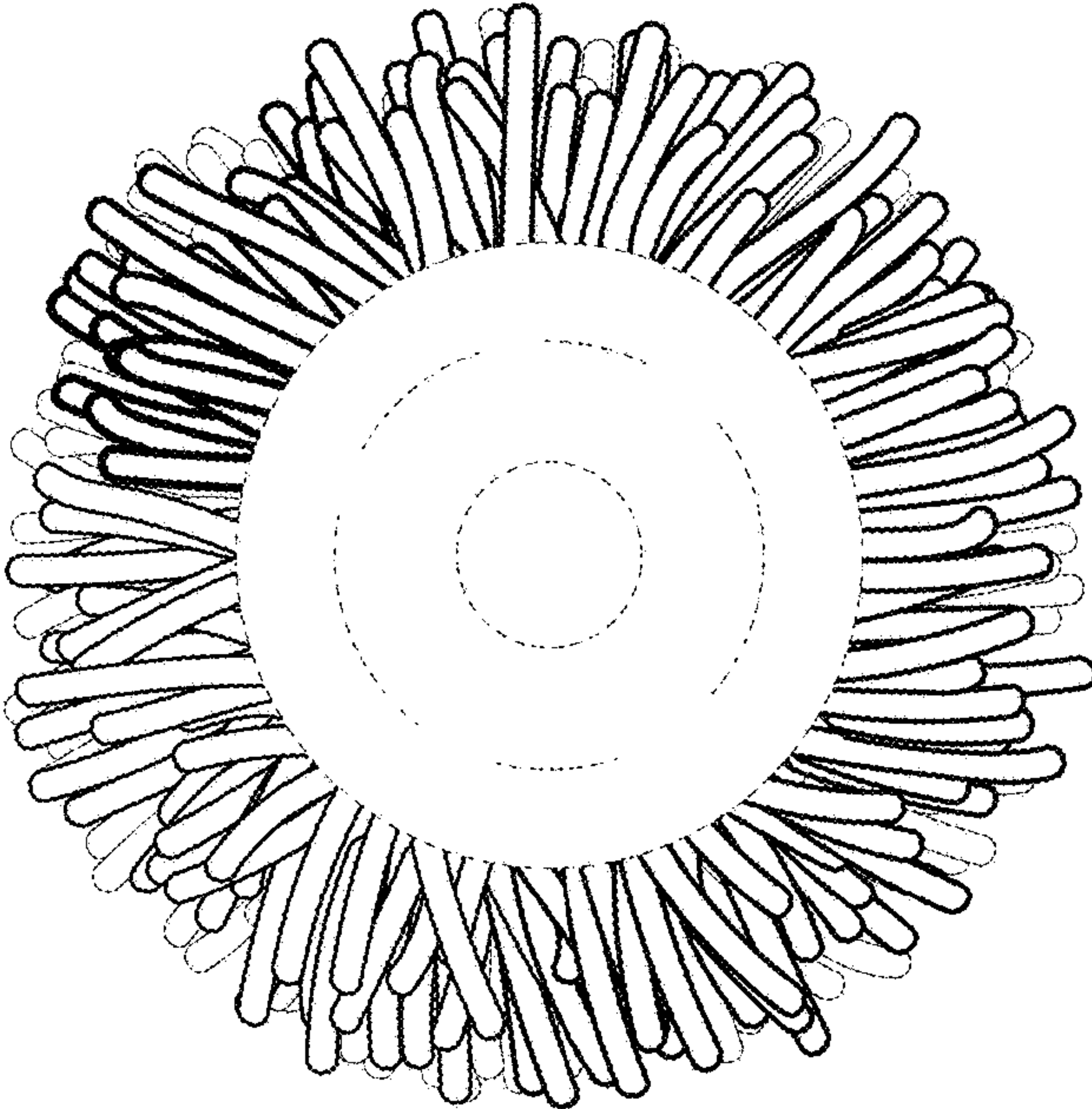


FIG. 12

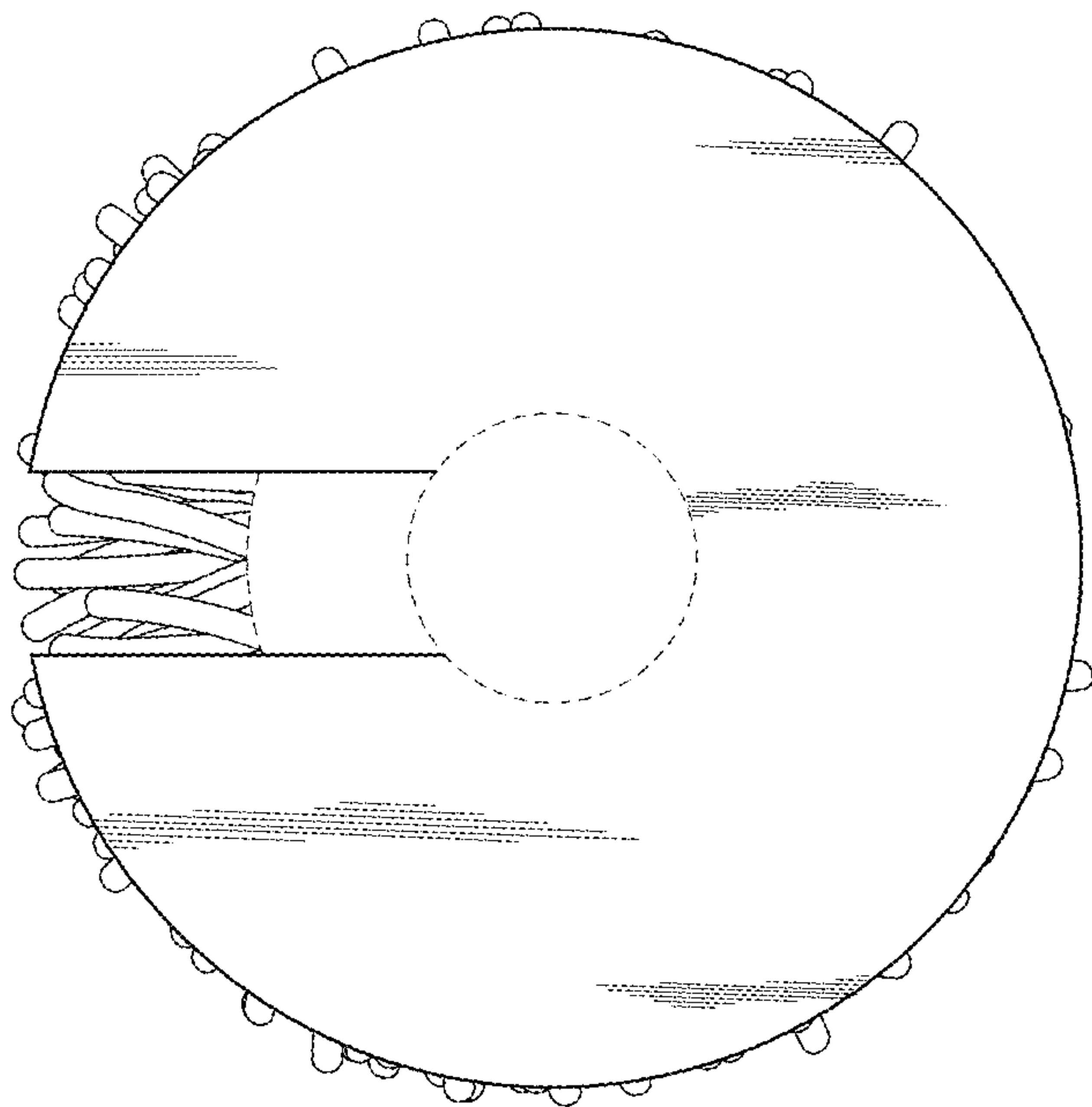


FIG. 13

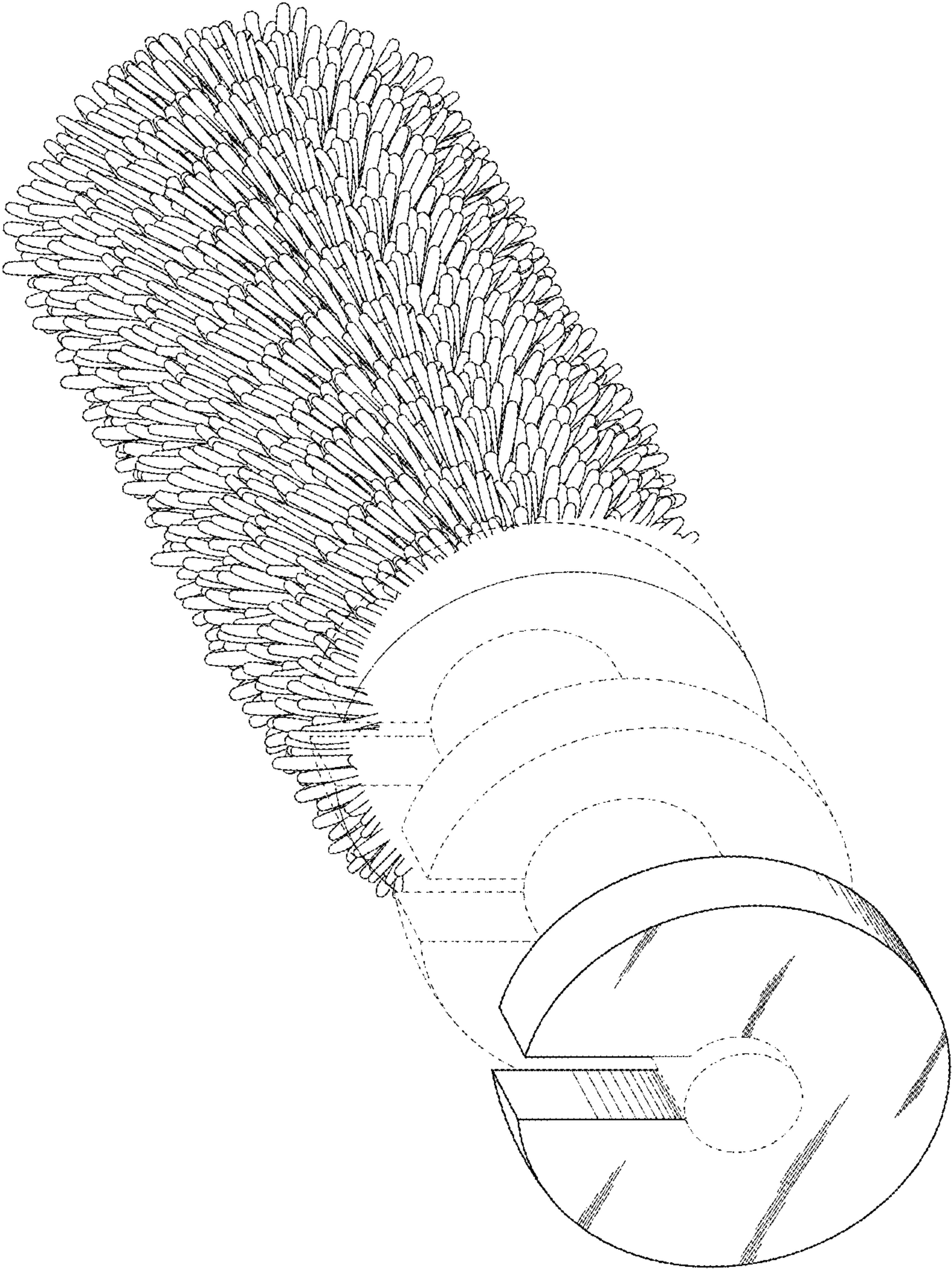


FIG. 14