



US00D831908S

(12) **United States Design Patent** (10) **Patent No.:** **US D831,908 S**
Tyler et al. (45) **Date of Patent:** **** Oct. 23, 2018**

(54) **FLOOR CLEANING DEVICE**

FOREIGN PATENT DOCUMENTS

(71) Applicant: **Techtronic Floor Care Technology Limited**, Tortola (VG)

CA 112007 7/2005
GB 2020415 4/1992
GB 3021018 7/2005

(72) Inventors: **Jake Tyler**, Birmingham (GB);
Matthew J. Ward, East Yorkshire (GB)

OTHER PUBLICATIONS

(73) Assignee: **Techtronic Floor Care Technology Limited**, Tortola (VG)

Co-pending U.S. Appl. No. 29/497,866, filed Jul. 29, 2014.
(Continued)

(**) Term: **15 Years**

Primary Examiner — Michelle E. Wilson

(21) Appl. No.: **29/567,390**

(74) *Attorney, Agent, or Firm* — Michael Best & Friedrich LLP

(22) Filed: **Jun. 8, 2016**

Related U.S. Application Data

(63) Continuation of application No. 29/471,562, filed on Nov. 1, 2013, now Pat. No. Des. 761,505.

(57) **CLAIM**

We claim the ornamental design for a floor cleaning device, as shown and described.

(30) **Foreign Application Priority Data**

May 2, 2013 (CN) 2013 3 0152424
May 2, 2013 (CN) 2013 3 0152558
May 2, 2013 (CN) 2013 3 0152641

DESCRIPTION

(51) **LOC (11) Cl.** **15-05**

(52) **U.S. Cl.**
USPC **D32/15**

(58) **Field of Classification Search**
USPC D32/15, 20, 22, 34, 31, 50, 25, 51, 38;
D4/137
CPC A47L 9/2857; A47L 9/02; A47L 13/146;
A47L 13/12; A47L 13/20
See application file for complete search history.

FIG. 1 is a perspective view of a floor cleaning device embodying the invention;
FIG. 2 is a left side view of the floor cleaning device of FIG. 1;
FIG. 3 is a right side view of the floor cleaning device of FIG. 1;
FIG. 4 is a front view of the floor cleaning device of FIG. 1;
FIG. 5 is a rear view of the floor cleaning device of FIG. 1;
FIG. 6 is a top view of the floor cleaning device of FIG. 1; and,
FIG. 7 is a bottom view of the floor cleaning device of FIG. 1.

(56) **References Cited**

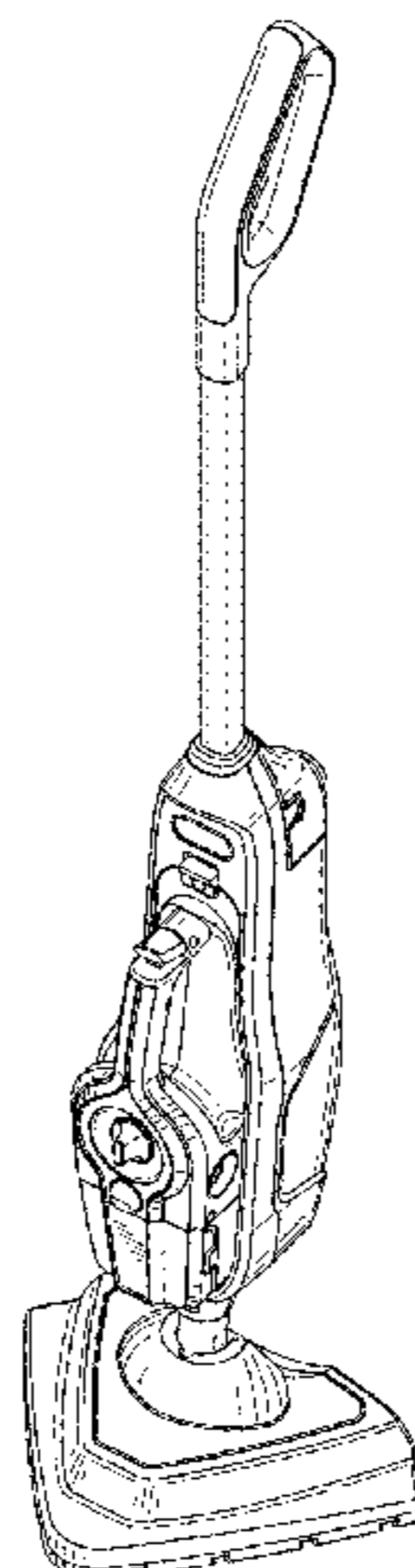
U.S. PATENT DOCUMENTS

D219,234 S 11/1970 Schucker
D219,348 S 12/1970 Anderson
4,380,844 A * 4/1983 Waldhauser A47L 11/30
15/320

The elements shown in broken lines are included for the purpose of illustrating environment and form no part of the claimed design.

(Continued)

1 Claim, 4 Drawing Sheets



(56)

References Cited

U.S. PATENT DOCUMENTS

4,559,665 A 12/1985 Fitzwater
 D290,054 S * 5/1987 Block D32/15
 D345,830 S 4/1994 Furcron et al.
 D346,247 S 4/1994 Furcron et al.
 5,347,679 A 9/1994 Saunders et al.
 D358,241 S 5/1995 Bradd
 D365,179 S 12/1995 Bradd
 D399,615 S 10/1998 Hajjar et al.
 5,896,613 A 4/1999 Courtney et al.
 D425,268 S 5/2000 Morokutti
 D435,947 S 1/2001 Paterson et al.
 D436,426 S 1/2001 Paterson et al.
 D443,121 S 5/2001 Hamm et al.
 D495,456 S 8/2004 Ågren et al.
 6,865,777 B2 3/2005 Comstock
 D518,612 S 4/2006 Parr et al.
 D519,695 S 4/2006 Verdura
 D547,069 S 7/2007 Braithwaite et al.
 D549,415 S 8/2007 Trotter et al.
 D549,905 S 8/2007 Bobrosky et al.
 D558,943 S 1/2008 Labarbera
 D568,015 S 4/2008 Ponikvar et al.
 D568,016 S 4/2008 Ponikvar et al.
 D573,760 S 7/2008 Lam
 D589,668 S 3/2009 Byrne
 D593,717 S * 6/2009 Vernazza D32/16
 7,540,056 B2 6/2009 Dotterman et al.
 D615,717 S 5/2010 Butts et al.
 D642,343 S * 7/2011 Dammkoehler D32/16
 D647,677 S 10/2011 Dammkoehler
 D651,777 S 1/2012 Dammkoehler
 D653,414 S 1/2012 Genoa et al.
 D659,308 S * 5/2012 Dammkoehler D32/16
 D661,853 S * 6/2012 Dammkoehler D32/16
 D673,336 S 12/2012 Kandasamy et al.
 D693,071 S * 11/2013 Dammkoehler D32/16
 D694,969 S * 12/2013 Dammkoehler D32/16
 D712,605 S * 9/2014 Dammkoehler D32/21

D734,573 S * 7/2015 Dammkoehler D32/16
 D737,005 S * 8/2015 Dammkoehler D32/16
 2005/0081319 A1 * 4/2005 Legatt A47L 11/03
 15/320
 2005/0091783 A1 * 5/2005 Sepke A47L 9/0483
 15/320
 2006/0185113 A1 * 8/2006 Kloeppe A47L 11/03
 15/320
 2008/0104792 A1 * 5/2008 Coccapani A47L 11/30
 15/320
 2011/0030163 A1 * 2/2011 Tucker A47L 11/305
 15/320
 2011/0132402 A1 * 6/2011 Ickes, III A47L 11/40
 134/18
 2012/0317746 A1 * 12/2012 Hill A47L 11/302
 15/320
 2013/0047353 A1 * 2/2013 Windmeisser A47L 11/302
 15/3
 2014/0026336 A1 * 1/2014 Maurer A47L 11/4091
 15/3
 2014/0144467 A1 * 5/2014 Merz A47L 11/4055
 134/6
 2016/0073845 A1 * 3/2016 Walz A47L 11/305
 134/18
 2016/0278598 A1 * 9/2016 Werner A47L 11/2025

OTHER PUBLICATIONS

Co-pending U.S. Appl. No. 29/497,871, filed Jul. 29, 2014.
 Co-pending U.S. Appl. No. 29/497,874, filed Jul. 29, 2014.
 Best Tile for Bathroom Floor, Announced Jul. 31, 2012, [Site Visited Apr. 21, 2015] http://hotaskim.blogspot.com/2012_07_01_archive.html.
 Hoover Twin Tank Disinfecting Canister Steam Cleaner—WH20300 Review, Announced Apr. 26, 2012, [Site Visited Apr. 21, 2015] <http://www.beststeammops.org/hover-twintank-disinfecting-canister-steam-cleaner-wh20300-review>.

* cited by examiner

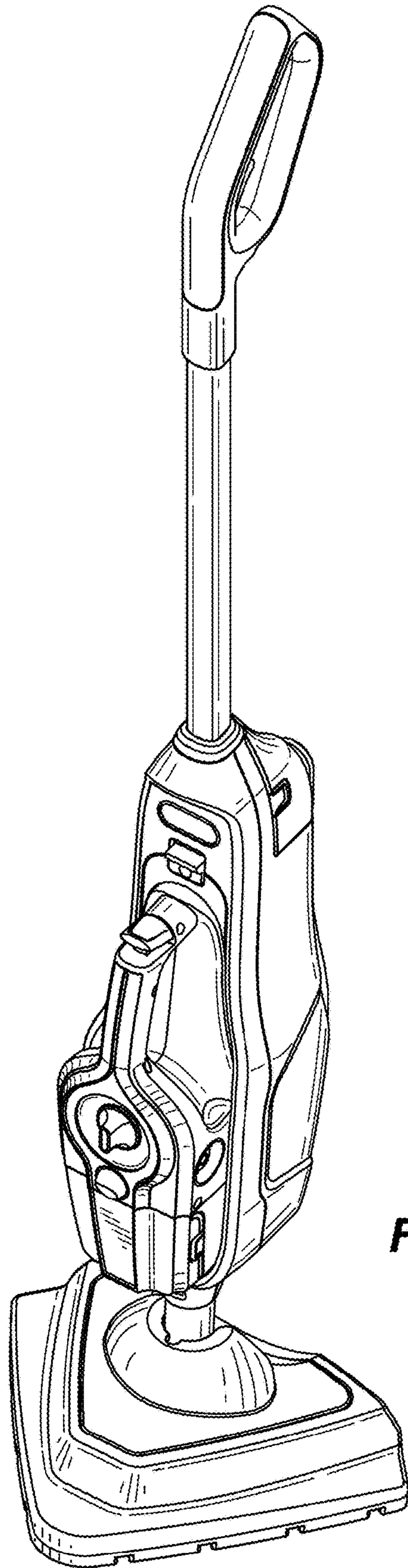


FIG. 1

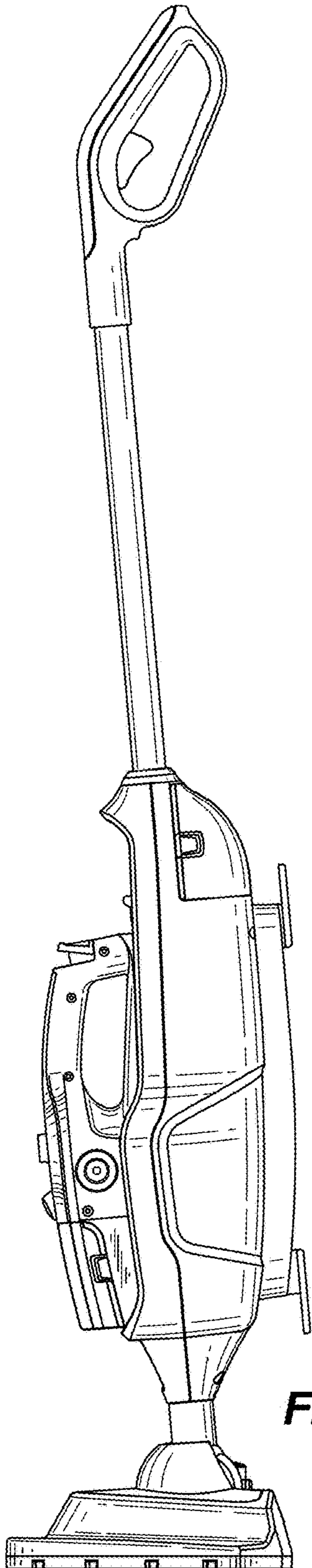


FIG. 2

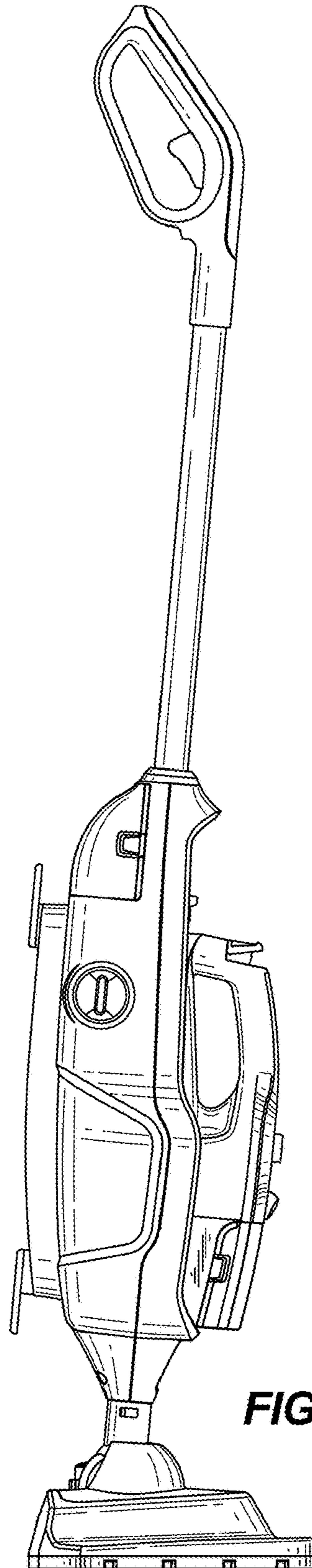
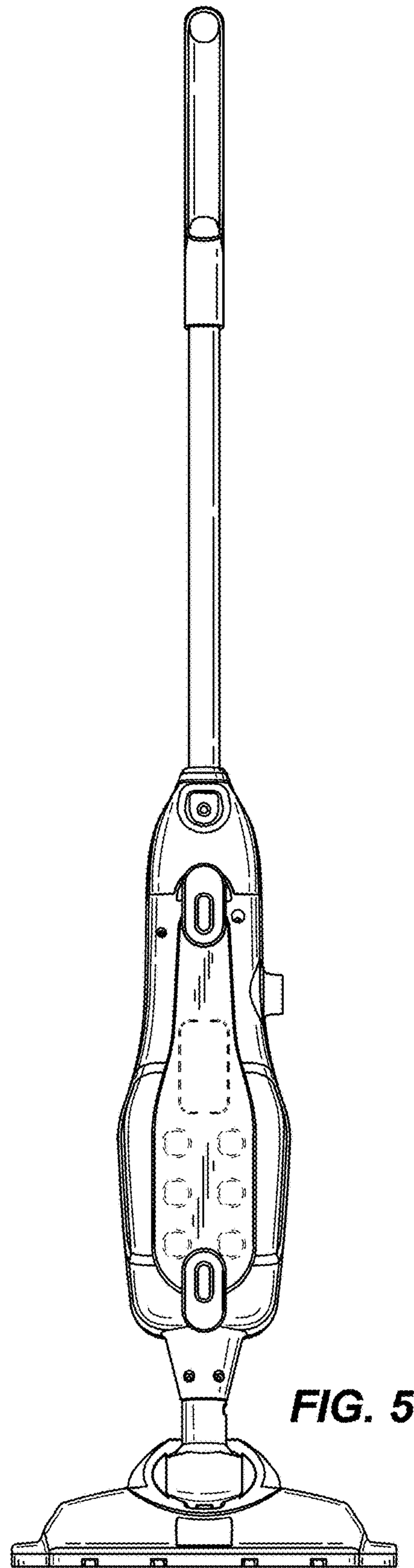
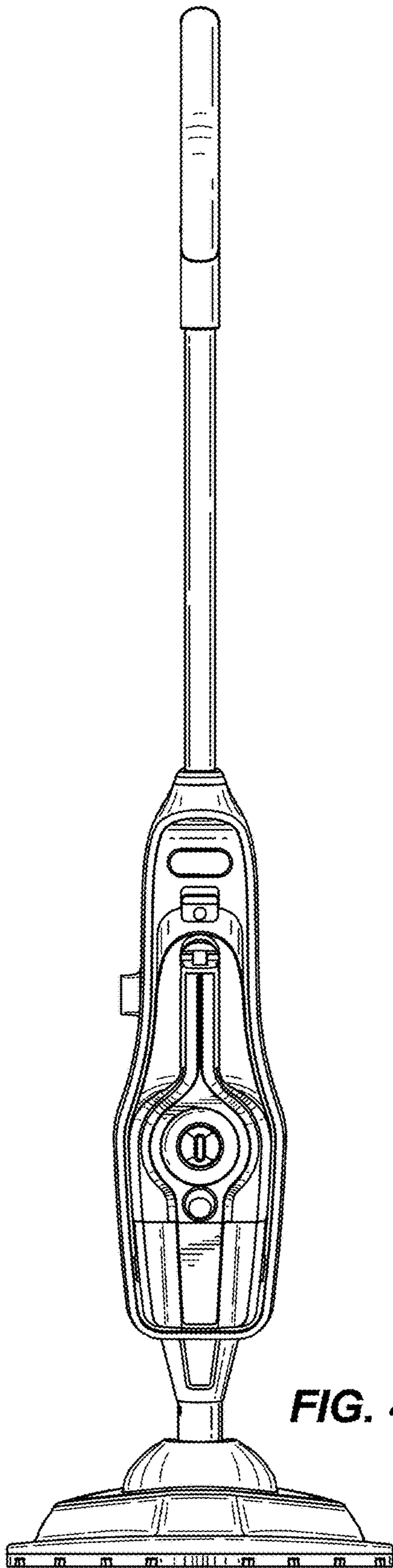


FIG. 3



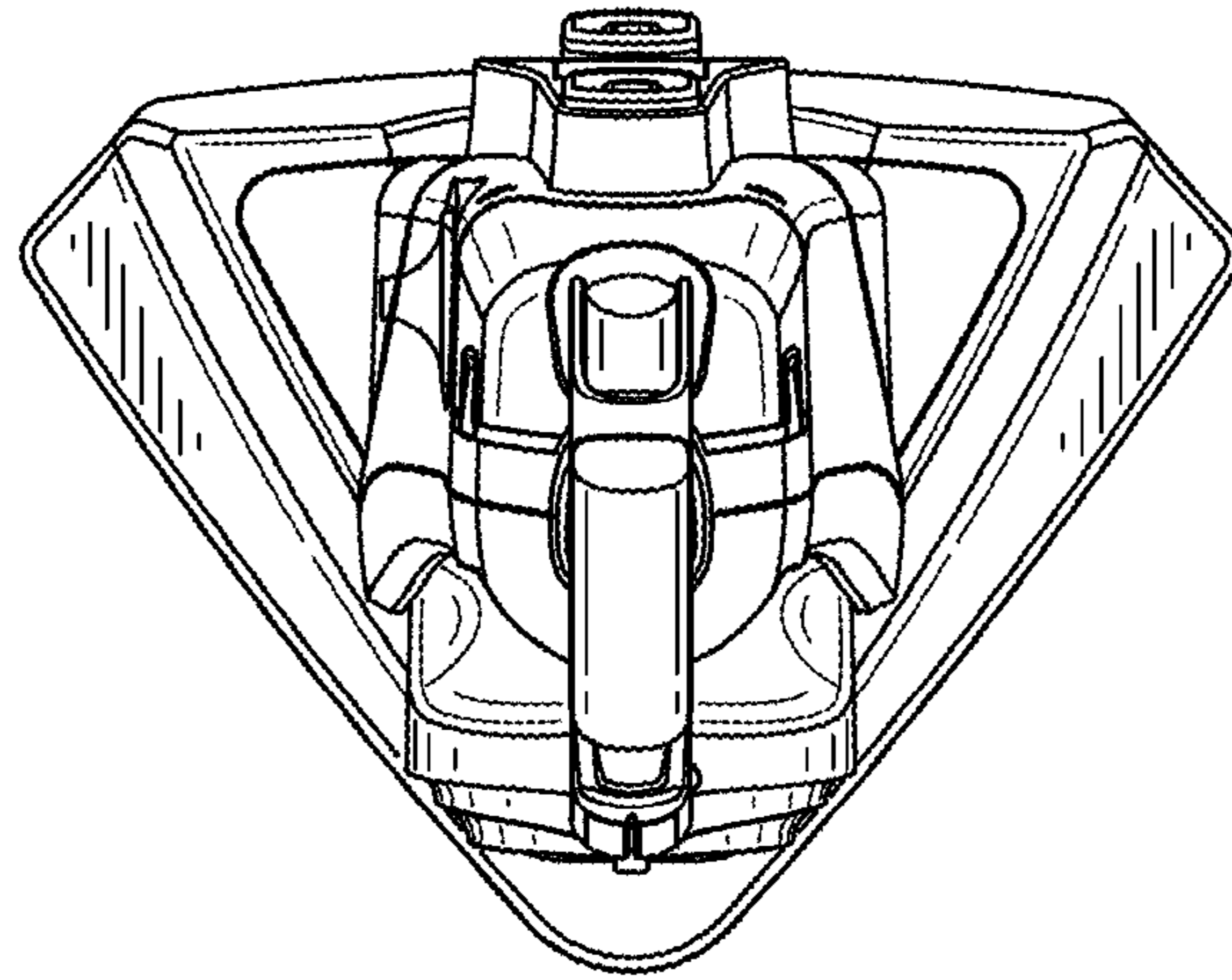


FIG. 6

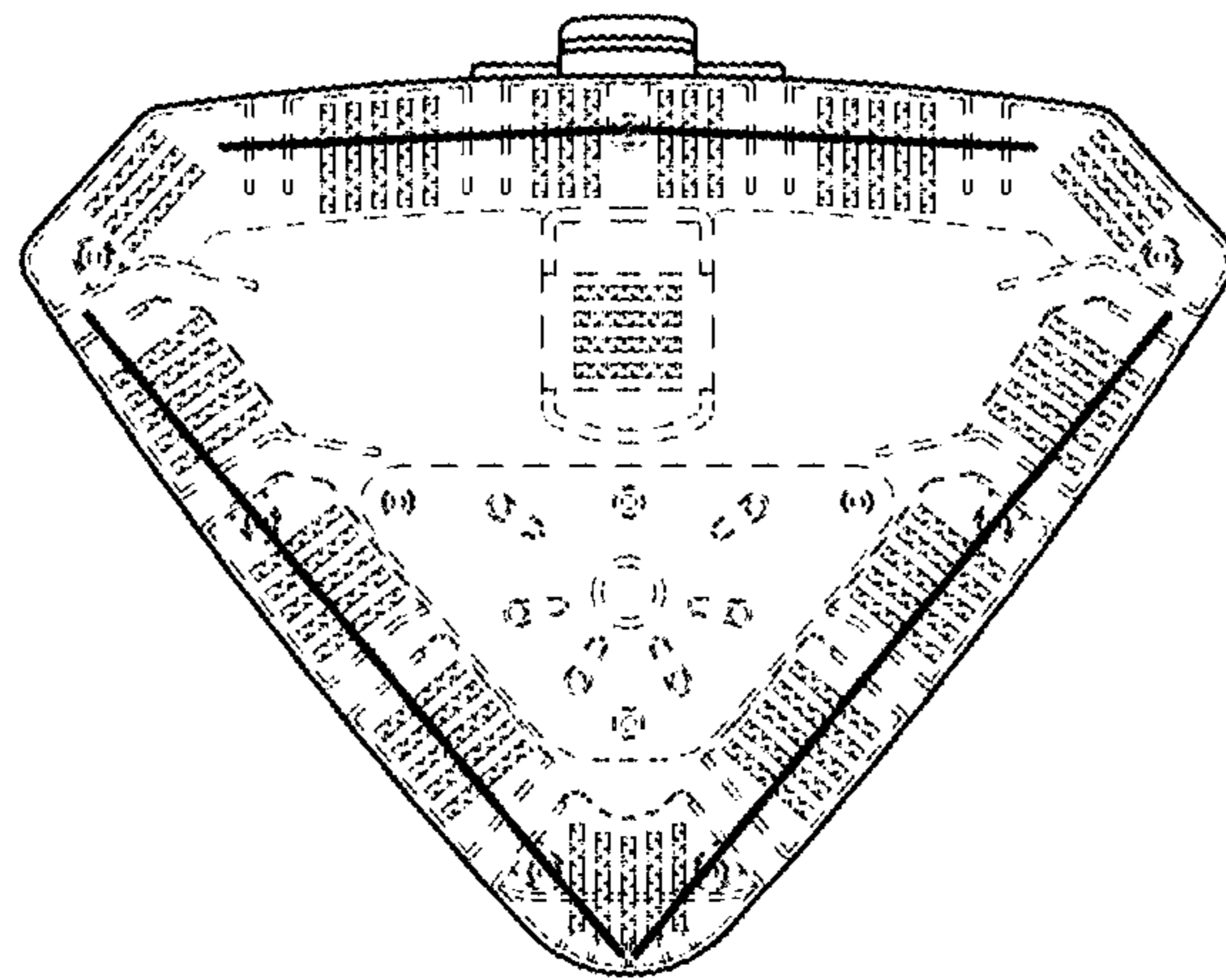


FIG. 7