



US00D831907S

(12) **United States Design Patent** (10) **Patent No.:** **US D831,907 S**
Bixby et al. (45) **Date of Patent:** **** Oct. 23, 2018**

- (54) **FRONTLOAD DRYING APPLIANCE** 4,429,817 A * 2/1984 Ikeda D06F 39/022
222/252
- (71) Applicant: **WHIRLPOOL CORPORATION,** D292,630 S 11/1987 Nagai et al.
Benton Harbor, MI (US) D360,500 S 7/1995 Millet et al.
D360,716 S 7/1995 Ertz et al.
- (72) Inventors: **Seth E. Bixby,** Stevensville, MI (US); D491,324 S * 6/2004 Kim D32/6
Richard K. Gresens, St. Joseph, MI D532,941 S * 11/2006 Carey D32/6
(US); **John W. McConnell,** St. Joseph, D538,488 S * 3/2007 Carey D32/6
MI (US); **Patrick J. Schiavone,** Benton D575,464 S 8/2008 Rossetto et al.
Harbor, MI (US); **Samuel B.** D630,807 S * 1/2011 Song D32/6
Breneman, St. Joseph, MI (US) D633,261 S * 2/2011 Song D32/6
D654,640 S * 2/2012 Song D32/6
(Continued)
- (73) Assignee: **Whirlpool Corporation,** Benton *Primary Examiner* — Michelle E. Wilson
Harbor, MI (US) (74) *Attorney, Agent, or Firm* — Price Heneveld LLP
- (**) Term: **15 Years** (57) **CLAIM**
- (21) Appl. No.: **29/613,479** We claim the ornamental design for a frontload drying
appliance, as shown.
- (22) Filed: **Aug. 10, 2017** **DESCRIPTION**

Related U.S. Application Data

- (62) Division of application No. 29/499,799, filed on Aug. 19, 2014, now Pat. No. Des. 798,511.
- (51) **LOC (11) Cl.** **15-05**
- (52) **U.S. Cl.**
USPC **D32/8**
- (58) **Field of Classification Search**
USPC D32/1, 5-6, 8, 25, 28, 29
CPC D06F 58/00; D06F 58/02; D06F 58/04;
D06F 58/20; D06F 23/04; G05B 19/042
See application file for complete search history.

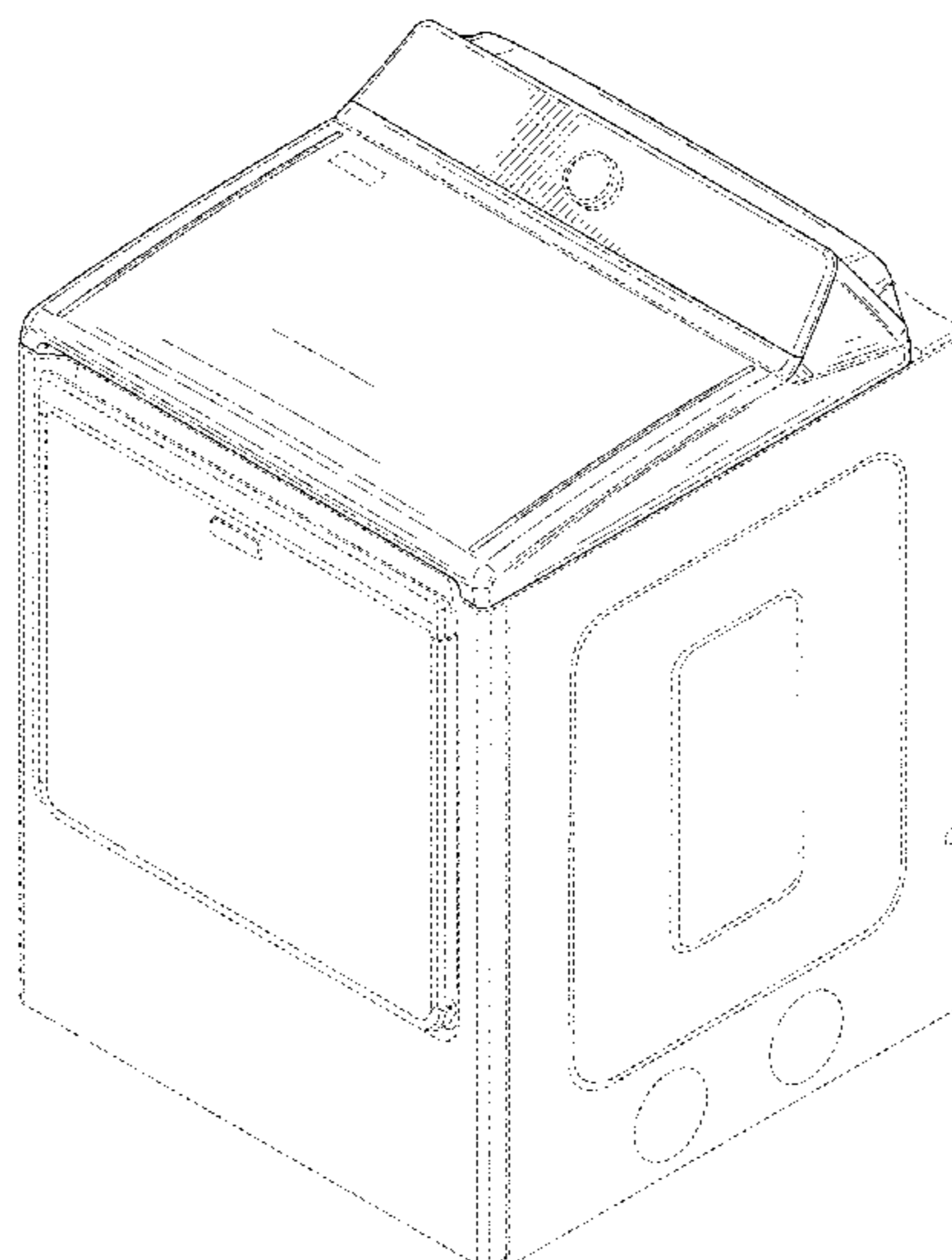
References Cited

U.S. PATENT DOCUMENTS

- 3,196,553 A 7/1965 Deaton et al.
- 3,972,130 A 8/1976 Mason
- 4,213,250 A 7/1980 Hawkins
- 4,307,588 A * 12/1981 Smith D06F 39/12
312/257.1

FIG. 1 is a first top perspective view of the frontload drying appliance of the present invention;
 FIG. 2 is a second top perspective view of the frontload drying appliance of the present invention;
 FIG. 3 is a top plan view of the frontload drying appliance of the present invention;
 FIG. 4 is a bottom plan view of the frontload drying appliance of the present invention;
 FIG. 5 is a first side elevation view of the frontload drying appliance of the present invention;
 FIG. 6 is a second side elevation view of the frontload drying appliance of the present invention;
 FIG. 7 is a third side elevation view of the frontload drying appliance of the present invention; and,
 FIG. 8 is a fourth side elevation view of the frontload drying appliance of the present invention.
 The broken lines in the figures show portions of the frontload drying appliance that forms no part of the claimed design.

1 Claim, 8 Drawing Sheets



(56)

References Cited

U.S. PATENT DOCUMENTS

D661,852	S	6/2012	Song et al.	
D679,462	S *	4/2013	Zhang	D32/6
D694,965	S *	12/2013	Lee	D32/6
D699,907	S *	2/2014	Choi	D32/28
D701,656	S *	3/2014	Choi	D32/6
D701,659	S	3/2014	Choi et al.	
D703,887	S	4/2014	Lee et al.	
D729,998	S *	5/2015	Jeon	D32/6
D730,597	S	5/2015	Jeon et al.	
D758,033	S *	5/2016	Bixby	D32/25
D762,021	S *	7/2016	Qin	D32/6
D771,888	S *	11/2016	Kim	D32/28
D793,012	S *	7/2017	Bixby	D32/6
D793,632	S *	8/2017	Ayers	D32/6
D798,005	S *	9/2017	Bixby	D32/6
D798,510	S *	9/2017	Bixby	D32/6
D798,511	S *	9/2017	Bixby	D32/6
D812,323	S *	3/2018	Bixby	D32/8
D818,219	S *	5/2018	Bixby	D32/6
2013/0327101	A1 *	12/2013	Leibman	D06F 71/10 68/17 R

* cited by examiner

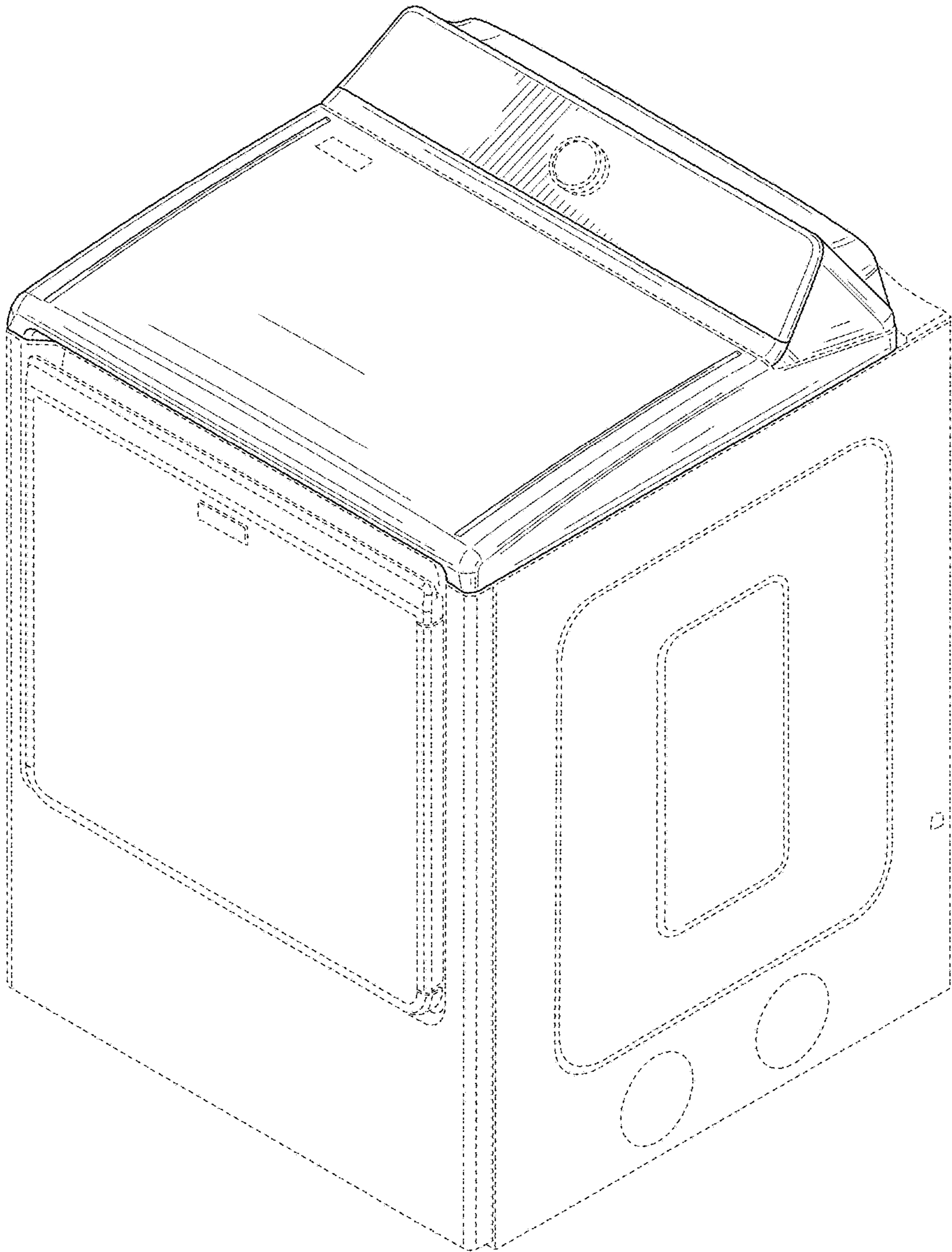


FIG. 1

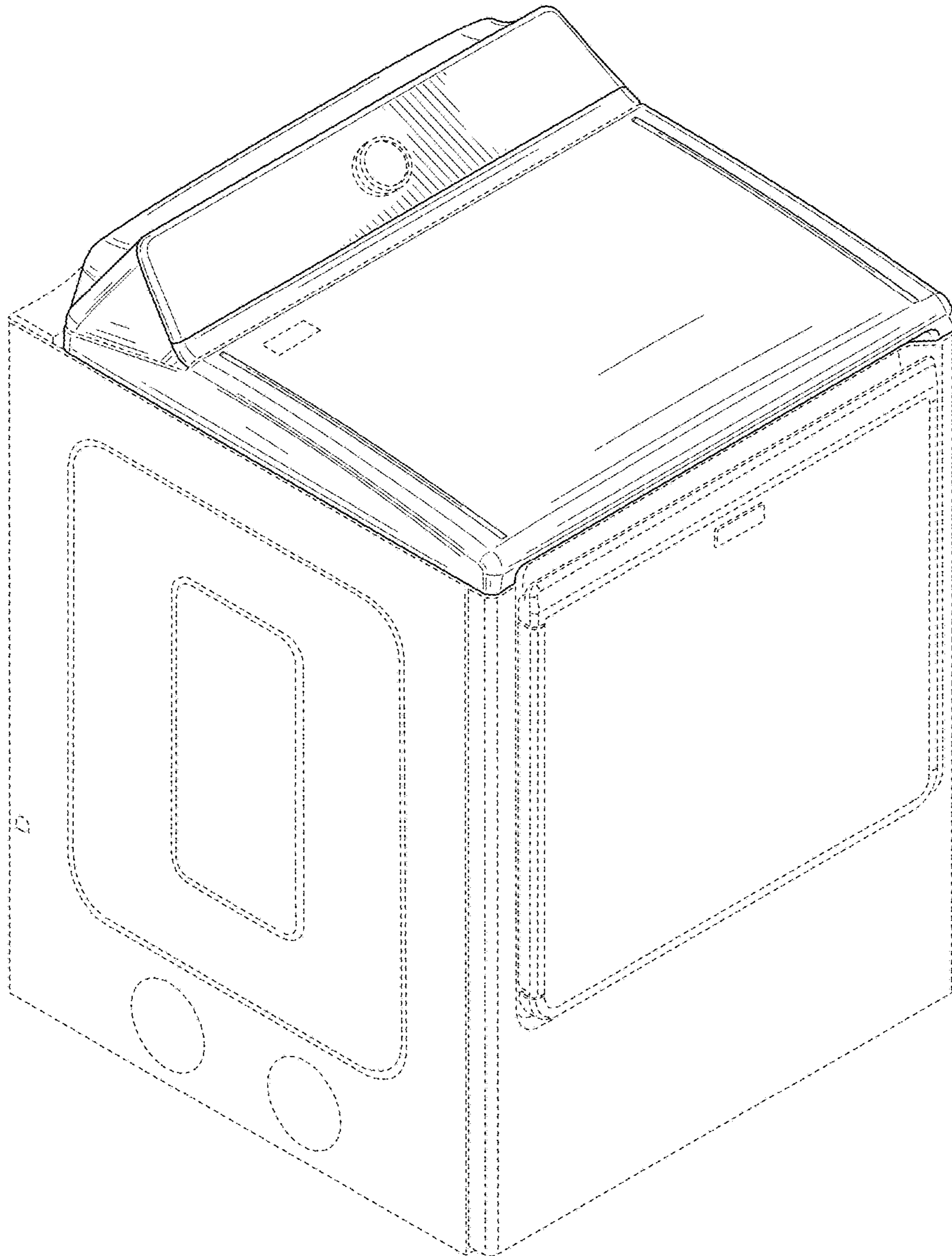


FIG. 2

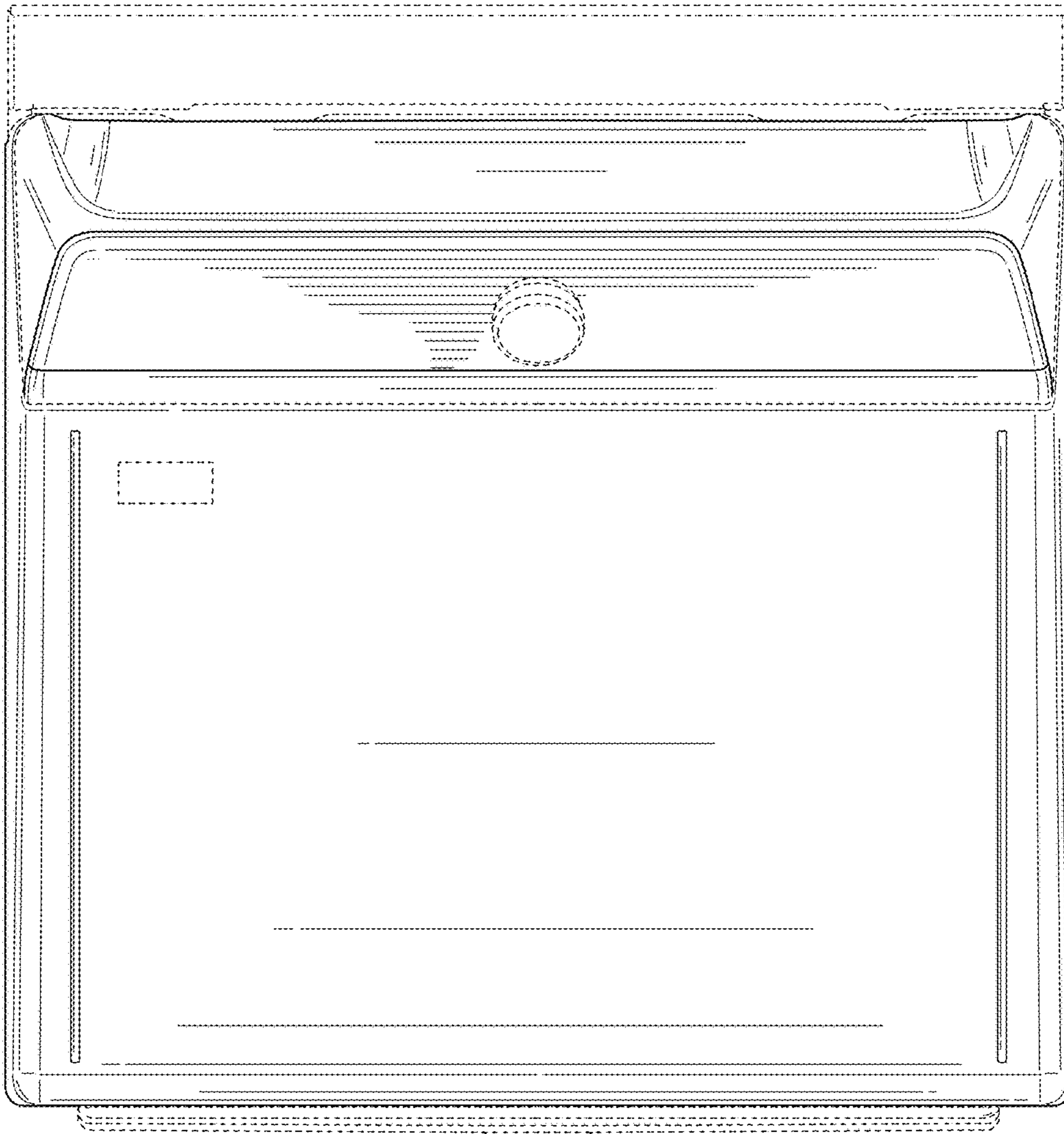


FIG. 3

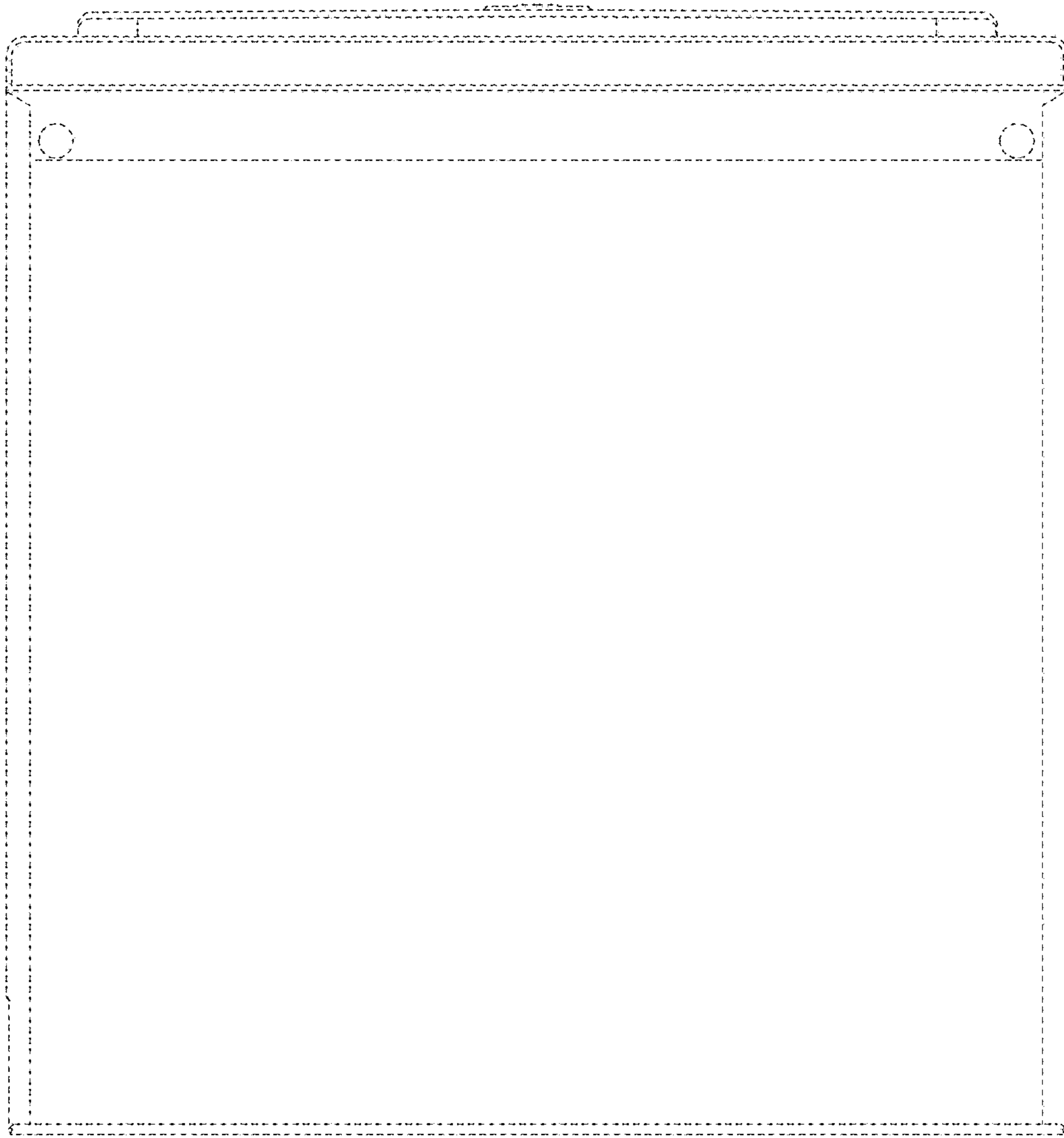


FIG. 4

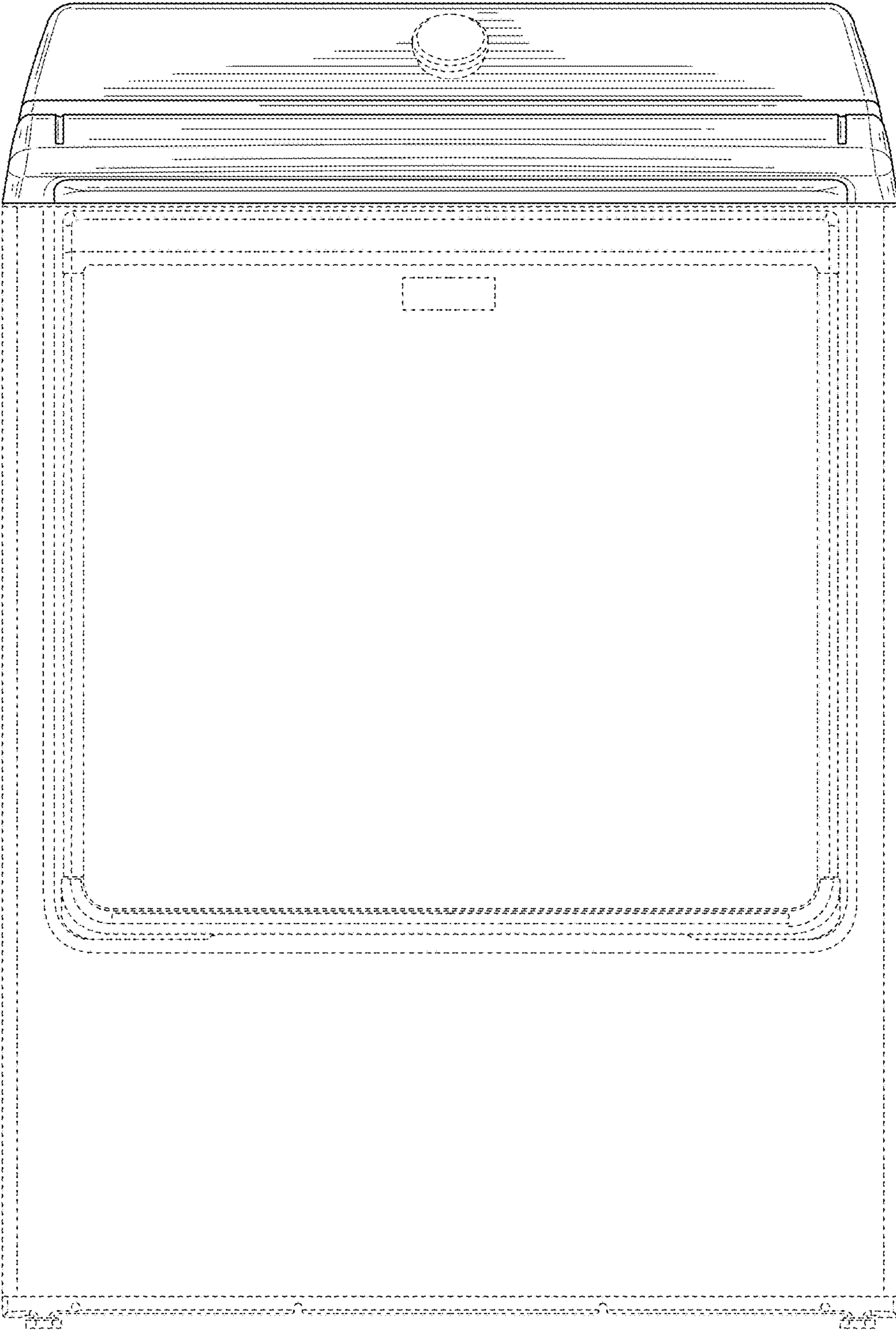


FIG. 5



FIG. 6

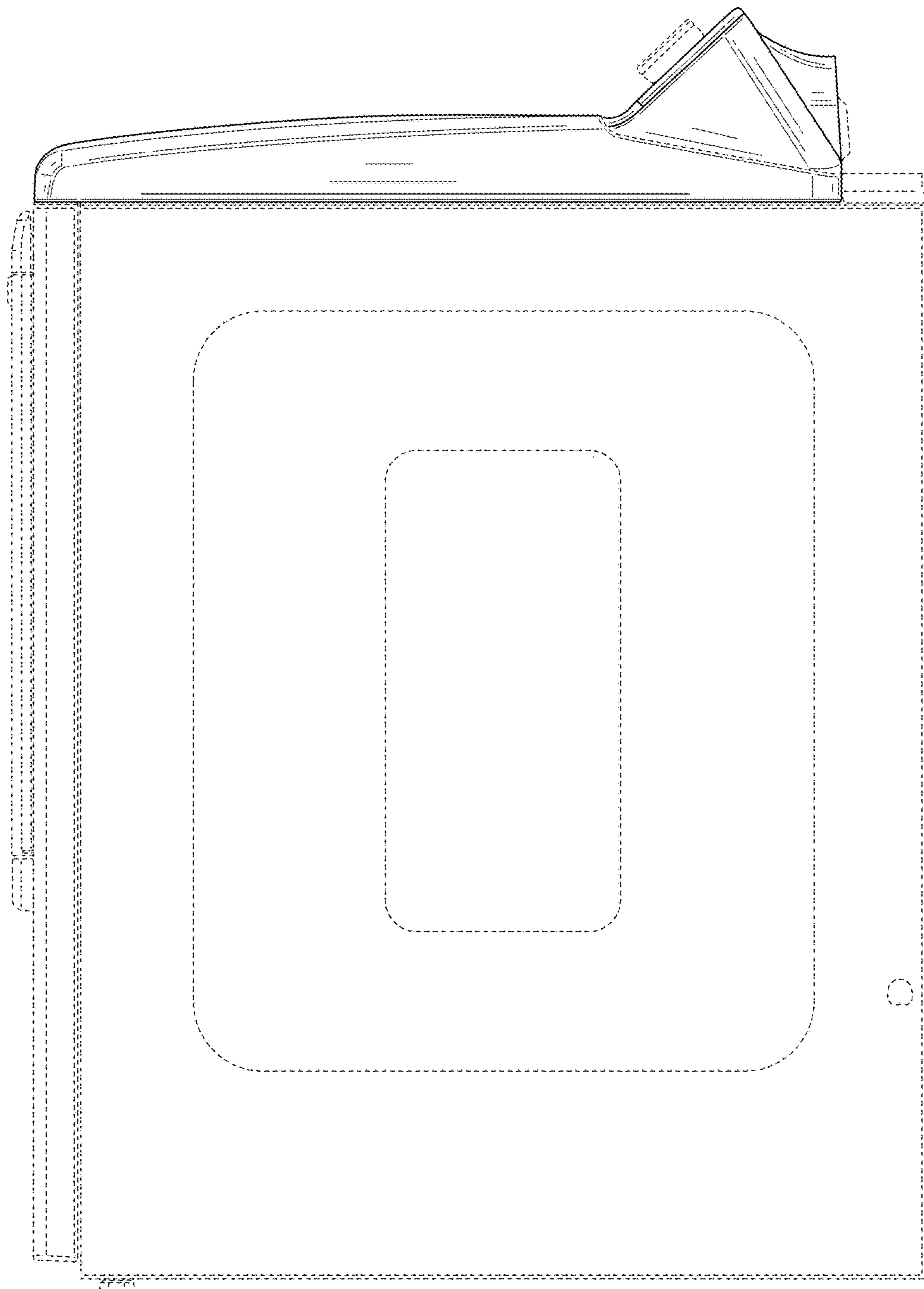


FIG. 7

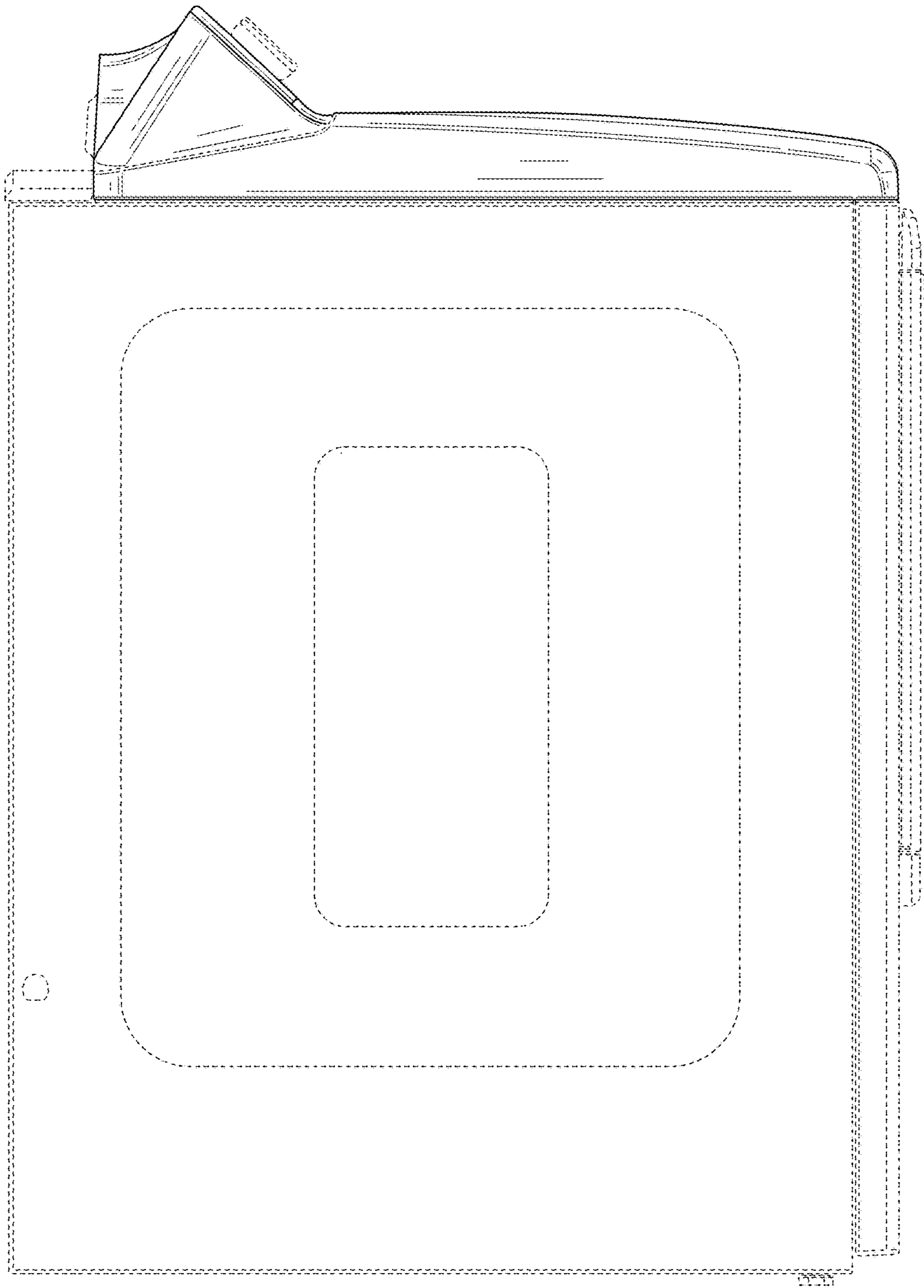


FIG. 8