



US00D831905S

(12) **United States Design Patent**
Benacquisto et al.

(10) **Patent No.:** **US D831,905 S**
(45) **Date of Patent:** **** Oct. 23, 2018**

(54) **GROOMING TOOL**

(71) Applicant: **BISSELL Homecare, Inc.**, Grand Rapids, MI (US)

(72) Inventors: **Justin Benacquisto**, Caledonia, MI (US); **Charles A. Martin**, Kalamazoo, MI (US); **David M. Miller**, Zeeland, MI (US); **Joseph Q. Marietta**, Kalamazoo, MI (US); **Brian C. Wolfe**, Kalamazoo, MI (US)

(73) Assignee: **BISSELL Homecare, Inc.**, Grand Rapids, MI (US)

(**) Term: **15 Years**

(21) Appl. No.: **29/605,203**

(22) Filed: **May 24, 2017**

(51) **LOC (11) Cl.** **30-99**

(52) **U.S. Cl.**
USPC **D30/158**

(58) **Field of Classification Search**
USPC D30/158, 159, 199; 15/104.002, 230.11, 15/104.94, 104.8, 23, 231, 169, 184, 114, 15/DIG. 14, 186-188, 329, 337, 338, 15/415.1, 416-422, 422.1, 93.1, 246.2, 15/322, 350-354, 361-363, 366, 378, 15/400, 401, 414, 412, 344, 402; 132/119-119.1, 212, 271, 112; 206/15.2-15.3, 361, 362.3, 470; 242/571.4; D28/25, 23, 30, 59, 21, 91.1, D28/7, 77, 5; D4/117, 116, 121-123, D4/102, 199, 137, 131; D32/31-33, 25, D32/17, 70; 119/600-612, 625, 628, 633, 119/650, 677, 665, 673, 664, 676, 479; 34/92, 96, 97; 401/289, 42, 270; 239/315, 310, 525-527, 159, 307; D23/223, 213, 225, 226, 202; D27/154; 4/615, 616, 596, 570, 568, 567, 606, 603
CPC A01K 13/00-13/003; A01K 27/007; A47L 9/00; A47L 9/04; A47L 9/0072; A47L 9/0081; A47L 7/00; A47L 7/0066; A47L

7/0085; A47L 7/009; A47L 7/02; A47L 11/4083; A47L 11/4086; A47L 11/4036; A47L 11/4044; A45D 2/00; A45D 2/002; A45D 2/36; A45D 2/367; A45D 2002/003; A45D 24/00; A45D 24/007; A45D 24/32; A45D 2024/002; A45D 20/00; A45D 20/10; A45D 20/12; A45D 20/122; A45D 20/48; A45D 20/50; A45D 20/52; A45D 20/525; A61D 7/00; A61D 11/00

See application file for complete search history.

(56) **References Cited**

U.S. PATENT DOCUMENTS

1,770,749 A * 7/1930 Engberg A01K 13/002 132/112
D200,525 S * 3/1965 Kellogg D24/211
3,421,171 A * 1/1969 Tsuruzawa A47L 11/22 15/1.52
D215,875 S * 11/1969 Hoadley D32/32

(Continued)

Primary Examiner — Susan Moon Lee

(74) *Attorney, Agent, or Firm* — McGarry Bair PC

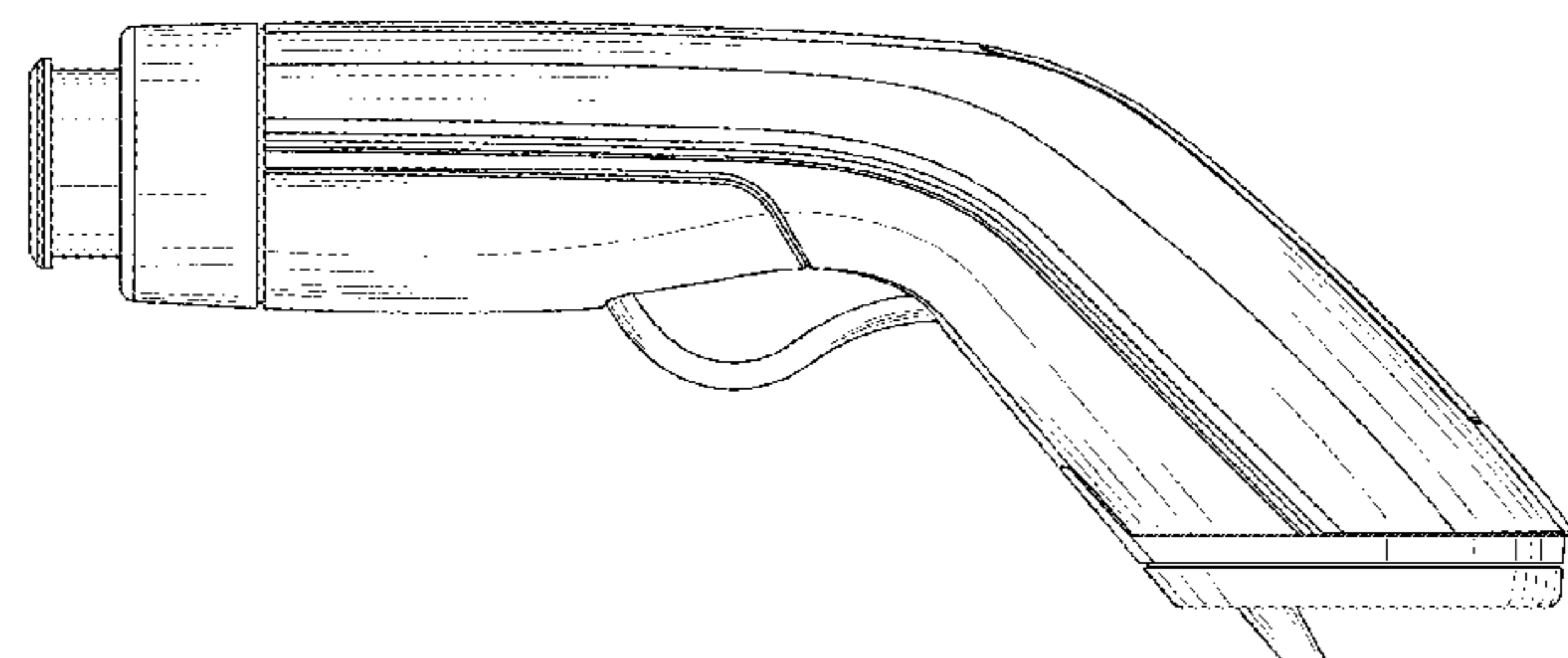
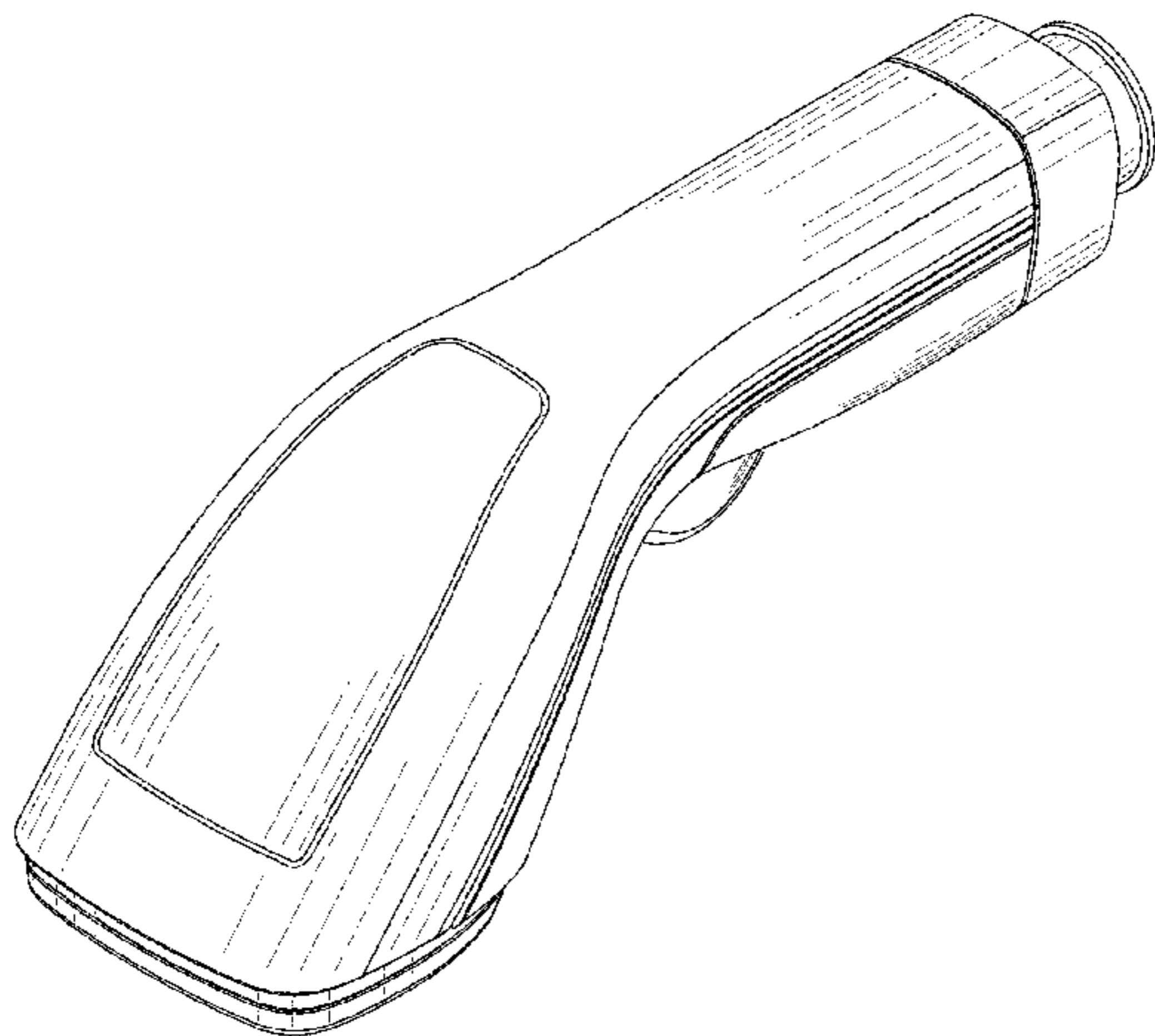
(57) **CLAIM**

The ornamental design for a grooming tool, as shown and described.

DESCRIPTION

FIG. 1 is a top perspective view of a grooming tool showing our new design;
FIG. 2 is a top view thereof;
FIG. 3 is a bottom view thereof;
FIG. 4 is a left side view thereof, the right side being a mirror image;
FIG. 5 is a front view thereof; and,
FIG. 6 is a rear view thereof.

1 Claim, 5 Drawing Sheets



(56)

References Cited

U.S. PATENT DOCUMENTS

3,668,736	A *	6/1972	Loscalzo	A47L 9/06	15/347
D226,462	S *	3/1973	Gibbs	D4/114	
D226,583	S *	3/1973	Welch	D24/214	
3,835,869	A *	9/1974	Newman	A45D 20/52	132/271
D263,998	S *	4/1982	Oberheim	D24/214	
4,779,572	A *	10/1988	Freulon	A01K 13/002	119/604
D315,251	S *	3/1991	Clivio	D4/102	
D368,342	S *	3/1996	Founds	D30/158	
D369,026	S *	4/1996	Furbert	D23/223	
5,799,362	A *	9/1998	Huffman	A47L 1/08	15/321
6,453,848	B1 *	9/2002	Hachey	A01K 13/001	119/602
D476,160	S *	6/2003	Choi	D4/121	
6,986,217	B2 *	1/2006	Leung	D06F 73/00	38/77.83
7,073,226	B1 *	7/2006	Lenkiewicz	A47L 11/34	15/320
D540,994	S *	4/2007	Borges	D32/33	
D547,067	S *	7/2007	Choi	D32/35	
D559,058	S *	1/2008	Radi	D8/62	
D574,568	S *	8/2008	Lee	D32/70	
D589,663	S *	3/2009	Massip	D32/17	
D590,111	S *	4/2009	Wiljanen	D32/32	
D590,157	S *	4/2009	Martin	D4/136	
D590,553	S *	4/2009	Crevling, Jr.	D32/32	
7,516,565	B1 *	4/2009	Tsen	A47L 13/22	15/321
D596,362	S *	7/2009	Crevling, Jr.	D32/33	
D601,806	S *	10/2009	Choi	D4/114	
D601,807	S *	10/2009	Choi	D4/114	
D605,821	S *	12/2009	Shaanan	D32/35	
D612,510	S *	3/2010	Byle	D24/210	
D621,110	S *	8/2010	Eden	D32/32	
D621,112	S *	8/2010	Benacquisto	D32/33	
D622,457	S *	8/2010	Choi	D32/17	
D628,304	S *	11/2010	Aulwes	D24/214	
D646,445	S *	10/2011	Choi	D32/17	
D649,657	S *	11/2011	Petersen	D24/215	
D651,774	S *	1/2012	Tobias	D32/17	
D659,315	S *	5/2012	Hollis	D32/33	
D670,454	S *	11/2012	Sherk, Jr.	D30/158	
D671,226	S *	11/2012	Aulwes	D24/215	
D674,978	S *	1/2013	Hill	D32/32	
8,402,920	B2 *	3/2013	Dole	A01J 7/04	119/14.18
D688,425	S *	8/2013	Fernandez	D30/158	
8,555,463	B1 *	10/2013	Laube	A01K 13/001	119/606
D701,011	S *	3/2014	Miller	D32/32	
D726,927	S *	4/2015	Matsushita	D24/200	
9,220,237	B1 *	12/2015	Dryden	A47L 9/0081	
D780,392	S *	2/2017	Mikula	D32/32	
9,763,423	B2 *	9/2017	Dole	A01J 7/04	
D801,598	S *	10/2017	Urso	D30/158	
2003/0007788	A1 *	1/2003	Wang	B08B 3/026	392/405
2004/0105715	A1 *	6/2004	Spelman	A46B 11/0013	401/6
2004/0173163	A1 *	9/2004	Bond	A01K 13/001	119/651
2011/0030620	A1 *	2/2011	Jouan	A01K 13/002	119/611
2011/0132406	A1 *	6/2011	Huffman	A01K 13/001	134/21
2014/0201940	A1 *	7/2014	Moyher, Jr.	A47L 5/362	15/321
2015/0156985	A1 *	6/2015	Ristaniemi	A01K 13/002	119/611
2015/0208605	A1 *	7/2015	Dole	A01J 7/04	119/664
2015/0250141	A1 *	9/2015	Ferrentino	A47L 9/06	119/610
2017/0265431	A1 *	9/2017	Urso	A01K 13/001	
2018/0110201	A1 *	4/2018	Mohyer, Jr.	A01K 13/001	

* cited by examiner

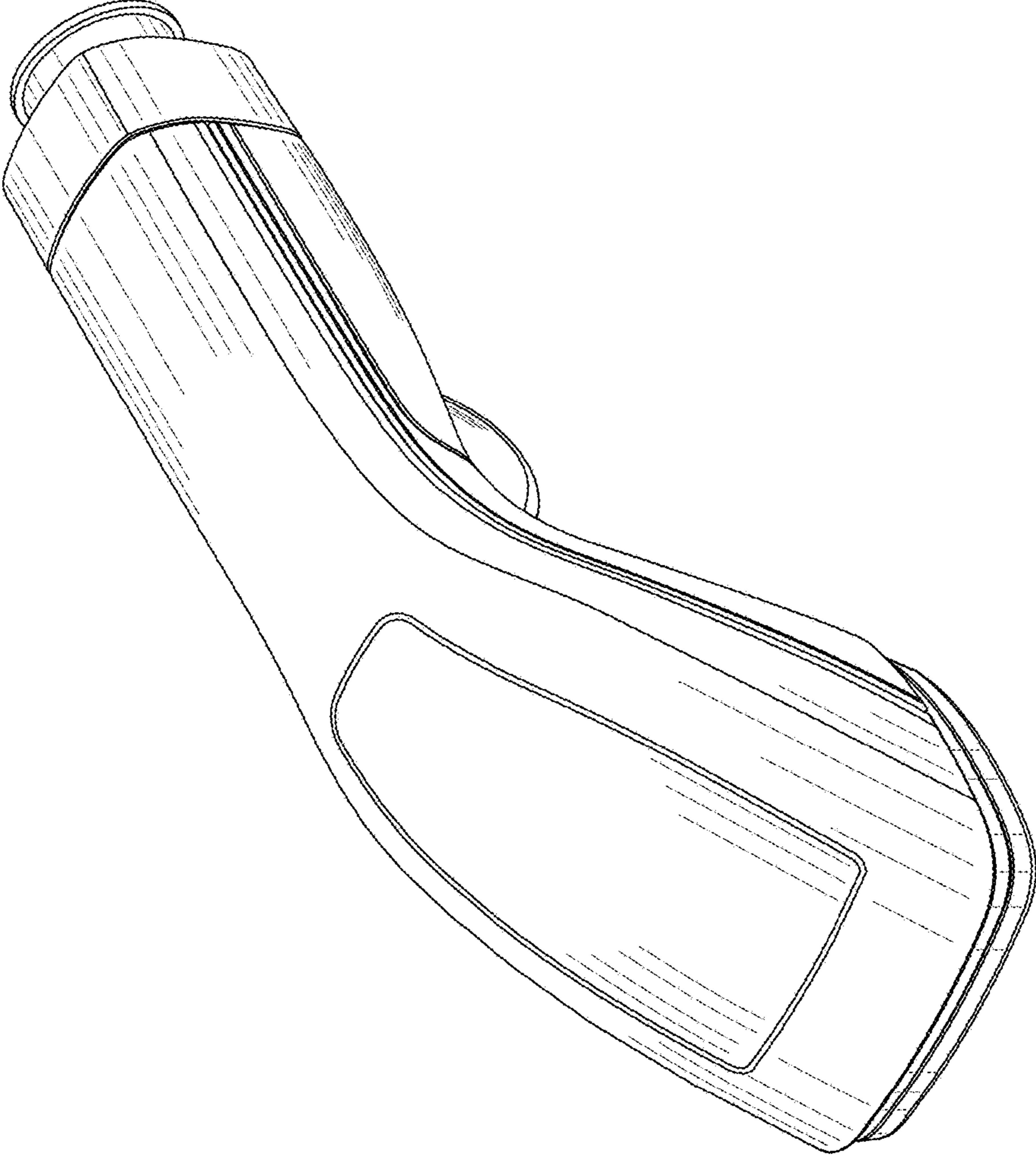


FIG. 1

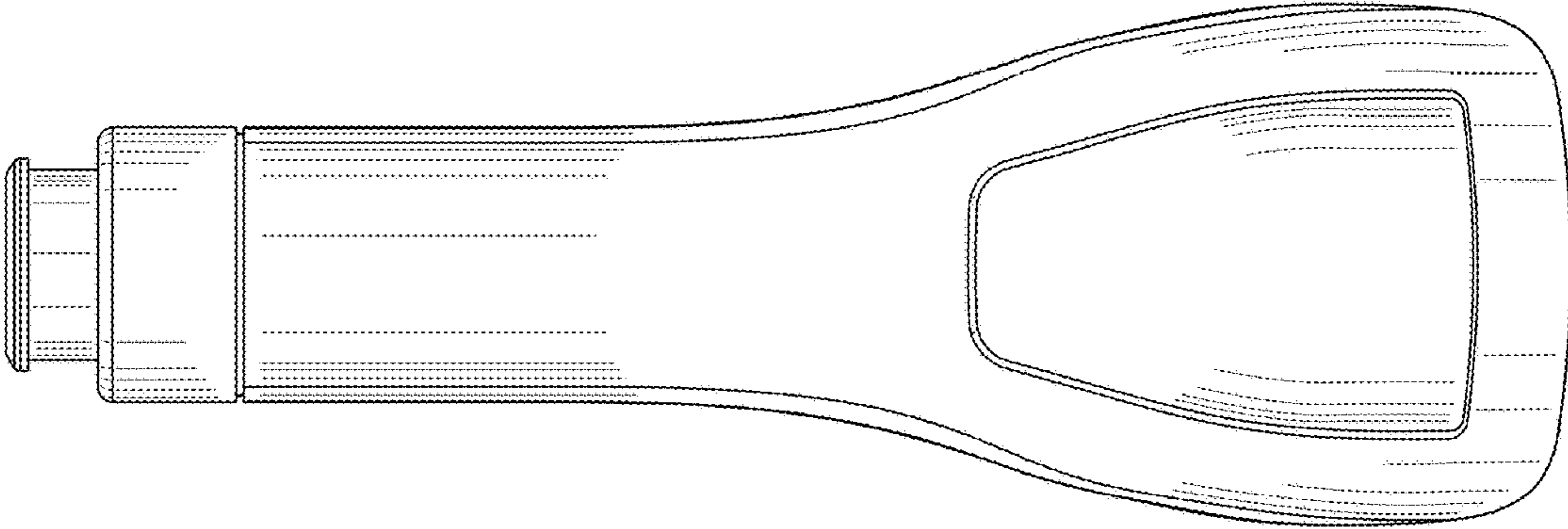


FIG. 2

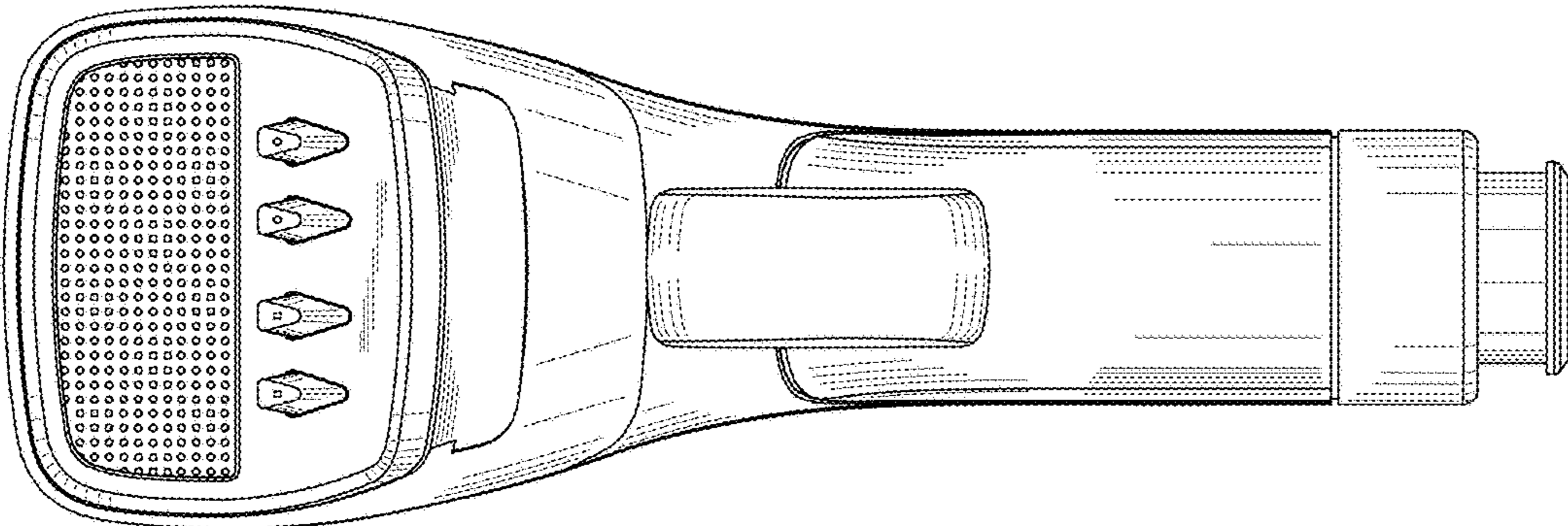


FIG. 3

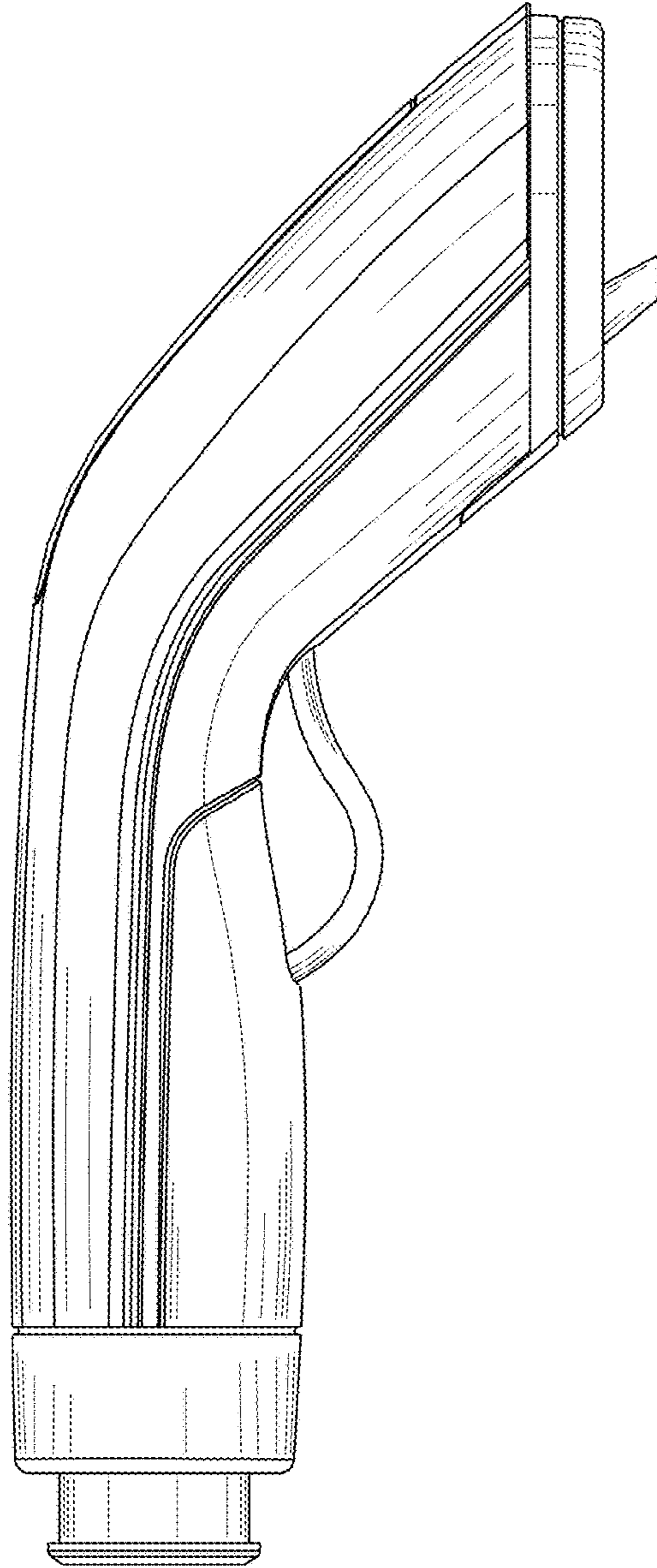


FIG. 4

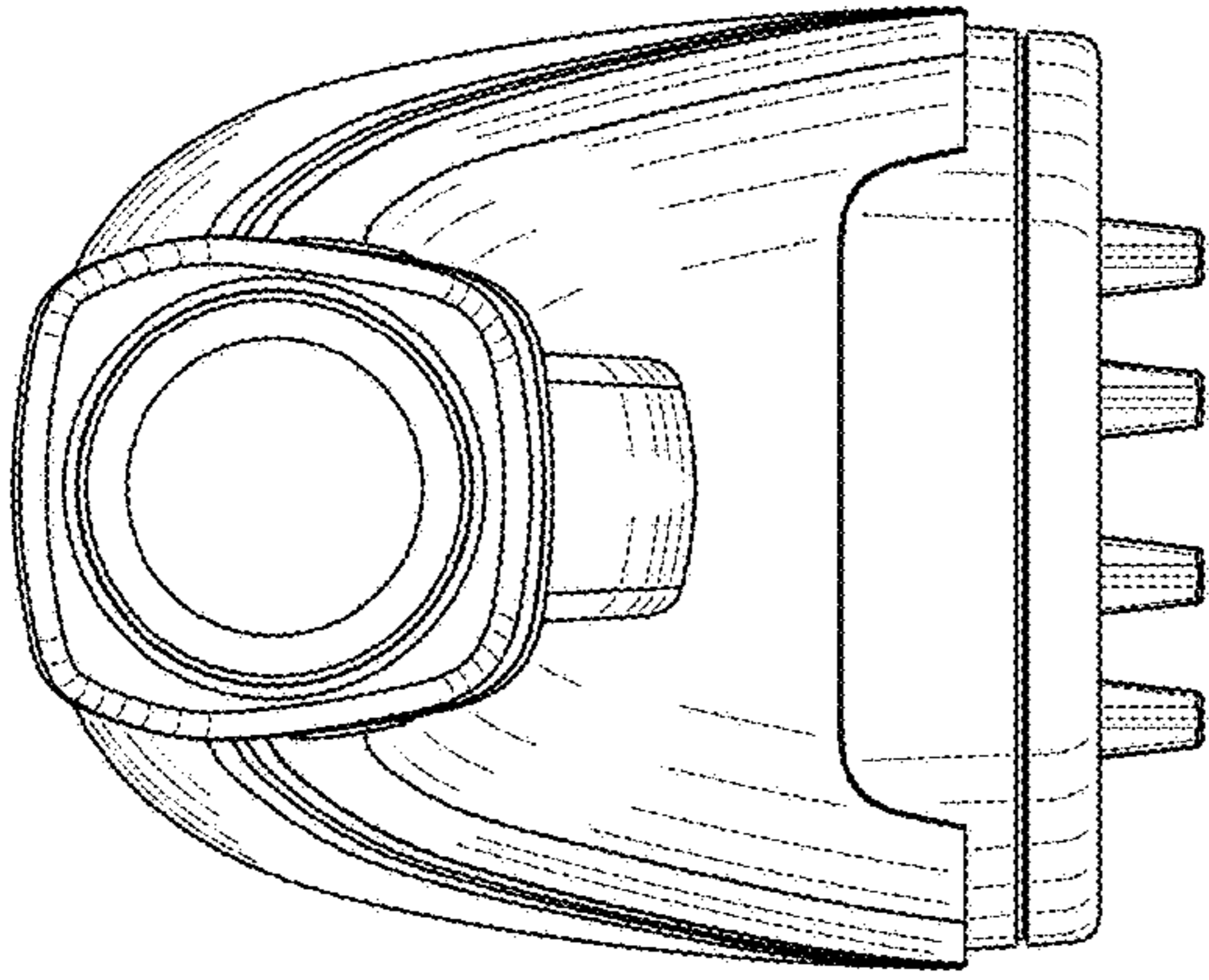


FIG. 5

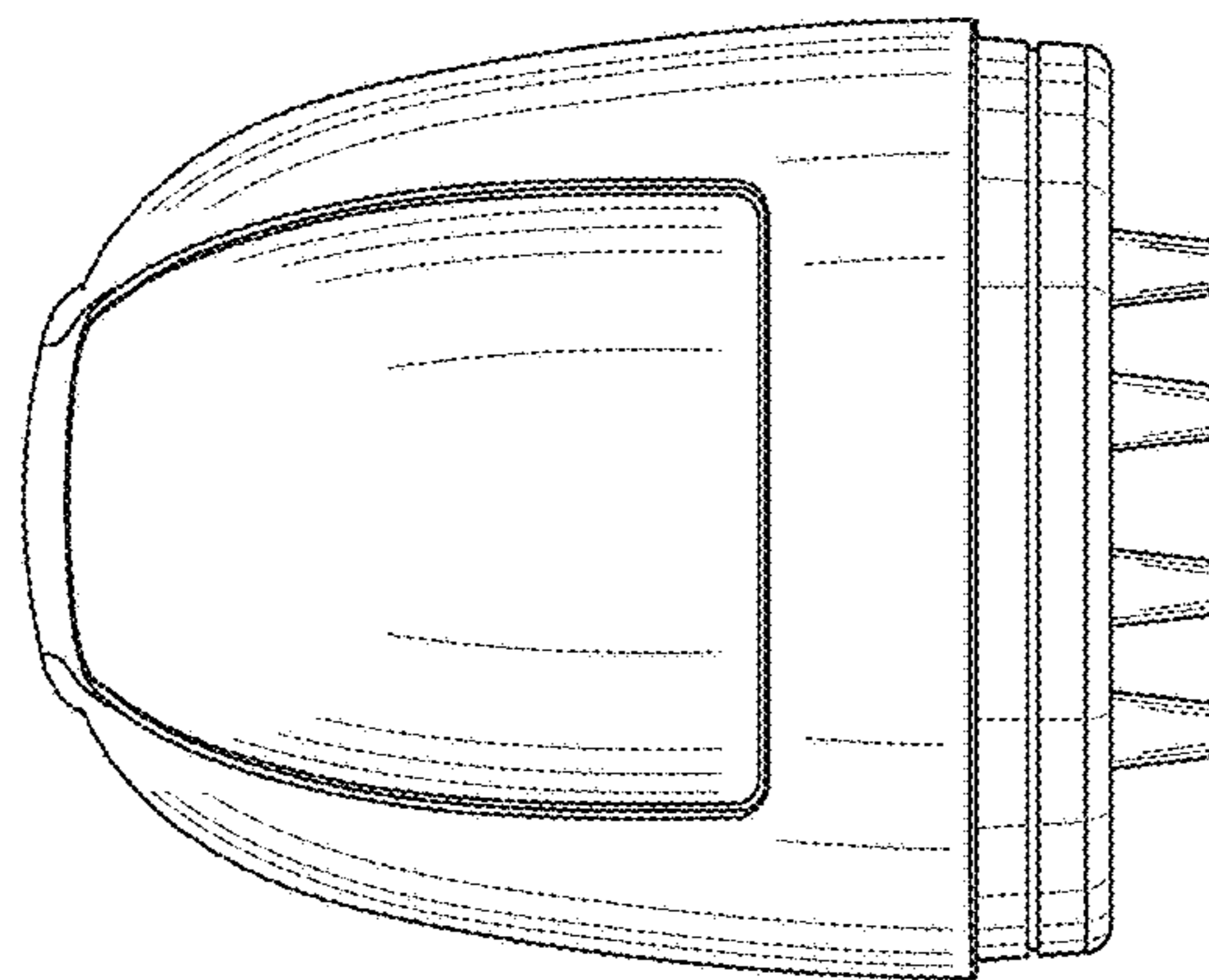


FIG. 6