



US00D831904S

(12) **United States Design Patent** (10) **Patent No.:** **US D831,904 S**  
**Vincent et al.** (45) **Date of Patent:** **\*\* Oct. 23, 2018**

(54) **DOG LEASH HANDLE**

(71) Applicants: **James C. Vincent**, Orange Park, FL (US); **John S. Kenning**, Jacksonville, FL (US)

(72) Inventors: **James C. Vincent**, Orange Park, FL (US); **John S. Kenning**, Jacksonville, FL (US)

(\*\*) Term: **15 Years**

(21) Appl. No.: **29/556,922**

(22) Filed: **Mar. 4, 2016**

**Related U.S. Application Data**

(63) Continuation-in-part of application No. 29/513,289, filed on Dec. 30, 2014, now abandoned.

(51) **LOC (11) Cl.** ..... **30-04**

(52) **U.S. Cl.**  
USPC ..... **D30/153**

(58) **Field of Classification Search**  
USPC ..... D30/144, 151, 152, 153, 154, 155, 199;  
D21/682, 683, 684, 732, 777, 840;  
D2/976; D3/215, 290, 299; 242/381.2

CPC ..... A01K 27/003  
See application file for complete search history.

(56) **References Cited**

**U.S. PATENT DOCUMENTS**

D281,631 S \* 12/1985 Konar ..... D30/153  
D374,518 S \* 10/1996 McIntyre ..... D30/153  
5,839,394 A \* 11/1998 Dickison ..... A01K 27/005  
119/795  
D501,391 S \* 2/2005 Hartwell ..... D8/313  
D507,080 S \* 7/2005 Kresge ..... D30/153  
8,104,145 B1 \* 1/2012 Hajianpour ..... A01K 27/008  
119/772  
9,032,911 B2 \* 5/2015 Hill ..... A01K 27/003  
119/795  
D750,851 S \* 3/2016 Whitfield ..... D30/152

D756,203 S \* 5/2016 Kelleghan ..... D8/356  
2004/0136205 A1 \* 7/2004 Peng ..... A01K 27/006  
362/570  
2008/0216767 A1 \* 9/2008 Wang ..... A01K 27/006  
119/795  
2014/0216359 A1 \* 8/2014 Wechsler ..... A01K 27/003  
119/795

(Continued)

**OTHER PUBLICATIONS**

“FIDO Friendly: The Perfect Leash Walker”. Found online Jan. 5, 2018 at fidofriendly.com. Page dated Feb. 26, 2014. Retrieved from <https://www.fidofriendly.com/contests/2014-spring-feature-giveaway-contest>.\*

(Continued)

*Primary Examiner* — George D. Kirschbaum  
*Assistant Examiner* — Kendra Leslie Hamilton  
(74) *Attorney, Agent, or Firm* — The Weintraub Group, P.L.C.

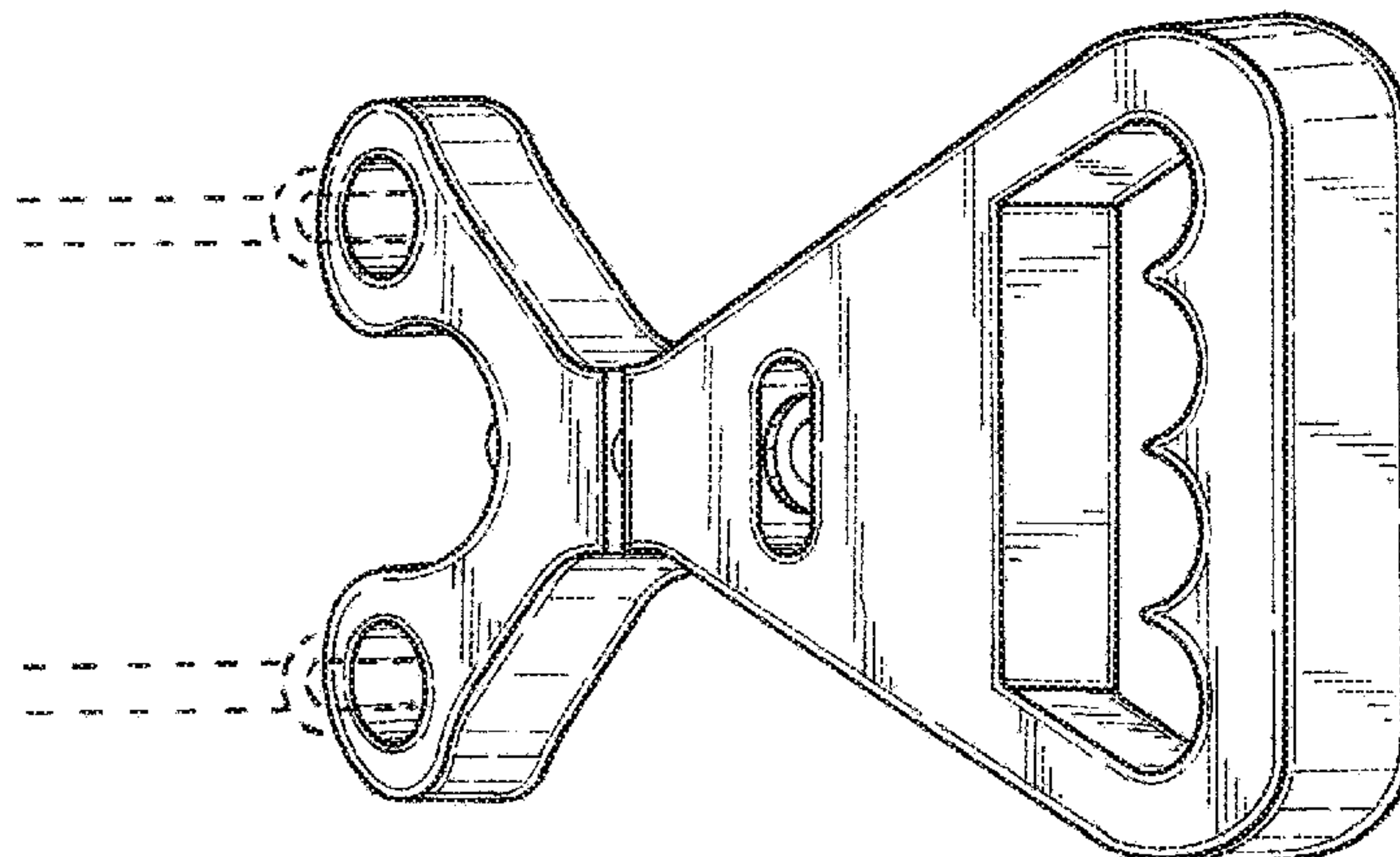
(57) **CLAIM**

We claim the ornamental design for a dog leash handle, as shown and described.

**DESCRIPTION**

FIG. 1 is a top-front perspective view of a dog leash handle, showing our new design, in a condition for use;  
FIG. 2 is a top plan view of the dog leash handle of FIG. 1, shown enlarged for clarity of disclosure;  
FIG. 3 is a bottom plan view thereof;  
FIG. 4 is a left side elevation view thereof;  
FIG. 5 is a right side elevation view thereof;  
FIG. 6 is a rear elevation view thereof; and,  
FIG. 7 is a front elevation view thereof.  
The broken lines in the drawings represent unclaimed environmental subject matter and form no part of the claim.

**1 Claim, 3 Drawing Sheets**



(56)

**References Cited**

U.S. PATENT DOCUMENTS

2017/0164582 A1\* 6/2017 Torres ..... A01K 27/004

OTHER PUBLICATIONS

“Wigzi Dual Dog Gel Leash”. Found online Dec. 29, 2017 at amazon.com. Page dated Oct. 12, 2016. Retrieved from [https://www.amazon.com/Wigzi-Dual-Dog-Leash-Automatically/dp/B01JFT1OPQ/ref=cm\\_cr\\_ar\\_p\\_d\\_product\\_top?ie=UTF8](https://www.amazon.com/Wigzi-Dual-Dog-Leash-Automatically/dp/B01JFT1OPQ/ref=cm_cr_ar_p_d_product_top?ie=UTF8).\*

“2013 Invention: Triple Dog Leash Handle”. Found online Oct. 5, 2016 at amazon.com. Page dated Oct. 1, 2013. Retrieved from [https://www.amazon.com/Coupler-Multi-Leash-leashes-untangle-seconds/dp/B00EHVLTQ2/ref=cm\\_cr\\_ar\\_p\\_d\\_product\\_top?ie=UTF8](https://www.amazon.com/Coupler-Multi-Leash-leashes-untangle-seconds/dp/B00EHVLTQ2/ref=cm_cr_ar_p_d_product_top?ie=UTF8).\*

“Rink Drink Crown Bottle Opener”. Found online Mar. 15, 2018 at amazon.co.uk. Page dated Aug. 5, 2010. Retrieved from <https://www.amazon.co.uk/Rink-Drink-Crown-Bottle-Opener/dp/B003YHDXQO>.\*

\* cited by examiner

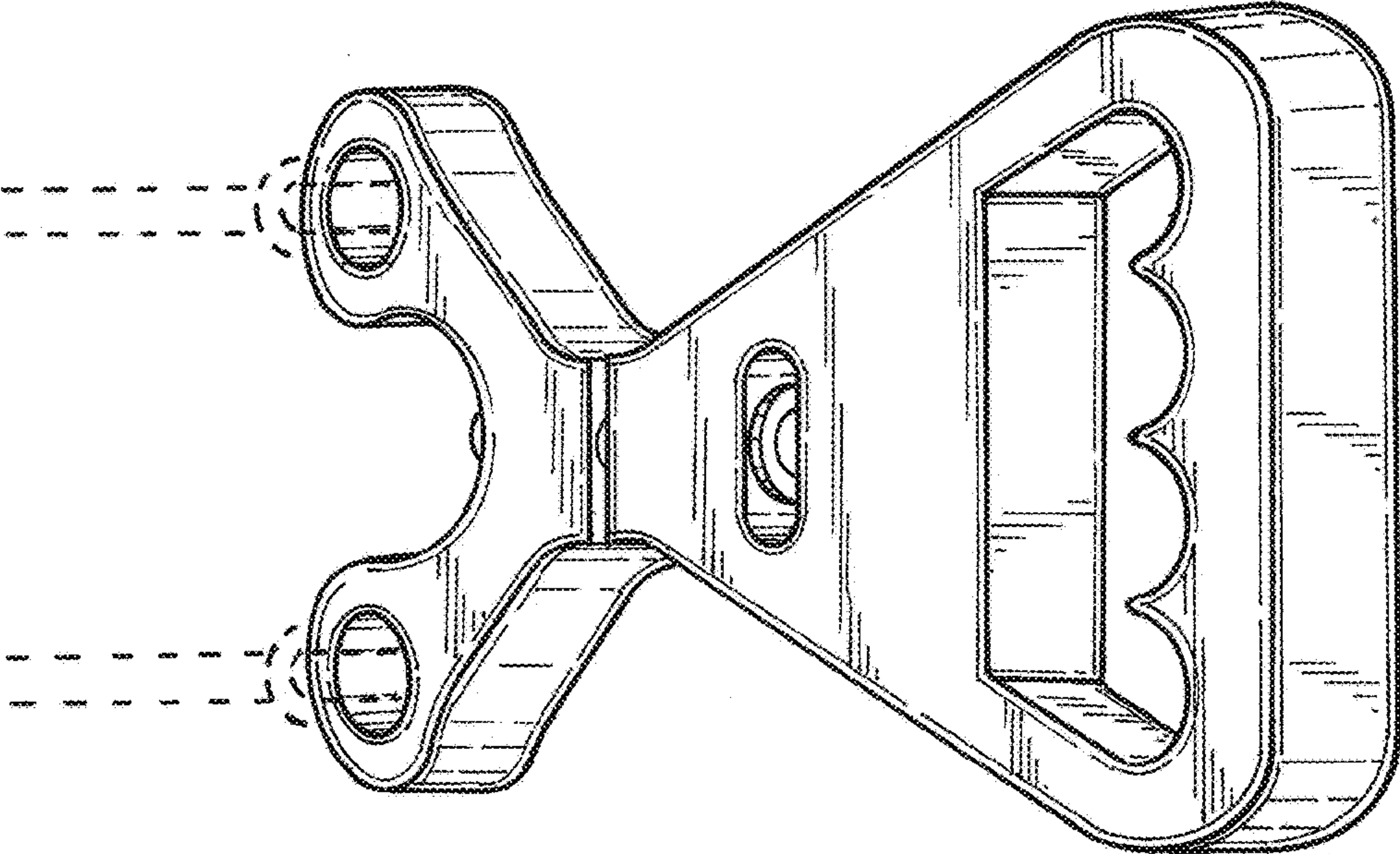


FIG.1



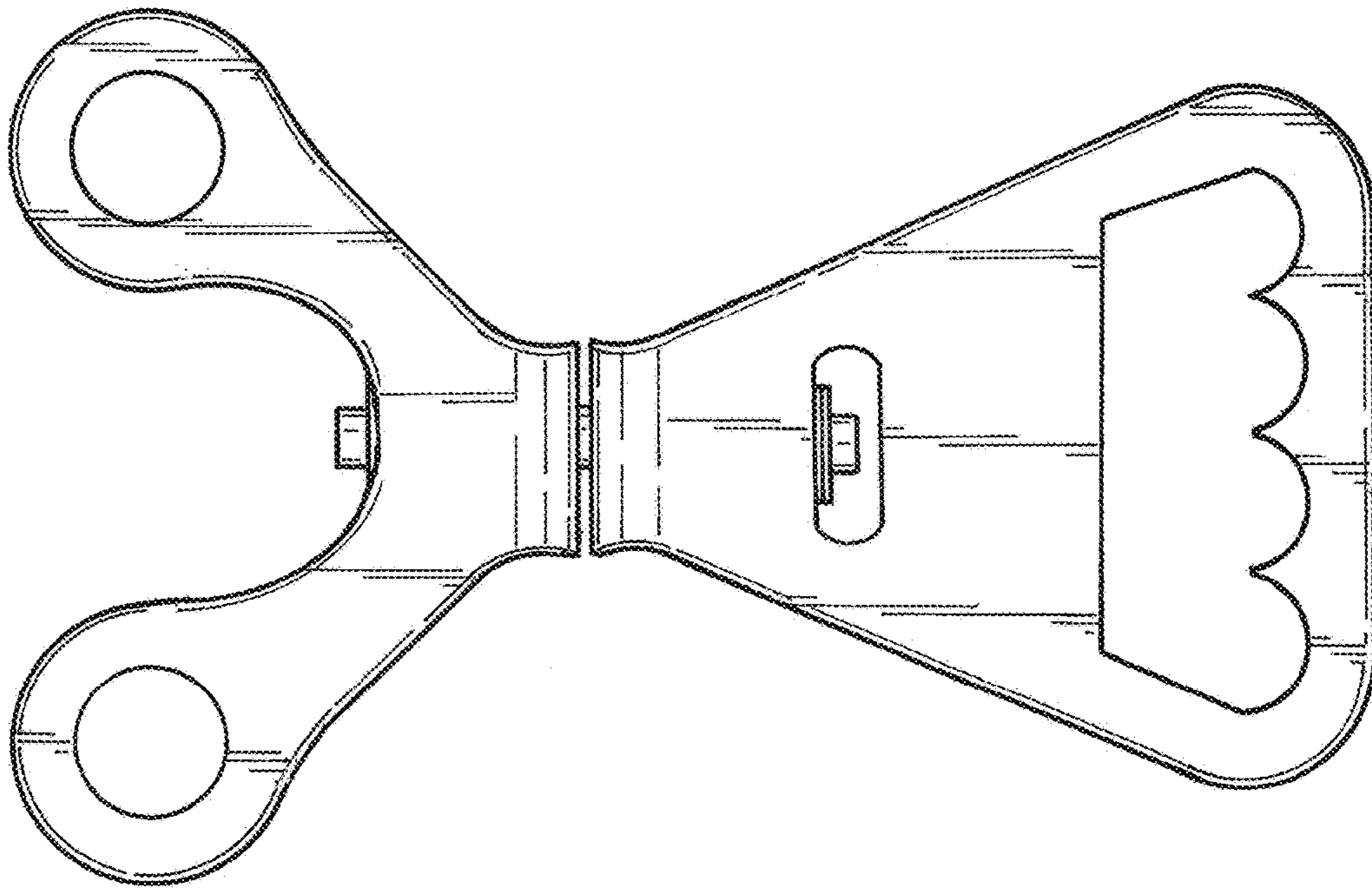


FIG. 2

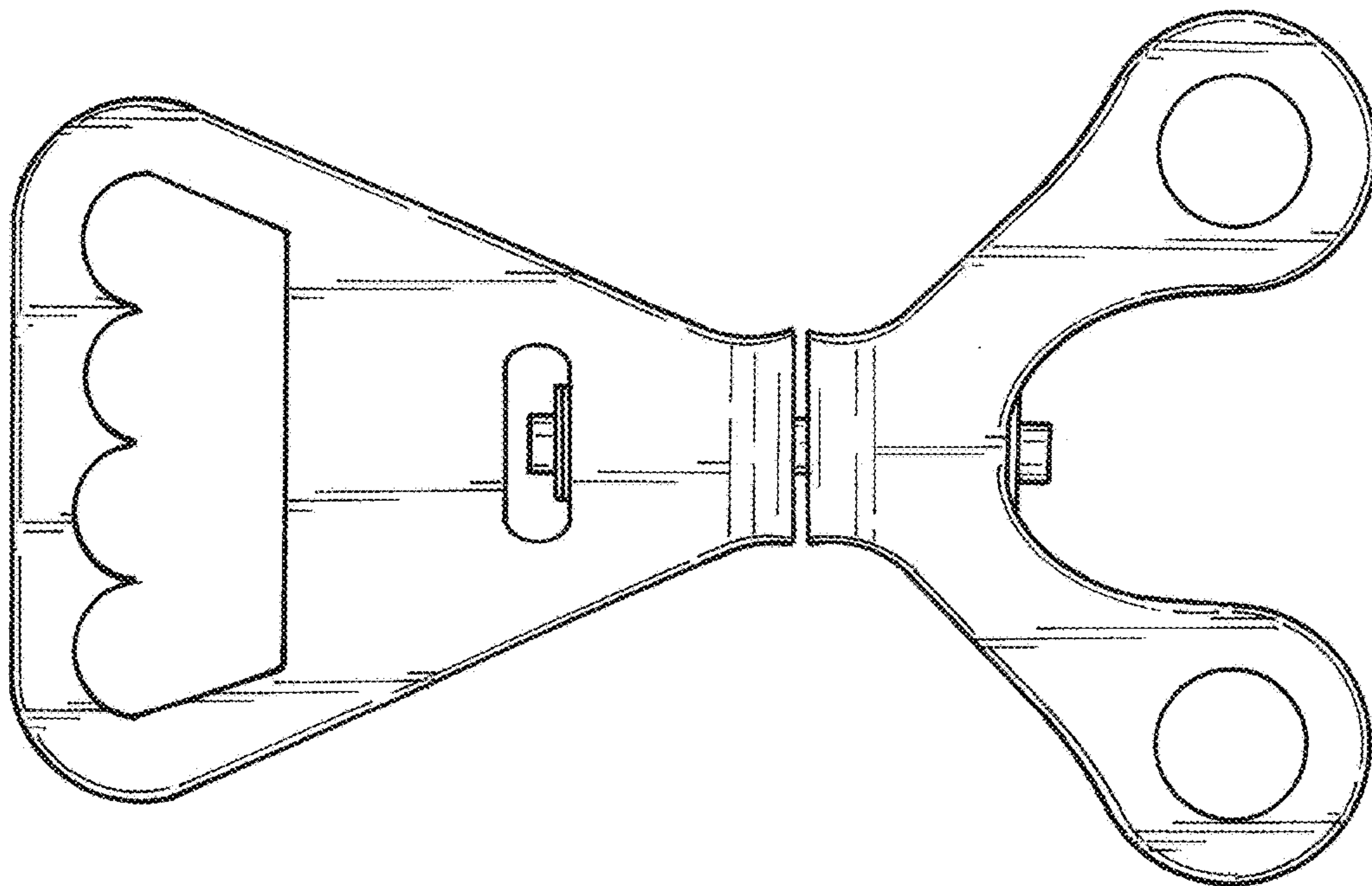


FIG. 3

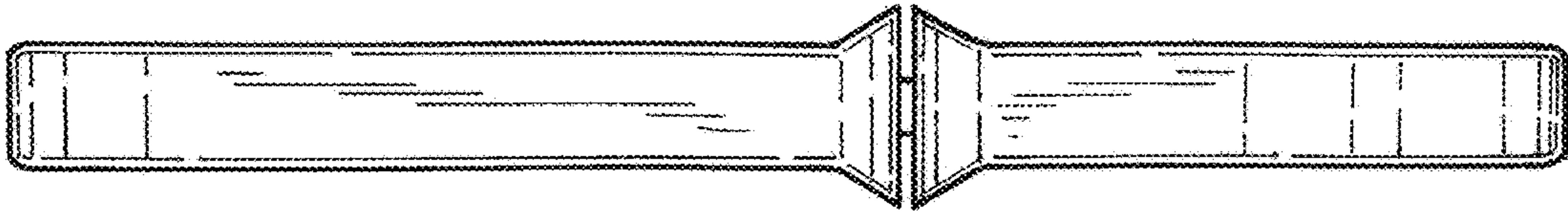


FIG. 4

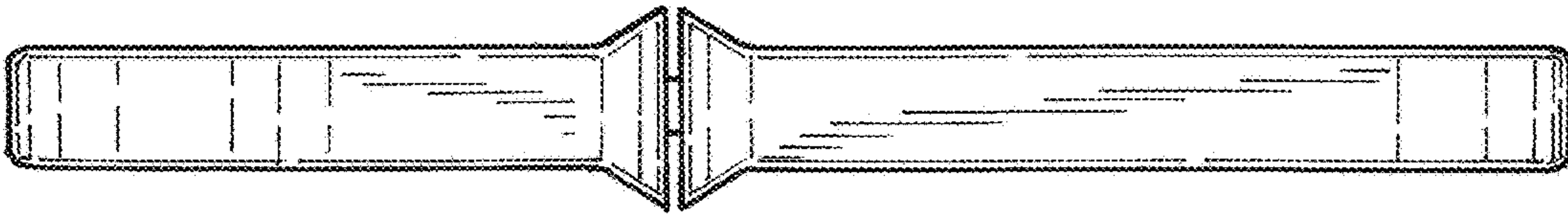


FIG. 5

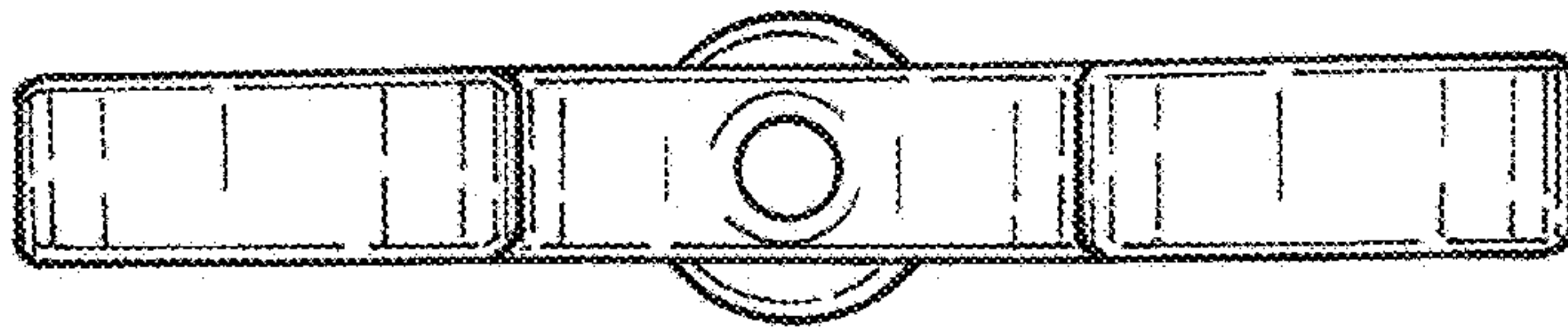


FIG. 6

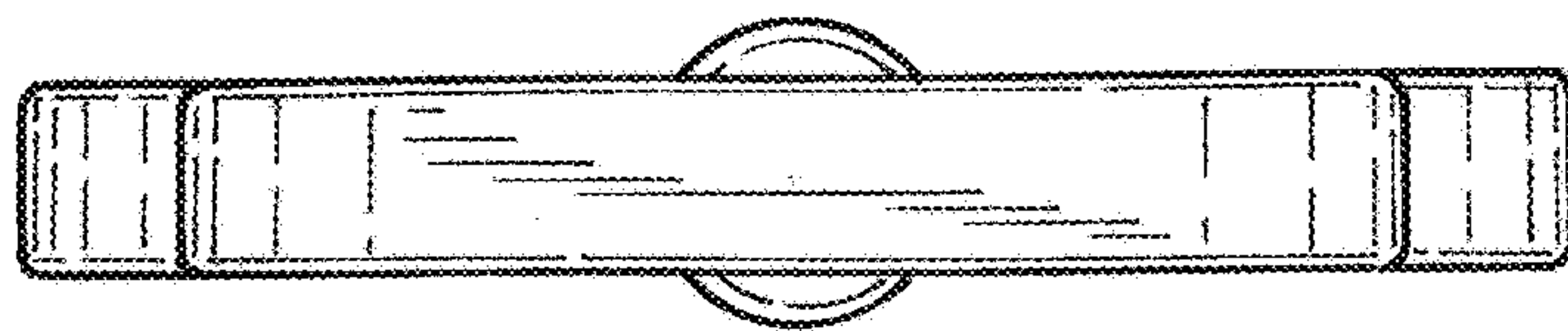


FIG. 7