



US00D831897S

(12) **United States Design Patent**
Watson et al.

(10) **Patent No.:** **US D831,897 S**

(45) **Date of Patent:** **** Oct. 23, 2018**

- (54) **LIGHT-UP AQUARIUM**
- (71) Applicant: **PetSmart Home Office, Inc.**, Phoenix, AZ (US)
- (72) Inventors: **Jeffrey Stocker Watson**, Phoenix, AZ (US); **Tyler Joseph Lippert**, Phoenix, AZ (US)
- (73) Assignee: **PetSmart Home Office, Inc.**, Phoenix, AZ (US)

- 7,473,008 B2 * 1/2009 Crabb A01K 63/06
362/101
- 8,057,060 B2 * 11/2011 Fredricks A01K 63/06
362/101
- D693,519 S * 11/2013 Xu D26/51
- 8,727,554 B2 * 5/2014 Blake A01K 63/06
362/101
- 9,642,343 B2 * 5/2017 Lutz A01K 63/003
- D789,619 S * 6/2017 Xie D30/104
- D795,505 S * 8/2017 Yang D30/101
- D795,507 S * 8/2017 Feng D30/101

* cited by examiner

(**) Term: **15 Years**

Primary Examiner — Wan Laymon

(21) Appl. No.: **29/592,587**

(74) *Attorney, Agent, or Firm* — Duane Morris LLP

(22) Filed: **Jan. 31, 2017**

(51) **LOC (11) Cl.** **30-02**

(57) **CLAIM**

(52) **U.S. Cl.**
USPC **D30/104**

We claim the ornamental design for a light-up aquarium, as shown and described.

(58) **Field of Classification Search**
USPC D30/101–107; 119/245–251, 253,
119/266–267, 269; D26/1–4, 51;
D7/608, 612, 703, 538, 542, 545;
D11/145

DESCRIPTION

CPC A01K 63/003; A01K 63/006; A01K 63/06;
F21V 21/0808; F21V 21/088; F21S 4/28
See application file for complete search history.

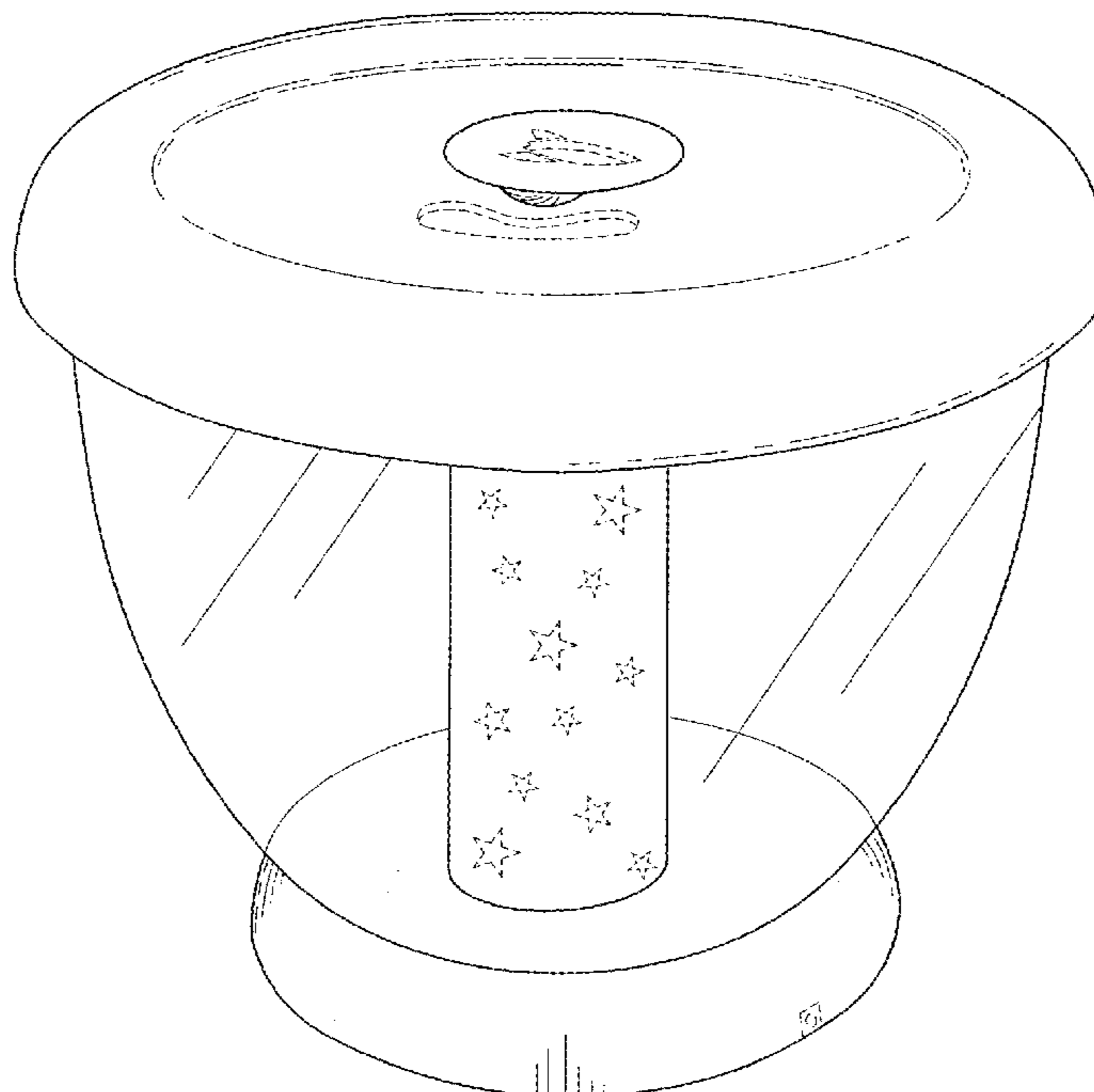
FIG. 1 is a perspective view of the light-up aquarium.
FIG. 2 is a side view of the light-up aquarium.
FIG. 3 is a top view of the light-up aquarium; and,
FIG. 4 is a bottom view of the light-up aquarium.
The broken lines in the drawings define boundary lines and form no part of the claimed design.
The left side, right side, front, and rear views are identical to the side view shown.

(56) **References Cited**

U.S. PATENT DOCUMENTS

- 5,078,093 A * 1/1992 Flaherty A01K 63/006
119/256
- D397,521 S * 8/1998 Gomi D30/101

1 Claim, 4 Drawing Sheets



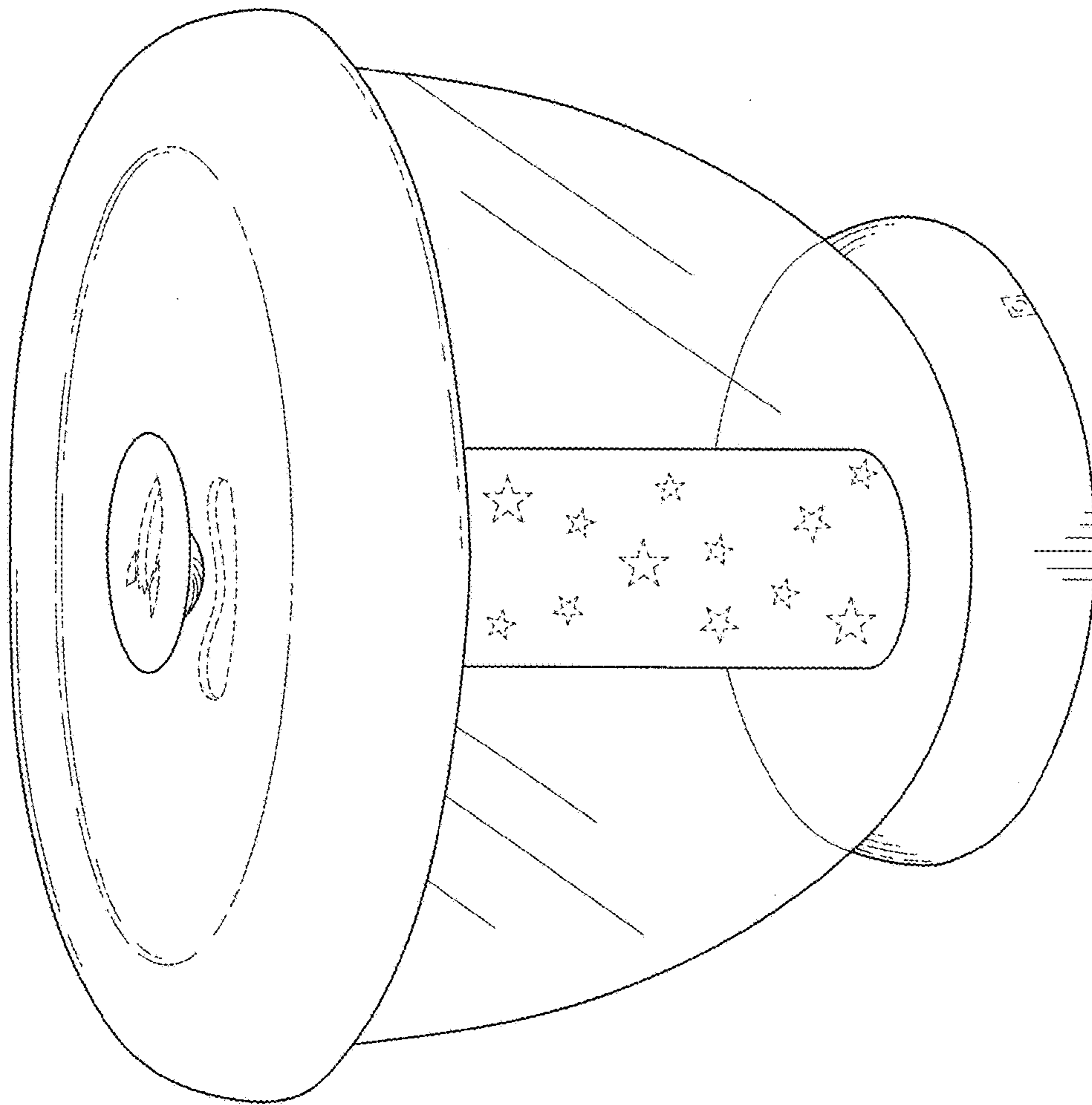


FIG. 1

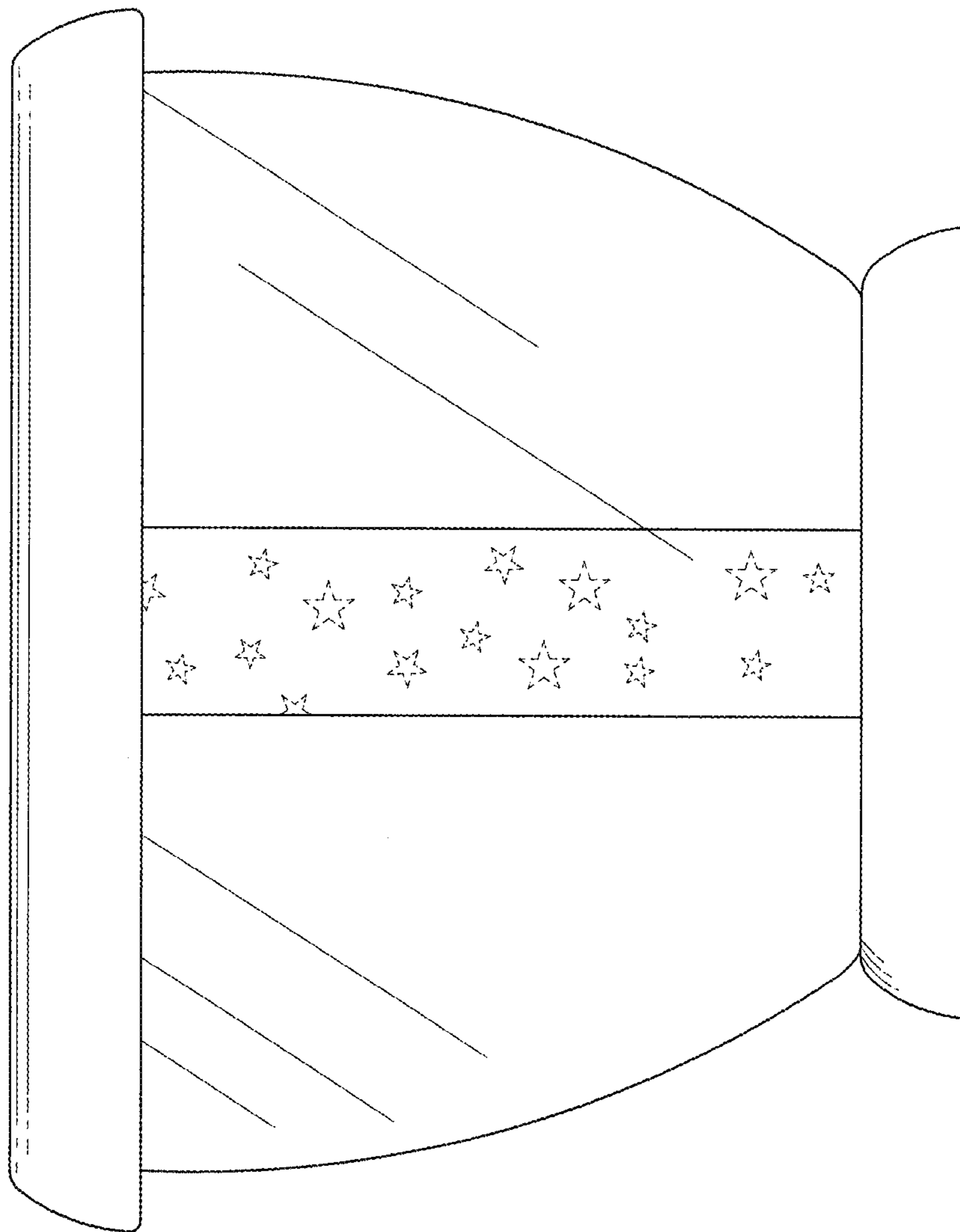


FIG. 2

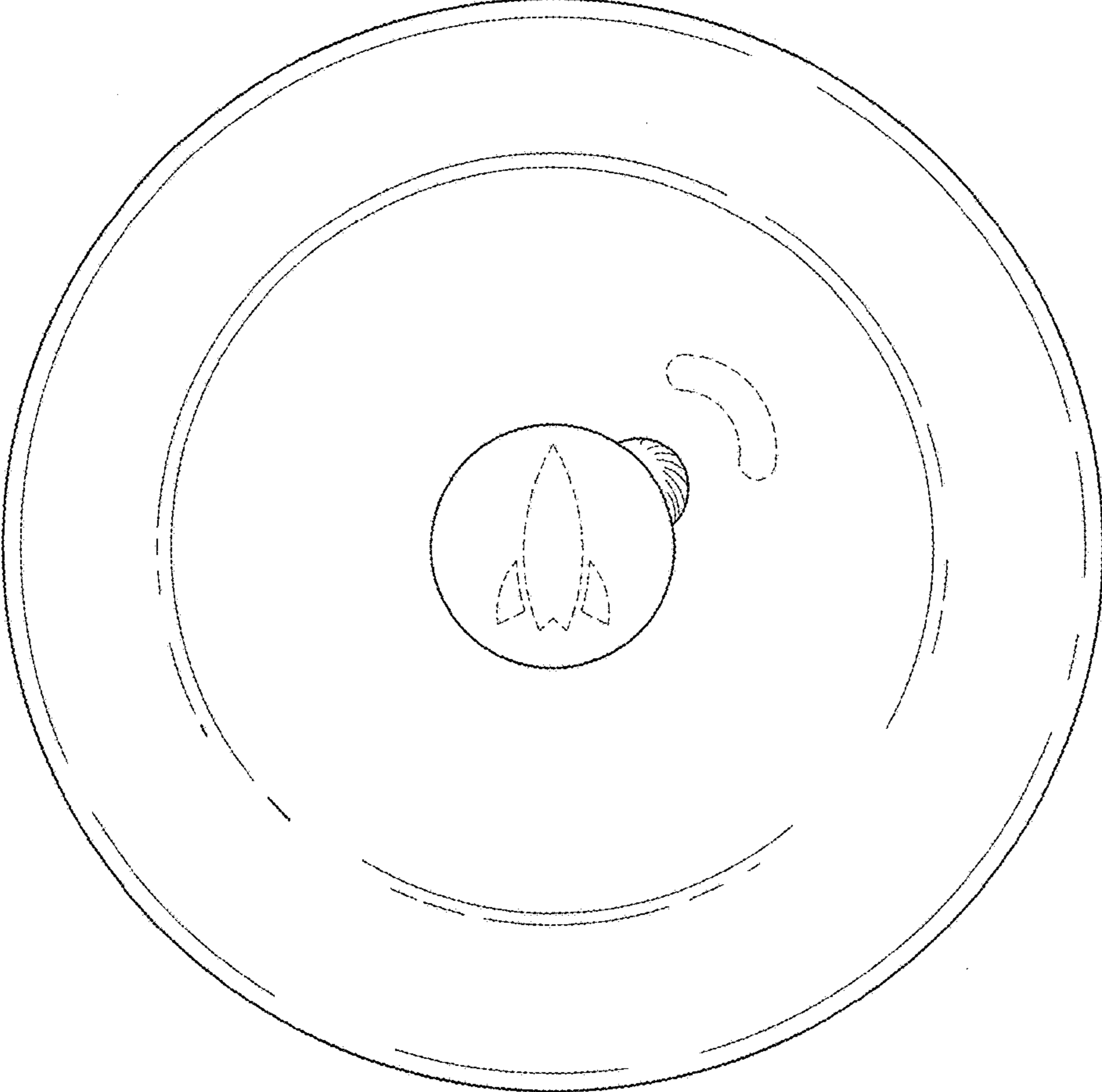


FIG. 3

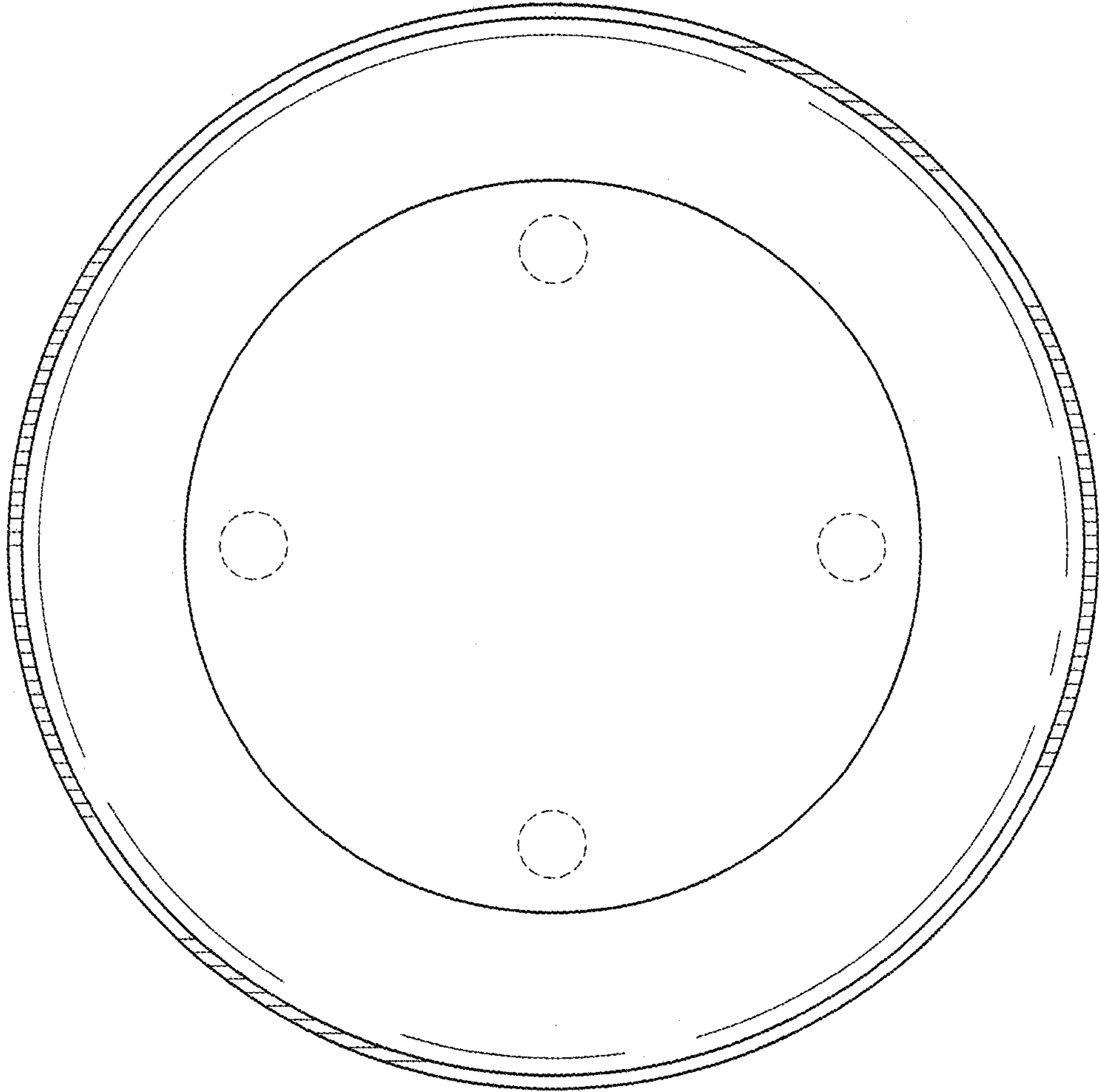


FIG. 4