



US00D831895S

(12) **United States Design Patent** (10) **Patent No.:** **US D831,895 S**
Johnson et al. (45) **Date of Patent:** **** Oct. 23, 2018**

(54) **FACEMASK**

(71) Applicants: **Kyle Johnson**, Albuquerque, NM (US);
Mark F. Horstemeyer, Starkville, MS
(US); **Souma Chowdhury**, Buffalo, NY
(US); **Yuxiong Mao**, Johns Creek, GA
(US)

(72) Inventors: **Kyle Johnson**, Albuquerque, NM (US);
Mark F. Horstemeyer, Starkville, MS
(US); **Souma Chowdhury**, Buffalo, NY
(US); **Yuxiong Mao**, Johns Creek, GA
(US)

(73) Assignee: **Mississippi State University**,
Mississippi State, MS (US)

(**) Term: **15 Years**

(21) Appl. No.: **29/592,988**

(22) Filed: **Feb. 3, 2017**

(51) **LOC (11) Cl.** **29-02**

(52) **U.S. Cl.**
USPC **D29/111**

(58) **Field of Classification Search**
USPC D29/102, 105–107, 108–111, 122;
D2/866, 870, 891
CPC A63B 71/10
See application file for complete search history.

(56) **References Cited**

U.S. PATENT DOCUMENTS

D280,460 S * 9/1985 Gronborg D29/111
4,933,993 A * 6/1990 McClelland A42B 3/20
2/424

D651,355 S * 12/2011 Schwabe D2/870
D758,669 S * 6/2016 Collette D29/111
D764,116 S * 8/2016 Collette D29/106
D767,211 S * 9/2016 Lamson D29/111

* cited by examiner

Primary Examiner — Robert A Delehanty

(74) *Attorney, Agent, or Firm* — Lawrence Arthur
Schemmel

(57) **CLAIM**

The ornamental design for a facemask, as shown and
described.

DESCRIPTION

FIG. 1 is a front view of the facemask showing the design.
FIG. 2 is a front top left side view of the facemask shown
in FIG. 1.

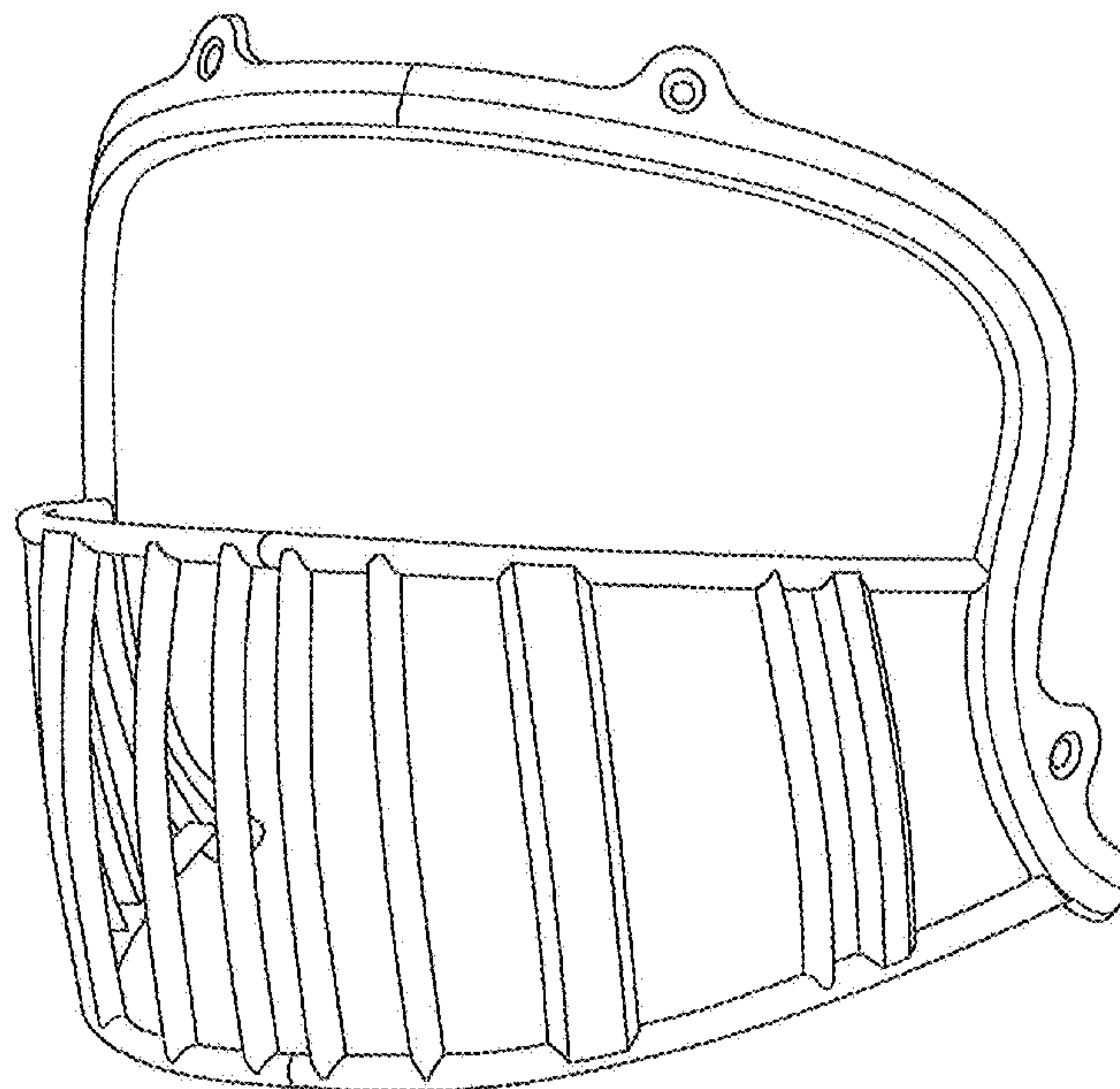
FIG. 3 is a left side view of the facemask shown in FIG. 1.
FIG. 4 is a front bottom left side view of the facemask shown
in FIG. 1.

FIG. 5 is a front side view of the facemask shown in FIG.
1; and,

FIG. 6 is a close-up side view of the facemask left side view
shown in FIG. 3.

The ornamental design which is claimed is shown in the
drawings.

1 Claim, 6 Drawing Sheets



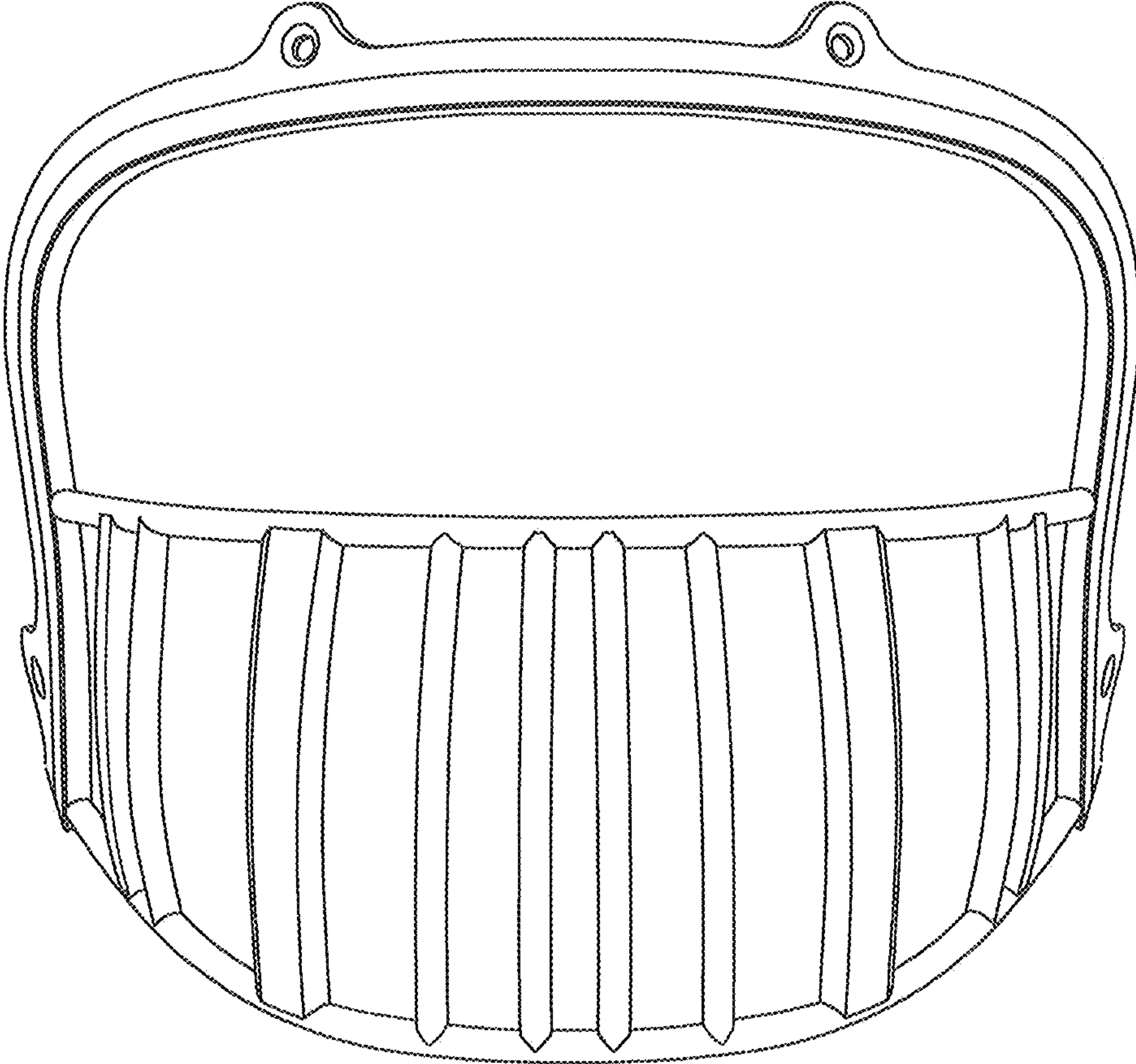


FIG. 1

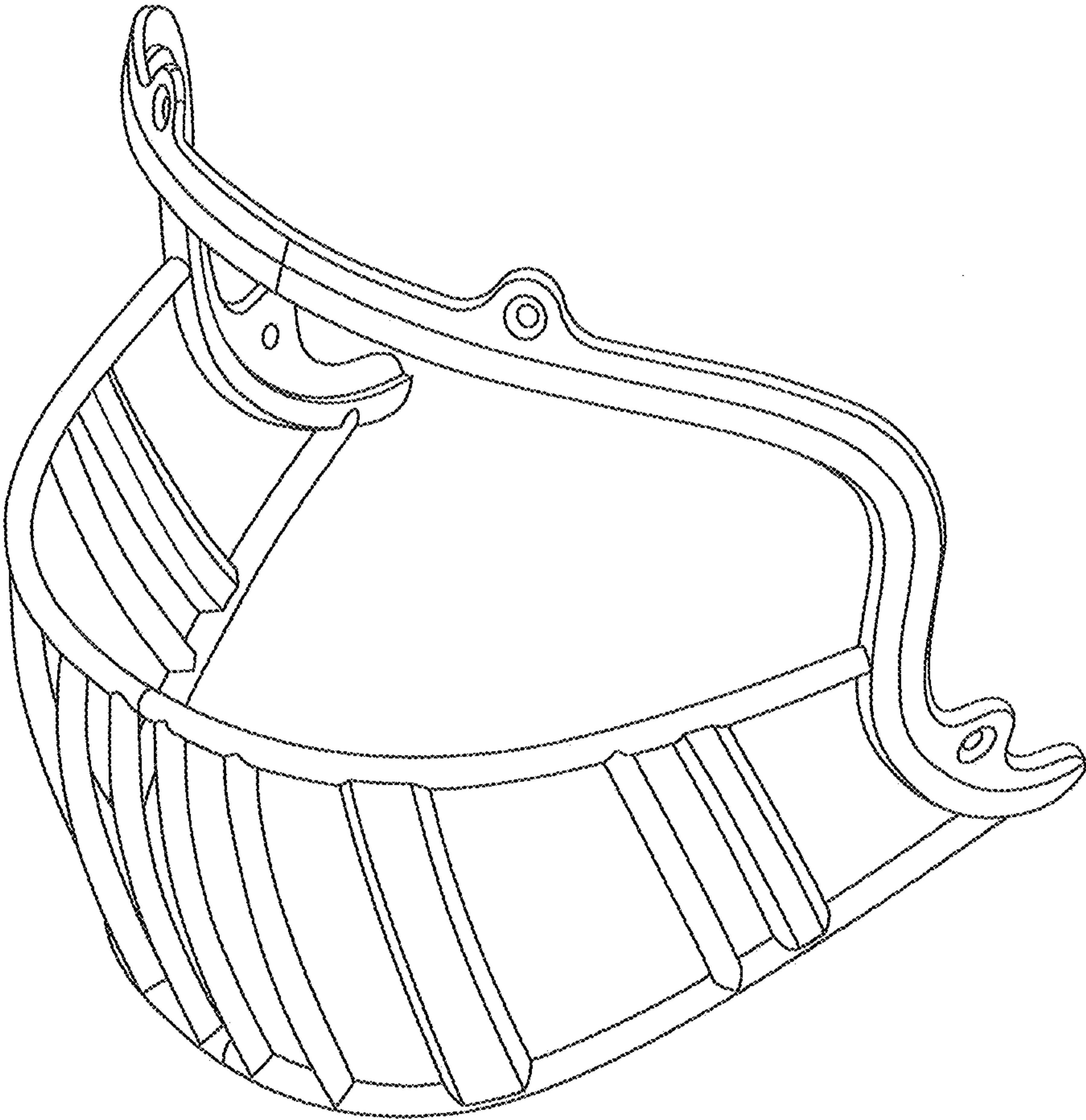


FIG. 2

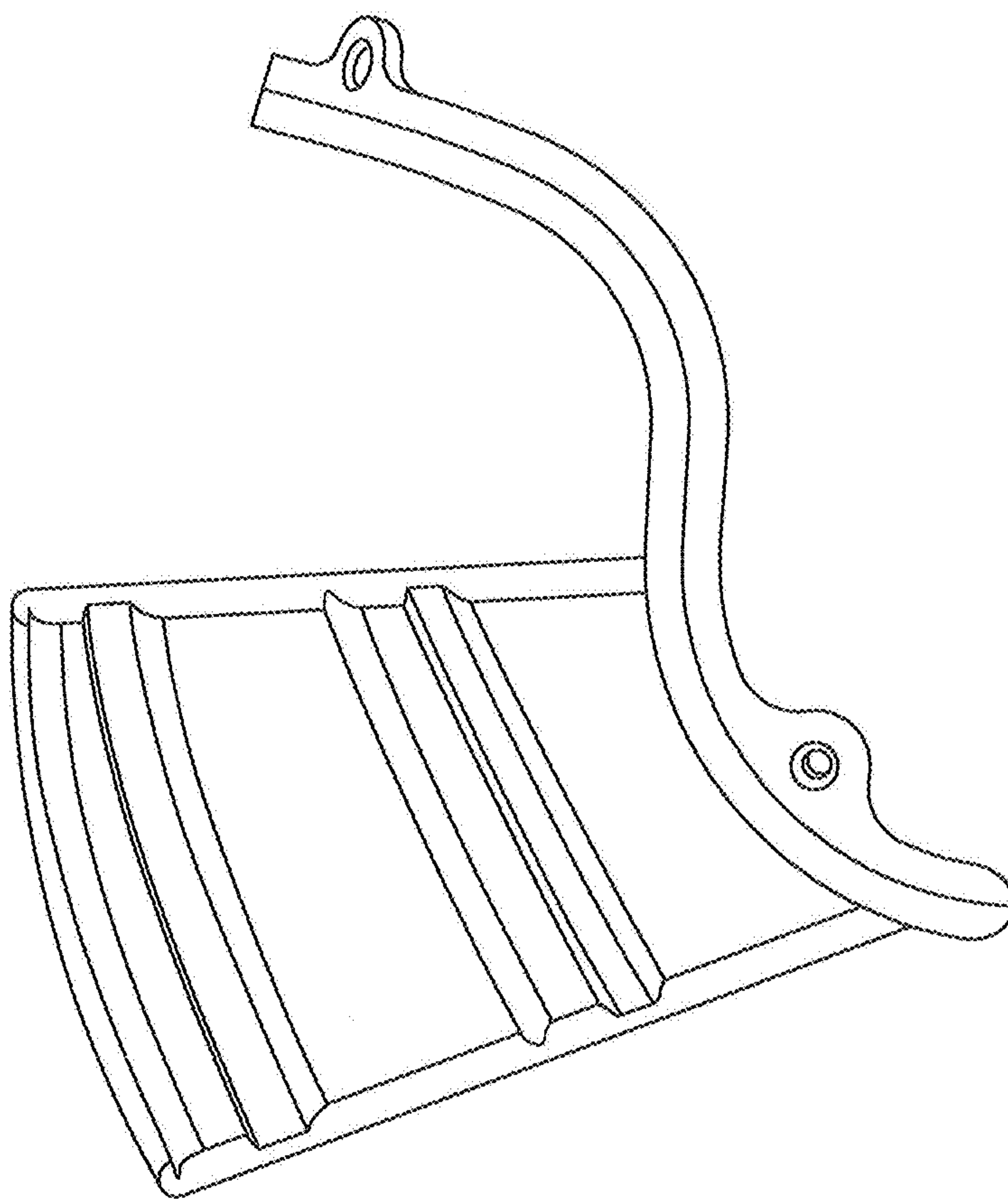


FIG. 3

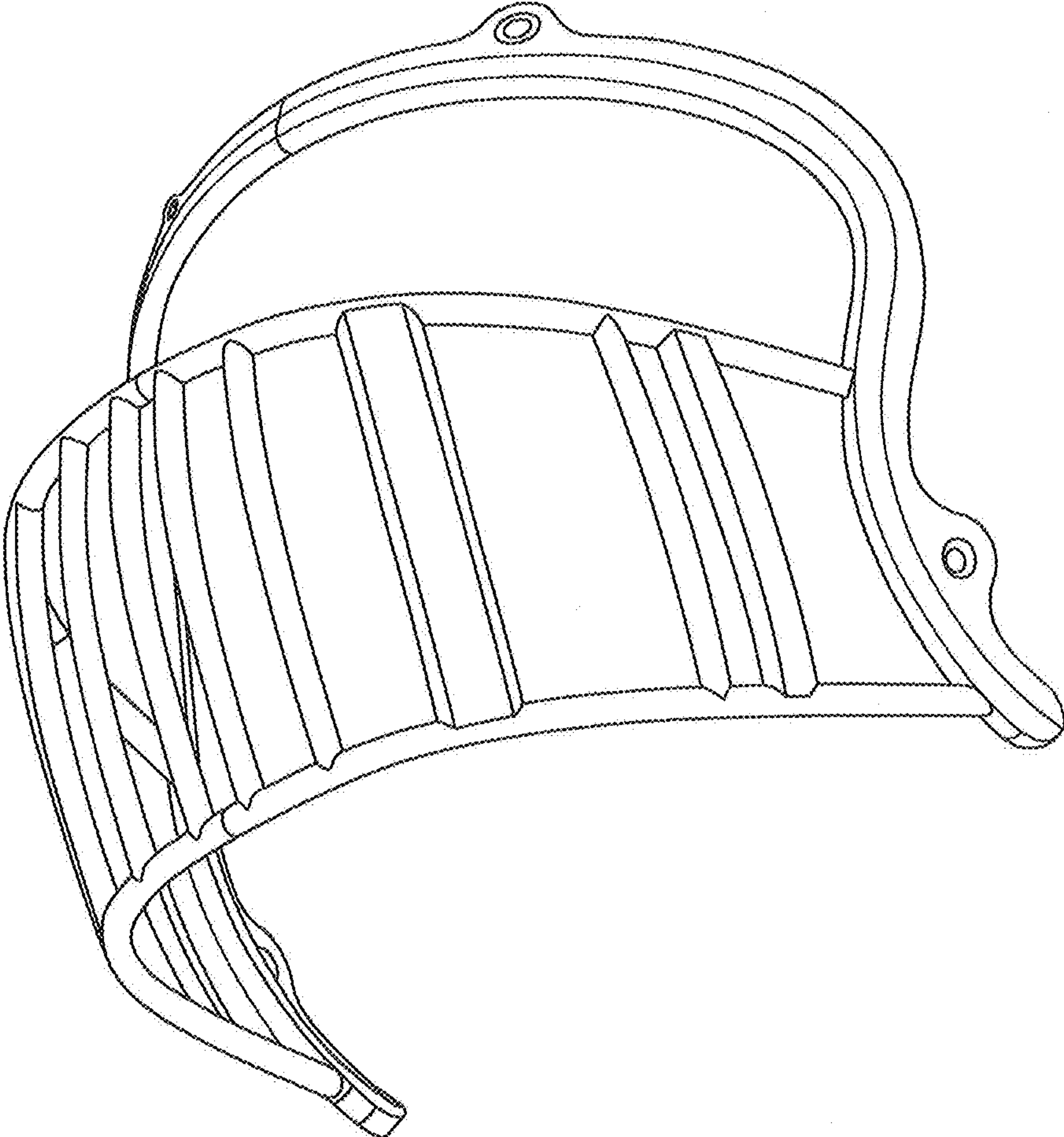


FIG. 4

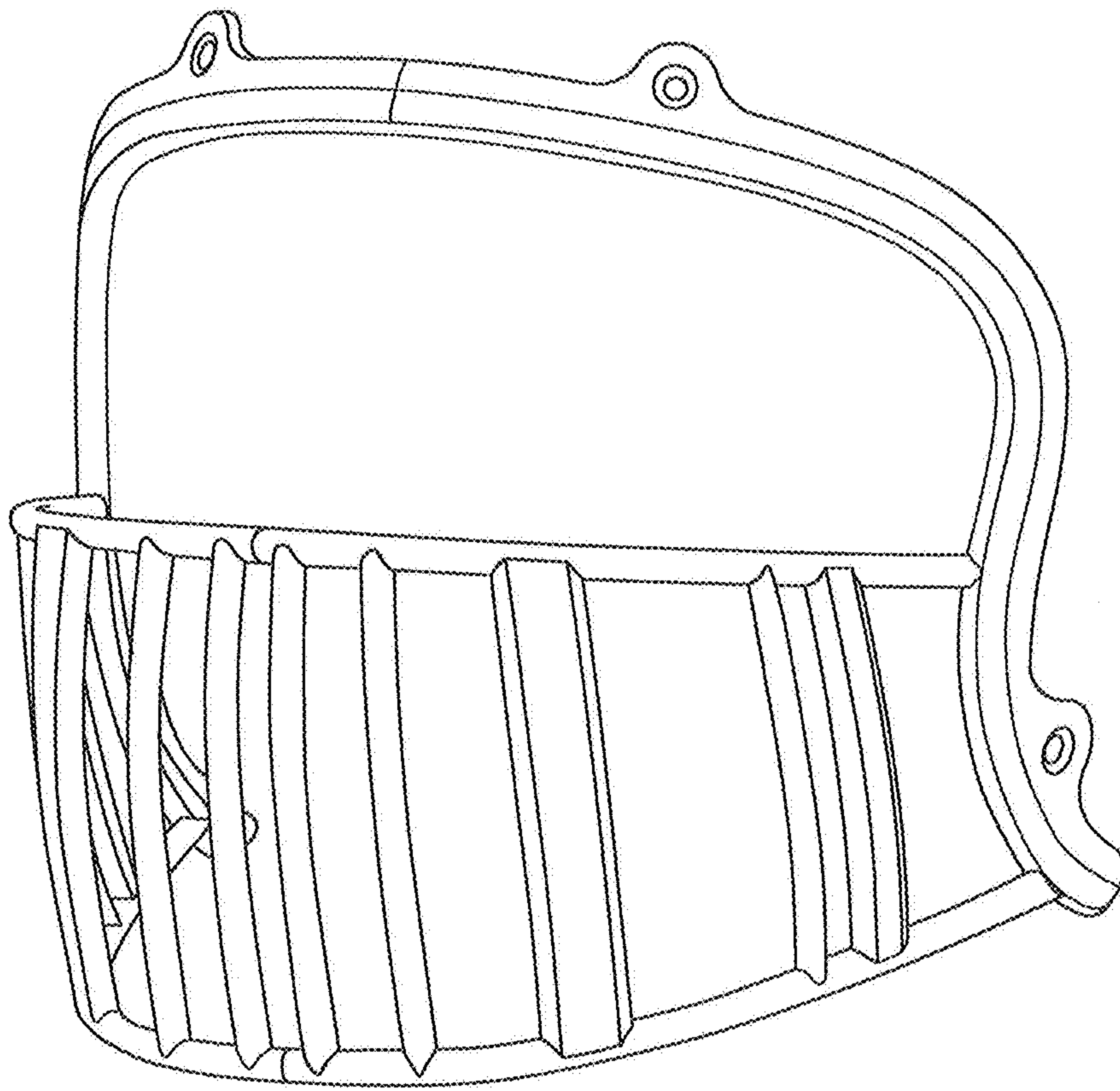


FIG. 5

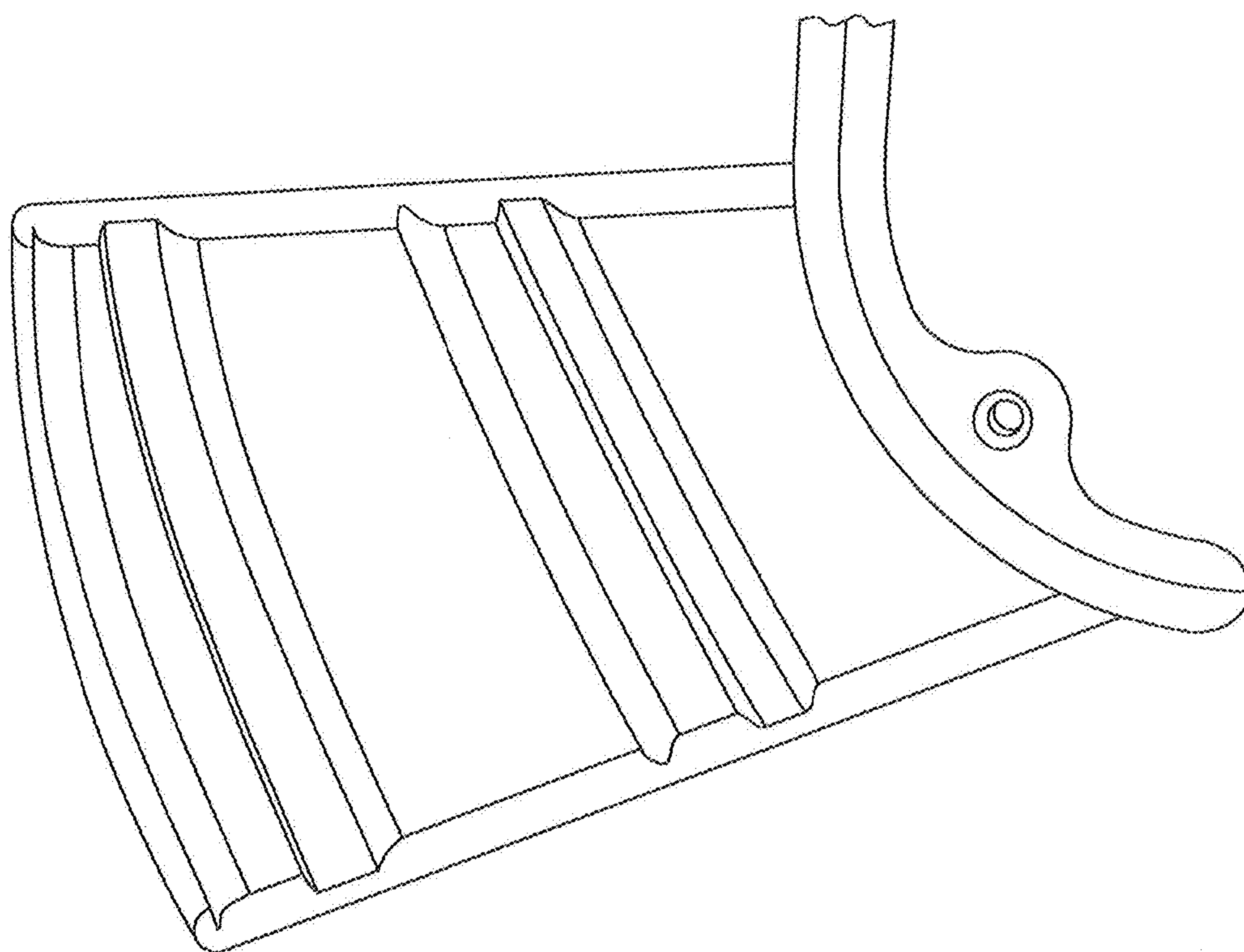


FIG. 6