



US00D831890S

(12) **United States Design Patent** (10) **Patent No.:** **US D831,890 S**
Von Drachenberg et al. (45) **Date of Patent:** **** Oct. 23, 2018**

(54) **MAKEUP PALETTE**

(71) Applicant: **KENDO HOLDINGS, INC.**, San Francisco, CA (US)
(72) Inventors: **Katherine Von Drachenberg**, Los Angeles, CA (US); **Catherine Lee**, Burlingame, CA (US); **Justin Shaltry**, Concord, CA (US); **Daniel Brian Bridges**, New York, NY (US); **Carolina Formoso**, San Francisco, CA (US); **Chad Sommers**, Calabasas, CA (US)
(73) Assignee: **Kendo Holdings, Inc.**, San Francisco, CA (US)

(**) Term: **15 Years**

(21) Appl. No.: **29/631,307**

(22) Filed: **Dec. 28, 2017**

(51) **LOC (11) Cl.** **28-03**

(52) **U.S. Cl.**
USPC **D28/83**

(58) **Field of Classification Search**
USPC D28/76-84
CPC A45D 33/00; A45D 33/003; A45D 33/006-33/008; A45D 33/16; A45D 33/24; A45D 33/20; A45D 2200/051-2200/053; A45D 40/22; A45D 40/24

See application file for complete search history.

(56) **References Cited**

U.S. PATENT DOCUMENTS

D93,317 S * 9/1934 Zell D28/78
2,010,909 A * 8/1935 Zell A45D 33/28
132/297
D280,245 S * 8/1985 Buchet D28/78
D293,837 S * 1/1988 Simonetti D28/83

(Continued)

OTHER PUBLICATIONS

Internet Ad “Urban Decay Stackable Pro Artistry Palette,” (5 pages)—including internet link: https://www.urbandecay.com/stackable-pro-artistry-palette-by-urban-decay/3605971090011.html?kpid=3605971090011&gclid=Cj0KCQiA4bzSBRDOARIsAHJ1UO56tW5uEccRR99E3Tr2xXYjTn39nXcHkXuOy_IORbl8lq6CvFhXvl8aAkxhEALw_wcB.

Primary Examiner — Jennifer Rivard
(74) *Attorney, Agent, or Firm* — Sideman & Bancroft LLP; Guy W. Chambers

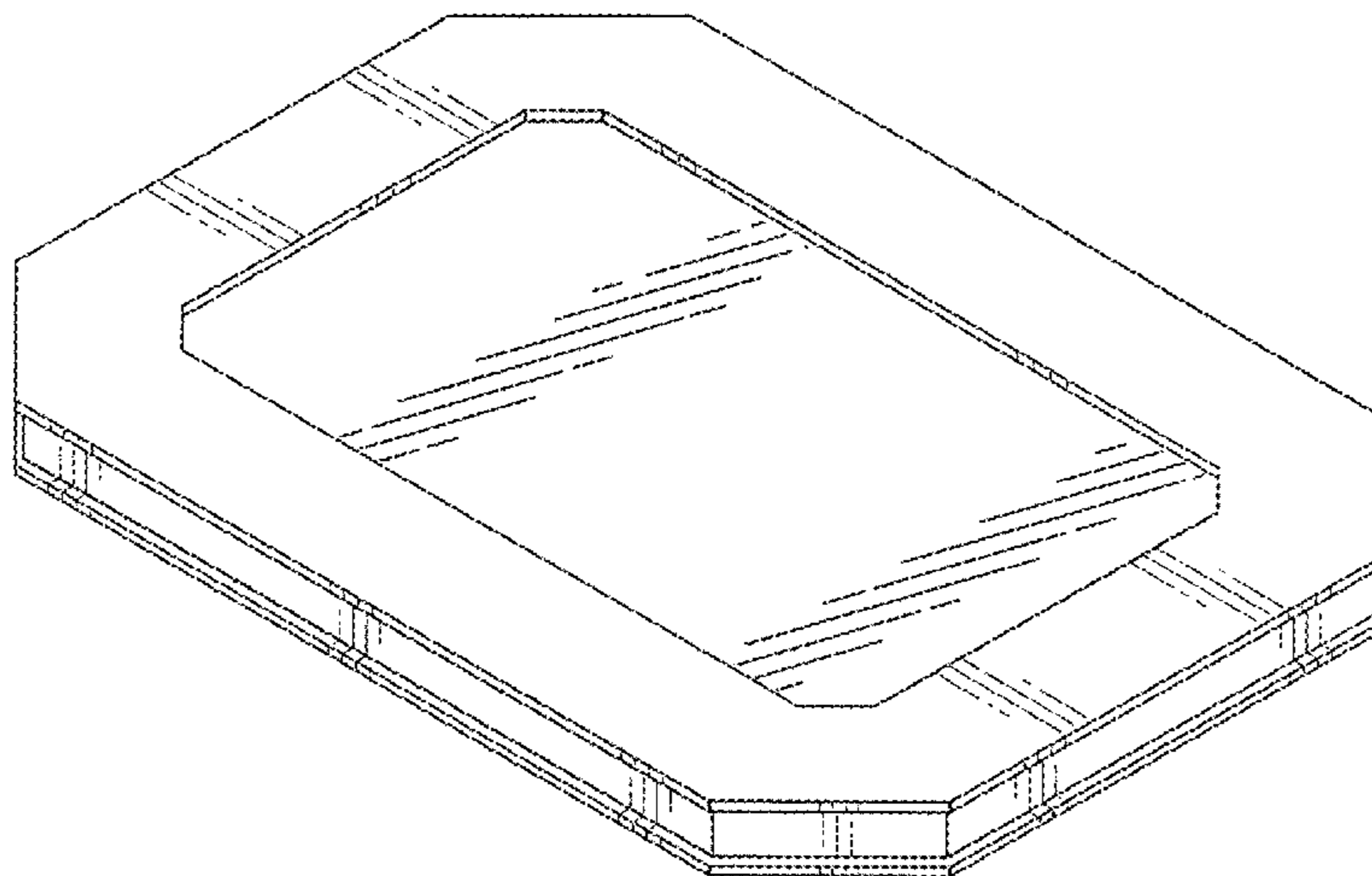
(57) **CLAIM**

The ornamental design for the makeup palette, as shown and described.

DESCRIPTION

FIG. 1 is a perspective view of the makeup palette showing our new design with the top cover closed;
FIG. 2 is a top view thereof with the top cover closed;
FIG. 3 is a bottom view thereof with the top cover closed;
FIG. 4 is a front view thereof with the top cover closed;
FIG. 5 is a rear view thereof with the top cover closed;
FIG. 6 is a right side view thereof with the top cover closed;
FIG. 7 is a left side view thereof with the top cover closed;
FIG. 8 is a perspective view of the makeup palette showing our new design with the top cover partially open;
FIG. 9 is a right side view thereof with the top cover partially open;
FIG. 10 is a perspective view of the makeup palette showing our new design with the top cover fully open;
FIG. 11 is a top view thereof with the top cover fully open; and,
FIG. 12 is a right side view thereof with the top cover fully open.
The circular makeup pans illustrate the environment of the claimed design. The remaining broken lines illustrate a portion of the makeup palette. None of the broken lines forms part of the claimed design.

1 Claim, 10 Drawing Sheets



(56)

References Cited

U.S. PATENT DOCUMENTS

D303,582 S *	9/1989	Gavin	D28/78
D597,256 S	7/2009	Liden		
D642,743 S	8/2011	Shteyzel		
D723,742 S *	3/2015	Shteyzel	D28/83
D790,134 S *	6/2017	Shteyzel	D28/64.3
2009/0152162 A1 *	6/2009	Tian	H01L 21/67353 206/710
2010/0031971 A1 *	2/2010	Ha	A45D 33/006 132/293
2013/0133686 A1 *	5/2013	Shteyzel	A45D 40/24 132/314
2017/0273438 A1 *	9/2017	Liu	A45D 40/221

* cited by examiner

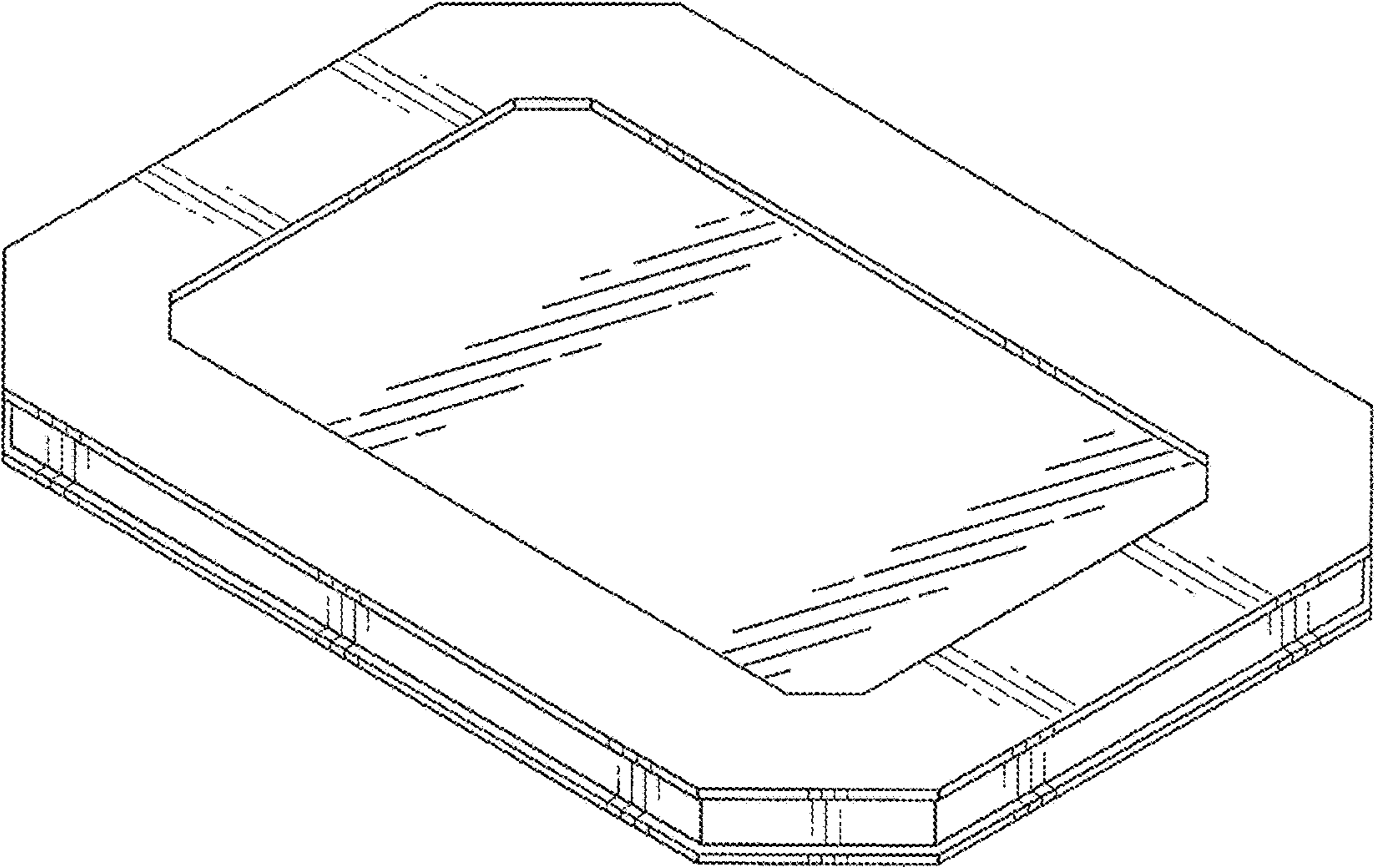


FIG. 1

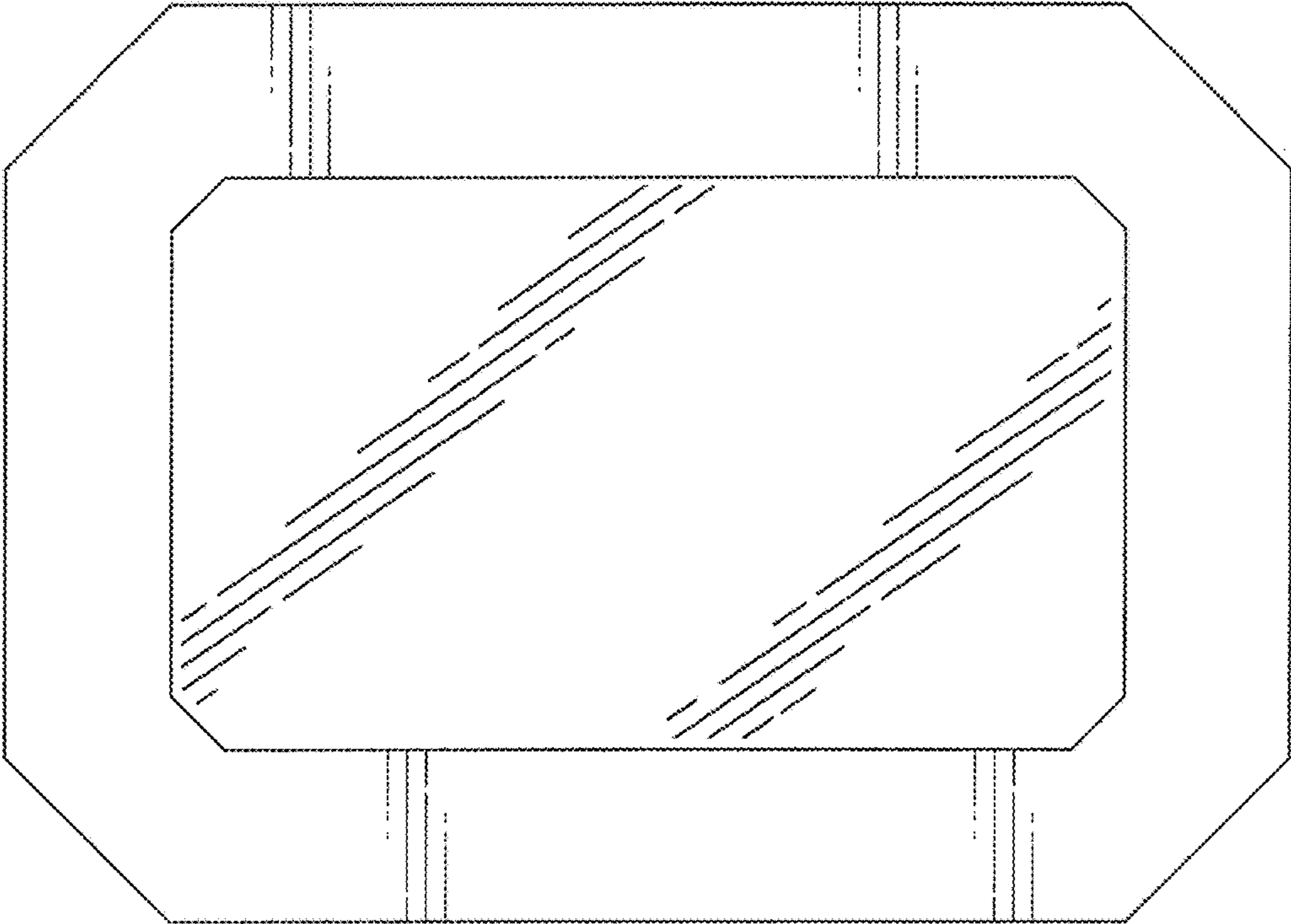


FIG. 2

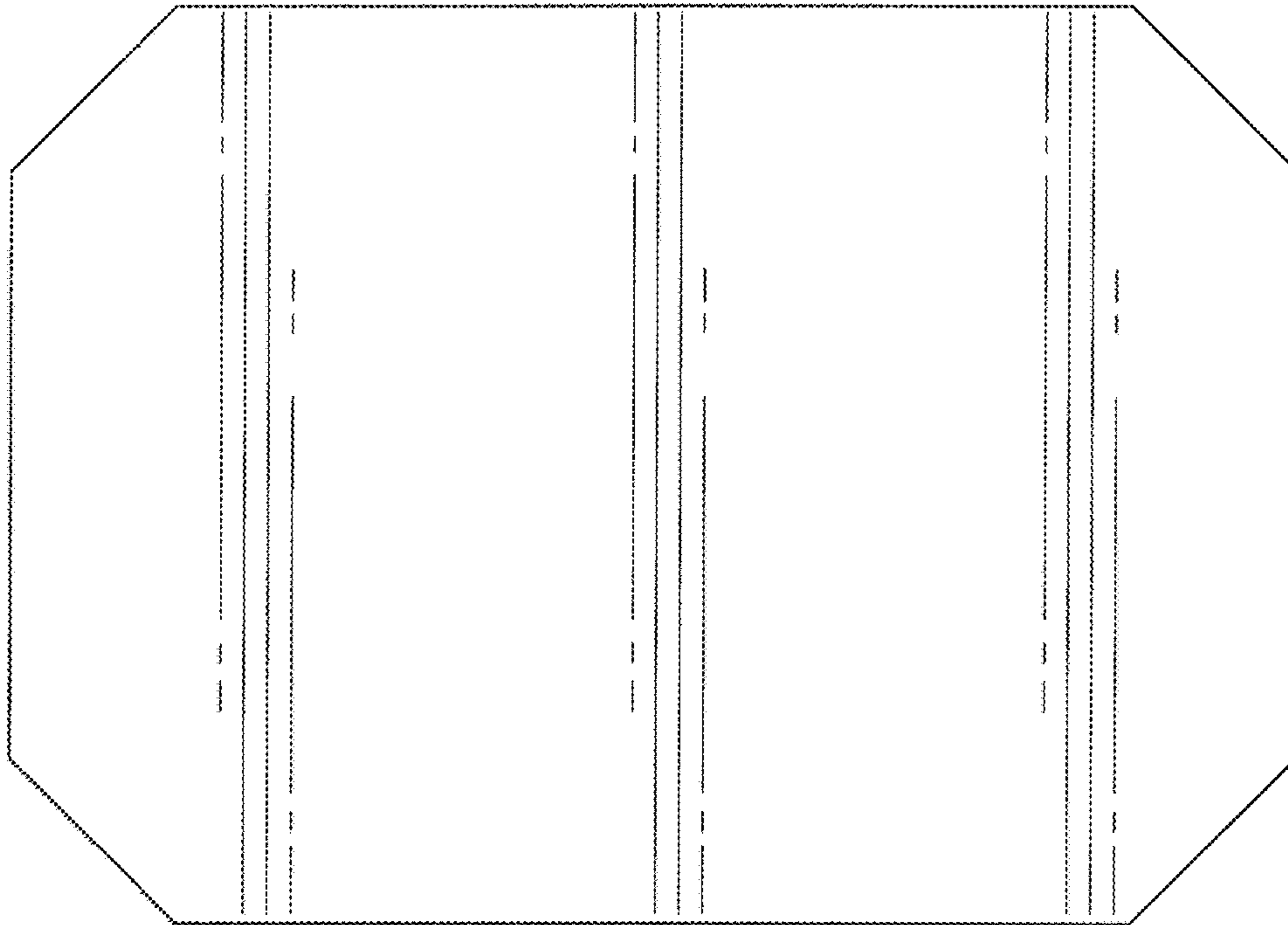


FIG. 3

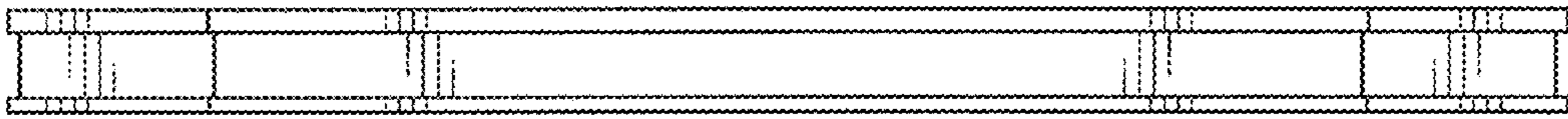


FIG. 4

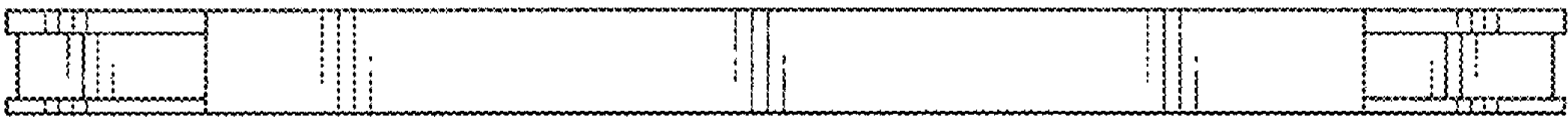


FIG. 5

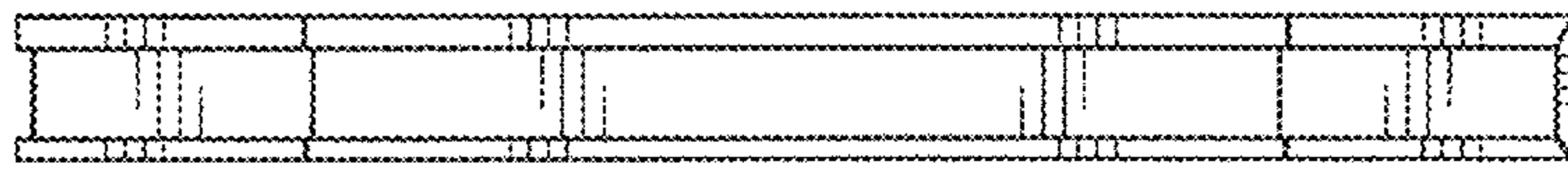


FIG. 6



FIG. 7

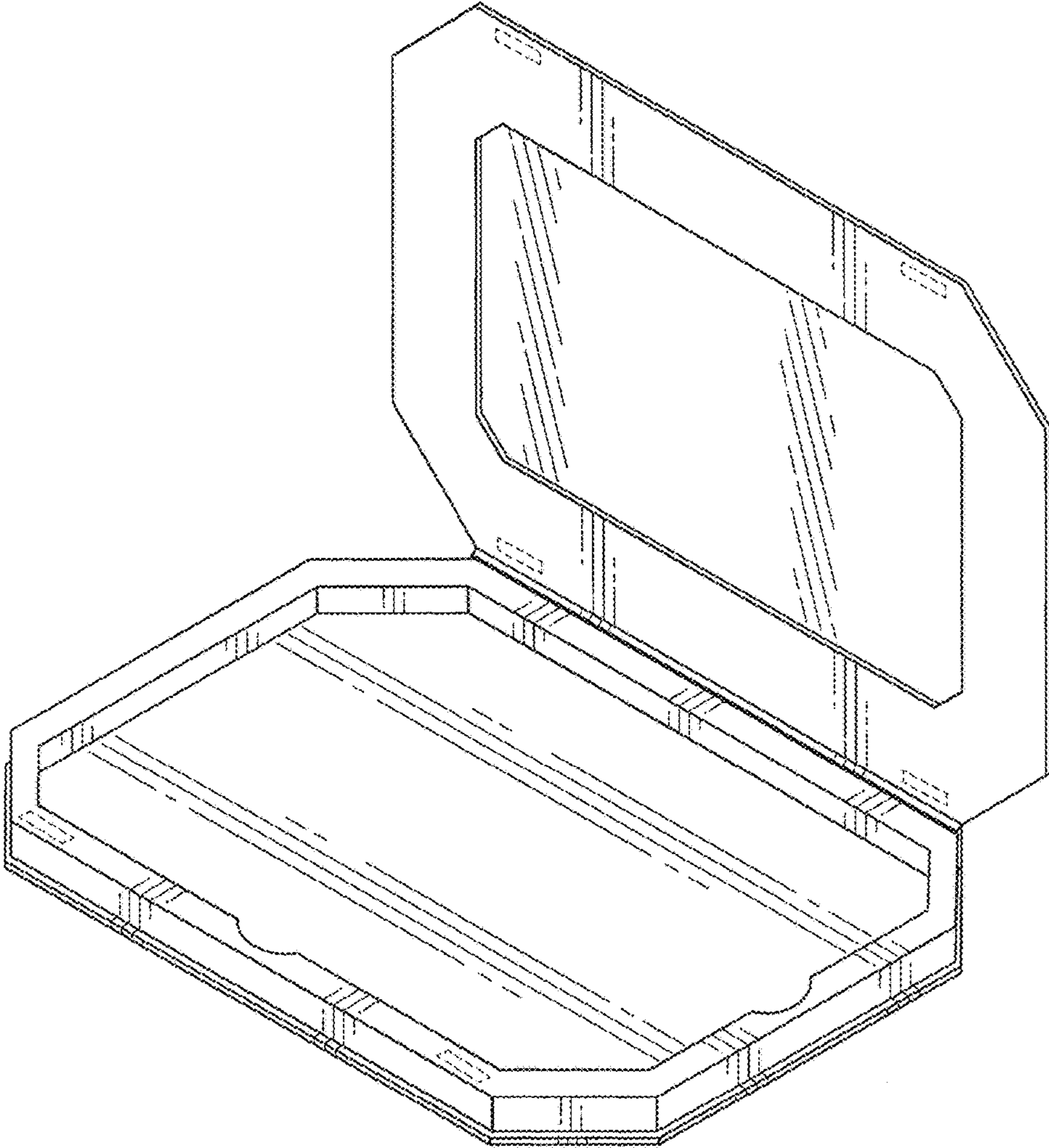


FIG. 8

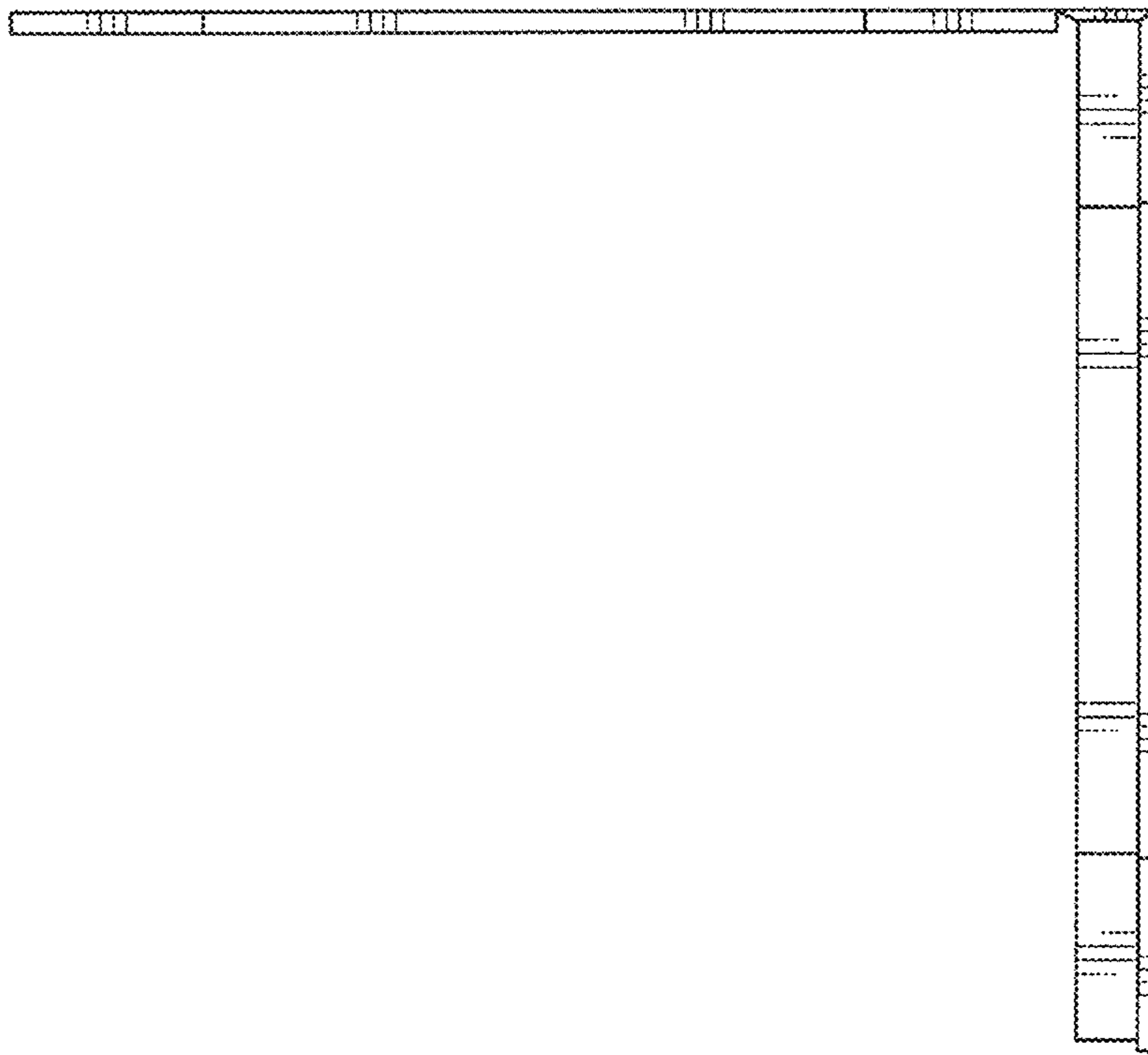


FIG. 9

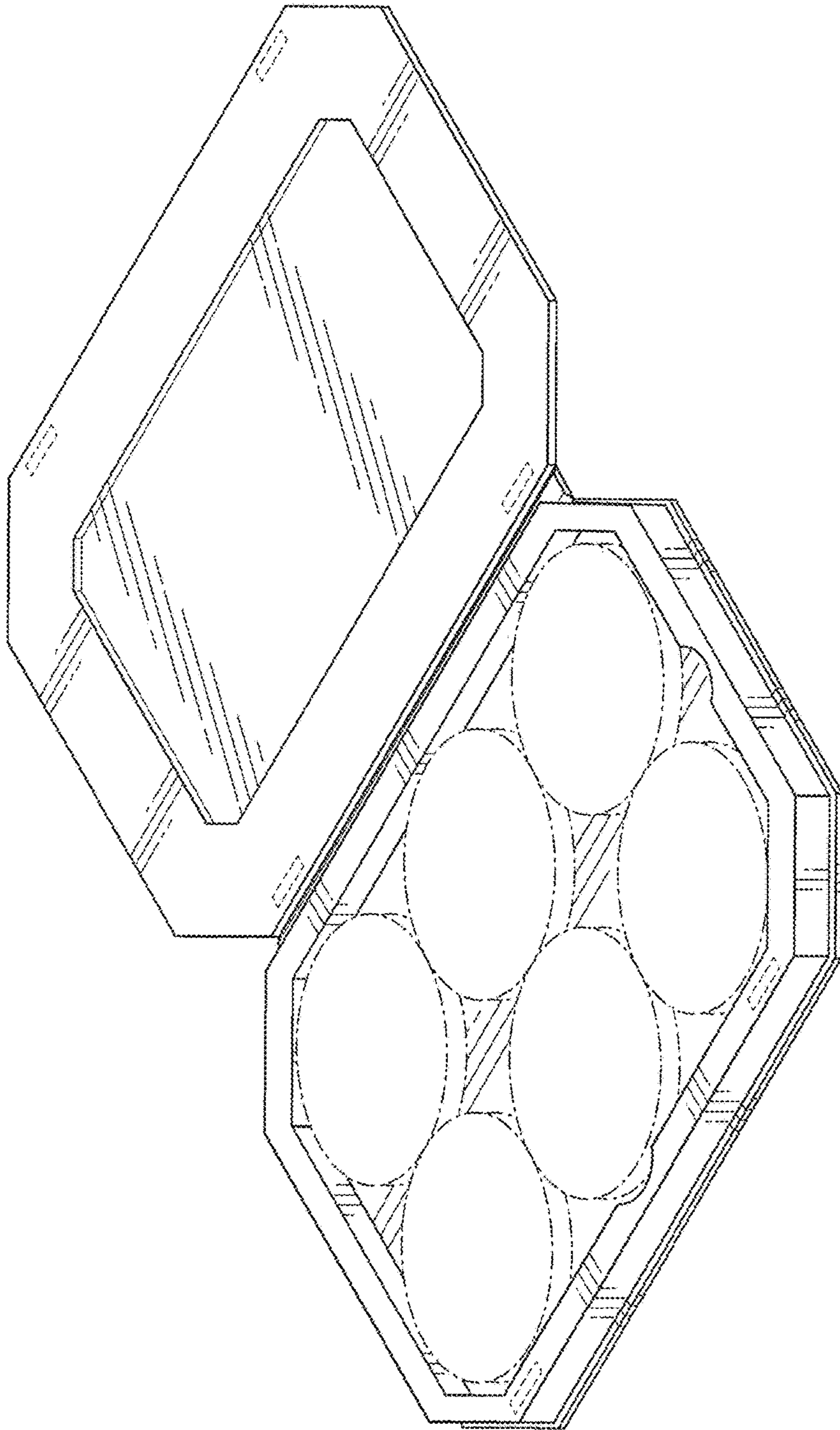


FIG. 10

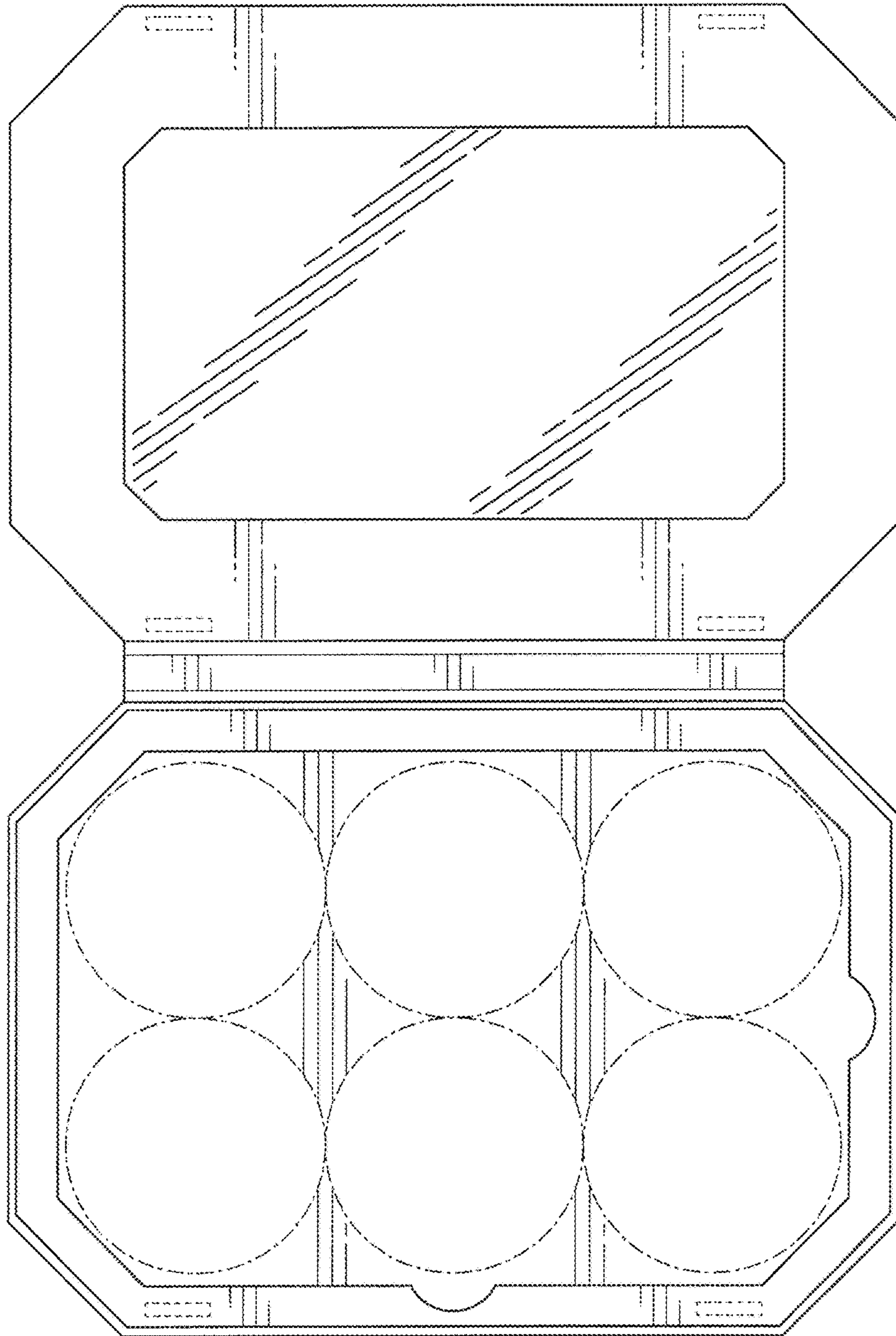


FIG. 11



FIG. 12