

US00D831888S

(12) **United States Design Patent** (10) **Patent No.:** **US D831,888 S**
Hodgson et al. (45) **Date of Patent:** **** Oct. 23, 2018**

- (54) **PERSONAL CARE APPLIANCE**
- (71) Applicant: **The Gillette Company**, Boston, MA (US)
- (72) Inventors: **Matthew James Hodgson**, Ramsbury (GB); **Christopher Turner**, Parker, CO (US); **Gary Hoyt Schlatter**, Cherry Hills Village, CO (US); **David Barchus**, Wheatridge, CO (US)
- (73) Assignee: **The Gillette Company LLC**, Boston, MA (US)
- (**) Term: **15 Years**
- (21) Appl. No.: **29/571,059**
- (22) Filed: **Jul. 14, 2016**
- (51) **LOC (11) Cl.** **28-03**
- (52) **U.S. Cl.**
USPC **D28/47**
- (58) **Field of Classification Search**
USPC D28/44, 45–48
CPC B26B 21/54–21/60; B26B 21/00–21/06; B26B 21/08–21/125; B26B 21/14–21/20; B26B 21/22–21/24; B26B 21/28; B26B 21/30–21/32; B26B 21/34–21/38; B26B 21/40–21/4031; B26B 21/4043; B26B 21/4062; B26B 21/4068–21/4075; B26B 21/44–21/443; B26B 21/52–21/528
See application file for complete search history.

- D419,722 S * 1/2000 Prochaska D28/46
- D421,155 S * 2/2000 Grange D28/48
- D435,316 S 12/2000 Chenvainu et al.
- D453,396 S * 2/2002 Grange D28/46
- D550,400 S * 9/2007 Orloff D28/47
- D602,634 S 10/2009 Cataudella et al.
- D631,198 S * 1/2011 Adams D28/47
- D638,580 S * 5/2011 Adams D28/46
- D698,999 S * 2/2014 Otsuka D28/47
- D710,542 S * 8/2014 Eagleton D28/48
- D747,550 S * 1/2016 Eagleton D28/48
- D772,484 S * 11/2016 Otsuka D28/47
- D778,498 S * 2/2017 Petratou D28/47

(Continued)

Primary Examiner — Jennifer Rivard
(74) *Attorney, Agent, or Firm* — John M. Lipchitz

(57) **CLAIM**

The ornamental design for a personal care appliance, as shown and described.

DESCRIPTION

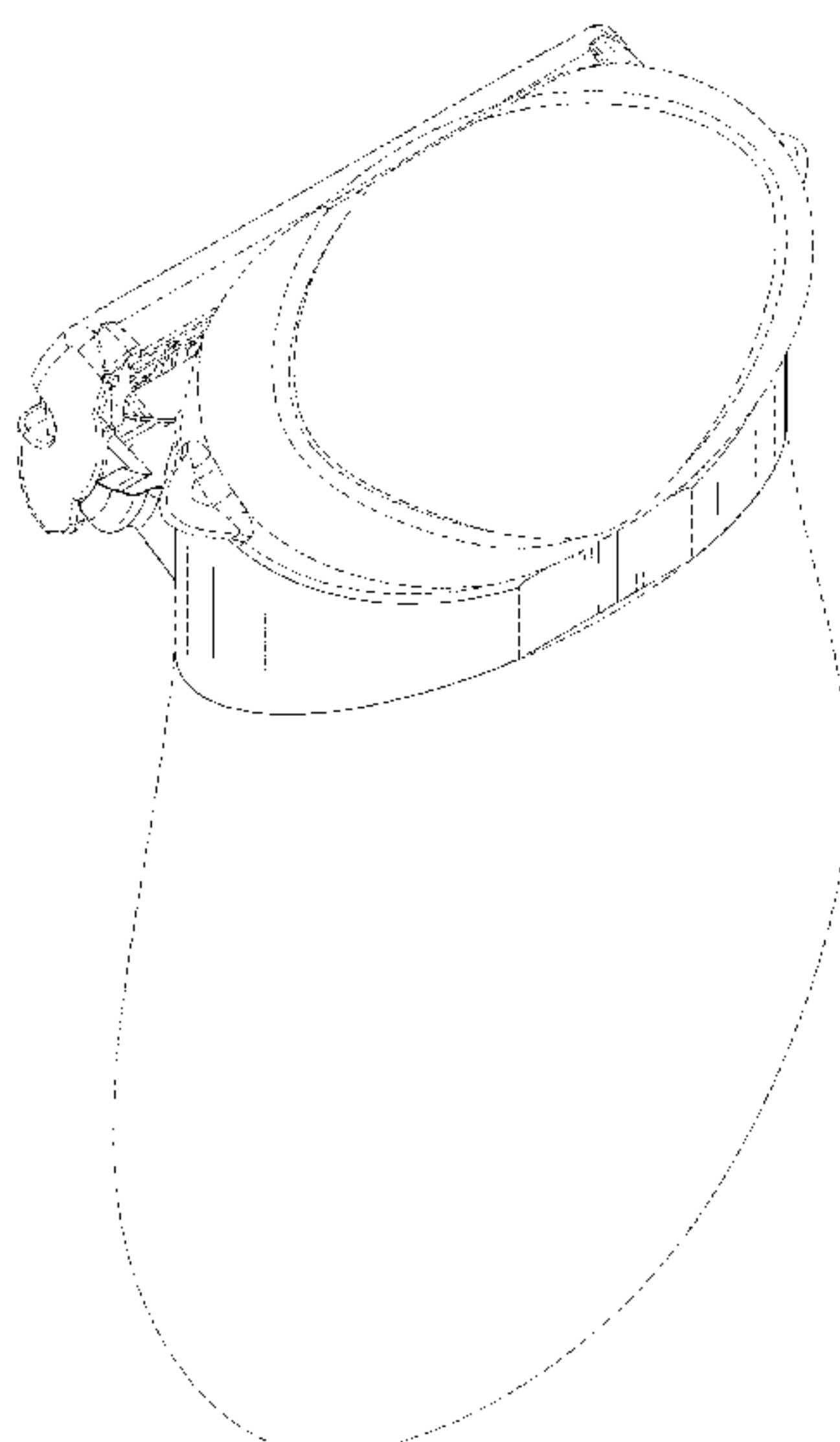
FIG. 1 is a perspective view of a personal care appliance showing our new design;
 FIG. 2 is a rear view thereof;
 FIG. 3 is a front view thereof;
 FIG. 4 is a right view thereof;
 FIG. 5 is a left view thereof;
 FIG. 6 is a top view thereof;
 FIG. 7 is a bottom view thereof;
 FIG. 8 is a second perspective view of the personal care appliance of FIG. 1;
 FIG. 9 is a second rear view thereof;
 FIG. 10 is a second front view thereof;
 FIG. 11 is a second right view thereof;
 FIG. 12 is a second left view thereof;
 FIG. 13 is a second top view thereof; and,
 FIG. 14 is a second bottom view thereof.
 The broken lines illustrate portions of the personal care appliance and form no part of the claimed design.

1 Claim, 8 Drawing Sheets

(56) **References Cited**

U.S. PATENT DOCUMENTS

- D250,664 S * 12/1978 Kruger D28/46
- D254,992 S * 5/1980 Chase D28/46
- D346,880 S * 5/1994 Meisner D28/48
- 5,692,529 A * 12/1997 Fekete A45D 42/08
132/291
- D413,181 S * 8/1999 Yamagishi D28/48



(56)

References Cited

U.S. PATENT DOCUMENTS

D791,409 S	*	7/2017	Eagleton	D28/48
D805,252 S	*	12/2017	Newlin	D28/48
D806,951 S	*	1/2018	Micinilio	D28/46
D806,952 S	*	1/2018	Micinilio	D28/48

* cited by examiner

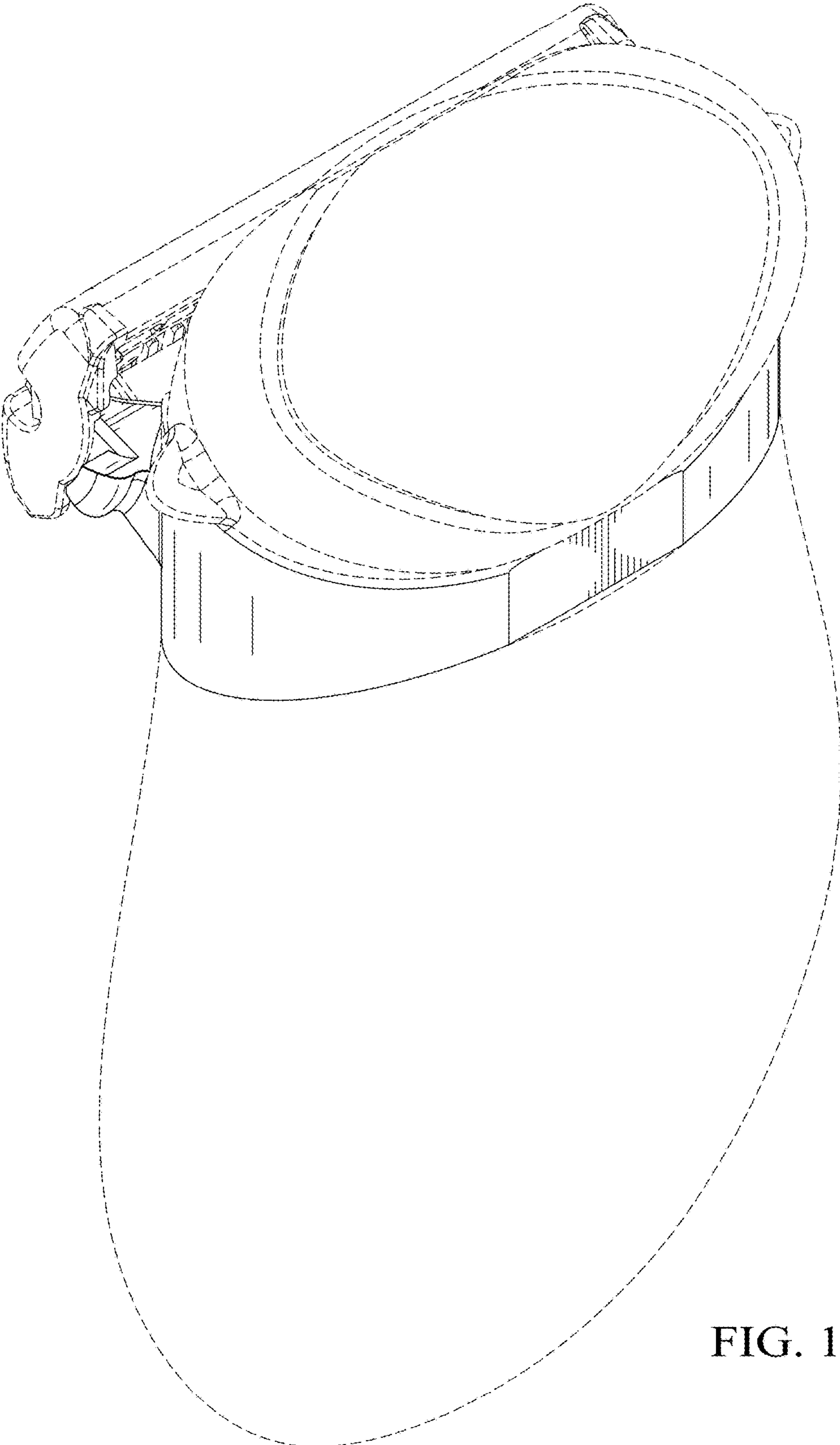


FIG. 1

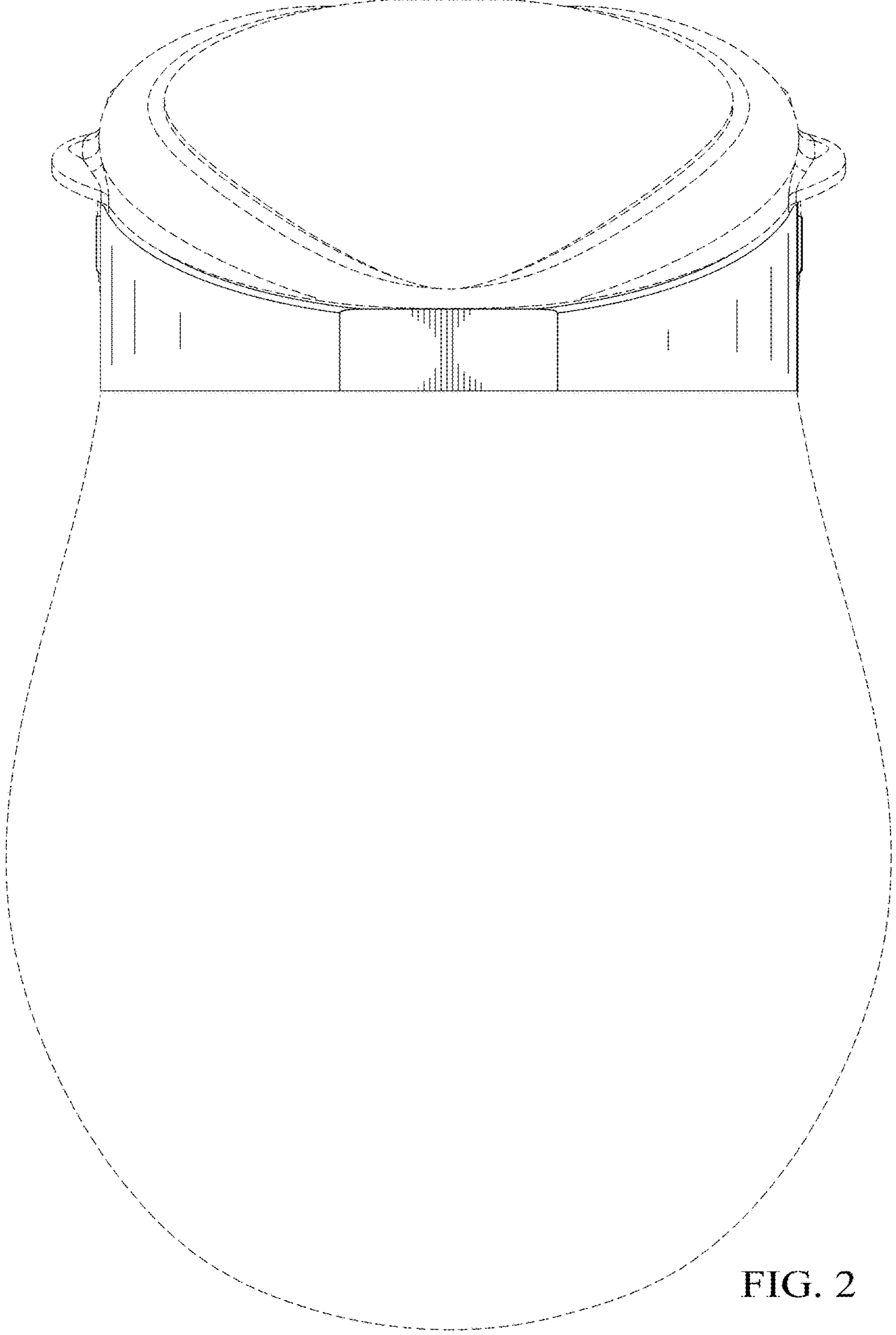


FIG. 2

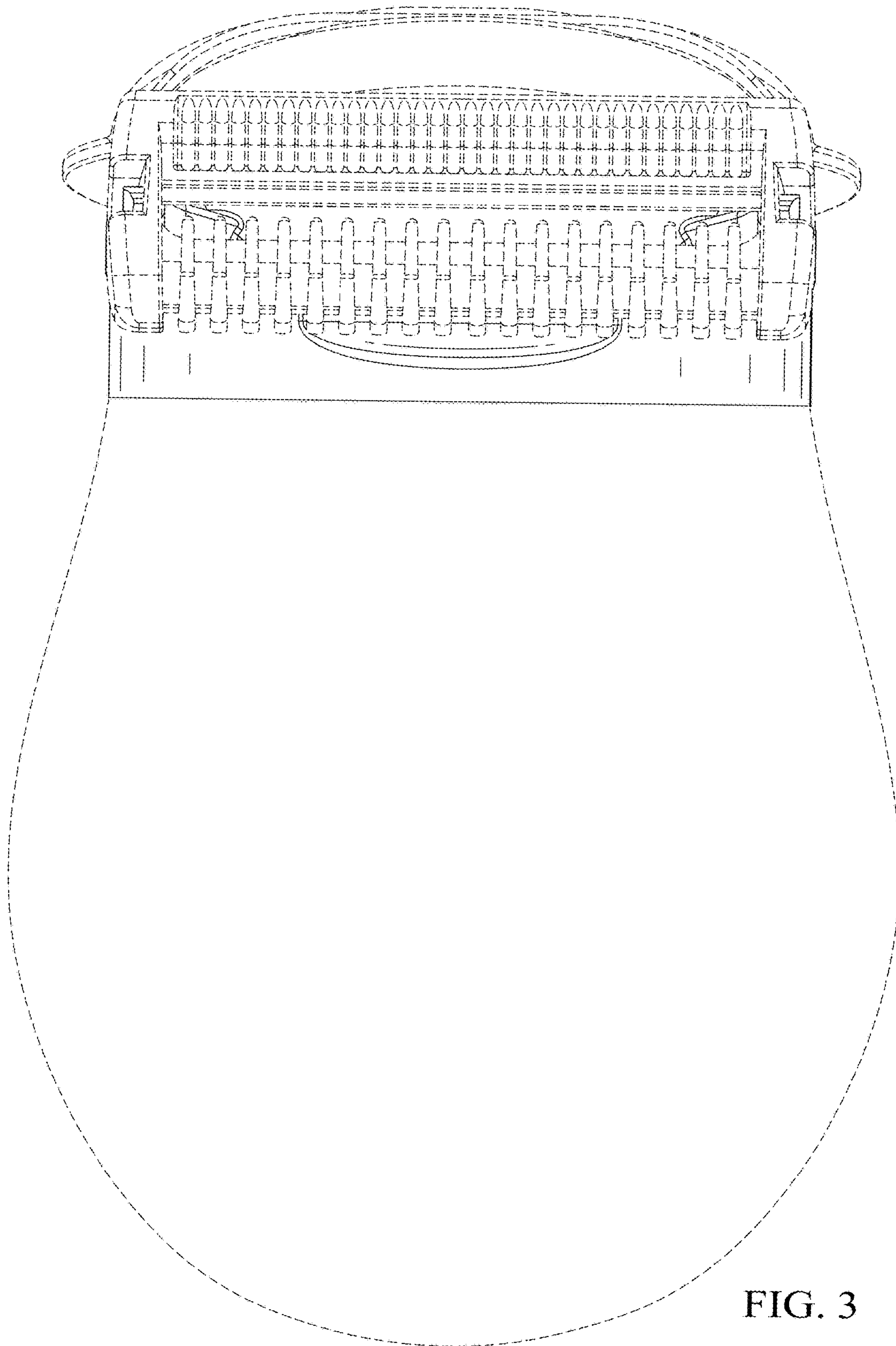


FIG. 3

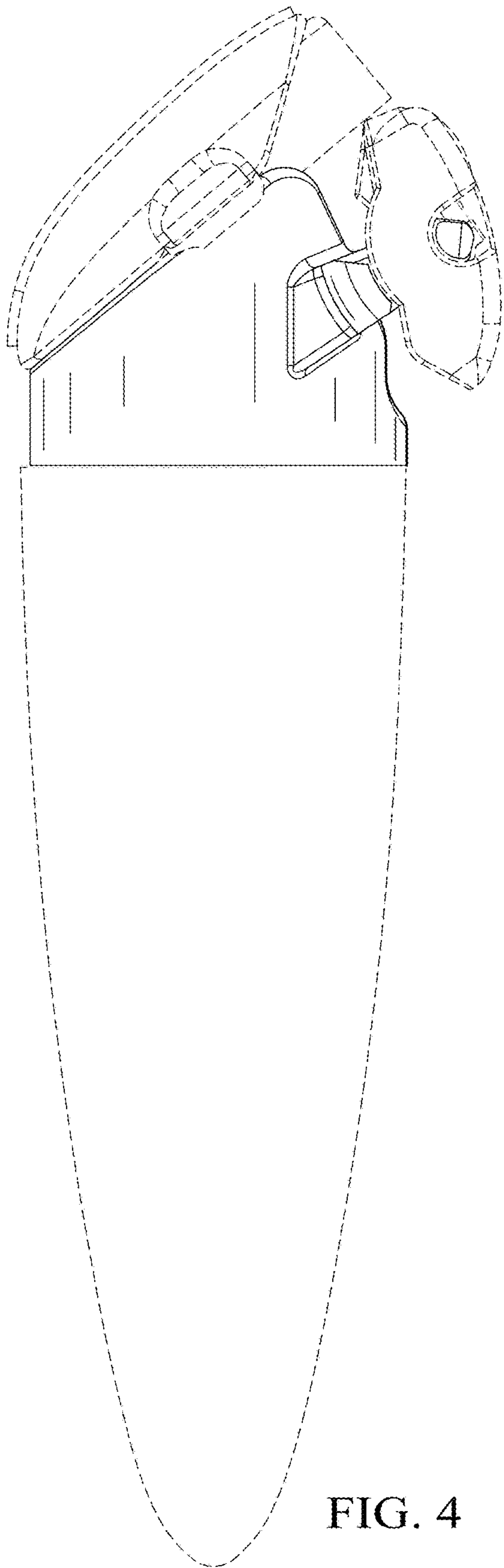


FIG. 4

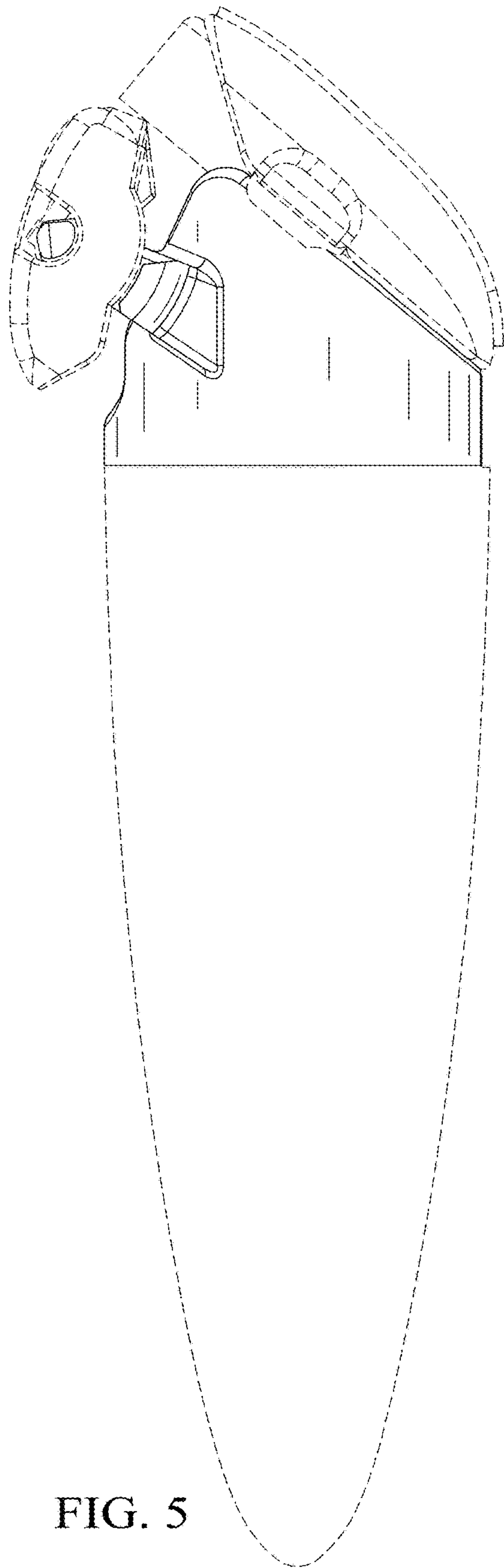


FIG. 5

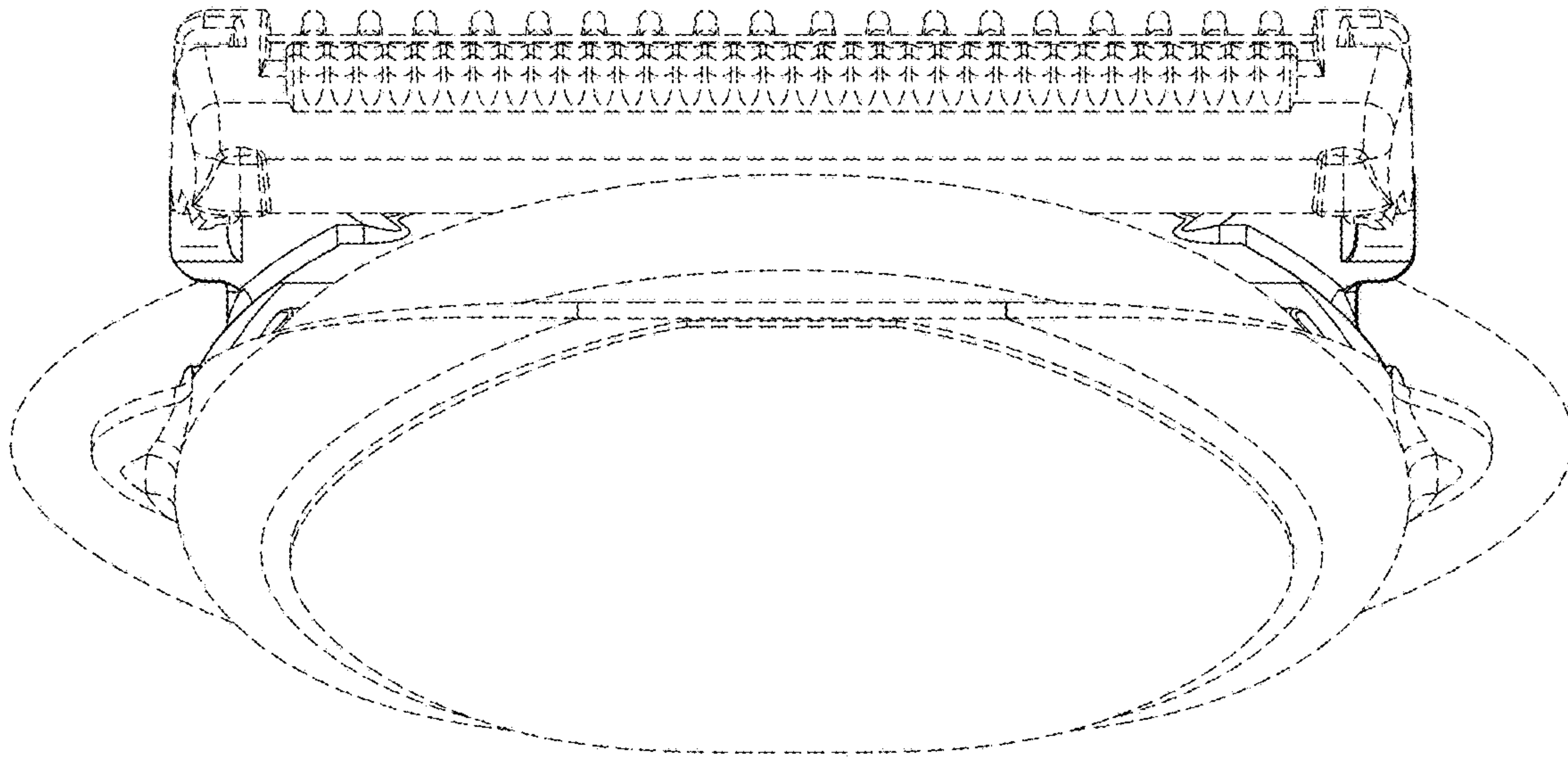


FIG. 6

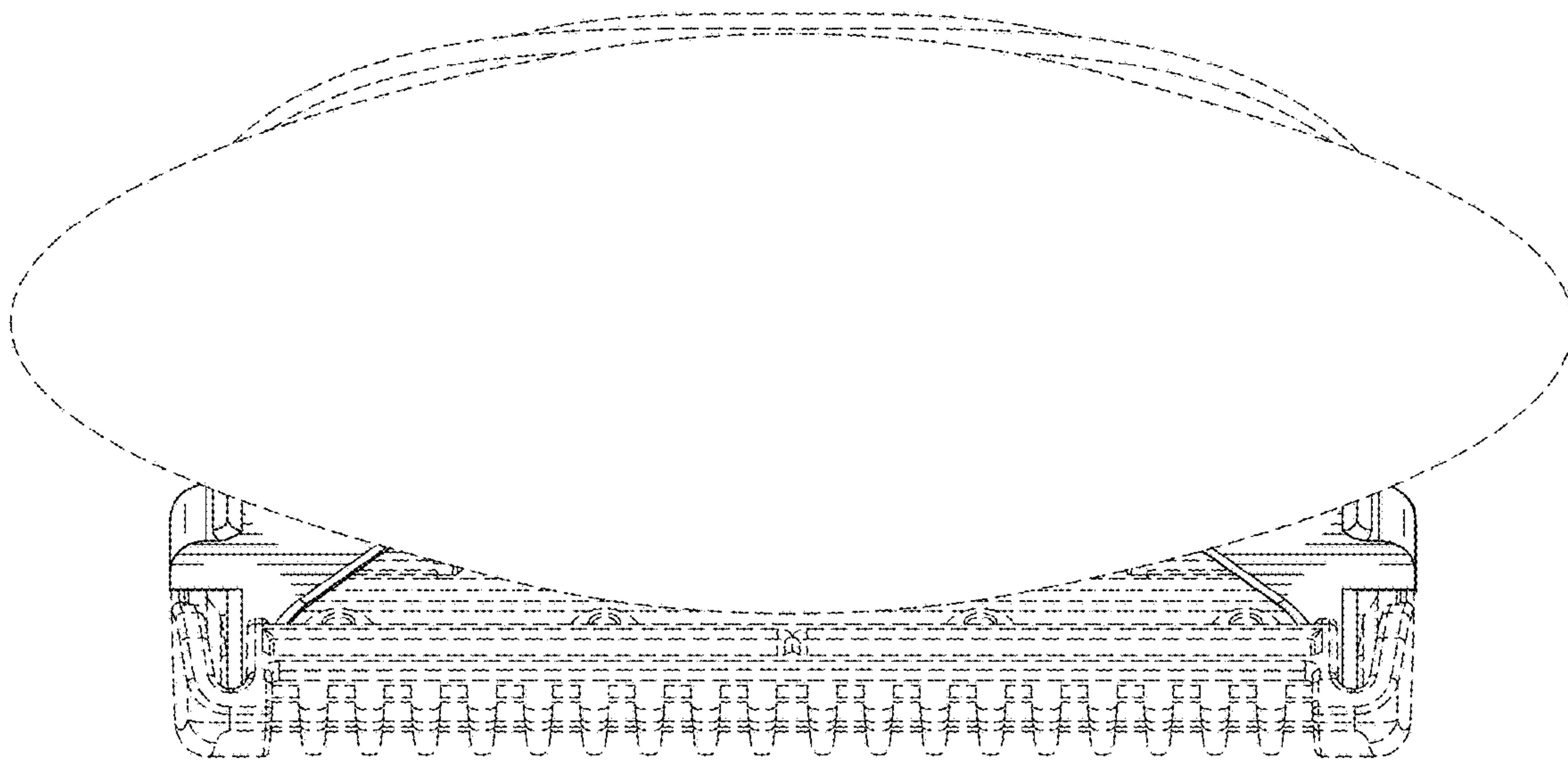


FIG. 7

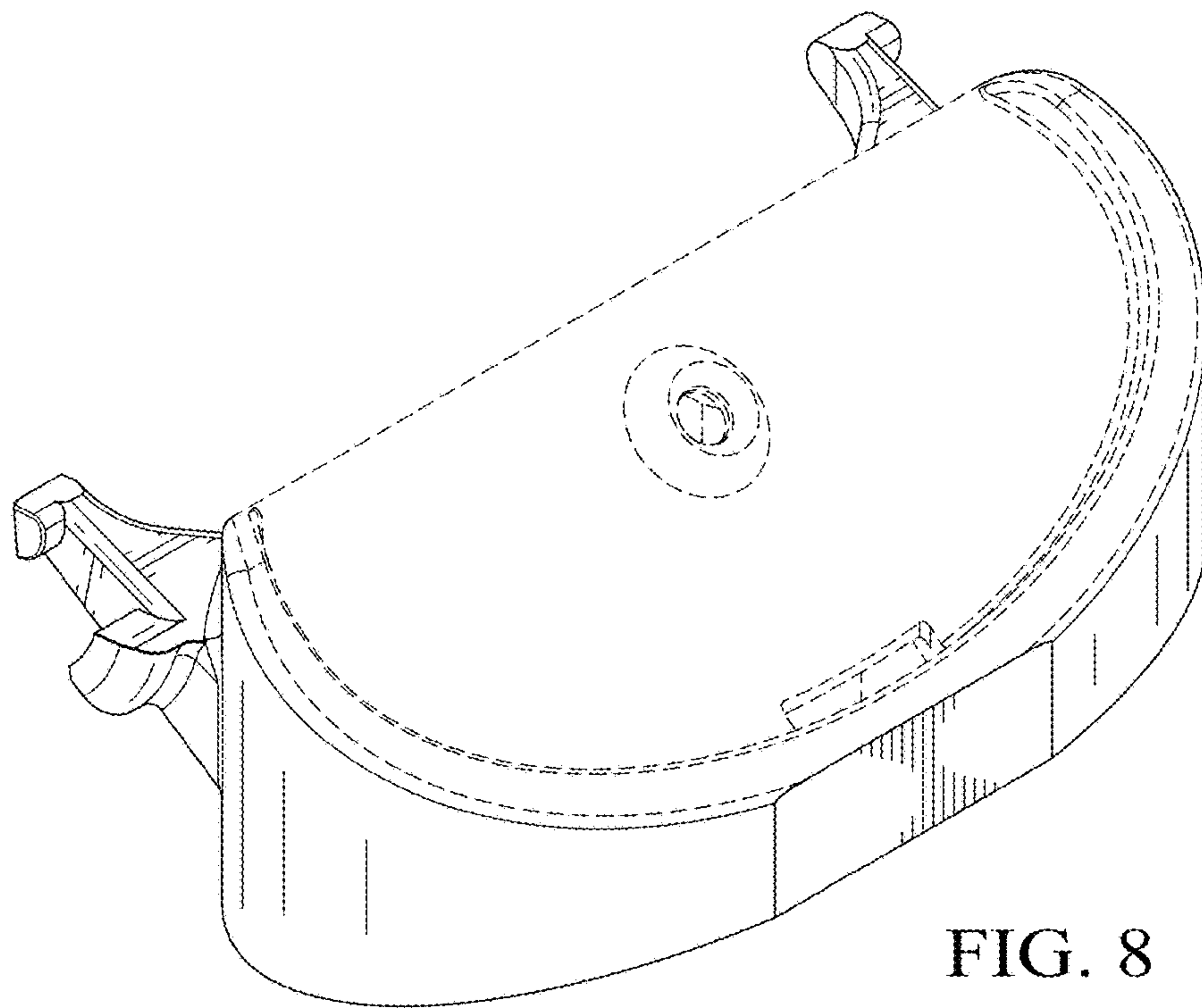


FIG. 8

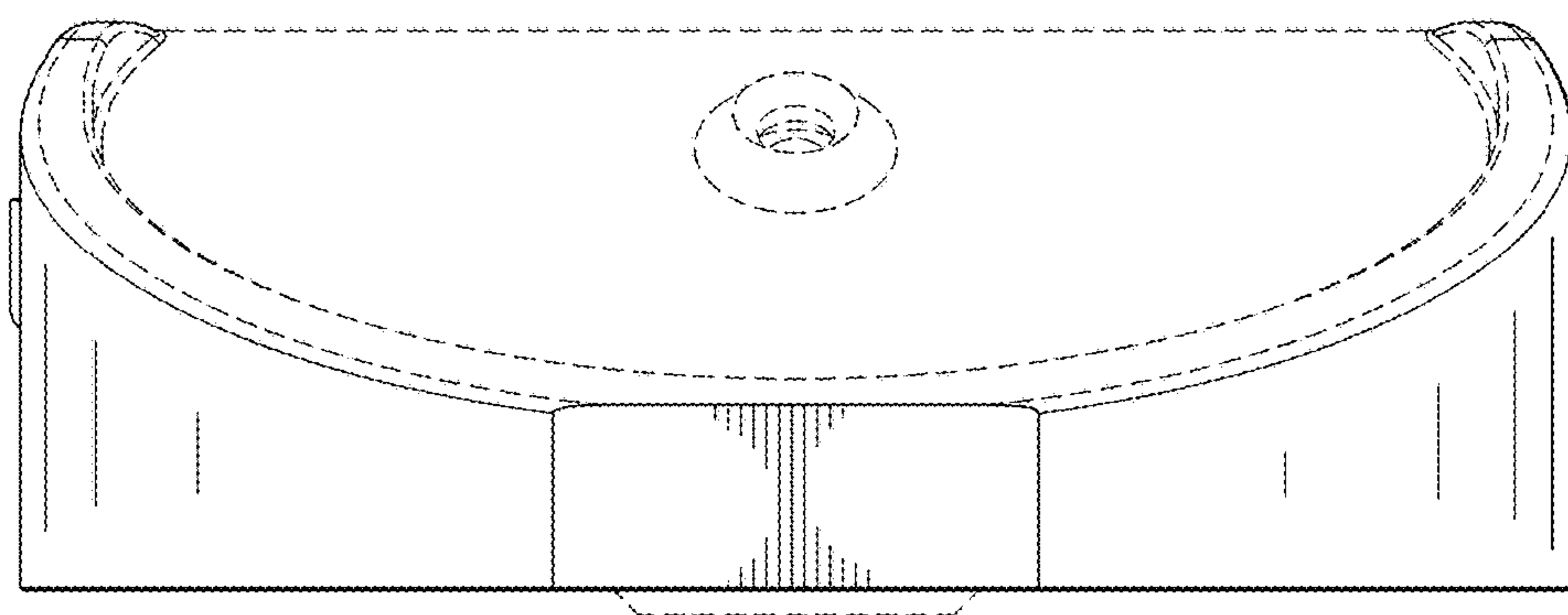


FIG. 9

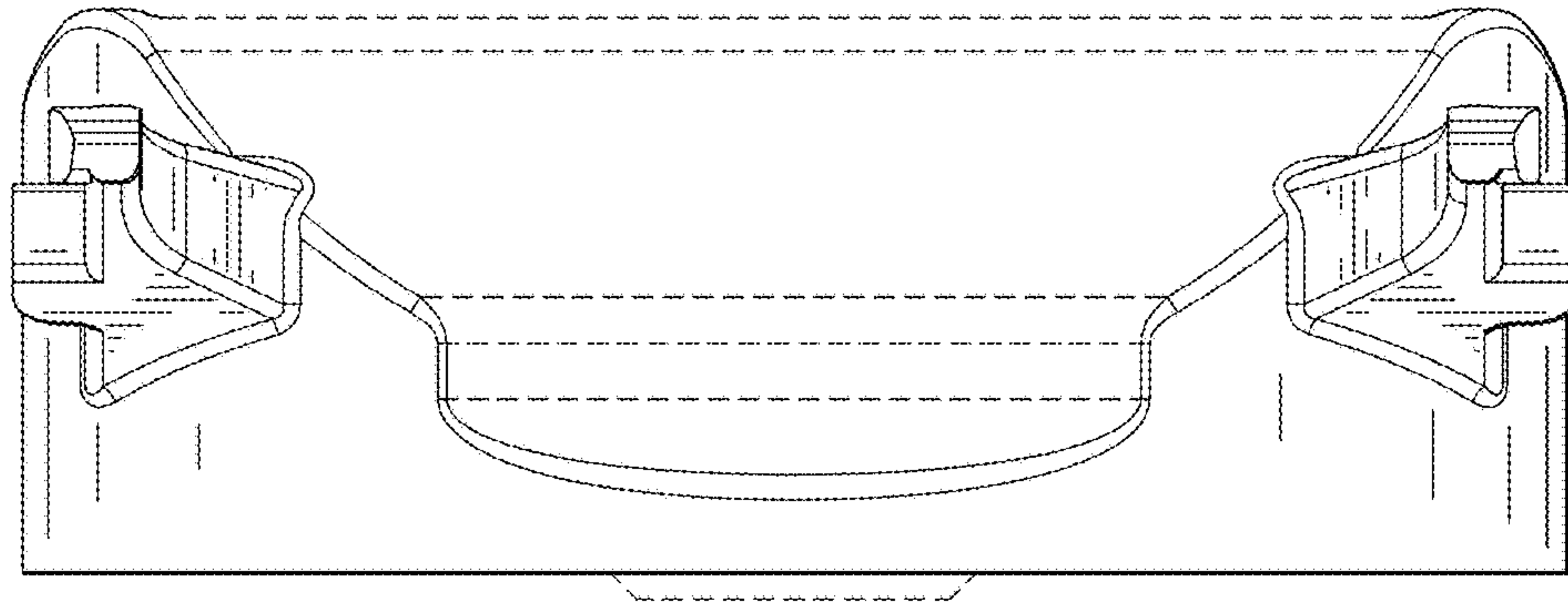


FIG. 10

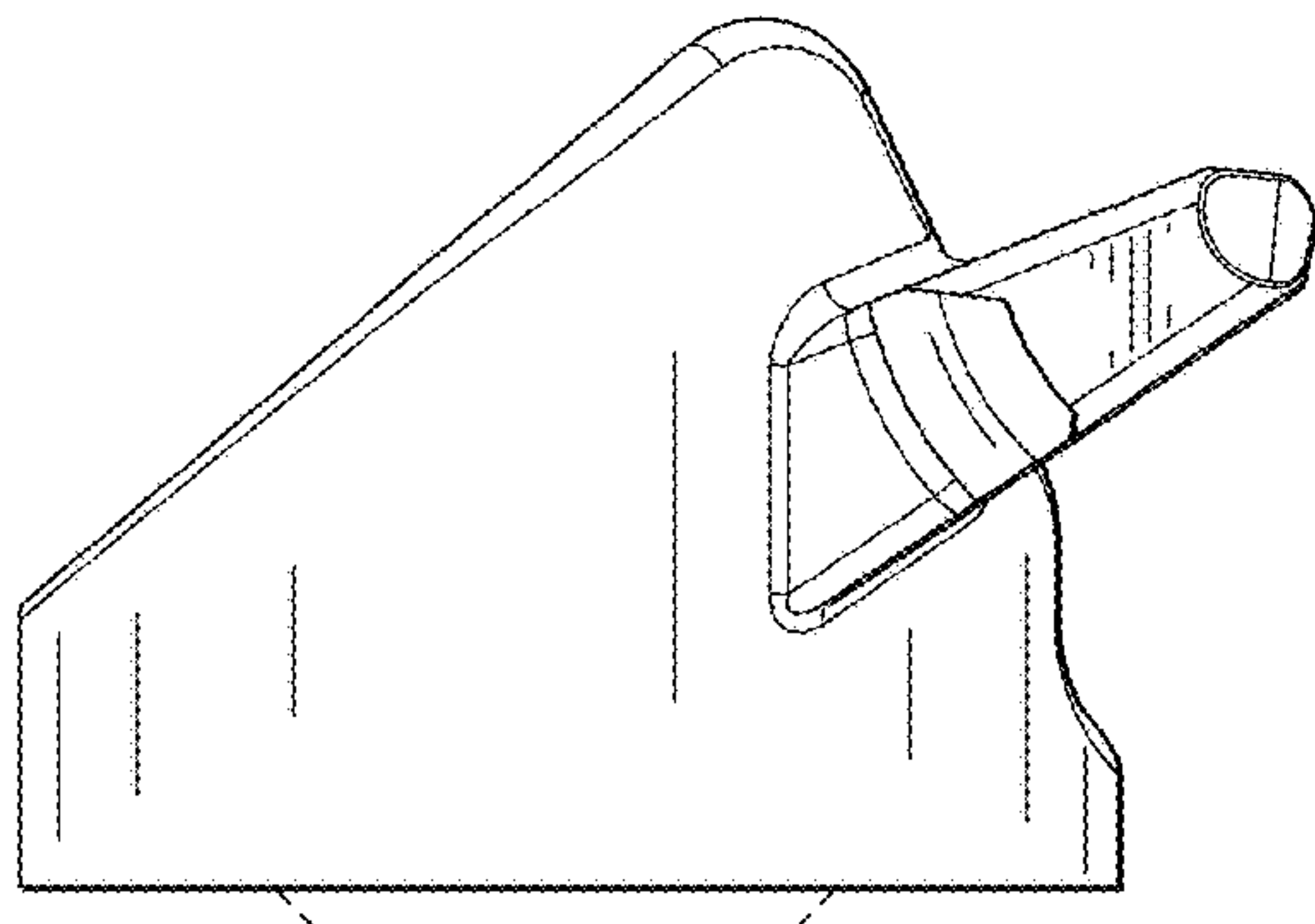


FIG. 11

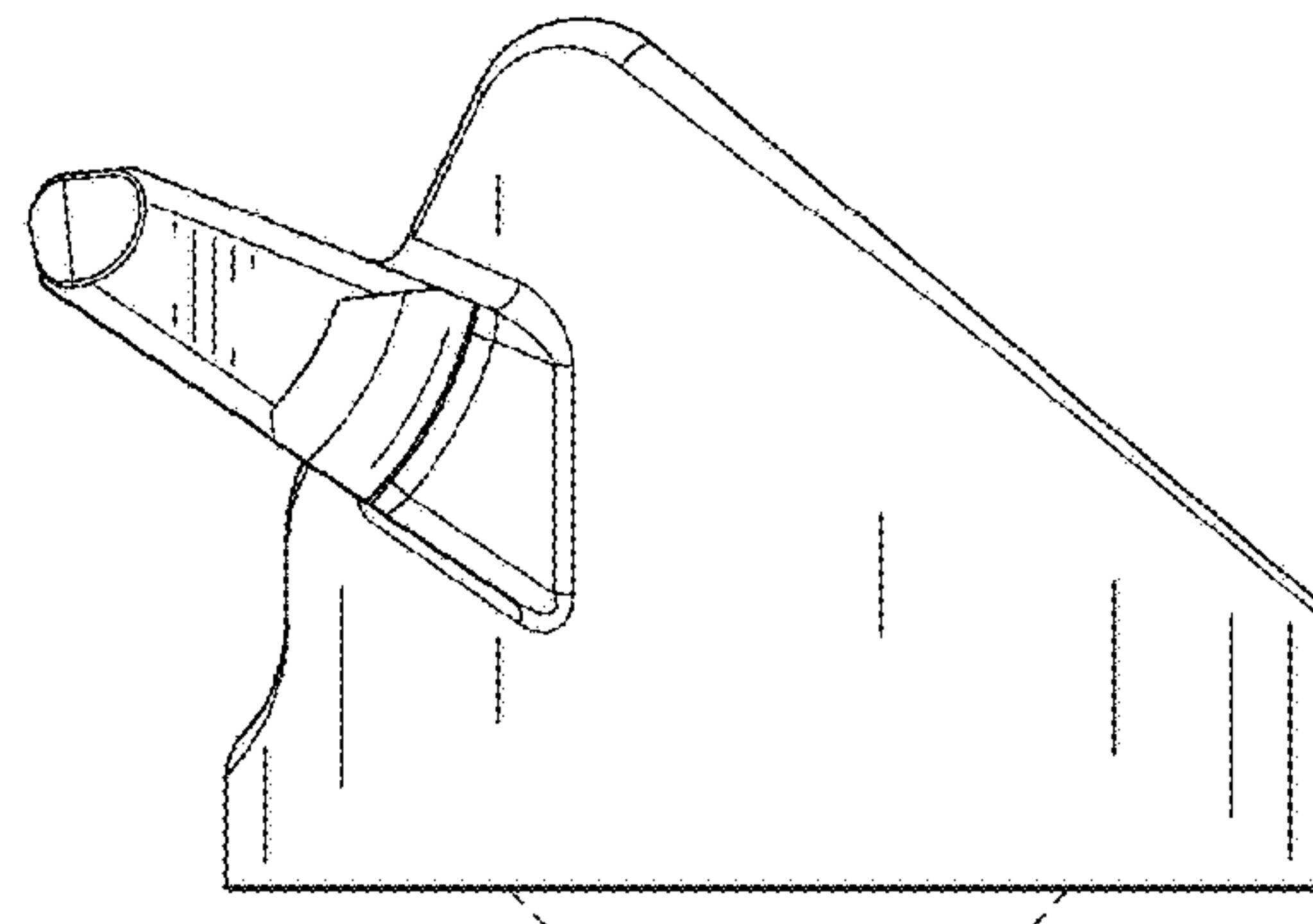


FIG. 12

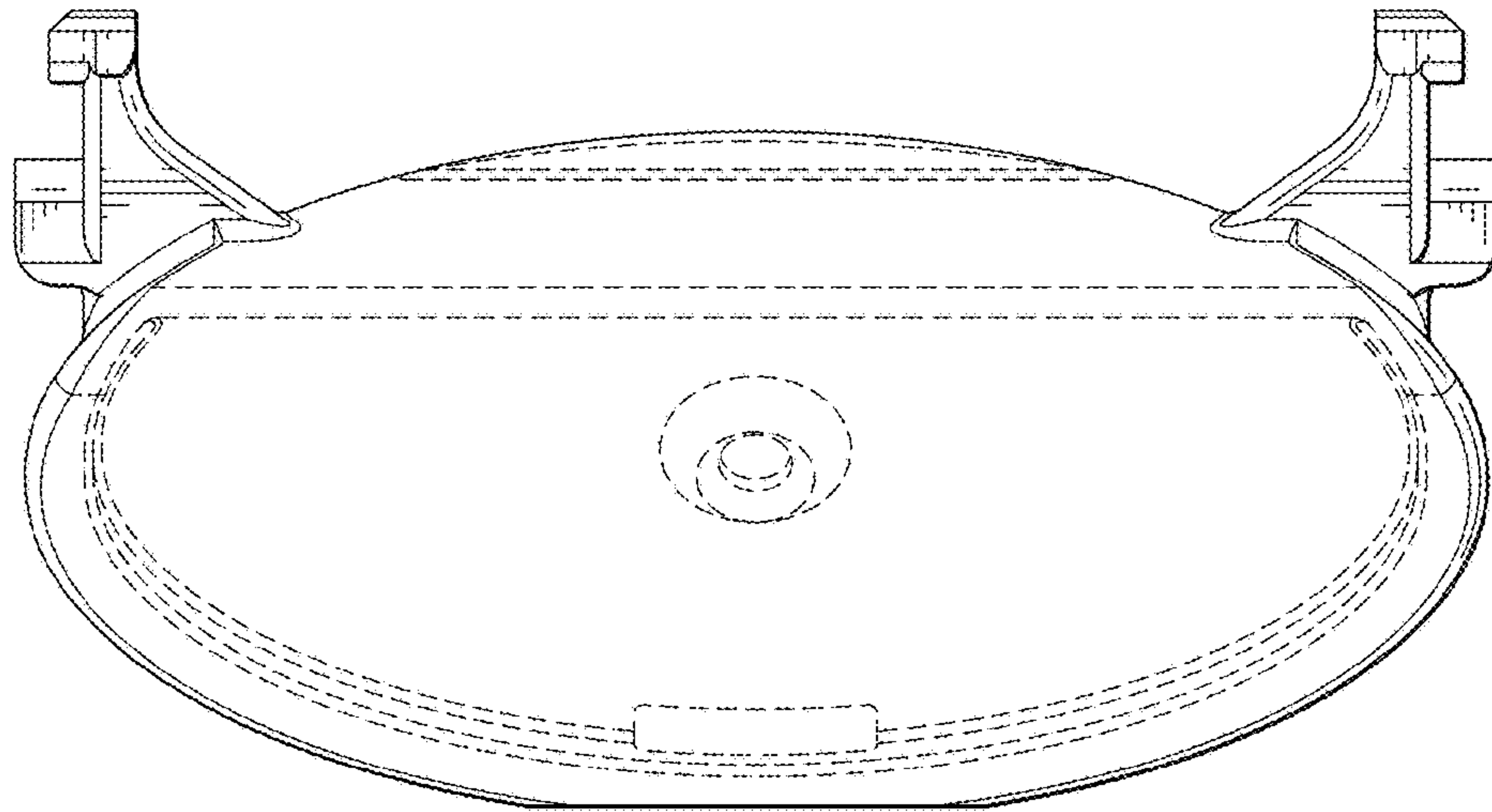


FIG. 13

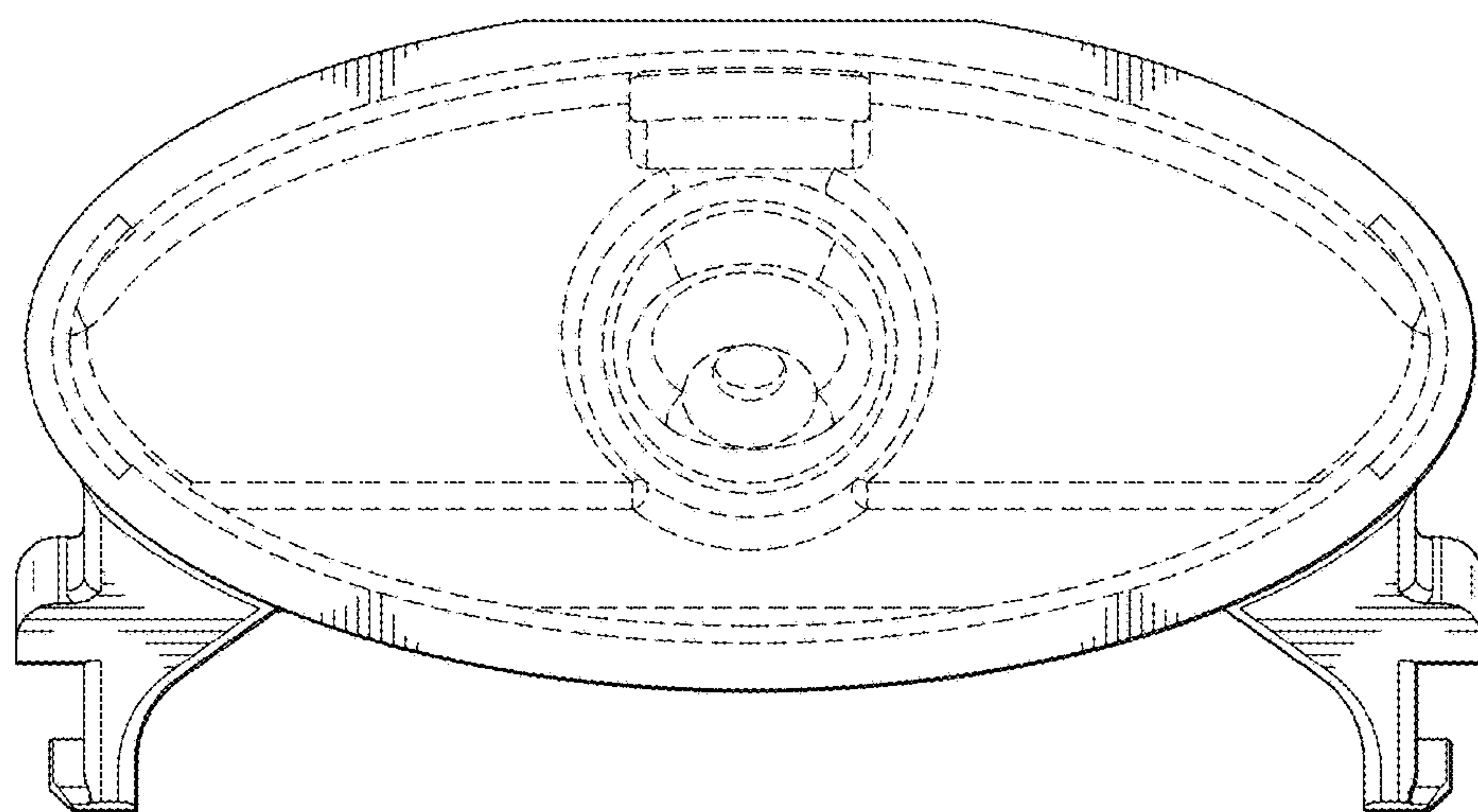


FIG. 14