



US00D831882S

(12) **United States Design Patent**  
**Sonneman**

(10) **Patent No.:** **US D831,882 S**

(45) **Date of Patent:** **\*\* \*Oct. 23, 2018**

(54) **LIGHT FIXTURE**

(71) Applicant: **Contemporary Visions, LLC**,  
Larchmont, NY (US)

(72) Inventor: **Robert A. Sonneman**, Mamaroneck,  
NY (US)

(73) Assignee: **CONTEMPORARY VISIONS, LLC**,  
Larchmont, NY (US)

(\*) Notice: This patent is subject to a terminal disclaimer.

(\*\*) Term: **15 Years**

(21) Appl. No.: **29/630,515**

(22) Filed: **Dec. 21, 2017**

(51) **LOC (11) Cl.** ..... **26-99**

(52) **U.S. Cl.**  
USPC ..... **D26/118**

(58) **Field of Classification Search**  
USPC ..... D26/76, 80-82, 84-85, 88, 90, 93, 110,  
D26/113, 118, 120, 124, 128, 131  
CPC ..... F21S 2/00; F21S 4/00; F21S 4/003; F21S  
4/005; F21S 4/006; F21S 4/007; F21S  
4/008; F21S 6/00; F21S 8/00; F21S  
8/024; F21S 8/026; F21S 8/031; F21S  
8/033; F21S 8/035-8/037; F21S 8/04;  
F21S 8/043; F21S 8/063  
See application file for complete search history.

(56) **References Cited**

**U.S. PATENT DOCUMENTS**

D140,107 S \* 1/1945 Lippincott ..... D26/76  
D521,172 S \* 5/2006 Chen ..... D26/76

D567,985 S \* 4/2008 Komar ..... D26/84  
D580,088 S \* 11/2008 Orozco ..... D26/81  
D601,742 S \* 10/2009 Sabernig ..... D26/84  
D674,532 S \* 1/2013 Starck ..... D26/93  
D771,303 S \* 11/2016 Ross ..... D26/118  
D786,481 S \* 5/2017 Wiedemer ..... D26/81  
D788,331 S \* 5/2017 Beghelli ..... D26/24  
D812,802 S \* 3/2018 Garrett ..... D26/90  
D818,631 S \* 5/2018 Zhang ..... D26/110

\* cited by examiner

*Primary Examiner* — Brian N. Vinson

(74) *Attorney, Agent, or Firm* — Gottlieb, Rackman & Reisman, P.C.

(57) **CLAIM**

The ornamental design for a light fixture, as shown and described.

**DESCRIPTION**

FIG. 1 is a front perspective view of a light fixture showing my new design;

FIG. 2 is a rear perspective view thereof;

FIG. 3 is a front elevational view thereof;

FIG. 4 is a rear elevational view thereof;

FIG. 5 is a right side elevational view thereof;

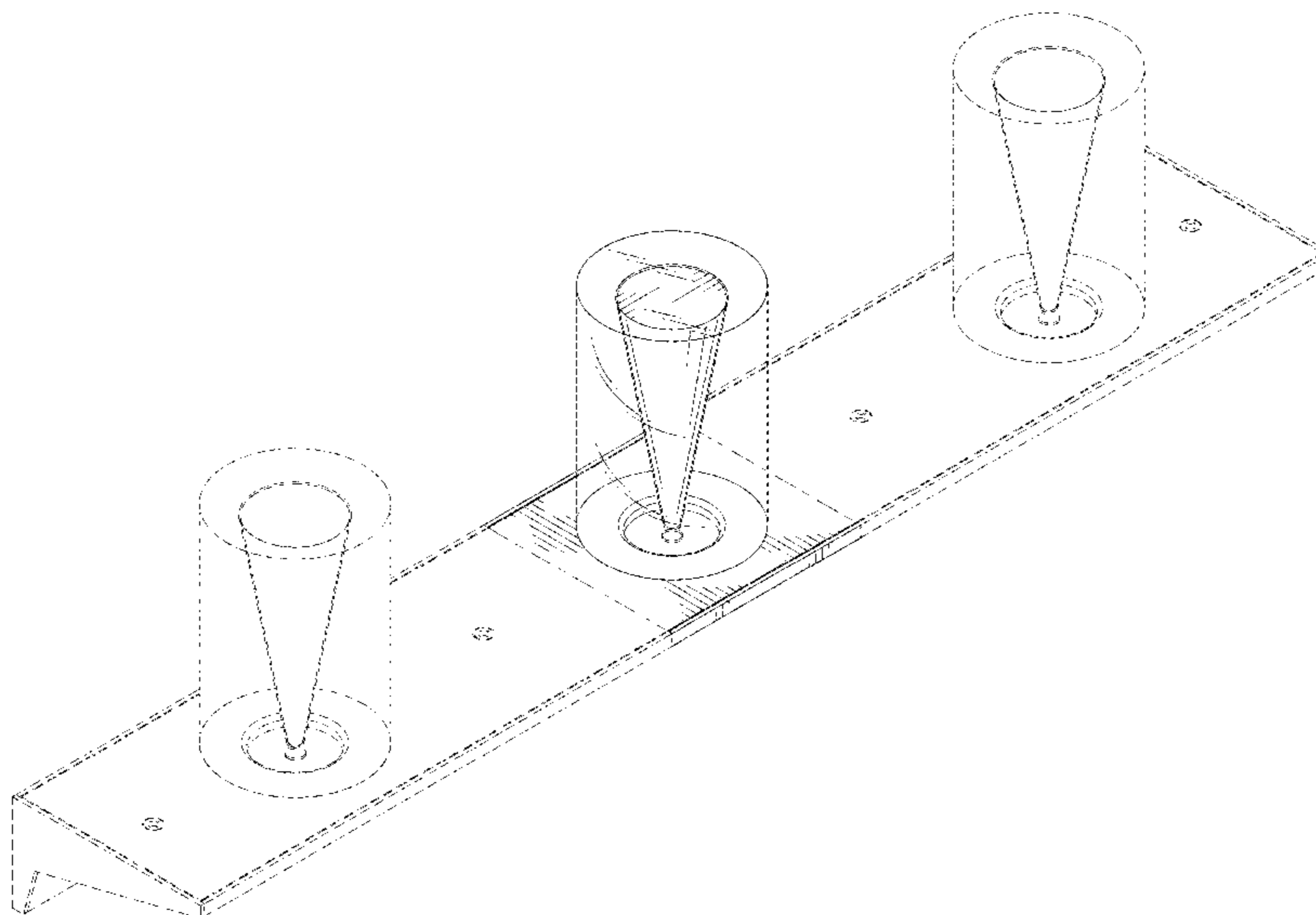
FIG. 6 is a left side elevational view thereof;

FIG. 7 is a top plan view thereof; and,

FIG. 8 is a bottom plan view thereof.

The broken lines shown in the drawings are included for the purpose of illustrating portions of the light fixture that form no part of the claimed design.

**1 Claim, 7 Drawing Sheets**



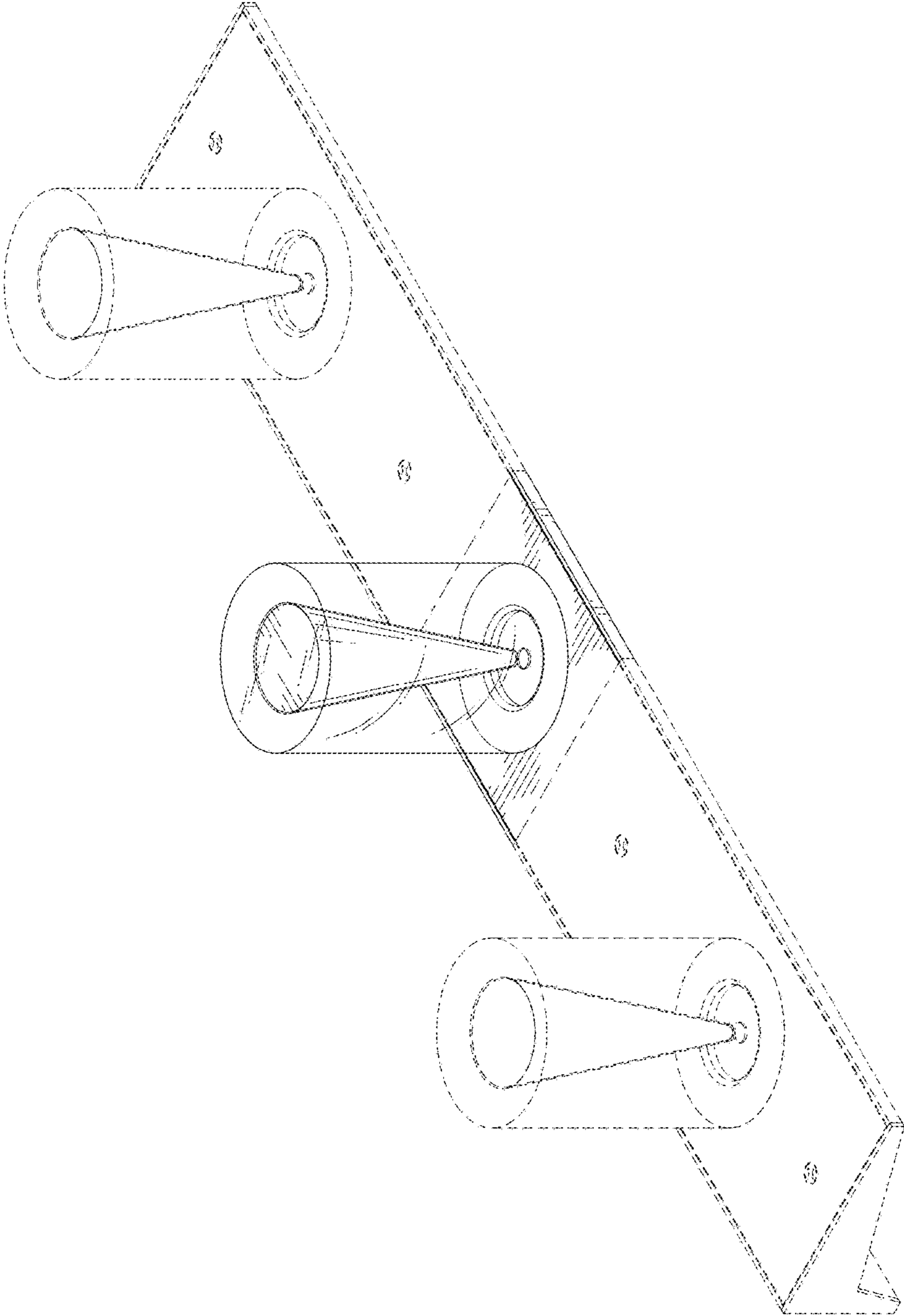


FIG.1

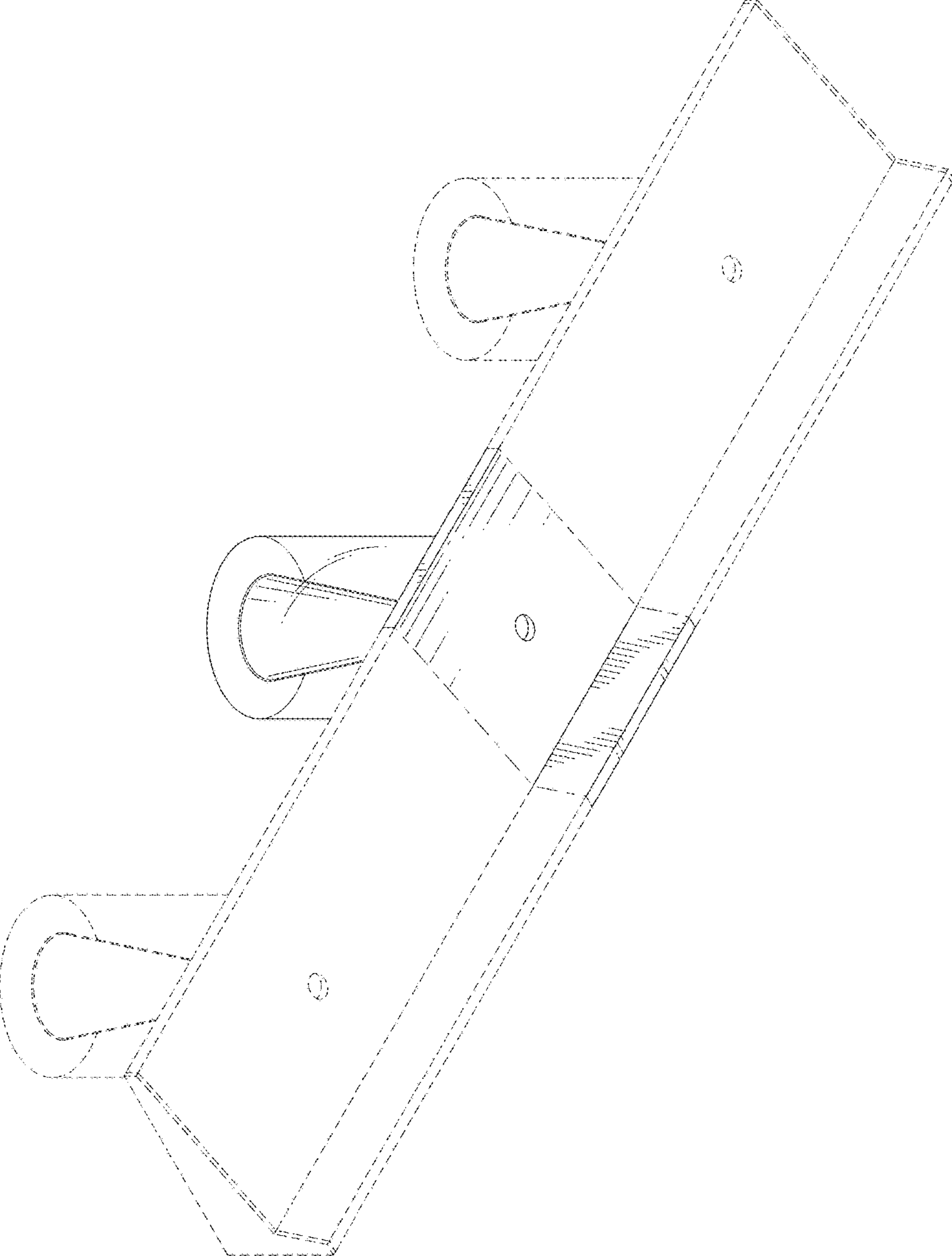


FIG. 2

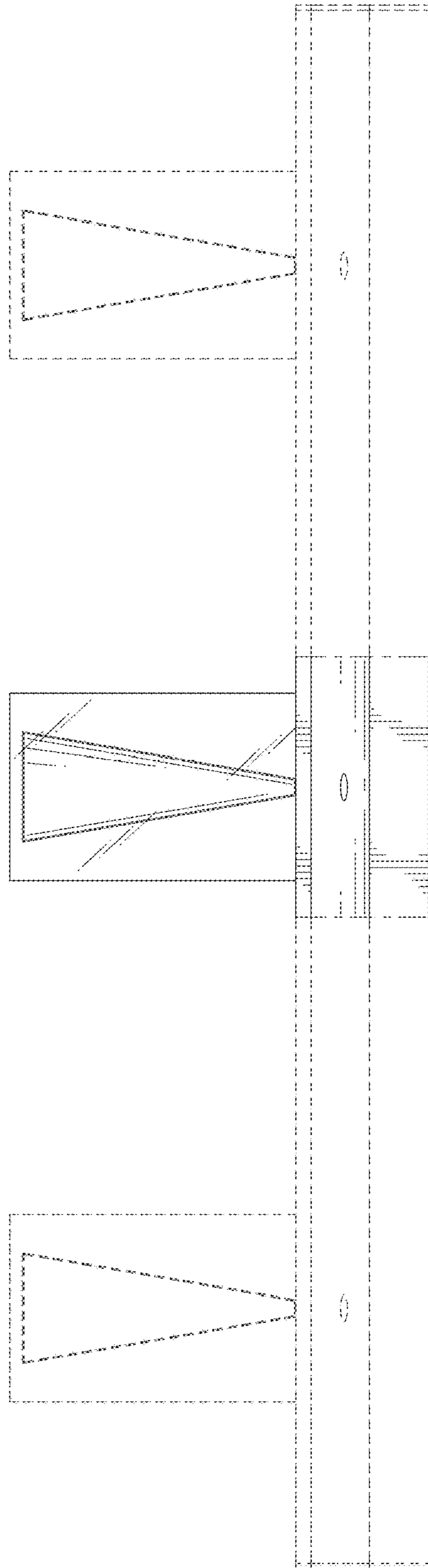


FIG. 3

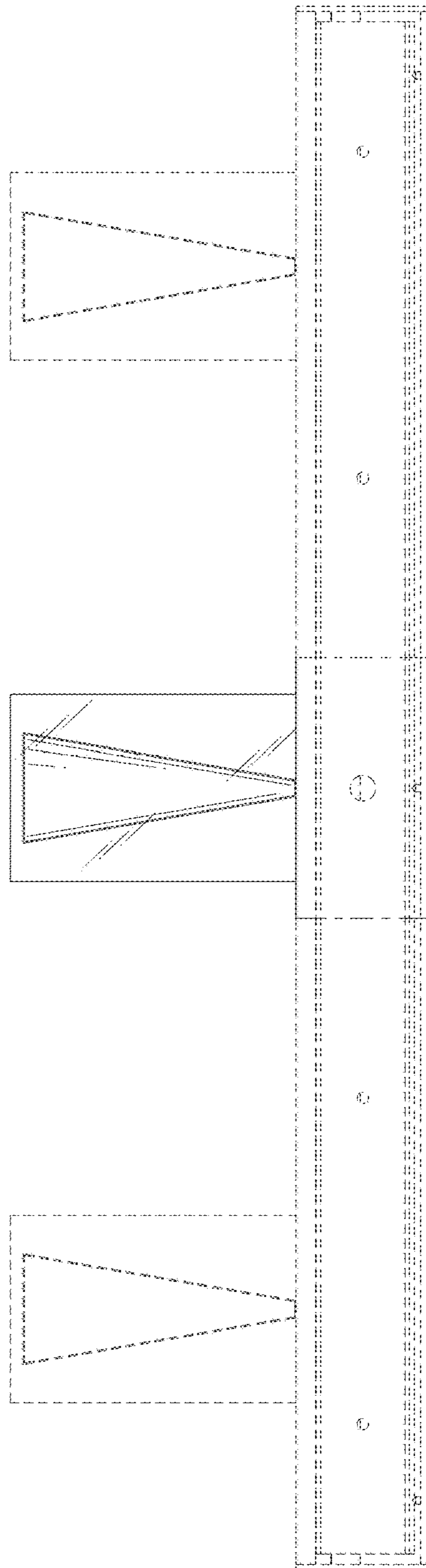


FIG. 4

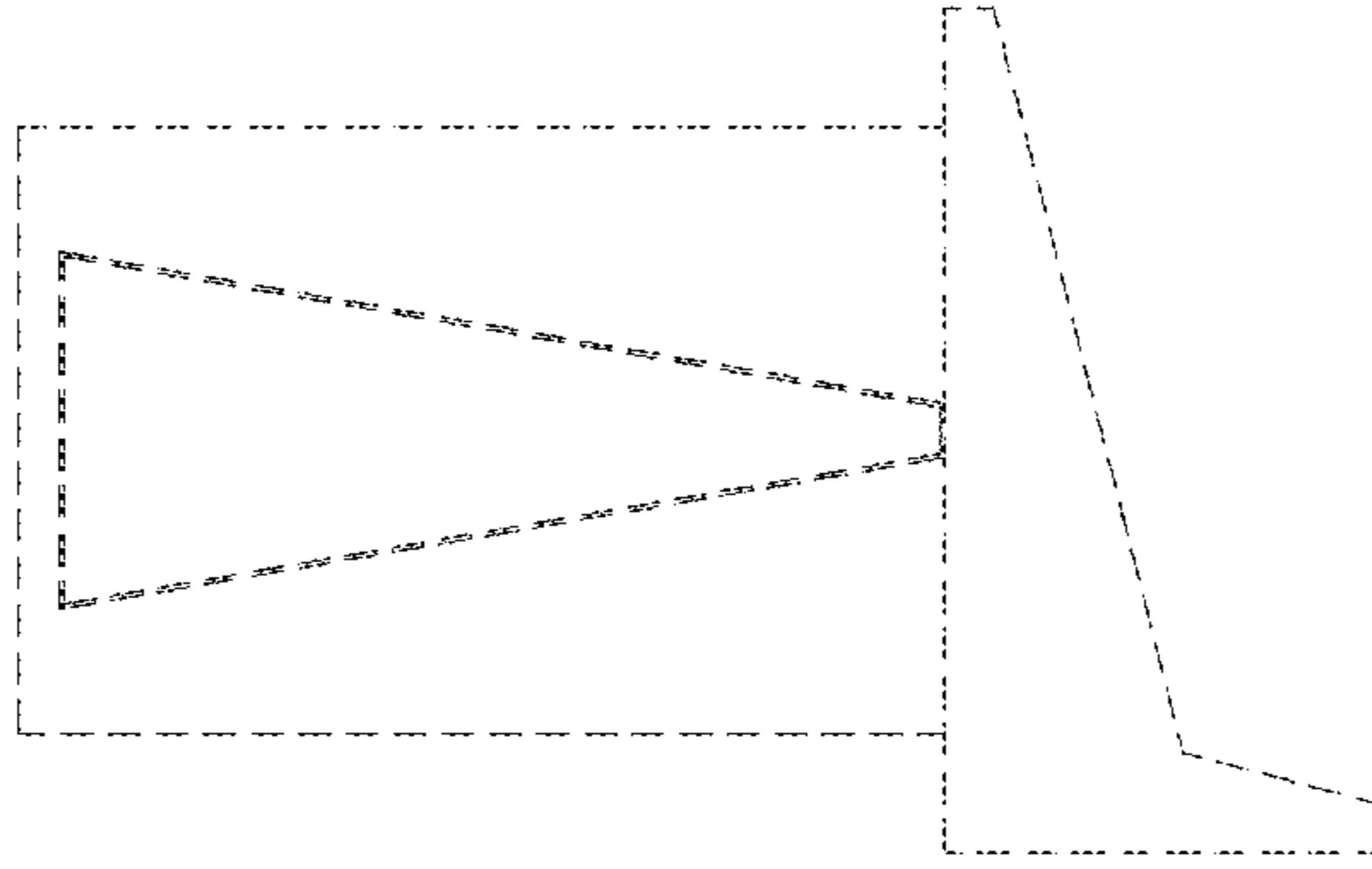


FIG. 6

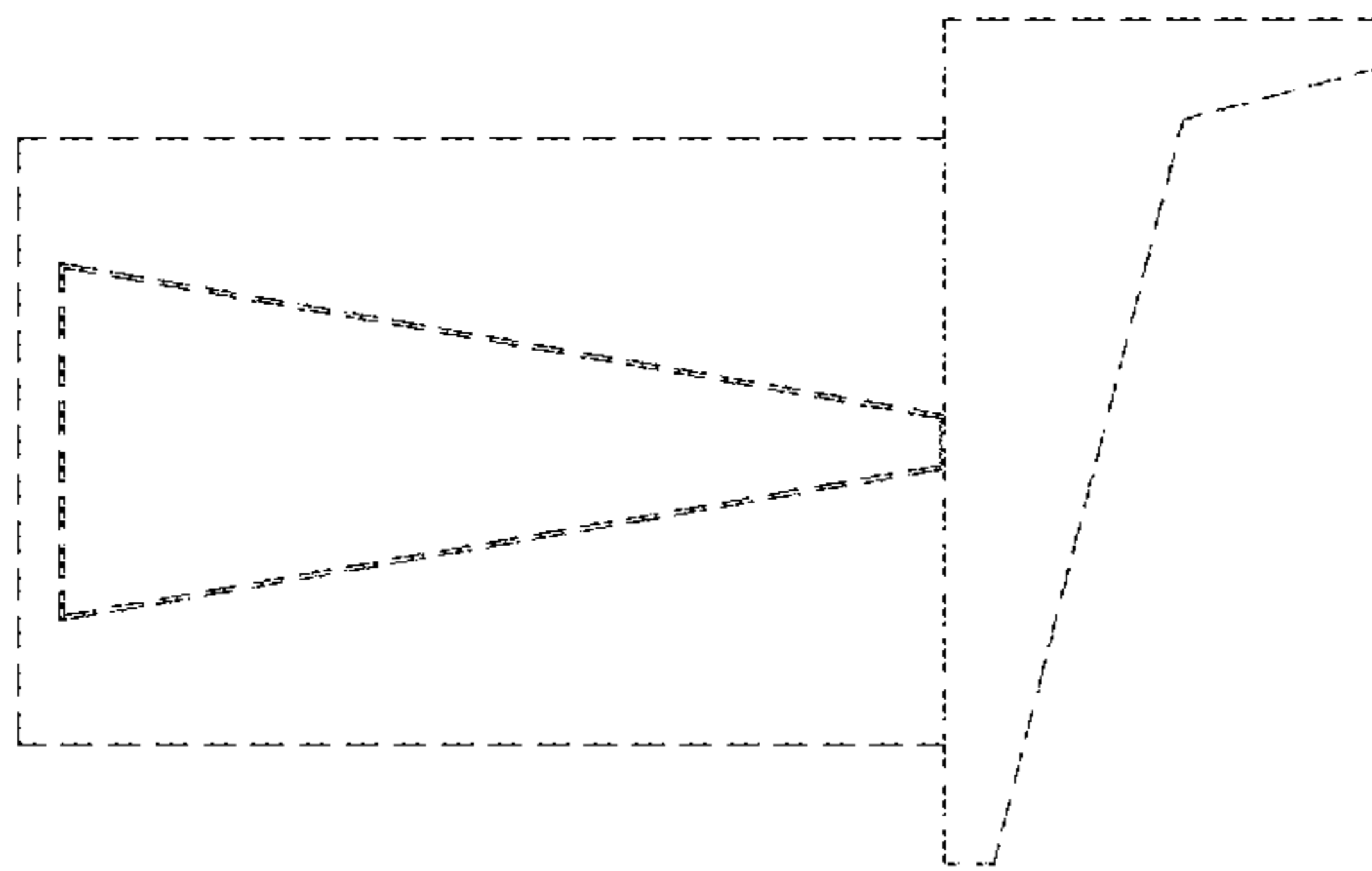


FIG. 5

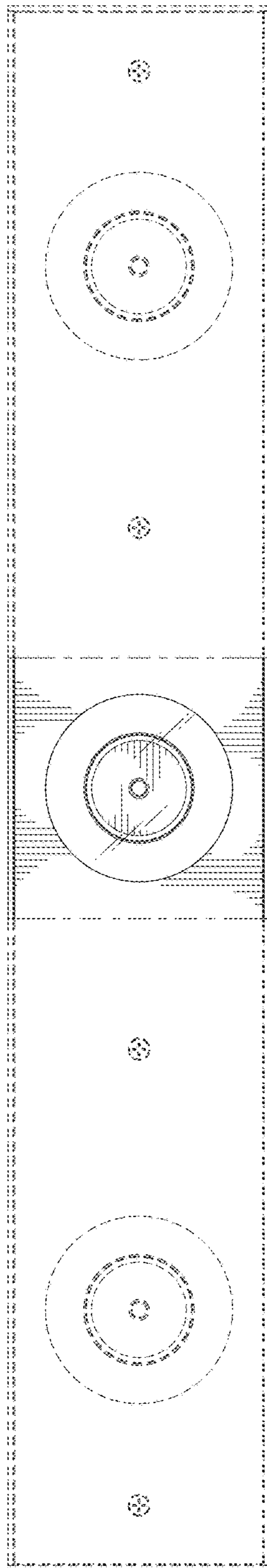


FIG. 7



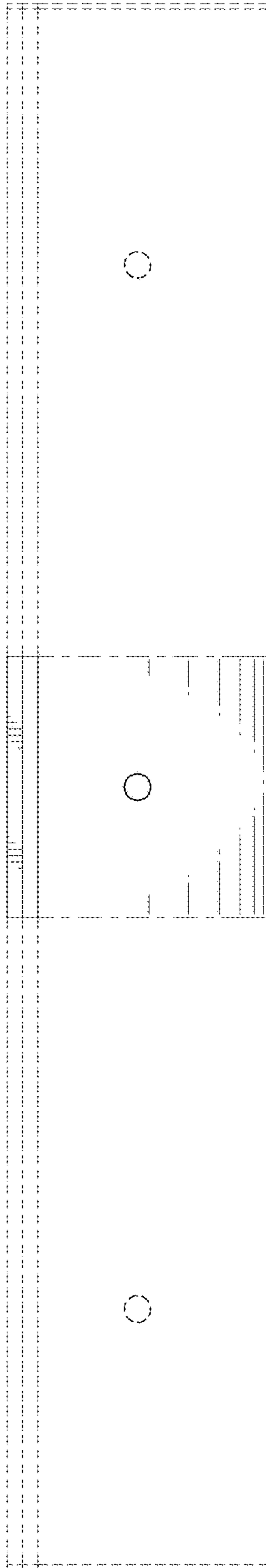


FIG. 8