

US00D831876S

(12) **United States Design Patent**  
**Moon**

(10) **Patent No.:** **US D831,876 S**

(45) **Date of Patent:** **\*\* Oct. 23, 2018**

(54) **WALL-MOUNT LIGHTING FIXTURE**

(71) Applicant: **Sang Pil Moon**, Seoul (KR)

(72) Inventor: **Sang Pil Moon**, Seoul (KR)

(\*\*) Term: **15 Years**

(21) Appl. No.: **29/606,972**

(22) Filed: **Jun. 9, 2017**

(51) **LOC (11) Cl.** ..... **26-03**

(52) **U.S. Cl.**  
USPC ..... **D26/87**

(58) **Field of Classification Search**  
USPC ..... D26/26, 67, 72, 85, 86, 87, 92  
CPC .... F21S 8/03; F21S 8/033; F21S 8/035; F21S  
8/036; F21S 8/037; F21S 8/081; F21S  
8/088

See application file for complete search history.

(56) **References Cited**

**U.S. PATENT DOCUMENTS**

- D69,550 S \* 2/1926 Wellman ..... D26/85
- 3,321,619 A \* 5/1967 Dailey ..... F21S 8/088  
362/367
- D374,499 S \* 10/1996 McDowell ..... D26/85
- D403,797 S \* 1/1999 Von Kluck ..... D26/73

- D454,652 S \* 3/2002 Crelin ..... D26/85
- D469,203 S \* 1/2003 DiPasquale ..... D26/67
- D517,715 S \* 3/2006 Liu ..... D26/67
- 7,488,941 B2 \* 2/2009 Lee ..... F21V 23/0442  
250/342
- D713,590 S \* 9/2014 Orozco ..... D26/85
- D766,489 S \* 9/2016 Moon ..... D26/87
- D785,223 S \* 4/2017 Patton ..... D26/67

\* cited by examiner

*Primary Examiner* — Clare E Heflin

(57) **CLAIM**

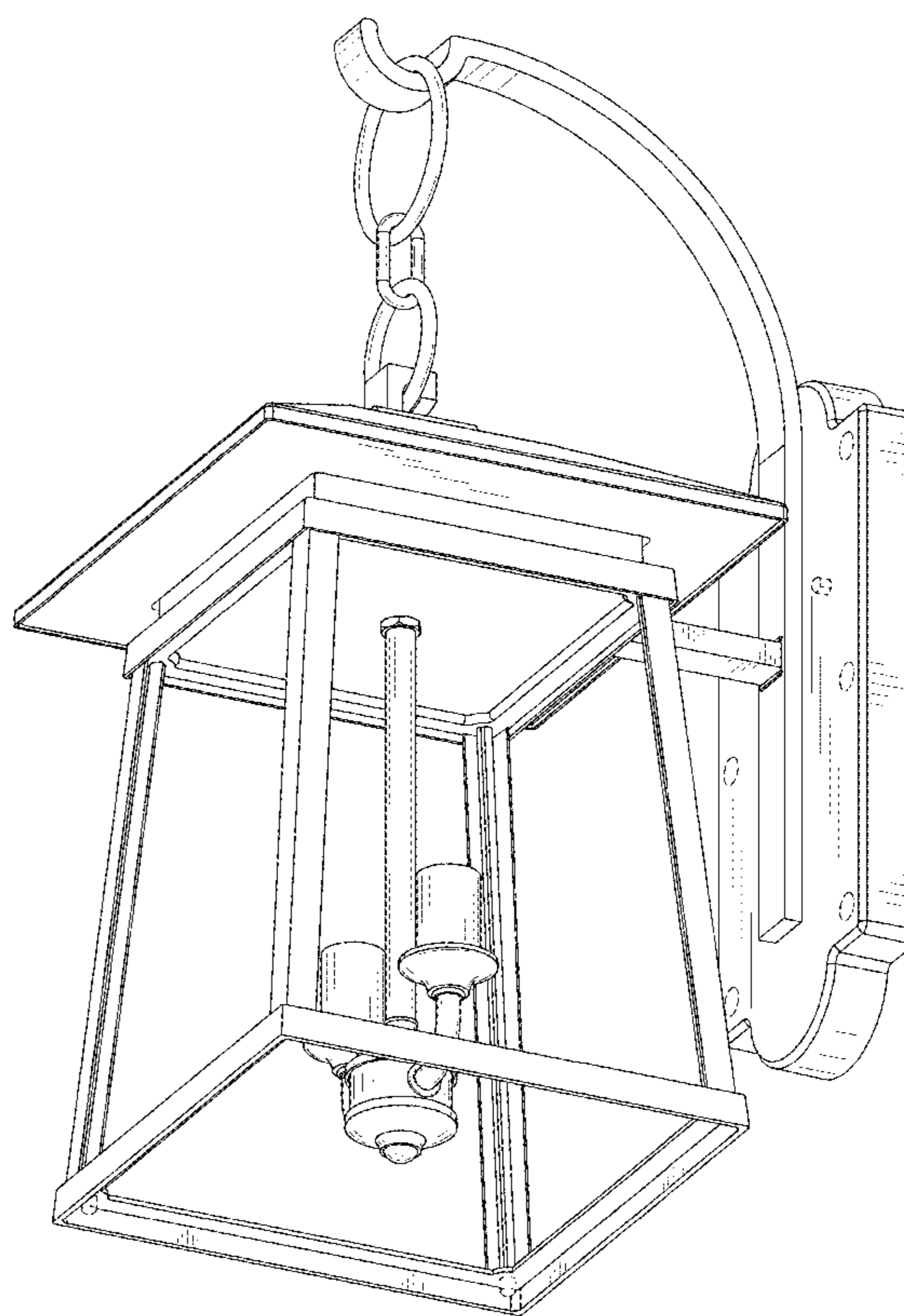
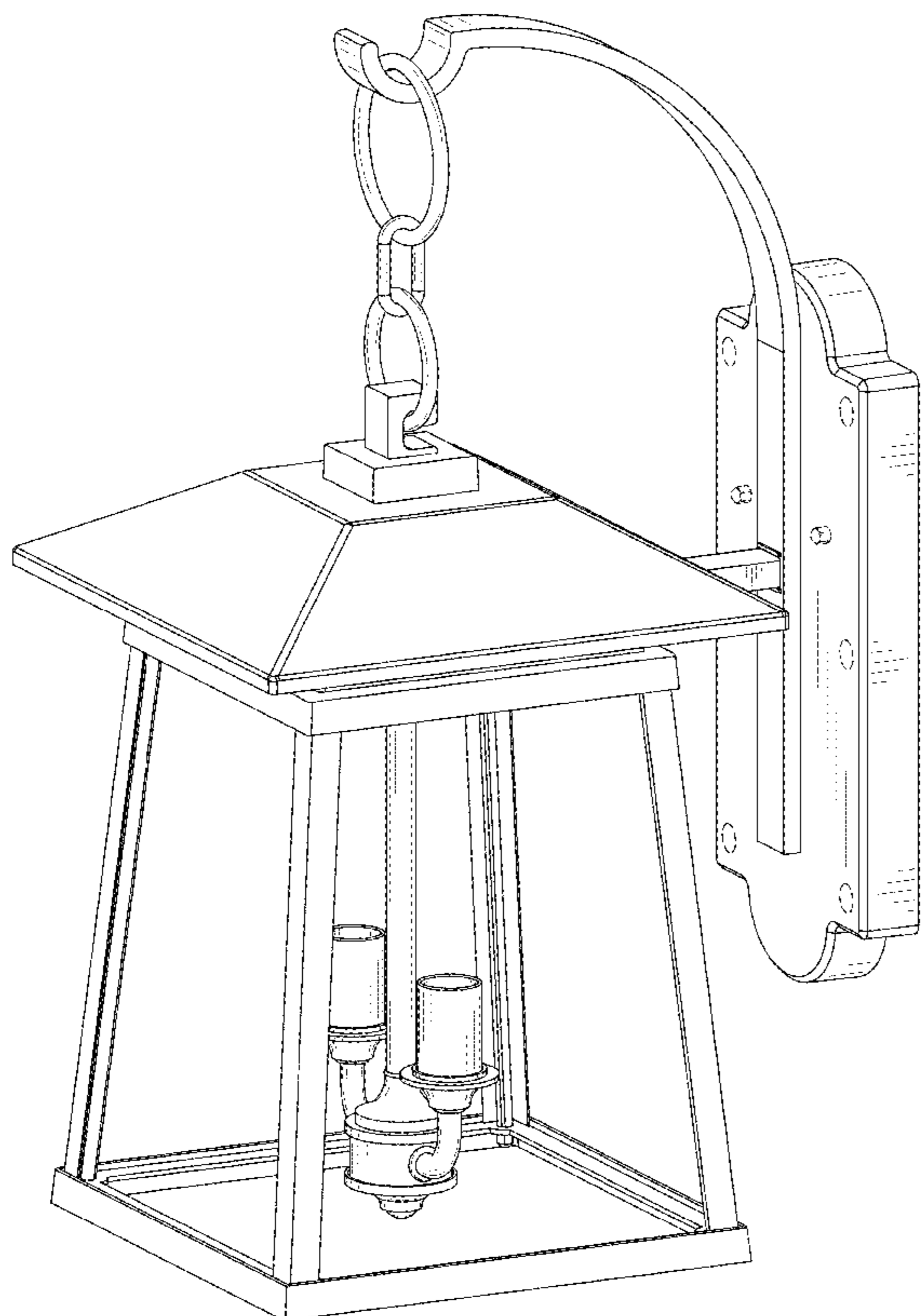
The ornamental design for a wall-mount lighting fixture, as shown and described.

**DESCRIPTION**

FIG. 1 is a front elevational view of a wall-mount lighting fixture showing my new design;  
 FIG. 2 is a rear elevational view thereof;  
 FIG. 3 is a left side view thereof;  
 FIG. 4 is a right side view thereof;  
 FIG. 5 is a top plan view thereof;  
 FIG. 6 is a bottom plan view thereof;  
 FIG. 7 is a first perspective view thereof; and,  
 FIG. 8 is a second perspective view thereof.

The broken lines in the drawings illustrate portions of the wall-mount lighting fixture which form no part of the claimed design.

**1 Claim, 7 Drawing Sheets**



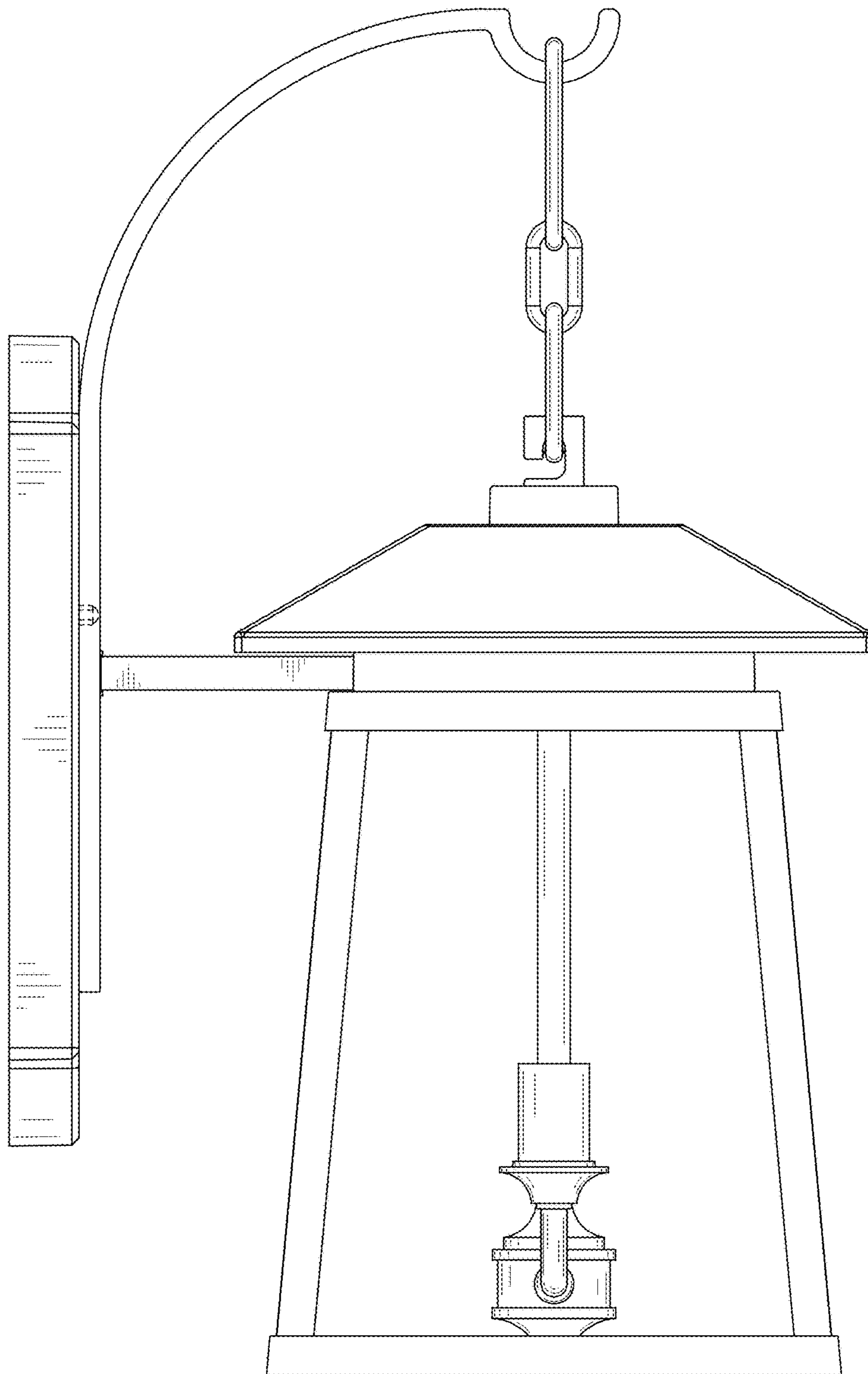


FIG.1

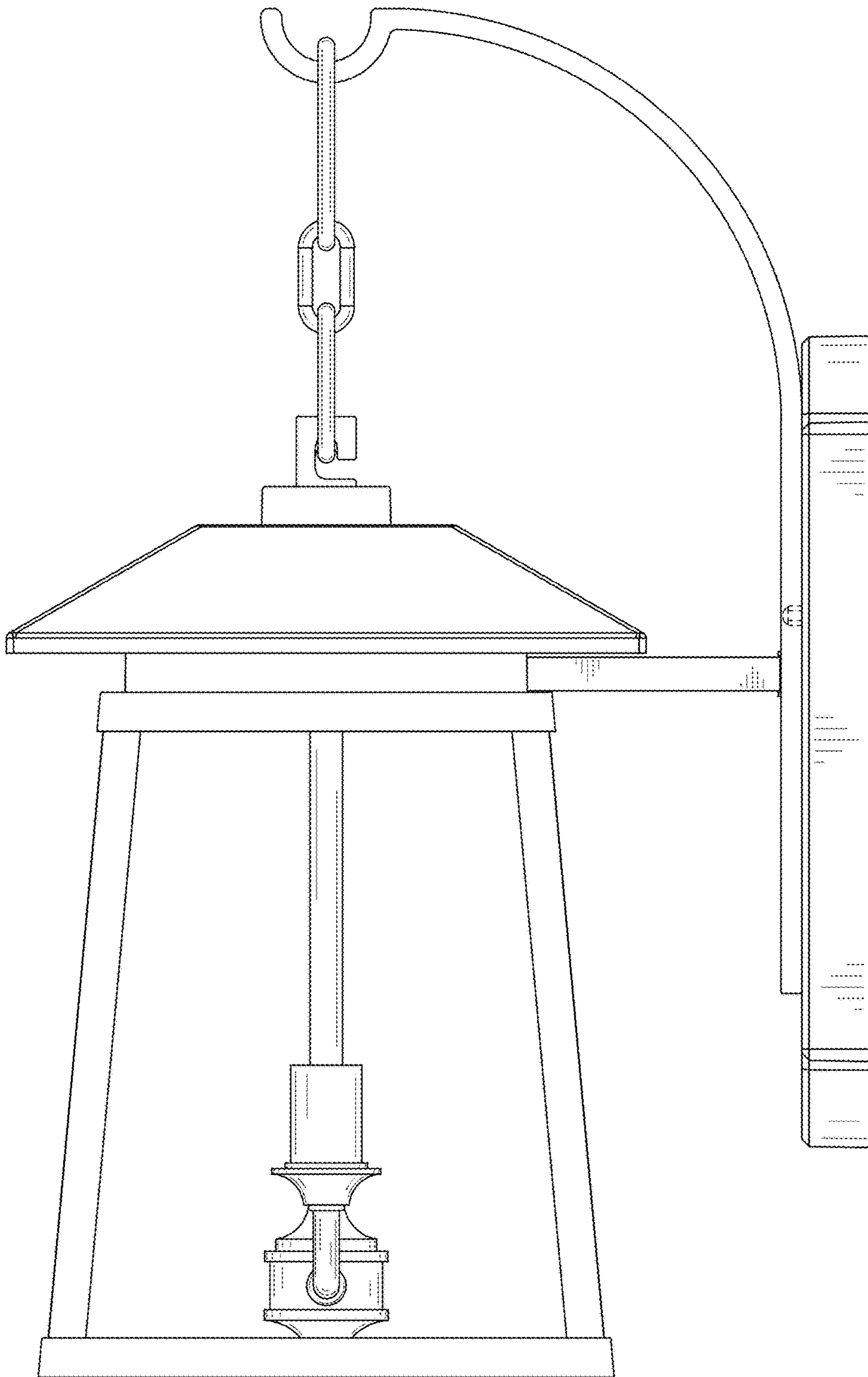


FIG.2

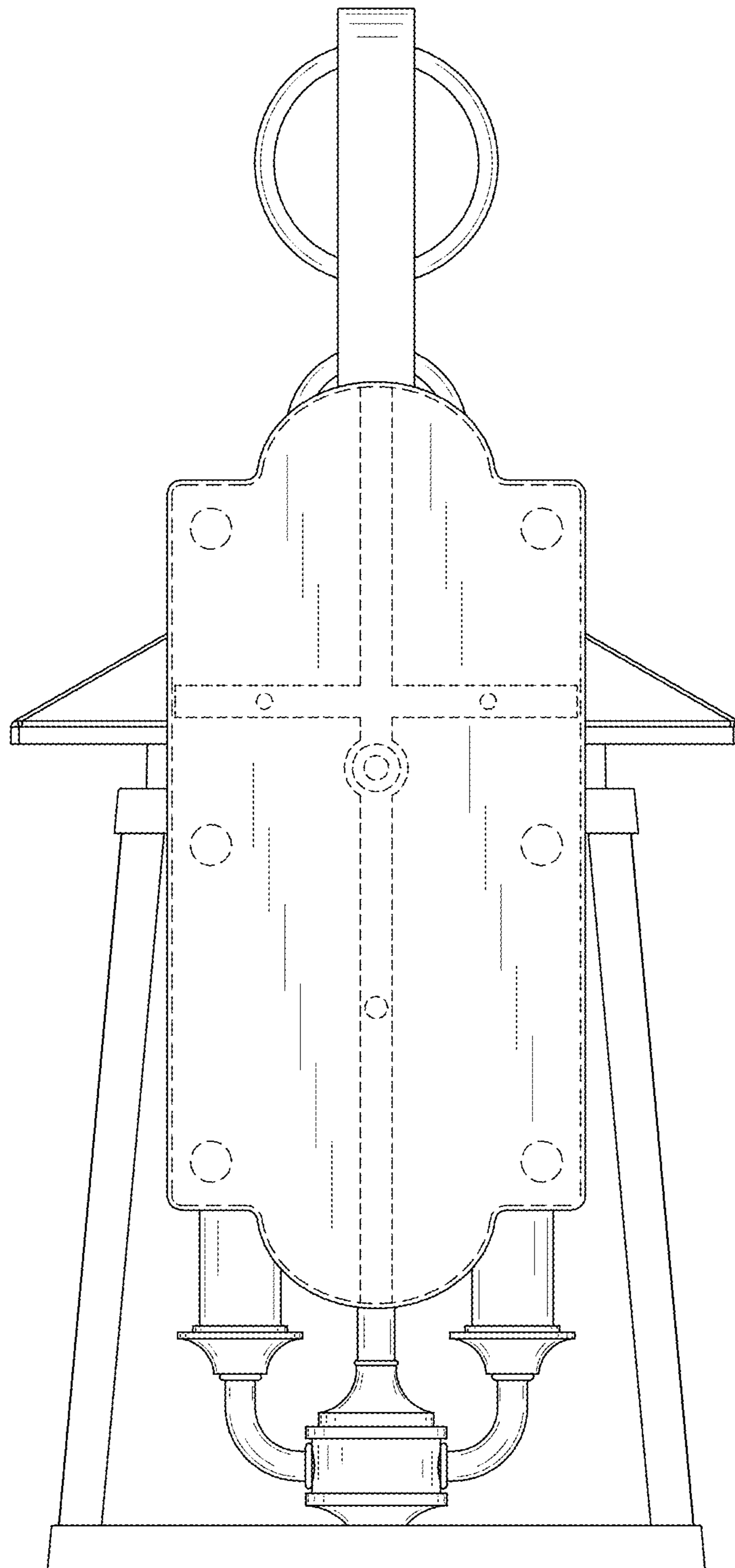


FIG.3

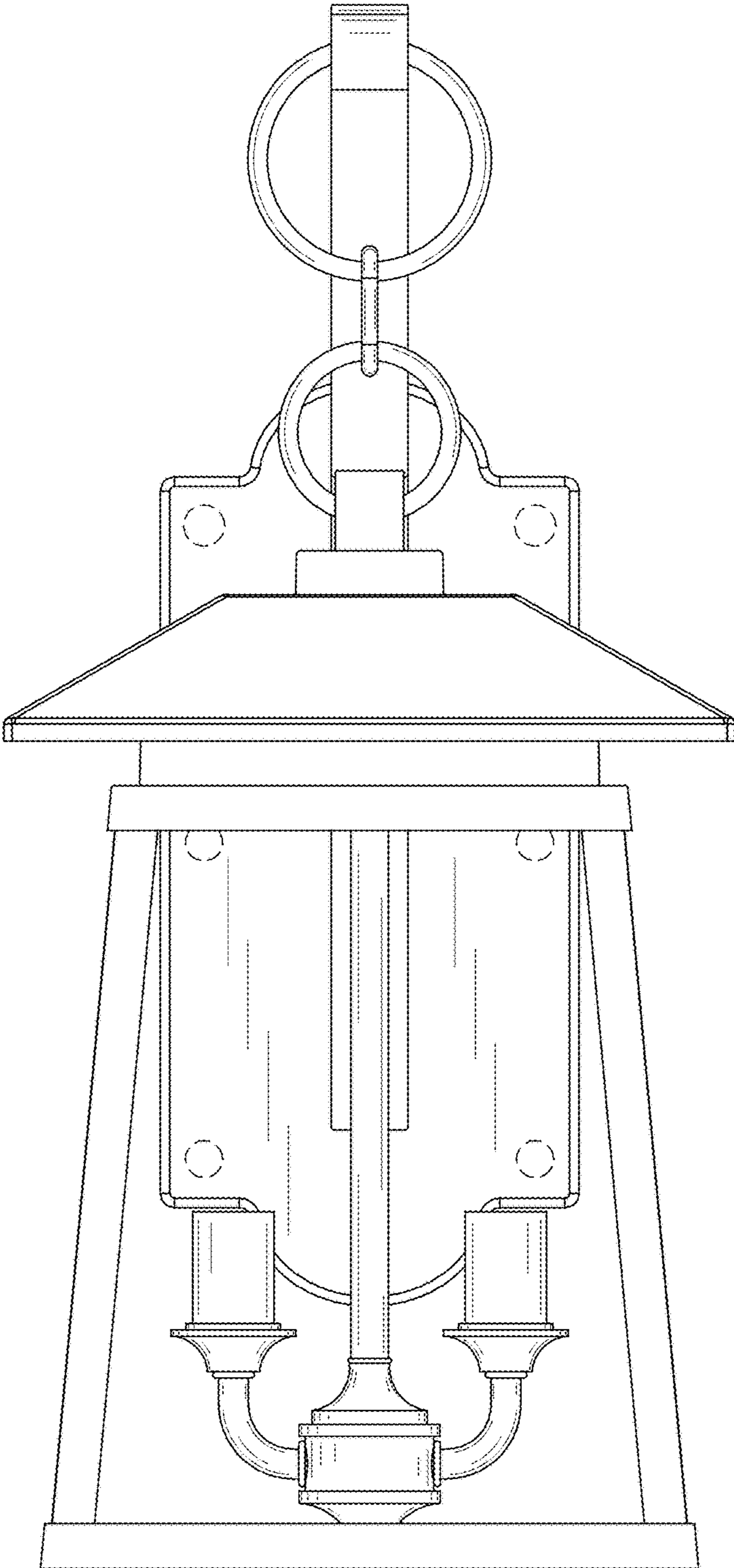


FIG. 4

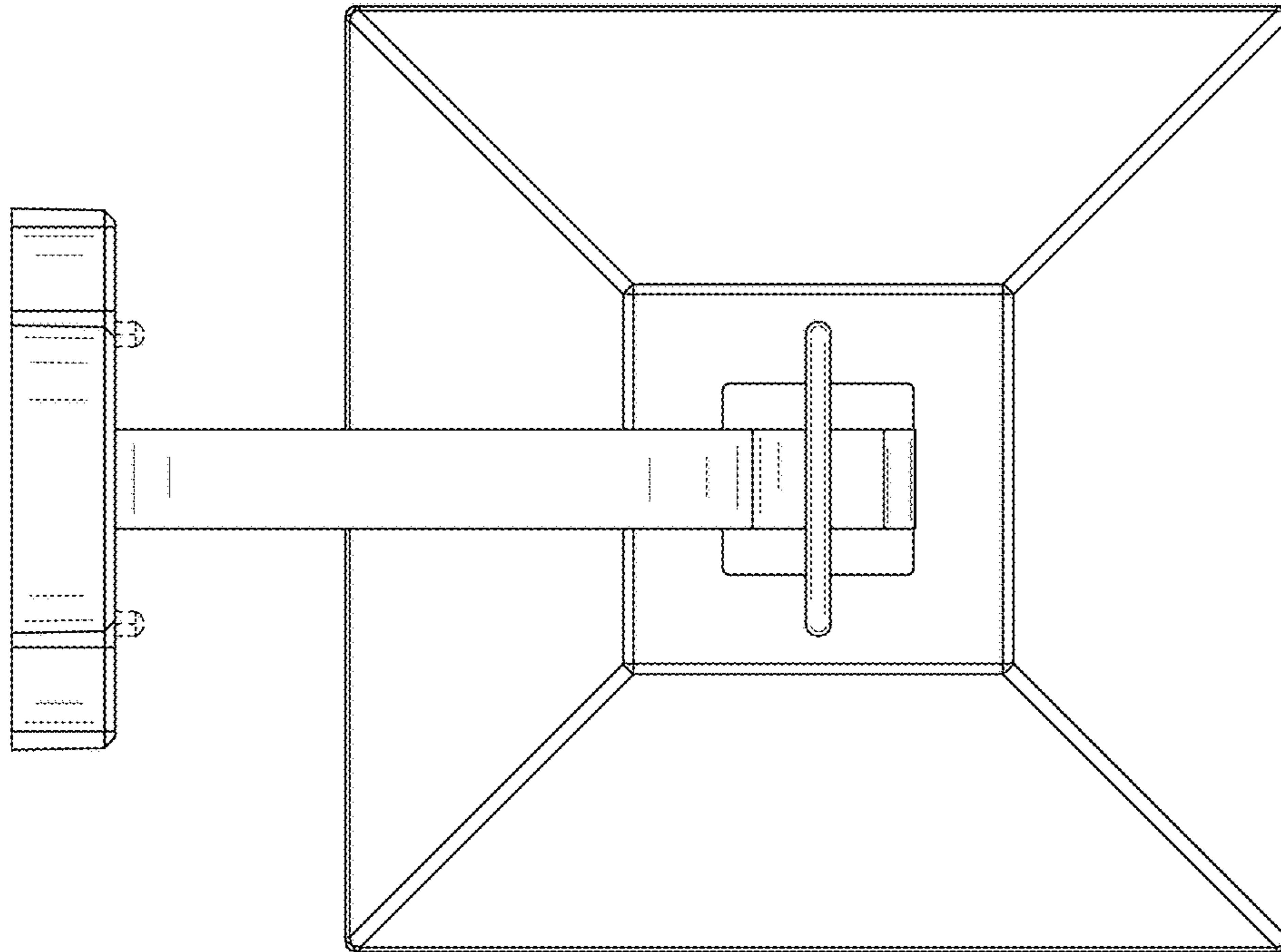


FIG. 5

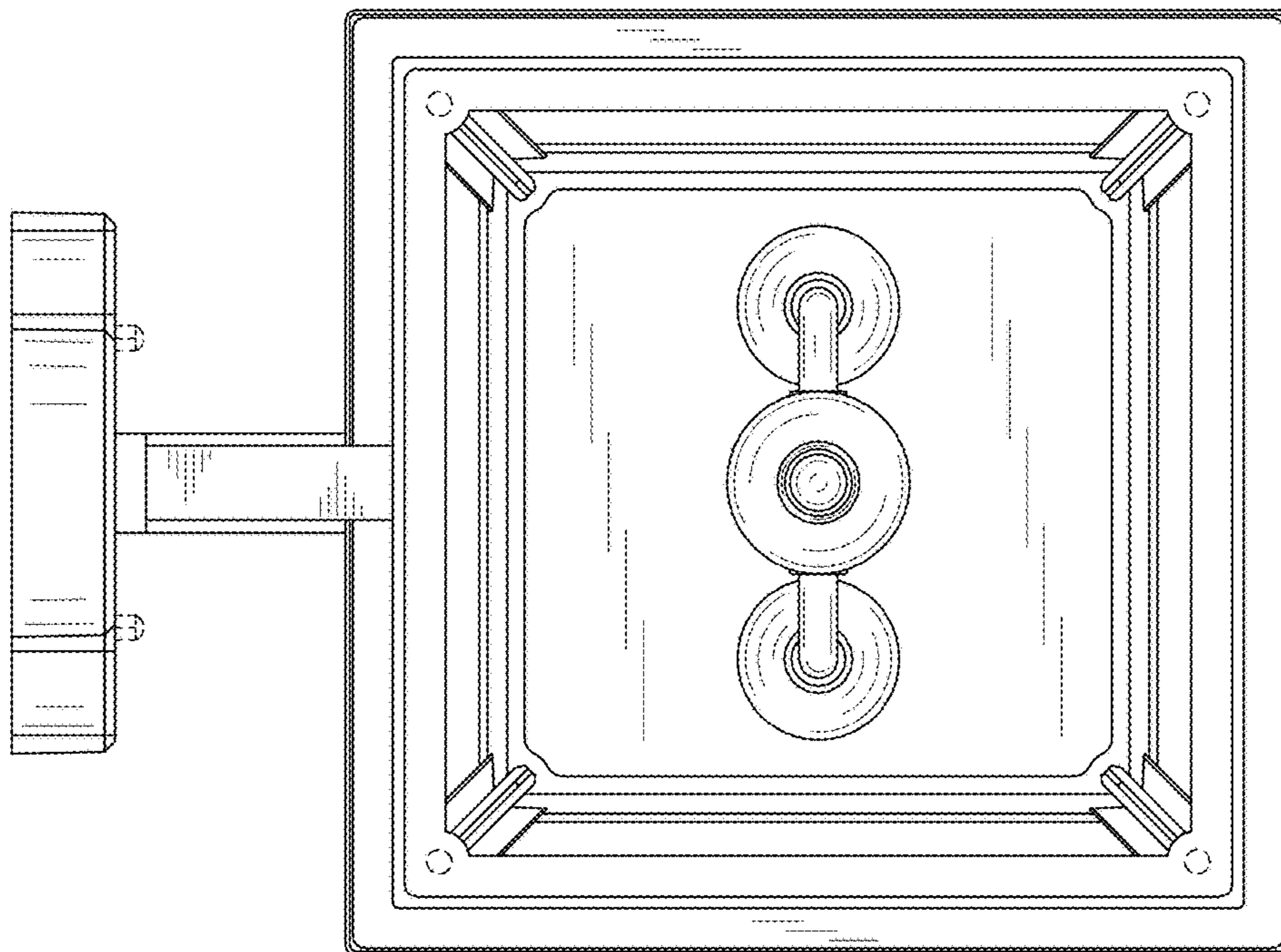


FIG. 6

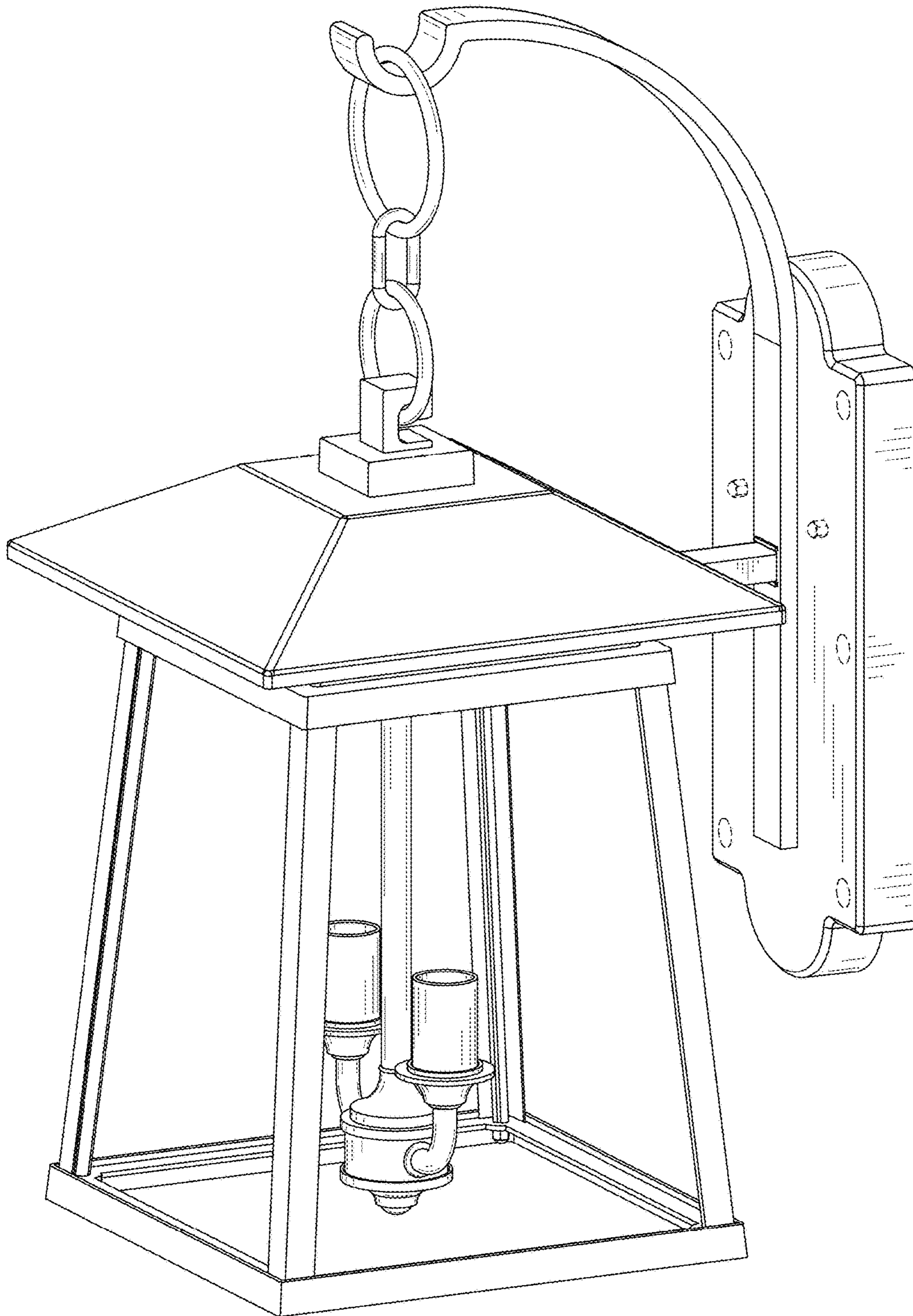


FIG. 7

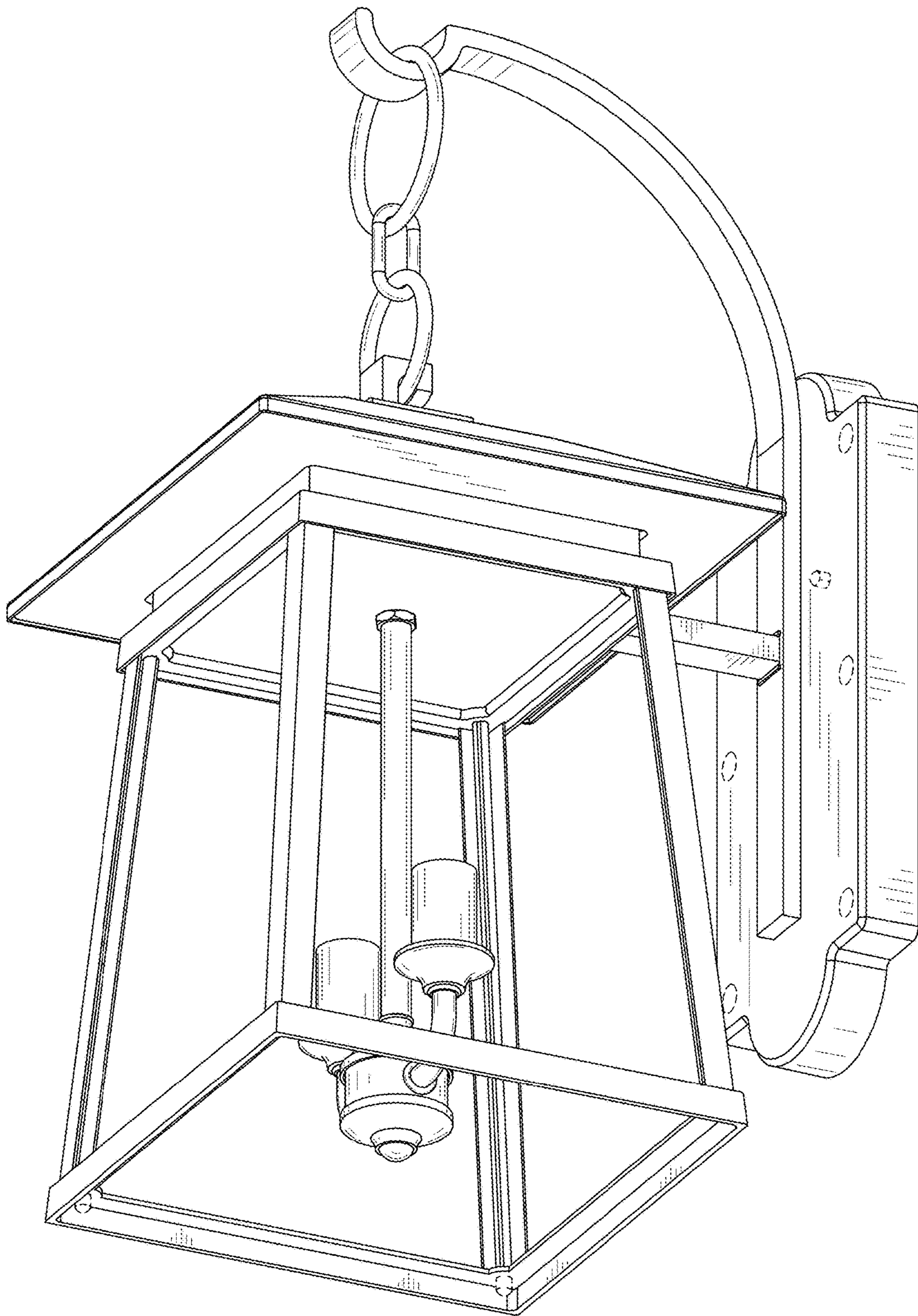


FIG. 8