



US00D831875S

(12) **United States Design Patent**
Sperling

(10) **Patent No.:** **US D831,875 S**

(45) **Date of Patent:** **** Oct. 23, 2018**

(54) **LIGHT FIXTURE**

(71) Applicant: **Maxim Lighting International, Inc.**,
City of Industry, CA (US)

(72) Inventor: **Jacob Sperling**, City of Industry, CA
(US)

(73) Assignee: **Maxim Lighting International, Inc.**,
City of Industry, CA (US)

(**) Term: **15 Years**

(21) Appl. No.: **29/590,399**

(22) Filed: **Jan. 10, 2017**

(51) **LOC (11) Cl.** **26-05**

(52) **U.S. Cl.**
USPC **D26/87; D26/92**

(58) **Field of Classification Search**
USPC D26/72, 80-89, 92
CPC .. F21S 8/033; F21S 8/036; F21S 8/038; F21S
9/037; F21W 2121/004; F21W 2131/107
See application file for complete search history.

(56) **References Cited**

U.S. PATENT DOCUMENTS

D80,251 S * 12/1929 Von Nessen D26/72
D379,547 S * 5/1997 Tognu' D26/92

D380,847 S * 7/1997 Mier-Langner D26/63
D385,372 S * 10/1997 Mier-Langner D26/63
D386,810 S * 11/1997 Porter D26/145
D400,282 S * 10/1998 Stewart D26/144
D503,239 S * 3/2005 Sonneman D26/107
D697,661 S * 1/2014 Sabernig D26/80

* cited by examiner

Primary Examiner — Cathron C Brooks

(74) *Attorney, Agent, or Firm* — Polsinelli PC; Adam C. Rehm

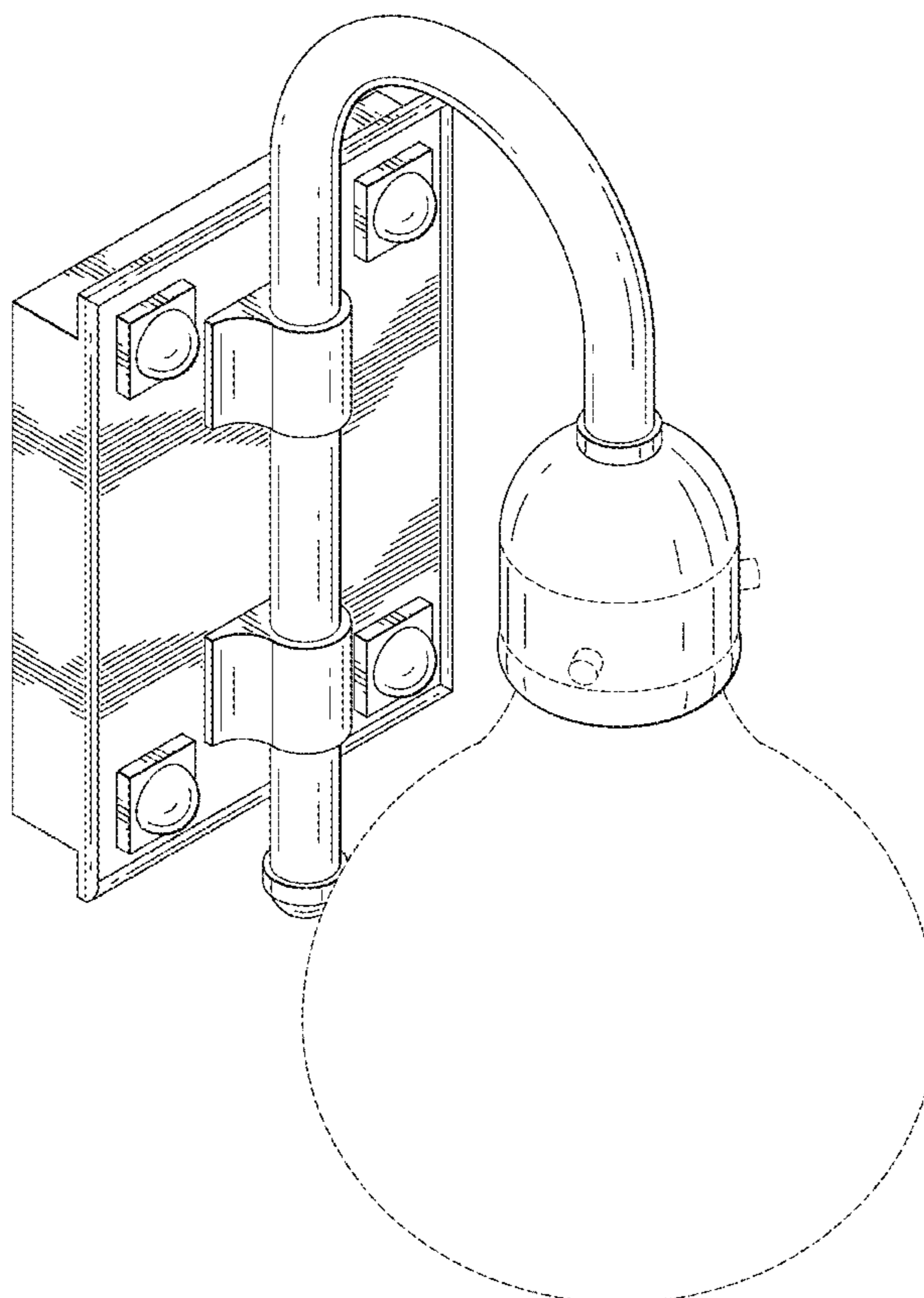
(57) **CLAIM**

The ornamental design for a light fixture, as shown and described.

DESCRIPTION

FIG. 1 is a front, top, right side perspective view of a light fixture according to the new design;
FIG. 2 is a front side elevation view thereof;
FIG. 3 is a rear side elevation view thereof;
FIG. 4 is a left side elevation view thereof;
FIG. 5 is a right side elevation view thereof;
FIG. 6 is a top plan view thereof;
FIG. 7 is a bottom plan view thereof; and,
FIG. 8 is a front, bottom, right side perspective view thereof.
The broken lines shown in the drawings illustrate portions of the light fixture that form no part of the claimed design.

1 Claim, 8 Drawing Sheets



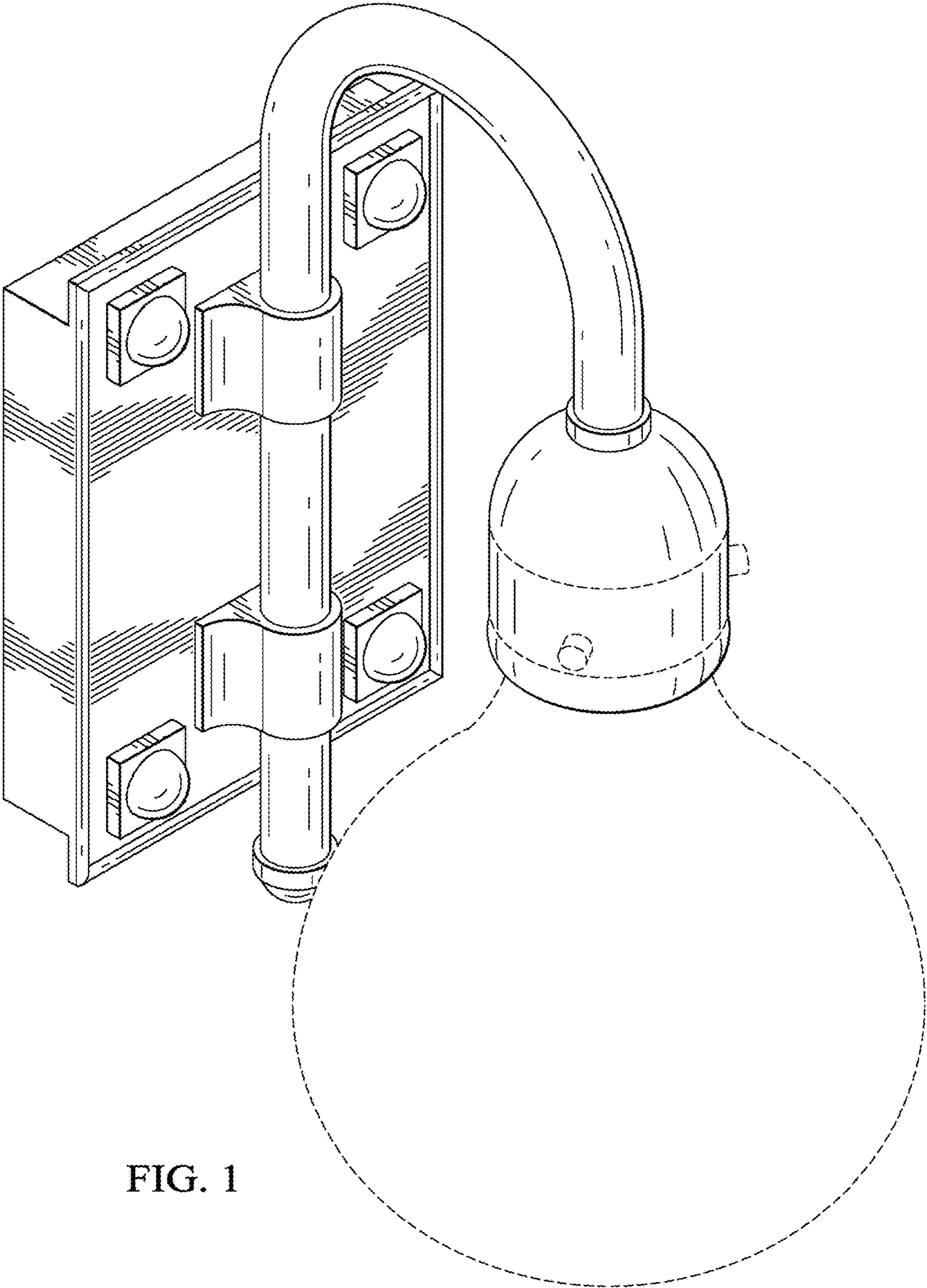


FIG. 1

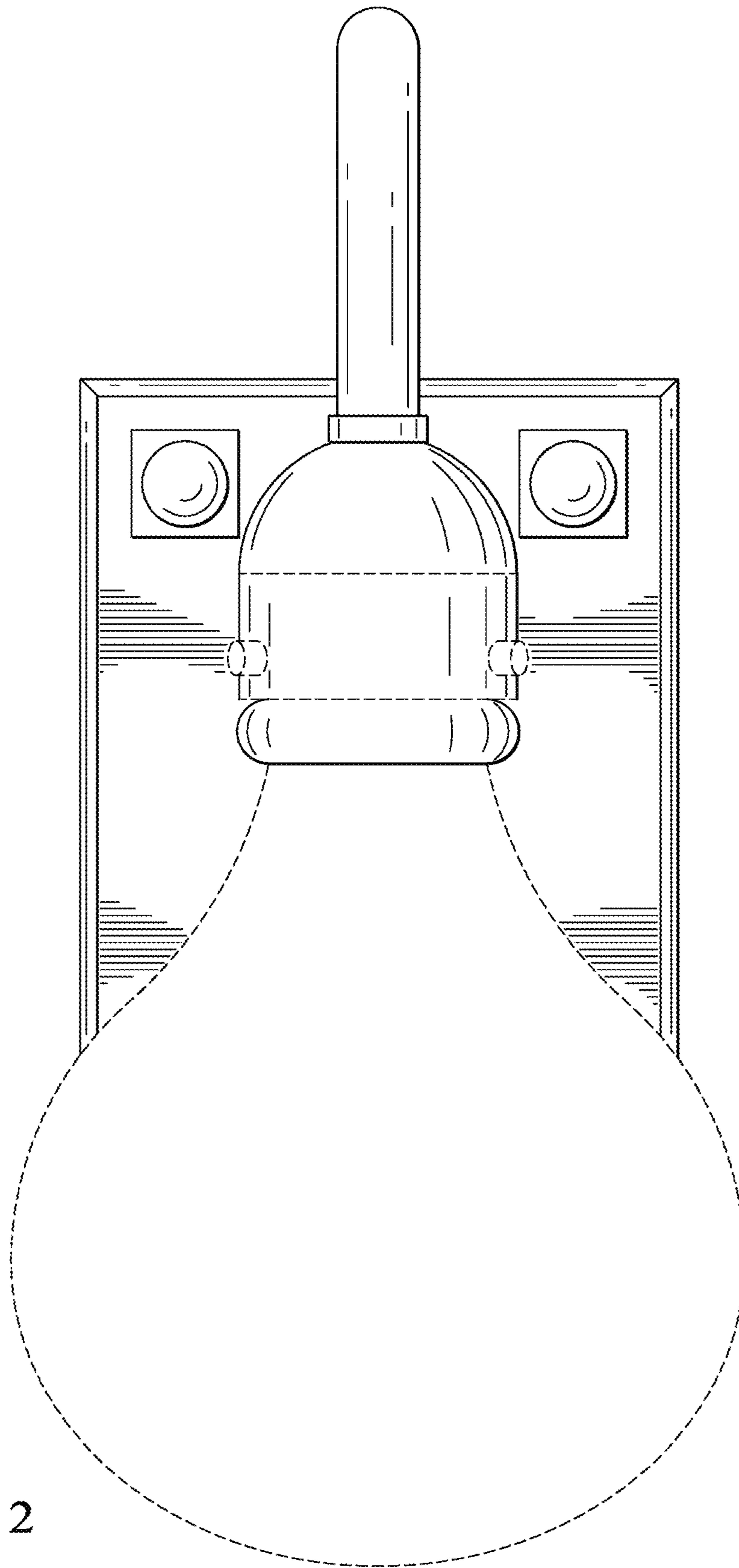


FIG. 2

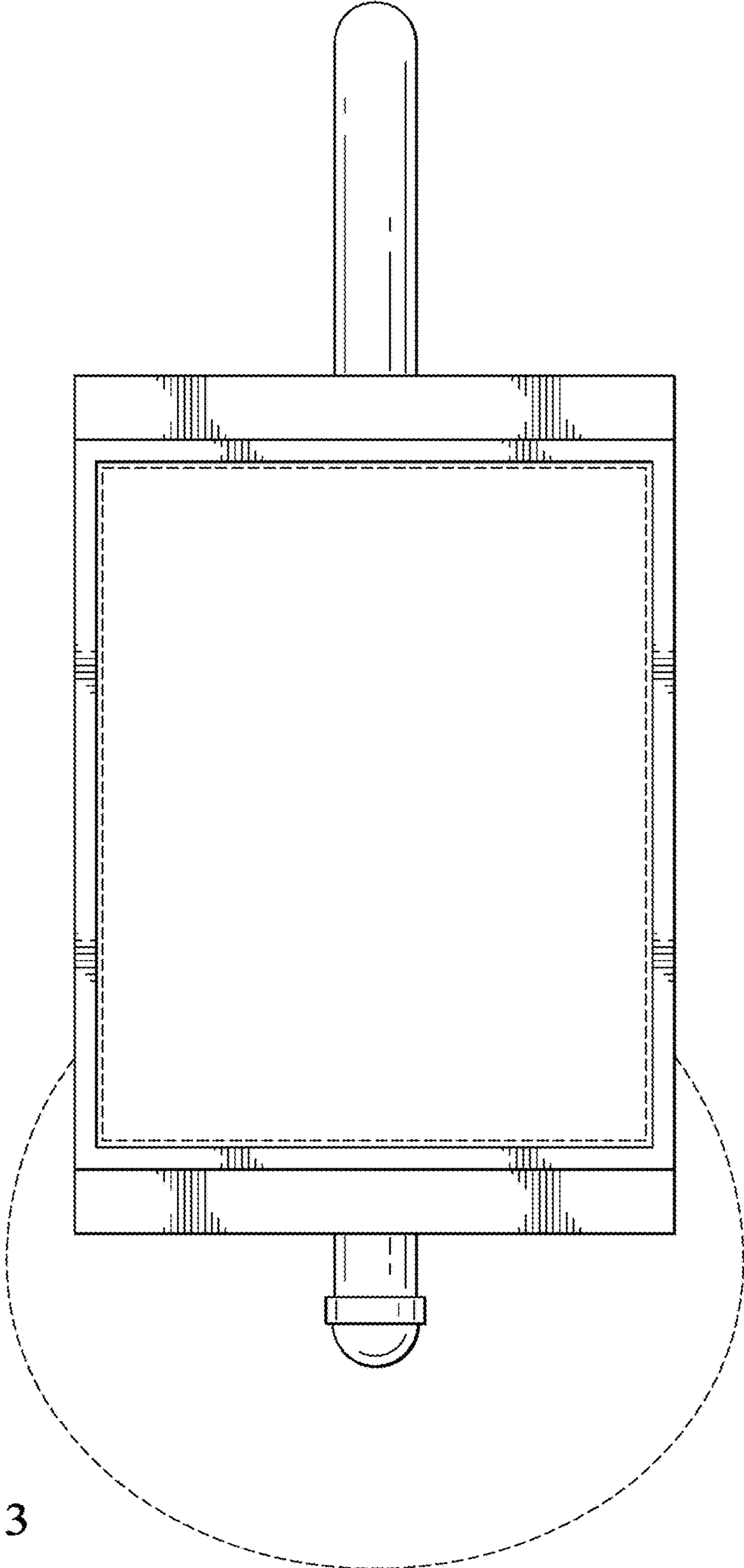


FIG. 3

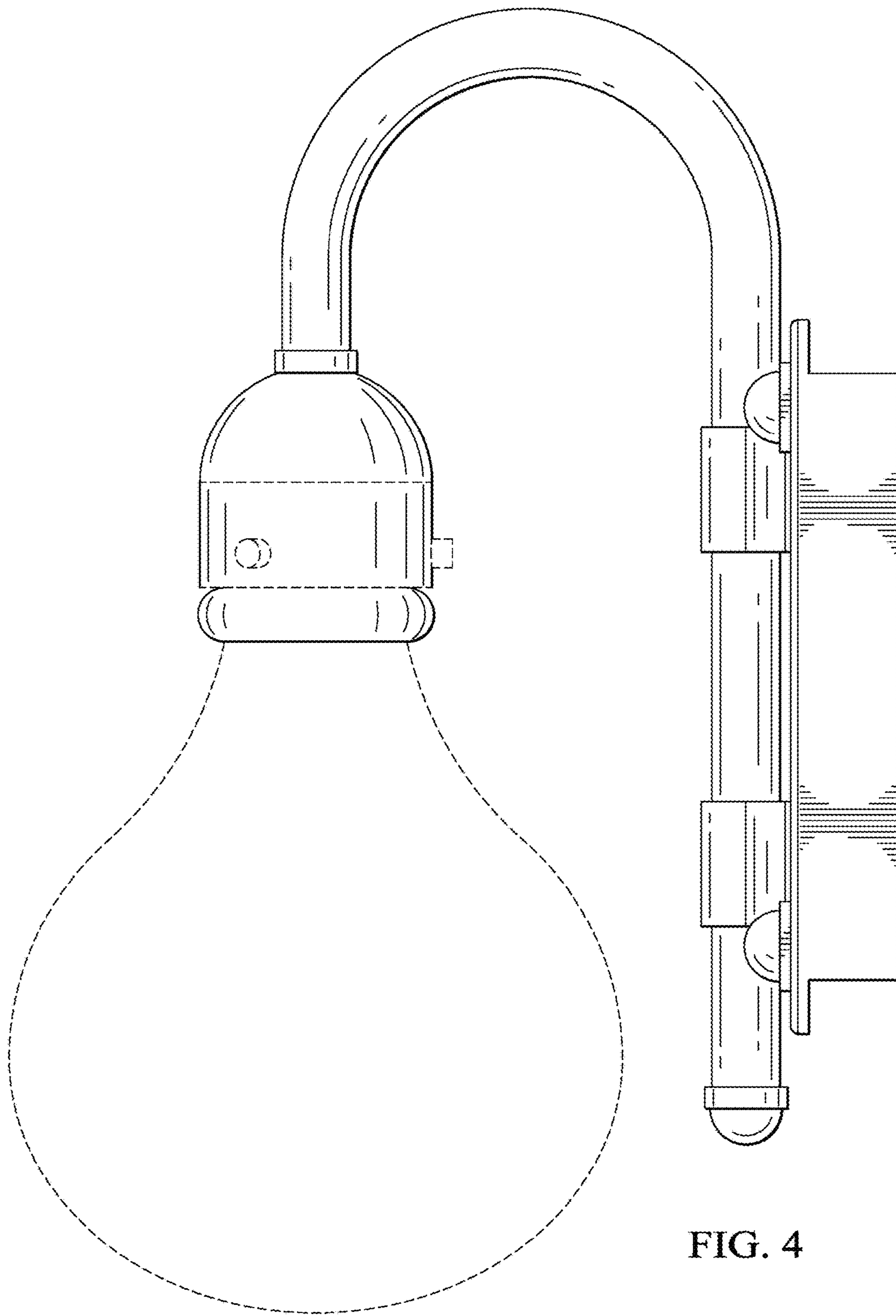


FIG. 4

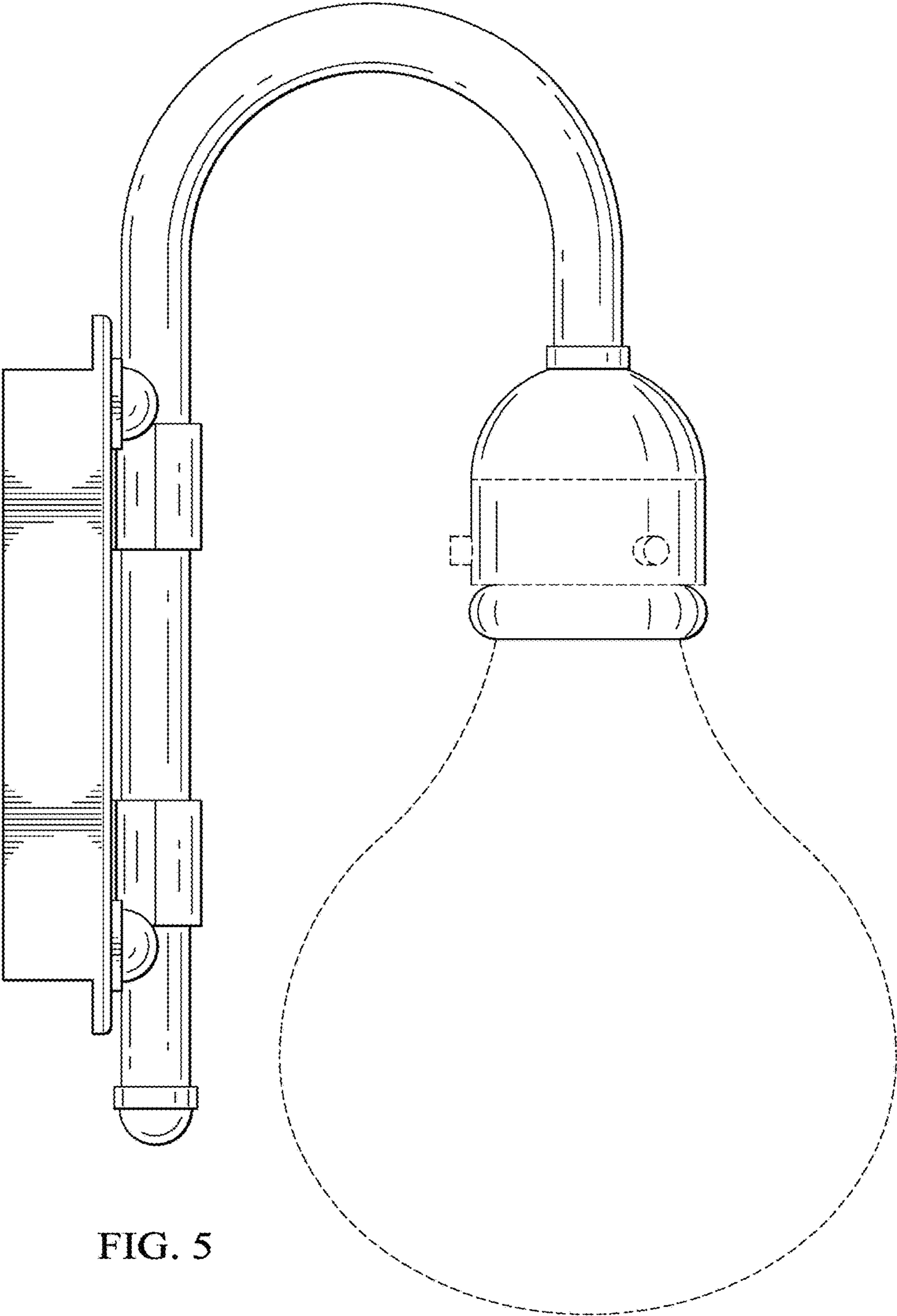


FIG. 5

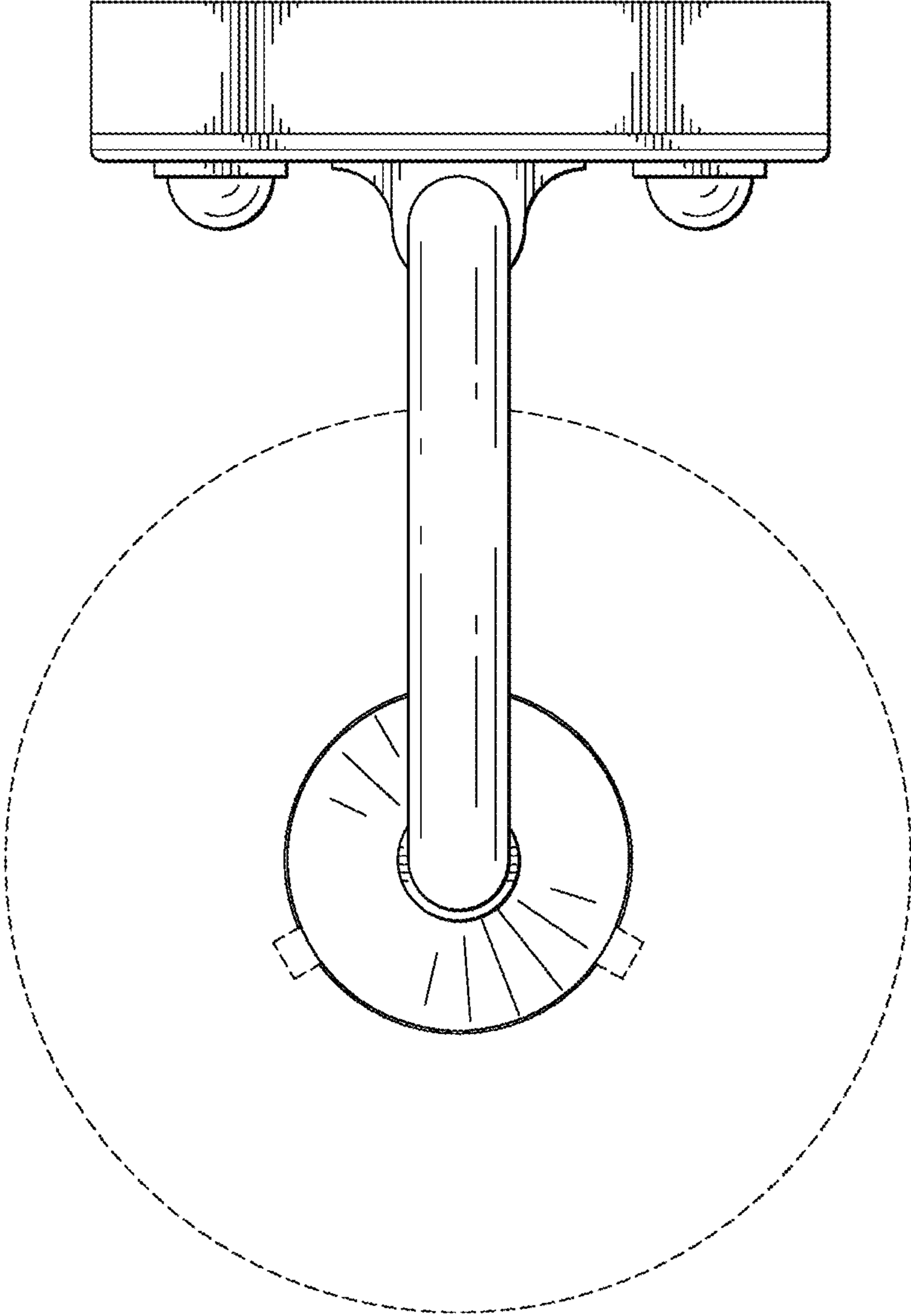


FIG. 6

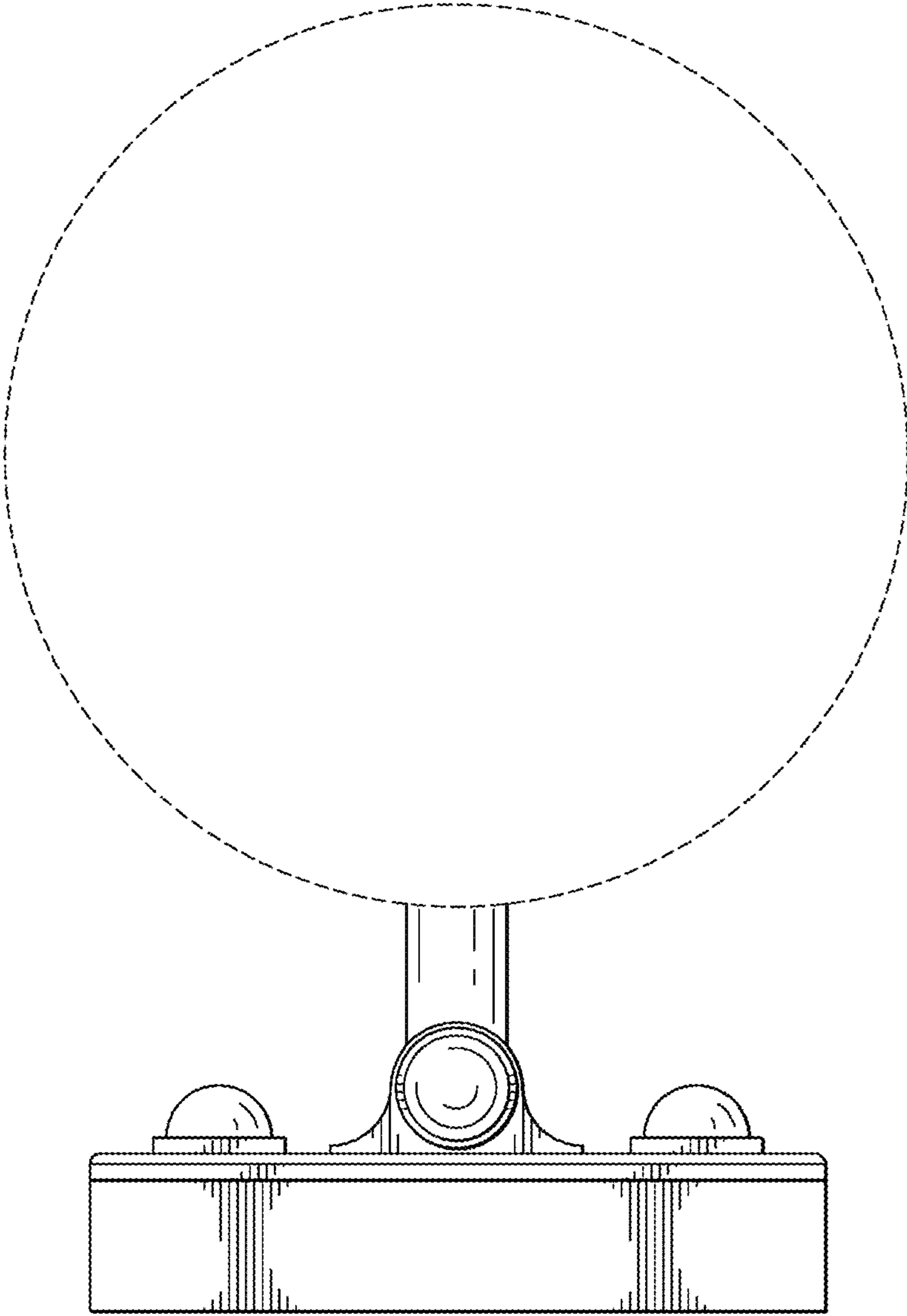


FIG. 7

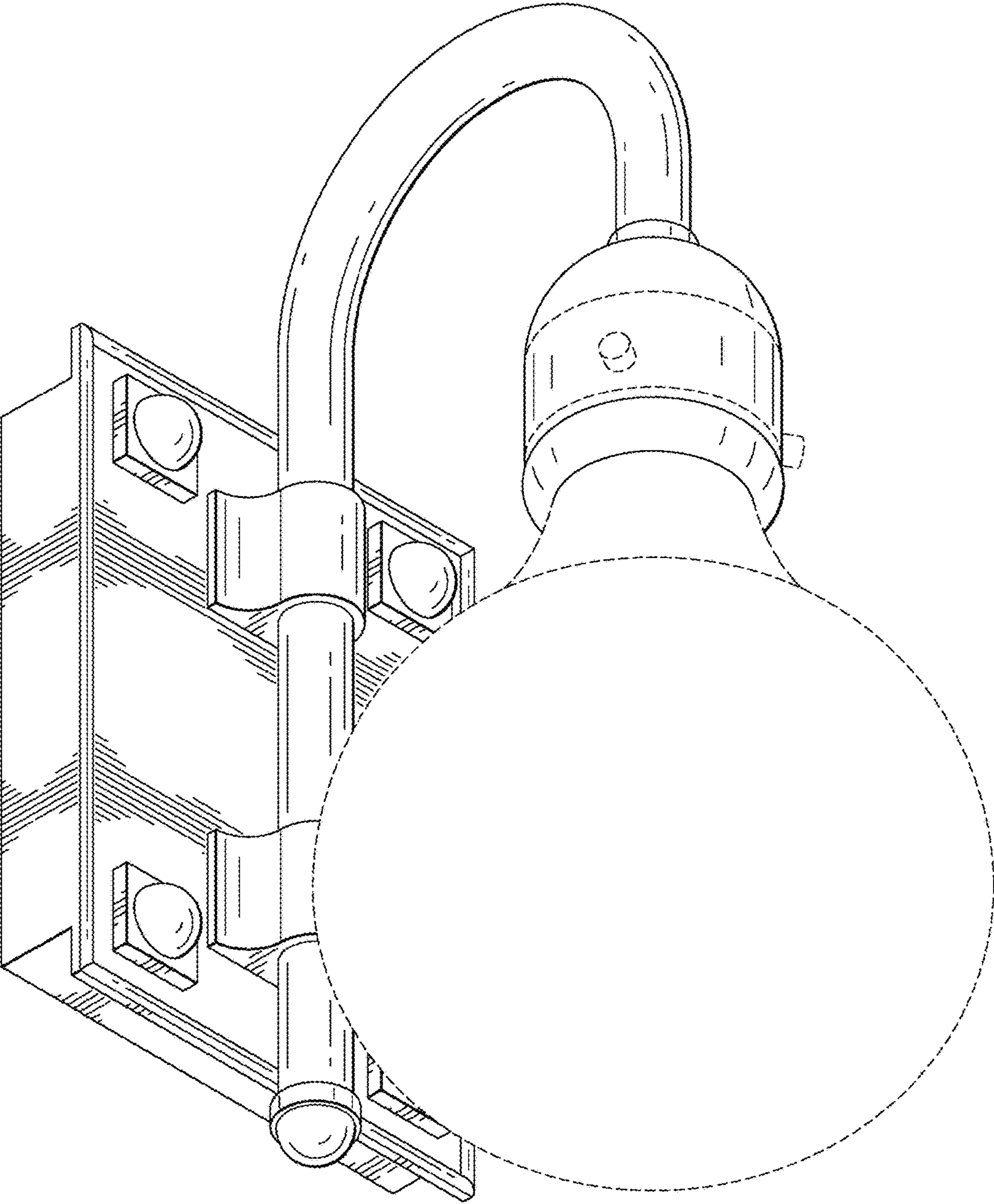


FIG. 8