



US00D831874S

(12) **United States Design Patent** (10) **Patent No.:** **US D831,874 S**
Sonneman (45) **Date of Patent:** **** Oct. 23, 2018**

(54) **LIGHT FIXTURE**
(71) Applicant: **Contemporary Visions, LLC**,
Larchmont, NY (US)
(72) Inventor: **Robert A. Sonneman**, Mamaroneck,
NY (US)
(73) Assignee: **CONTEMPORARY VISIONS, LLC**,
Larchmont, NY (US)
(**) Term: **15 Years**
(21) Appl. No.: **29/630,454**
(22) Filed: **Dec. 21, 2017**
(51) **LOC (11) Cl.** **26-05**
(52) **U.S. Cl.**
USPC **D26/74**
(58) **Field of Classification Search**
USPC D26/74, 72, 75, 76, 77, 78, 85, 88, 89,
D26/118, 138, 141; 362/364, 365, 373,
362/145, 146, 147, 148, 150, 153, 153.1,
362/294, 296.01, 296.07, 296.08
See application file for complete search history.

D627,094 S * 11/2010 Verelst D26/85
D646,827 S * 10/2011 Van Gompel D26/74
D681,864 S * 5/2013 Guercio D26/85
D689,238 S * 9/2013 Halsey D26/118
D725,819 S * 3/2015 Reynolds D26/118
D757,984 S * 5/2016 Breedlove, Sr. D26/67
D770,661 S * 11/2016 Huang D26/74
D793,607 S 8/2017 Sonneman
D795,487 S 8/2017 Sonneman

* cited by examiner

Primary Examiner — Angela J Lee

(74) *Attorney, Agent, or Firm* — Gottlieb, Rackman & Reisman, P.C.

(57) **CLAIM**

The ornamental design for a light fixture, as shown and described.

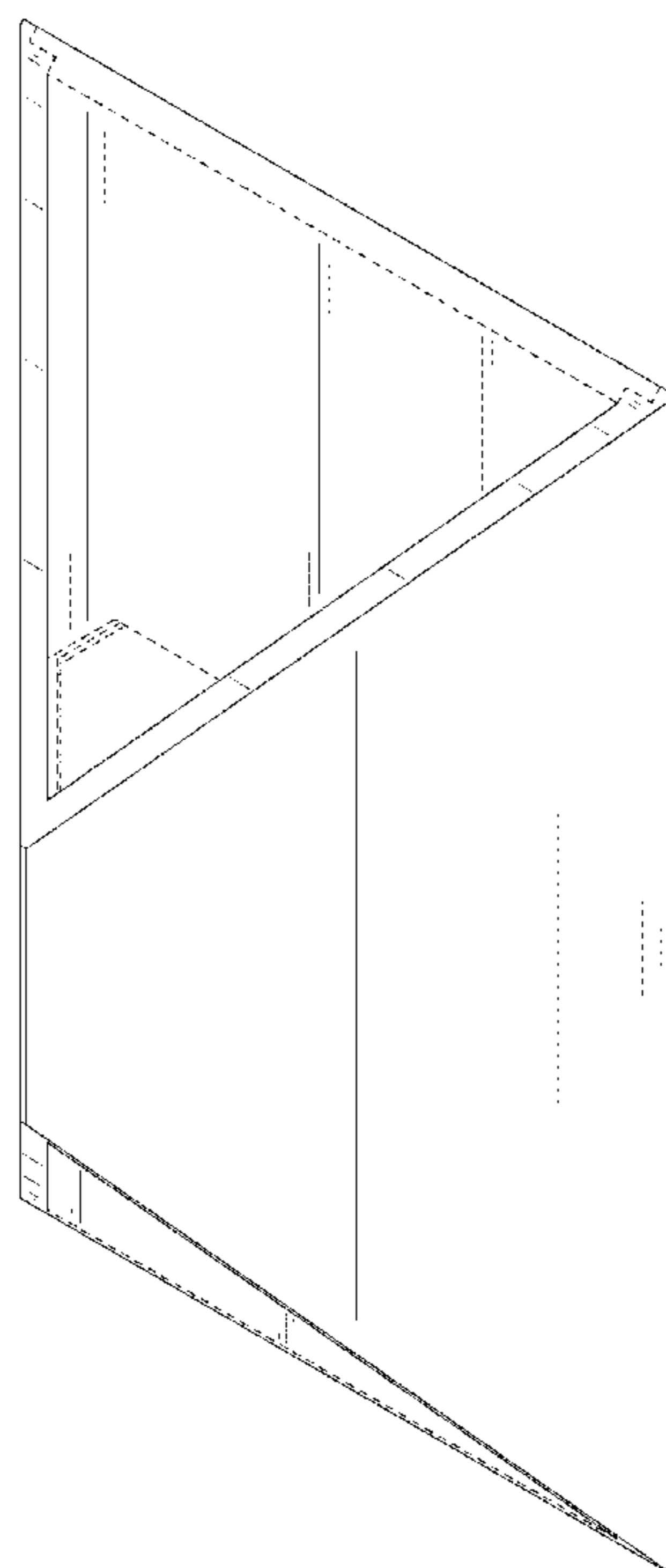
DESCRIPTION

FIG. 1 is a first perspective view of a light fixture showing my new design;
FIG. 2 is a second perspective view thereof;
FIG. 3 is a third perspective view thereof;
FIG. 4 is a front elevational view thereof;
FIG. 5 is a rear elevational view thereof;
FIG. 6 is a right side elevational view thereof;
FIG. 7 is a left side elevational view thereof;
FIG. 8 is a top plan view thereof;
FIG. 9 is a bottom plan view thereof; and,
FIG. 10 is a cross-sectional view of FIG. 8.

The broken lines shown in the drawings are included for the purpose of illustrating portions of the light fixture that form no part of the claimed design.

1 Claim, 10 Drawing Sheets

(56) **References Cited**
U.S. PATENT DOCUMENTS
D248,184 S * 6/1978 Roberts D26/85
D364,479 S * 11/1995 Gilbert D26/75
D373,132 S * 8/1996 Baillie-Hamilton D16/237
D394,518 S * 5/1998 Burrow 26/76
D591,440 S * 4/2009 Maxik D26/72
D626,270 S * 10/2010 Waldmann D26/85



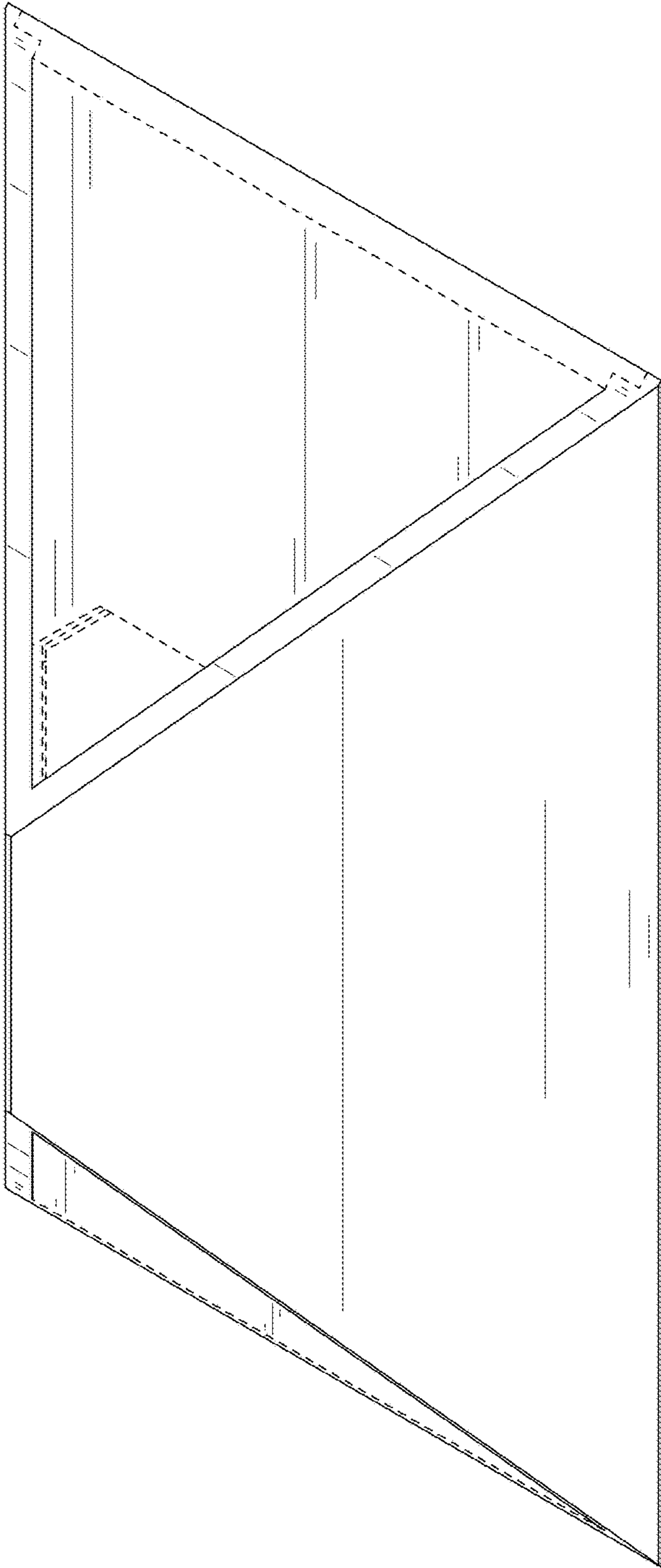


FIG. 1

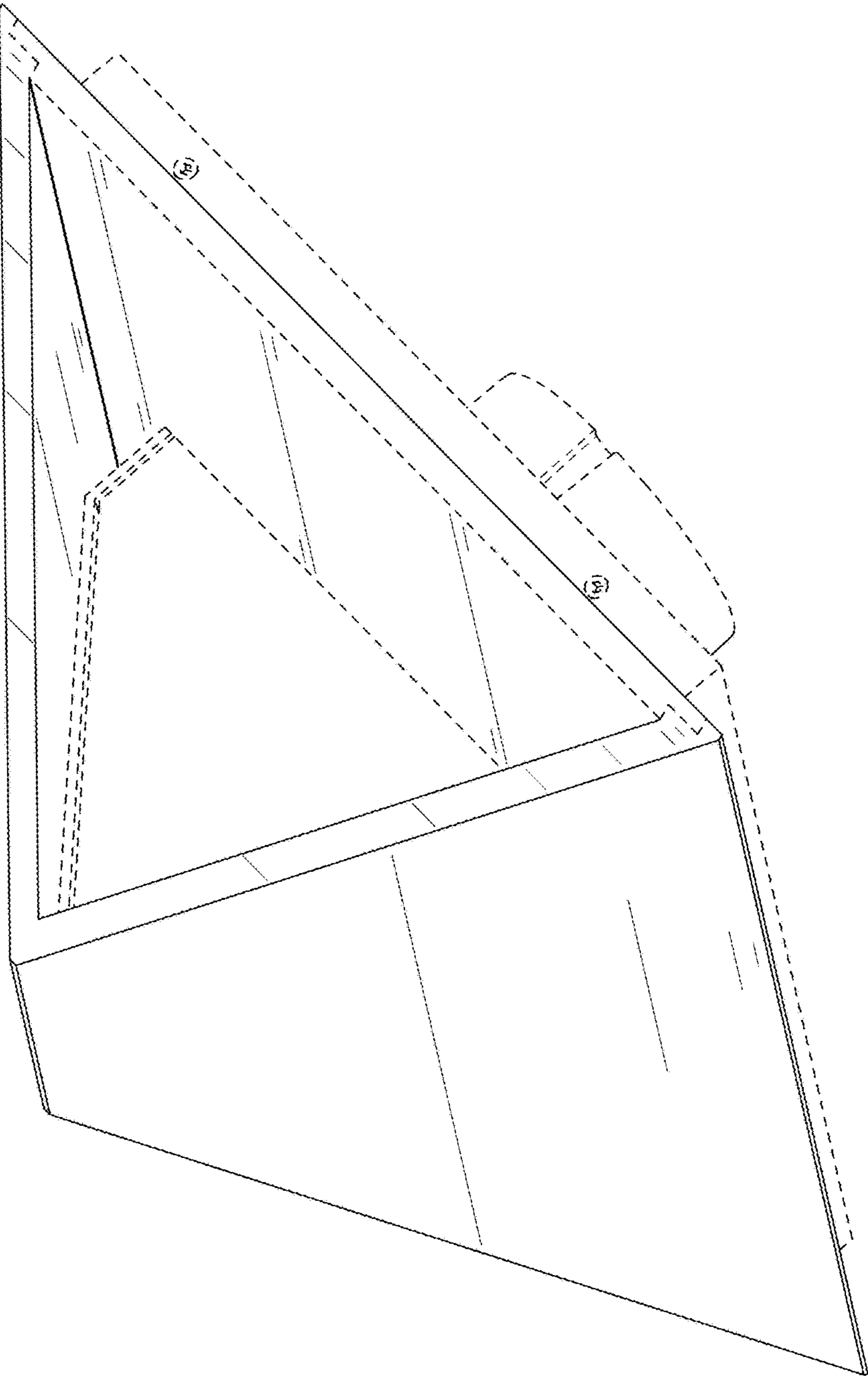


FIG. 2

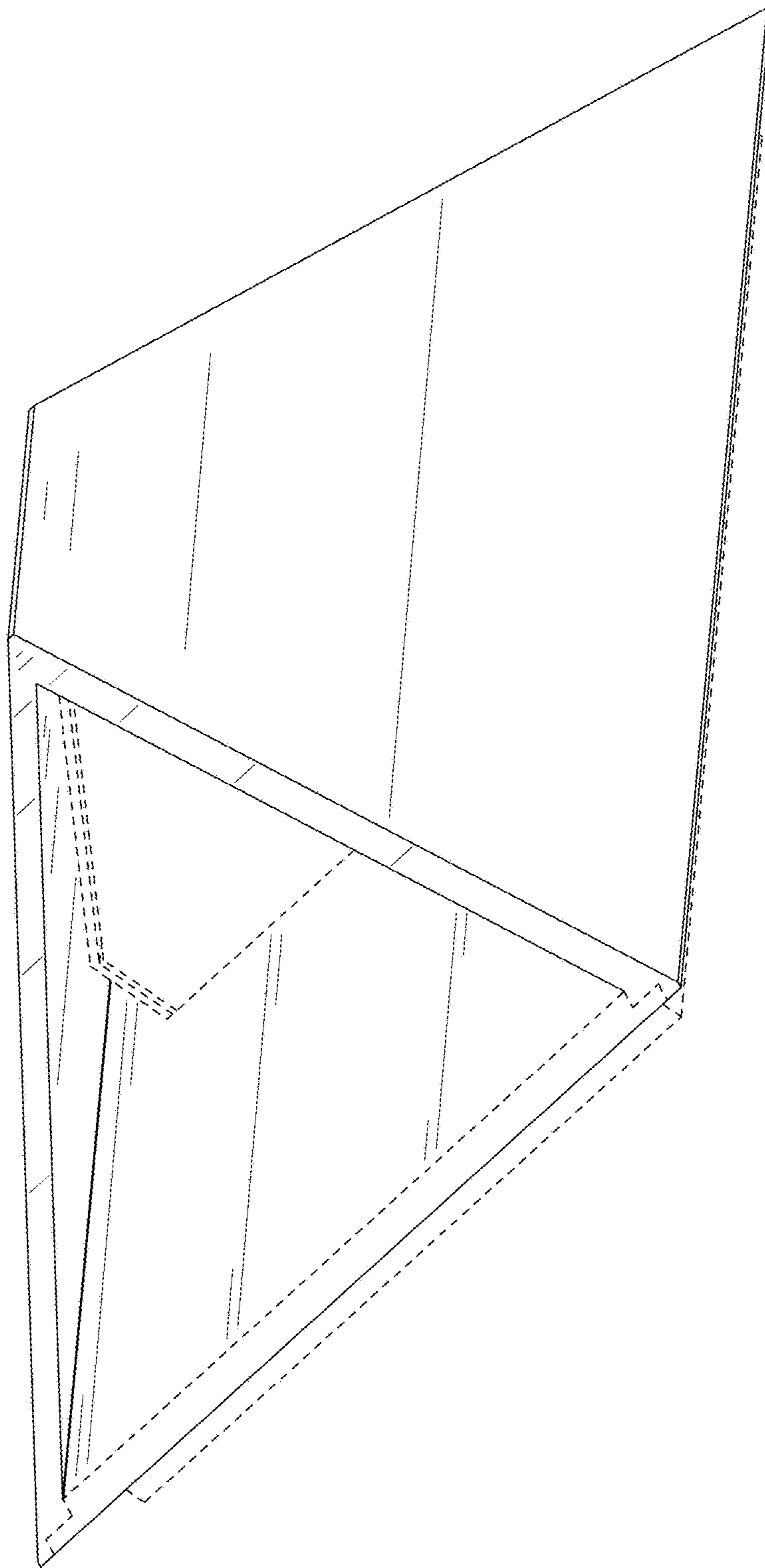


FIG. 3

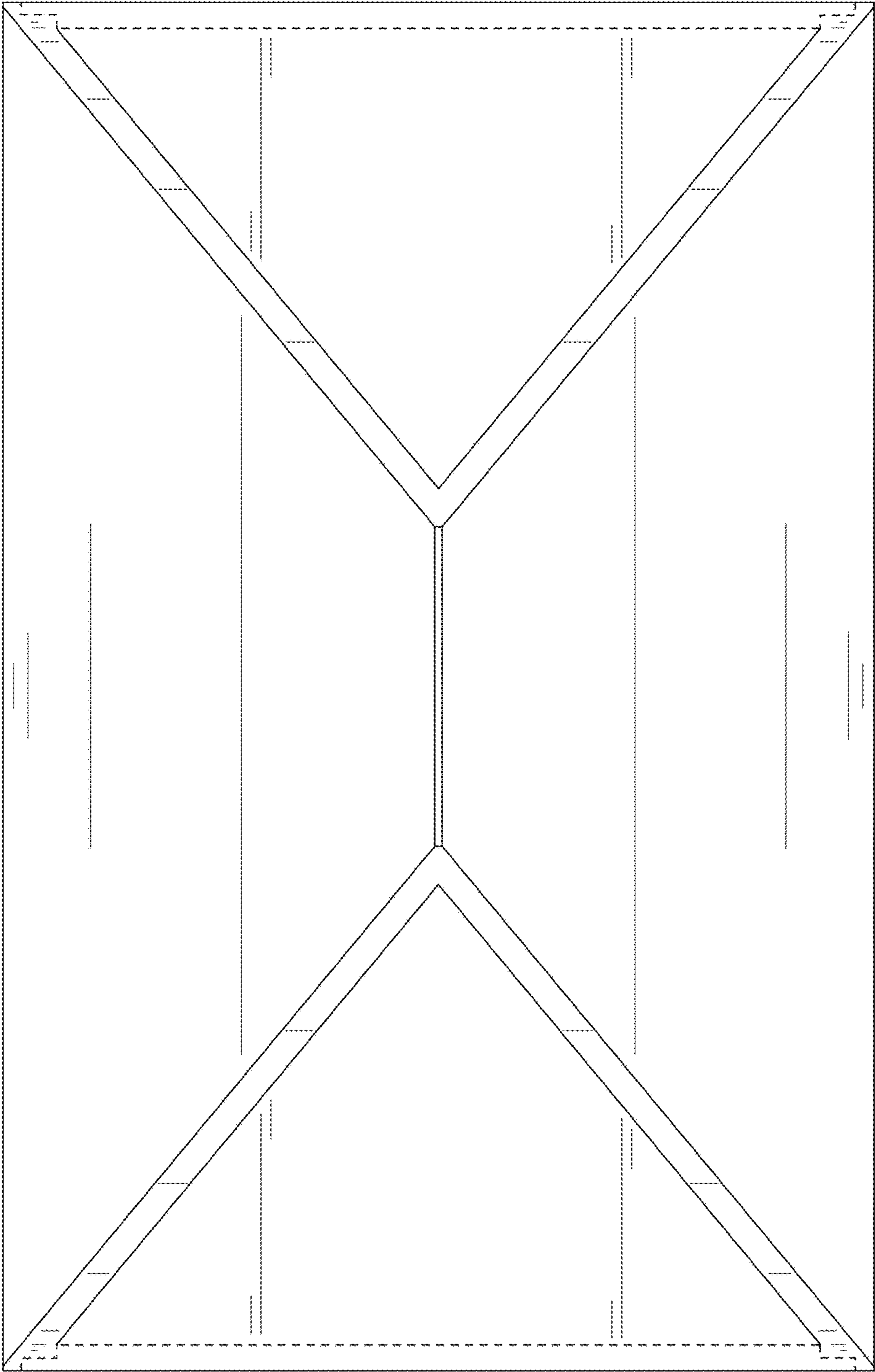


FIG. 4

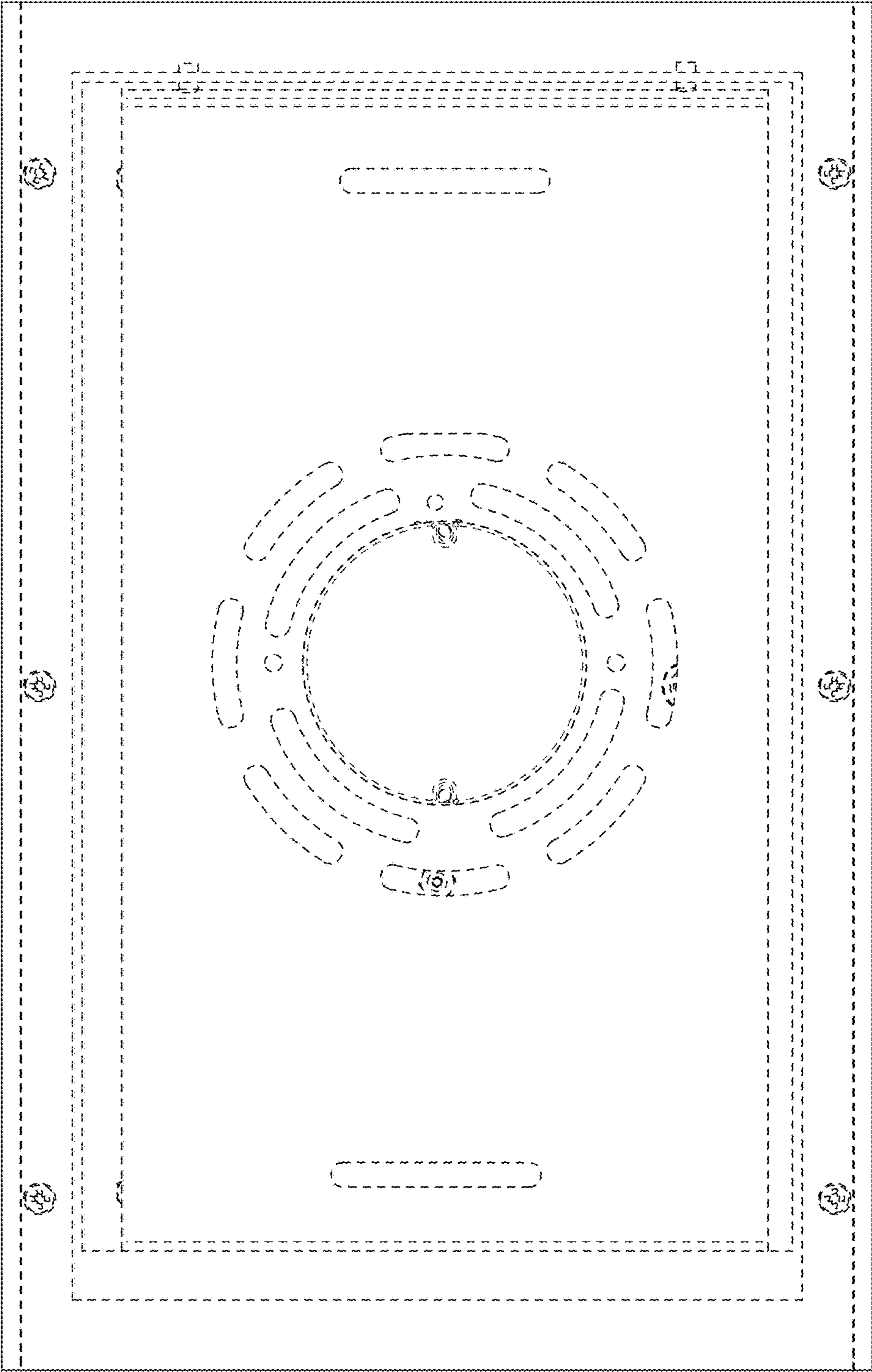


FIG. 5

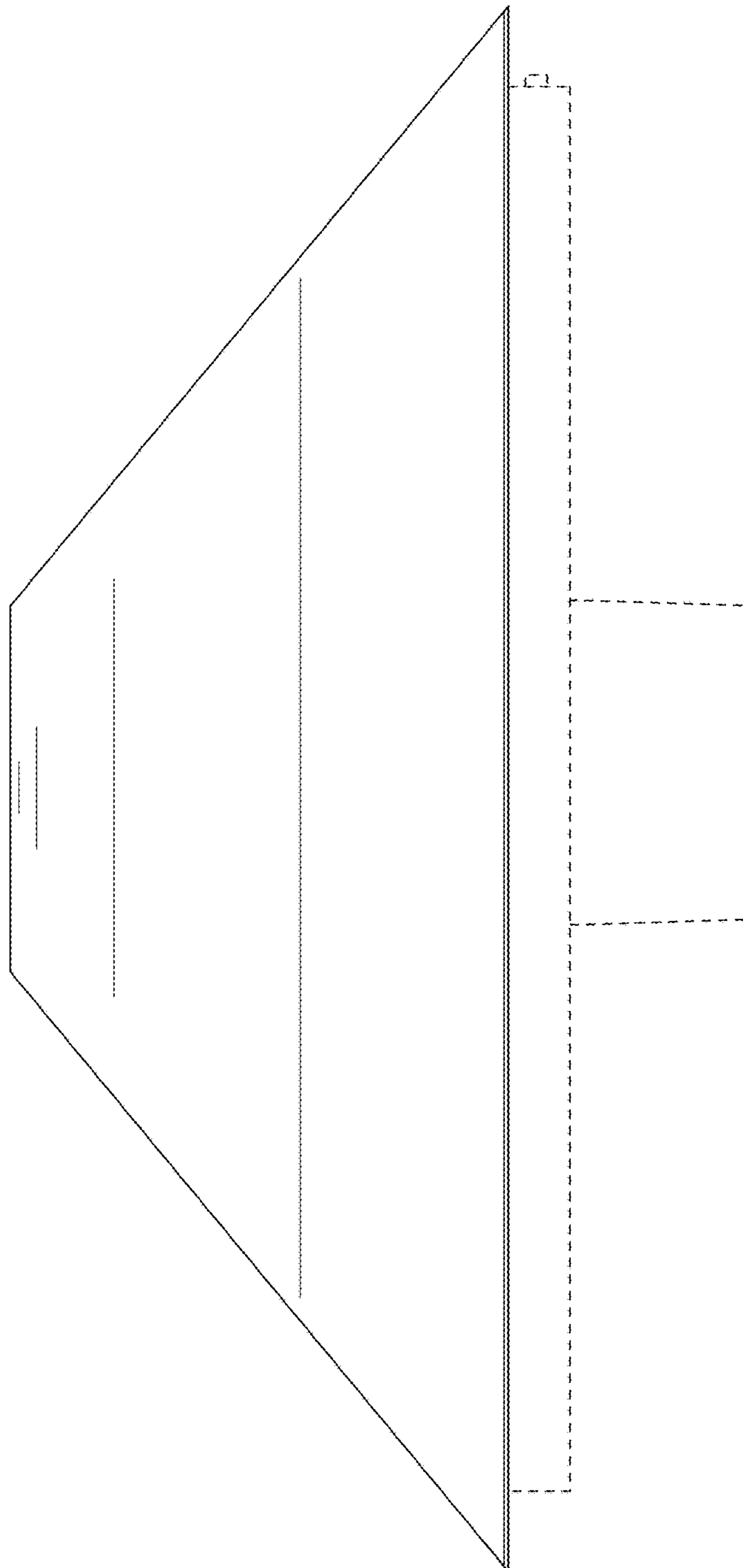


FIG. 7

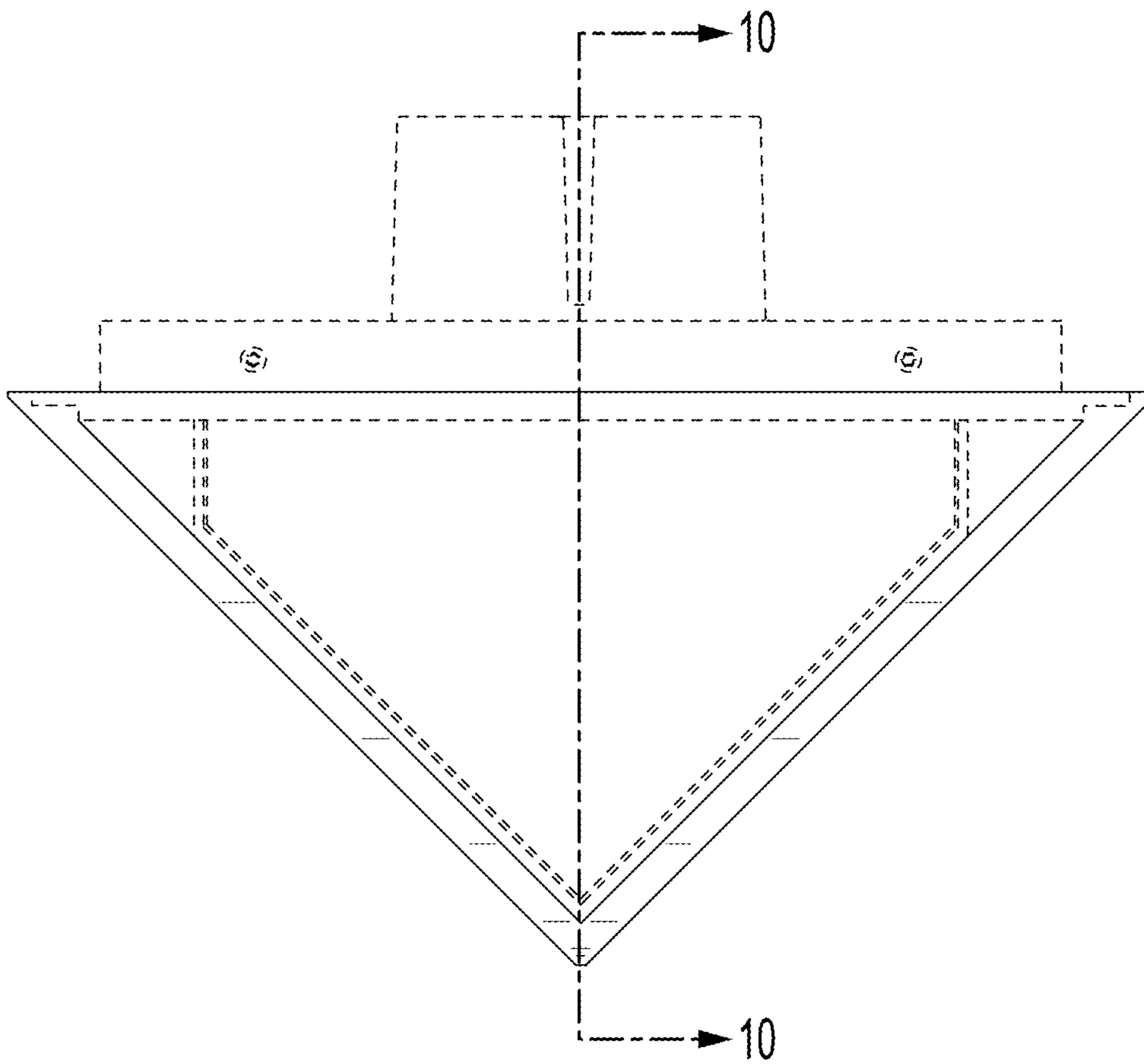


FIG. 8

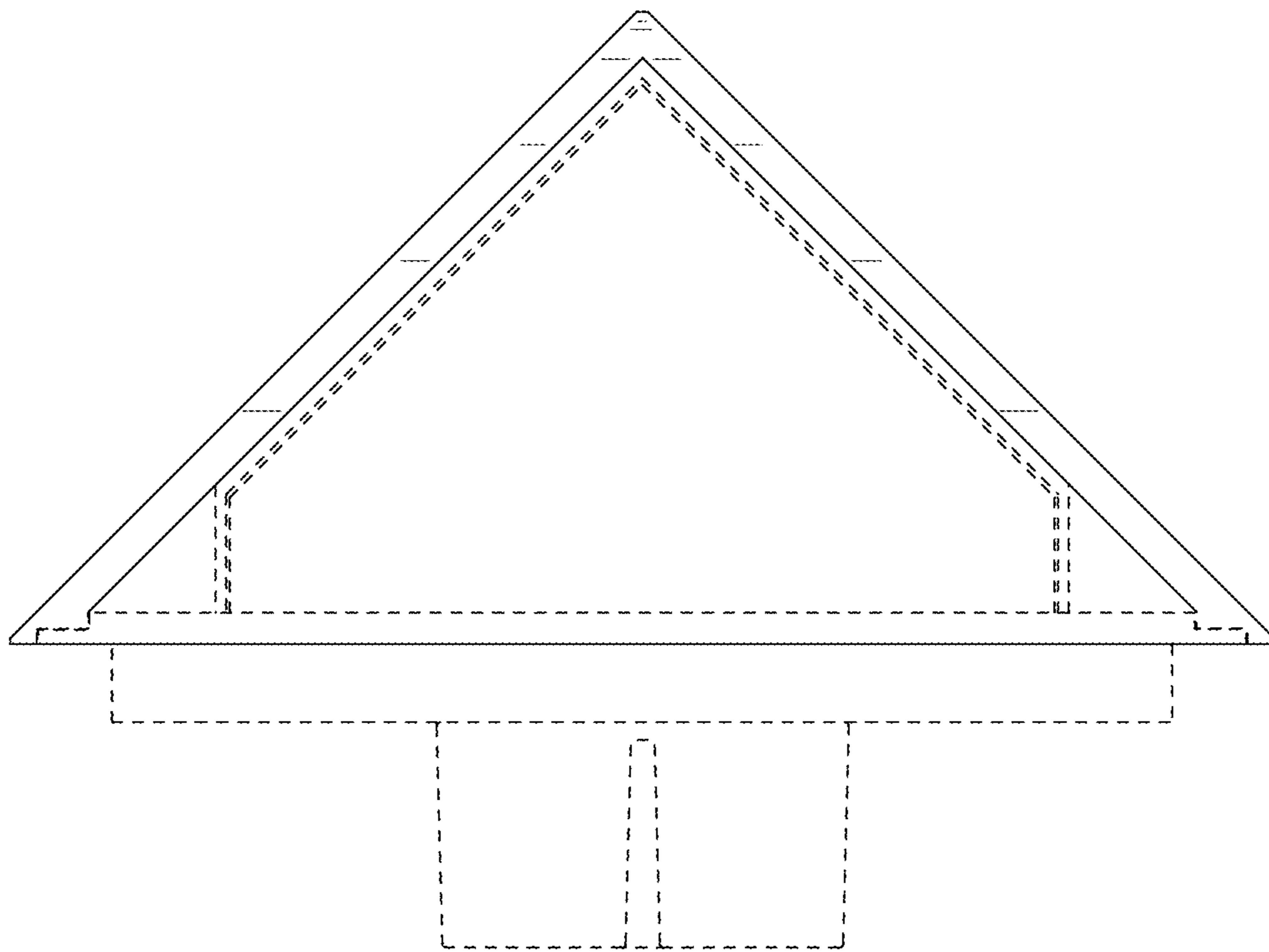


FIG. 9

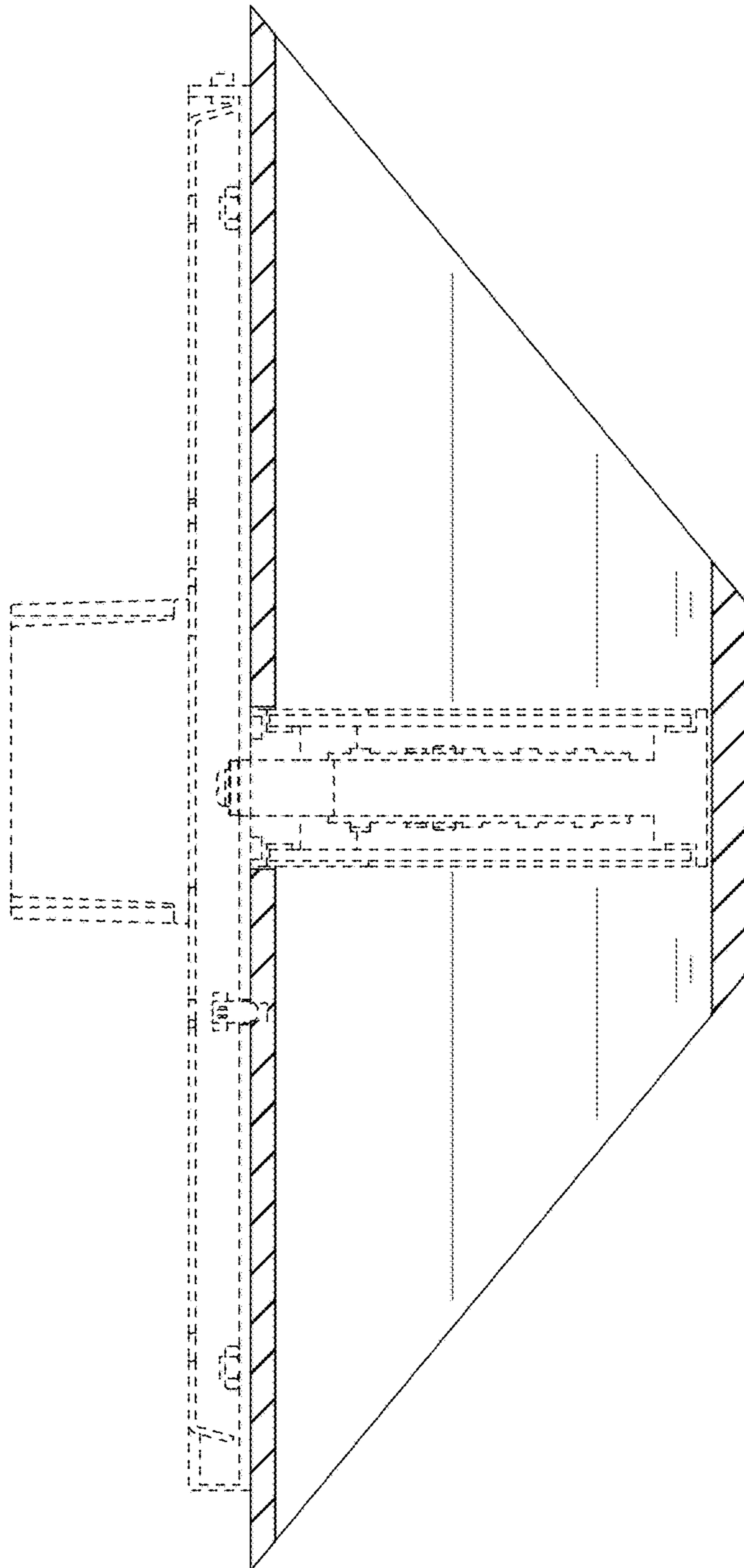


FIG. 10