



US00D831873S

(12) **United States Design Patent**  
**Rybol et al.**

(10) **Patent No.:** **US D831,873 S**  
(45) **Date of Patent:** **\*\* Oct. 23, 2018**

(54) **LUMINAIRE**  
(71) Applicant: **ZUMTOBEL LIGHTING GMBH,**  
Lemgo (DE)  
(72) Inventors: **Alexander Rybol,** Stuttgart (DE);  
**Juergen Gaiser,** Fellbach (DE)  
(73) Assignee: **ZUMTOBEL LIGHTING GMBH,**  
Lemgo (DE)

D710,047 S \* 7/2014 Hildebrandt ..... D26/74  
D777,967 S \* 1/2017 Redfern ..... D26/74  
D786,472 S \* 5/2017 Redfern ..... D26/74  
D786,473 S \* 5/2017 Dean ..... D26/74  
D790,102 S \* 6/2017 Guzzini ..... D26/74  
D808,058 S \* 1/2018 Johnson ..... D26/74  
D809,177 S \* 1/2018 Fujisawa ..... D26/74  
D810,345 S \* 2/2018 Redfern ..... D26/74

(\*\*) Term: **15 Years**  
(21) Appl. No.: **29/614,384**  
(22) Filed: **Aug. 18, 2017**

(30) **Foreign Application Priority Data**  
Feb. 21, 2017 (EM) ..... 003 760 248  
(51) **LOC (11) Cl.** ..... **26-05**  
(52) **U.S. Cl.**  
USPC ..... **D26/74**  
(58) **Field of Classification Search**  
USPC ..... D26/72, 74, 79, 85, 88, 89  
CPC ..... F21S 8/00; F21S 8/02; F21S 8/026; F21V  
21/04; F21V 21/042; F21V 21/044; F21V  
21/047; F21V 29/00; F21V 29/74; F21V  
29/75; F21V 29/76  
See application file for complete search history.

(56) **References Cited**  
**U.S. PATENT DOCUMENTS**  
D568,522 S \* 5/2008 Engel ..... D26/74  
D659,879 S \* 5/2012 Rashidi ..... D26/74

**OTHER PUBLICATIONS**

Pascala Square Downlight, rzb catalog, site visited Jun. 15, 2018,  
available online at <https://www.rzb.de/en/products/catalogue/series/pascala/> (Year: 2018).\*

\* cited by examiner

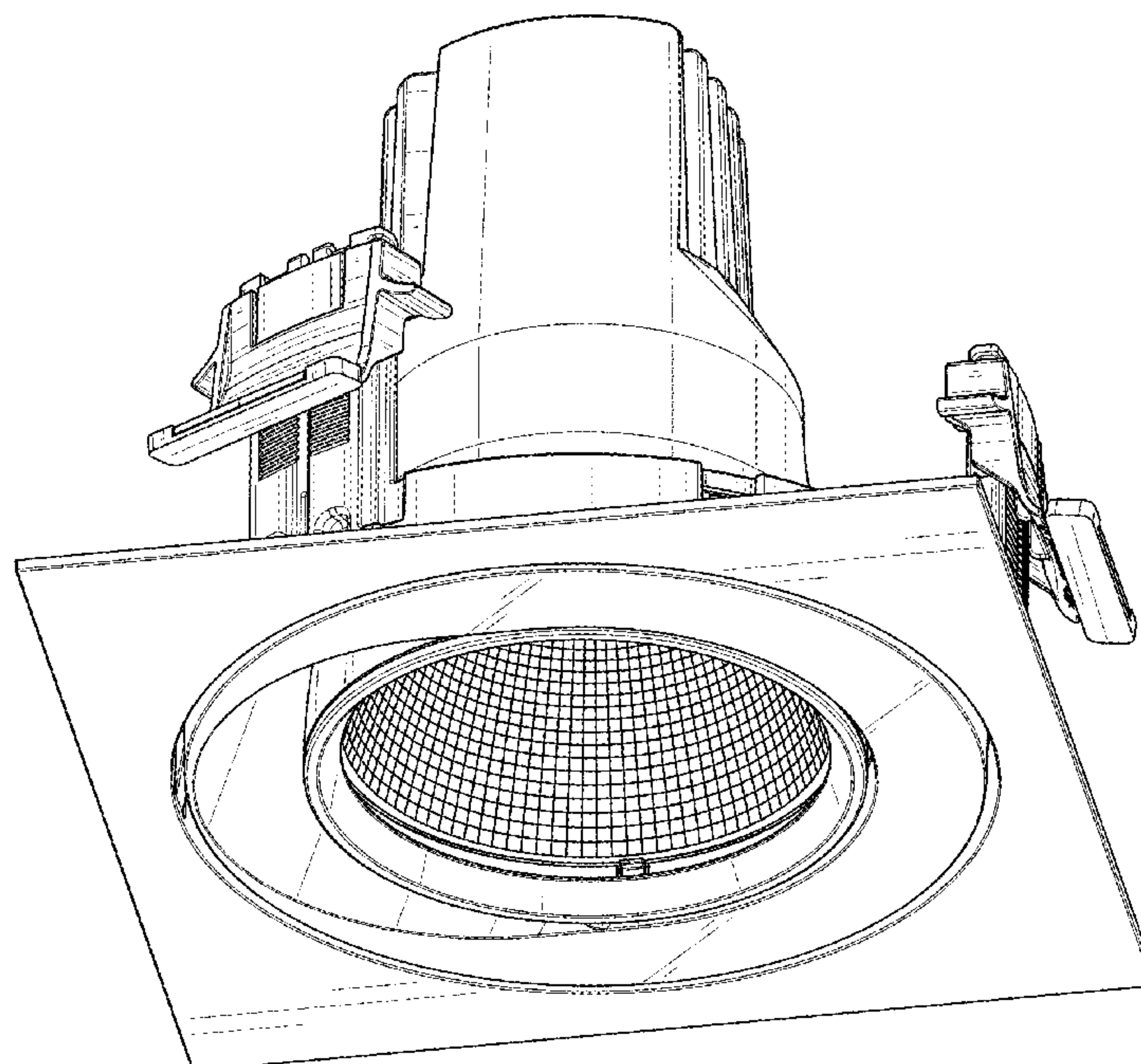
*Primary Examiner* — Cathron C Brooks  
(74) *Attorney, Agent, or Firm* — Scully Scott Murphy and  
Presser; Frank Digiglio

(57) **CLAIM**  
The ornamental design for a luminaire, as shown.

**DESCRIPTION**

FIG. 1 is a bottom perspective view of a luminaire showing  
our new design;  
FIG. 2 is a top perspective view thereof;  
FIG. 3 is a bottom plan view thereof;  
FIG. 4 is a top plan view thereof;  
FIG. 5 is a front elevation view thereof;  
FIG. 6 is a side elevation view thereof; and,  
FIG. 7 is a rear elevation view thereof.

**1 Claim, 7 Drawing Sheets**



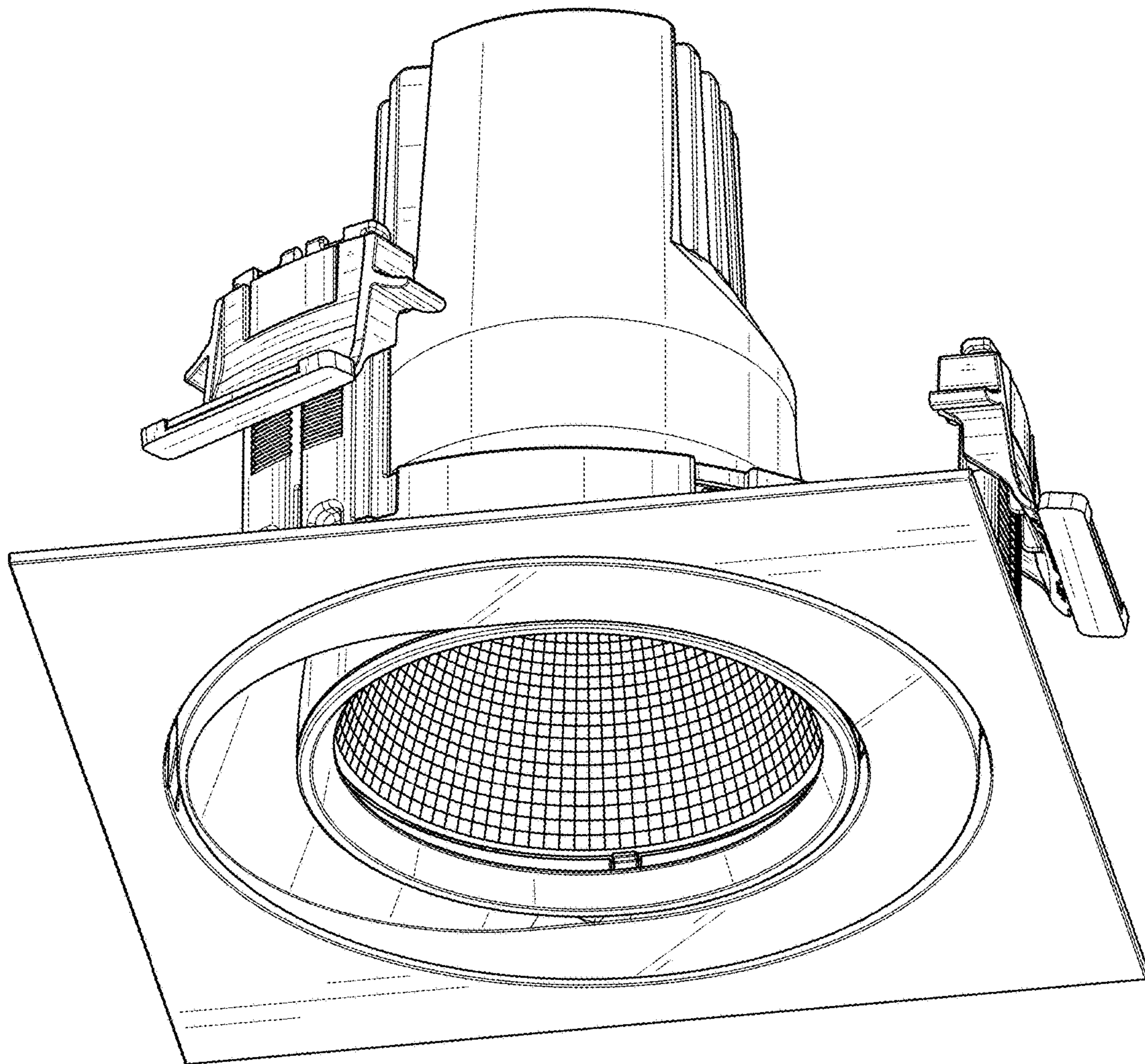


FIG. 1



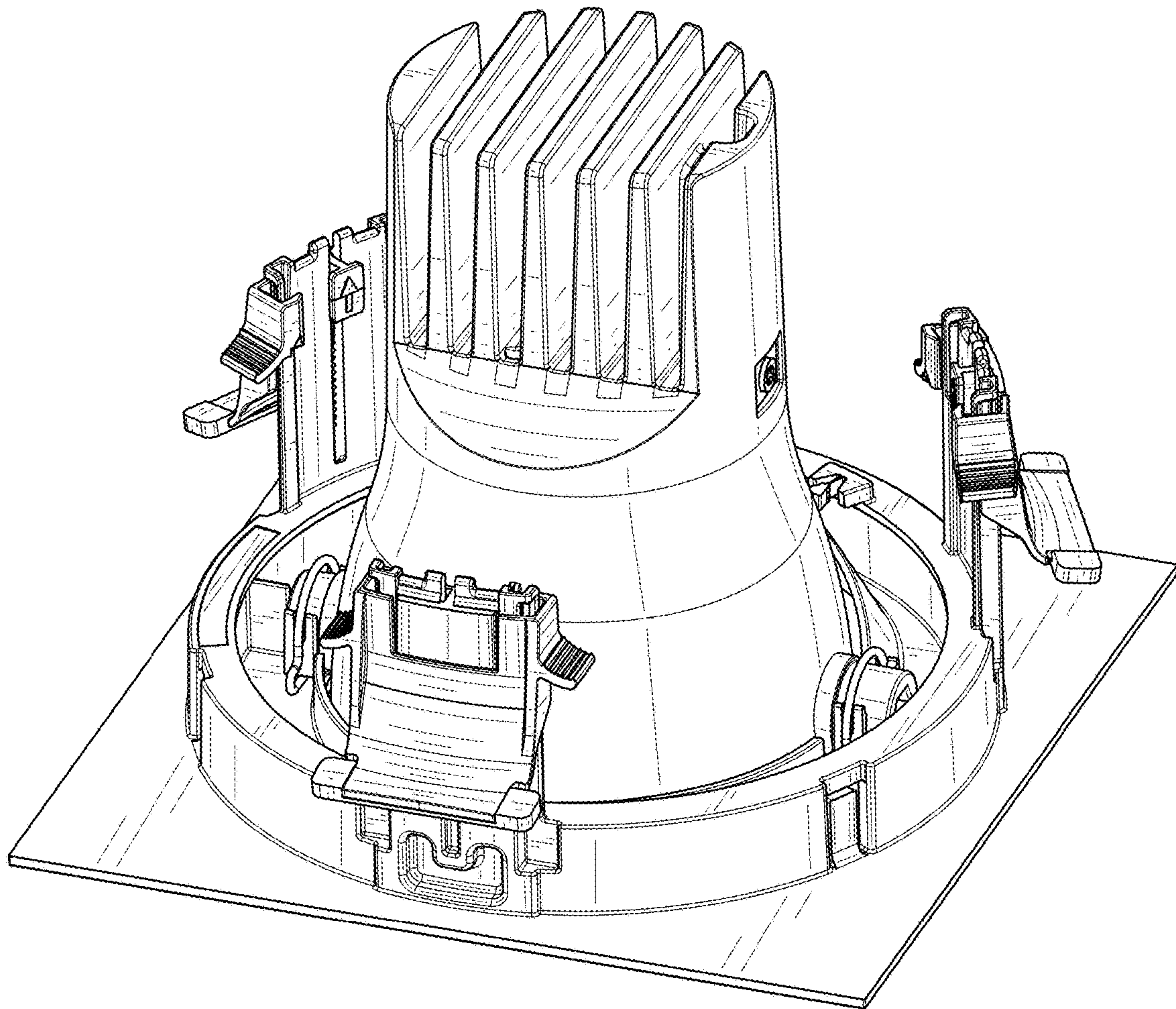


FIG. 2

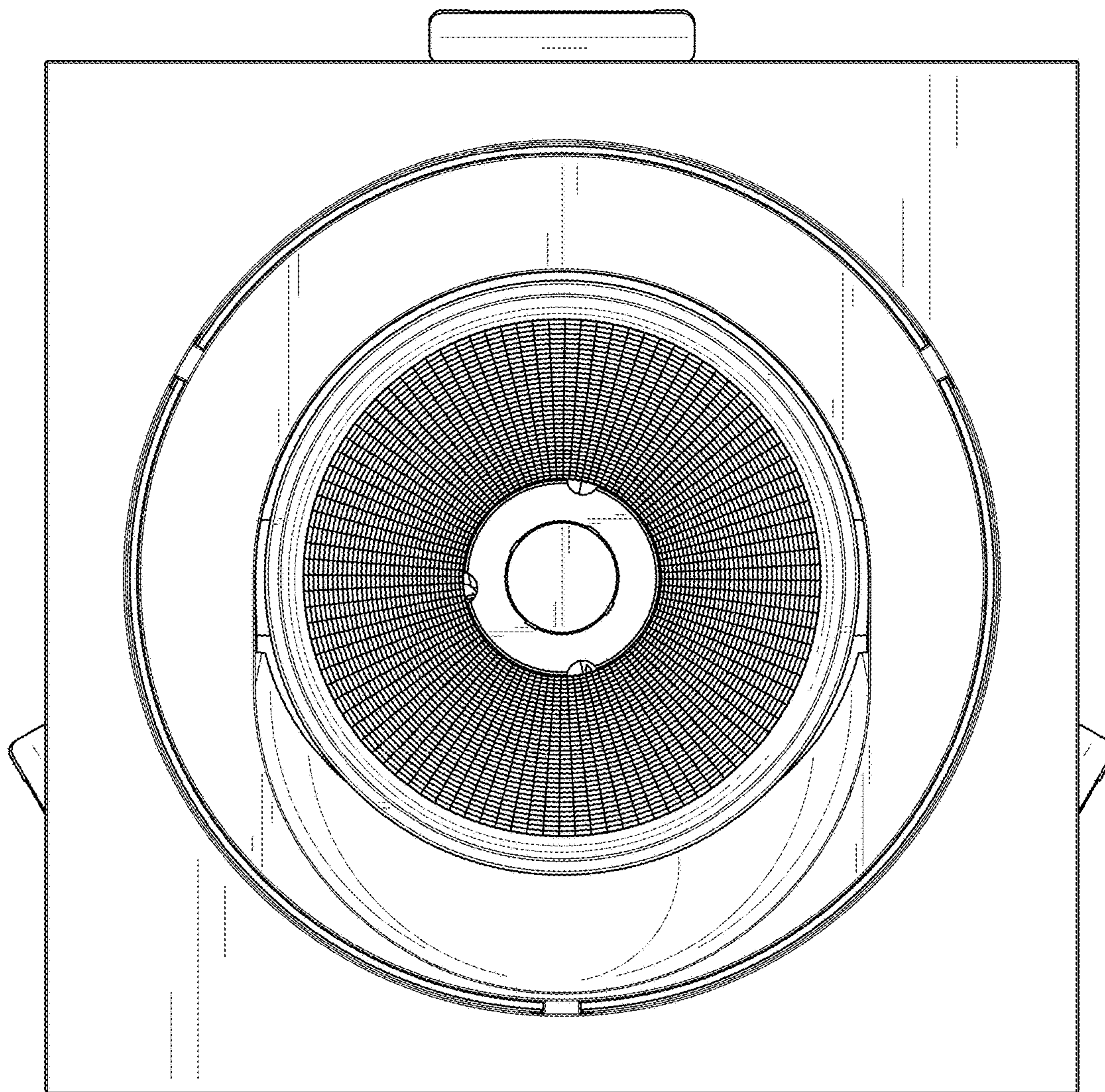


FIG. 3



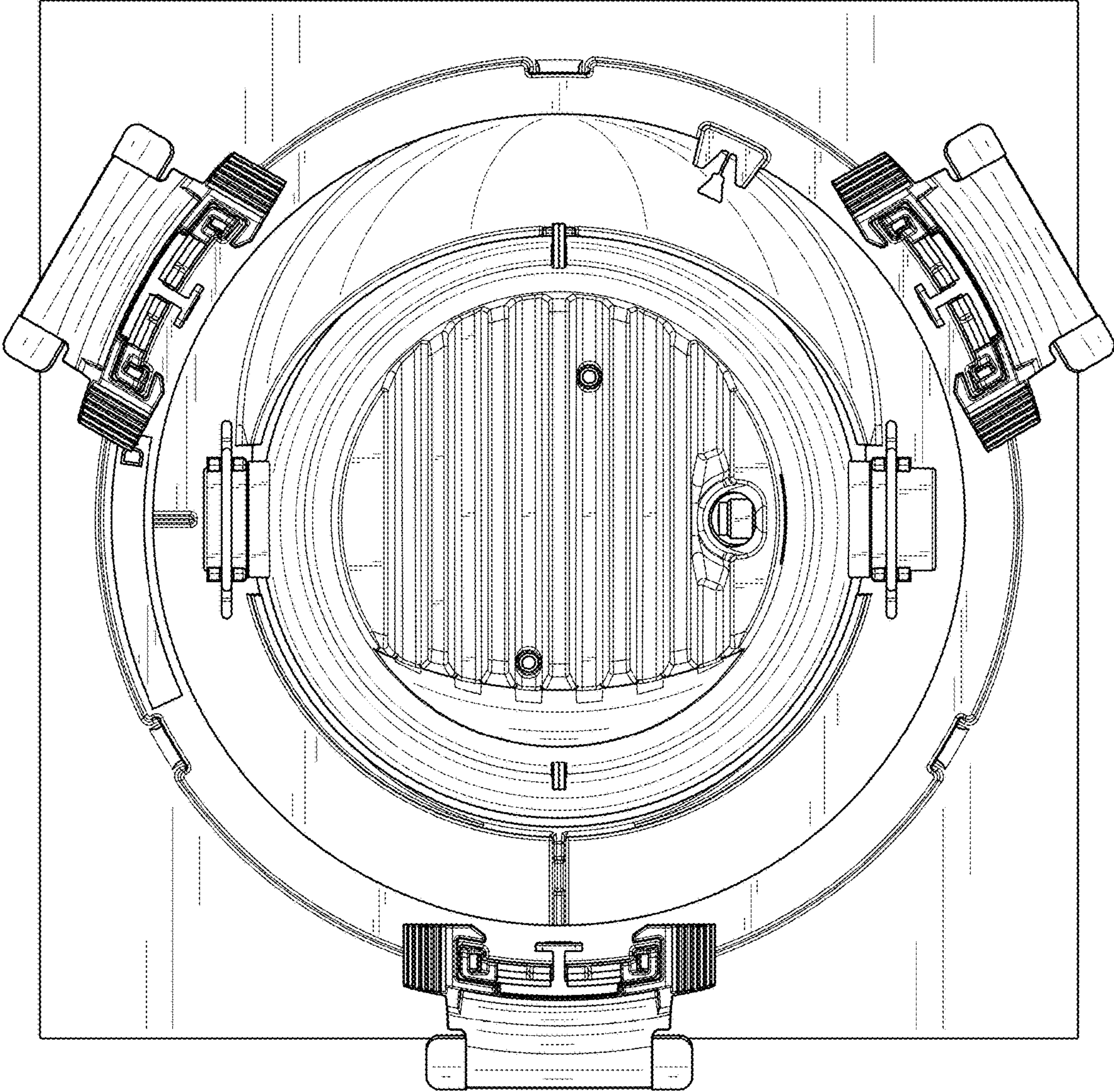


FIG. 4

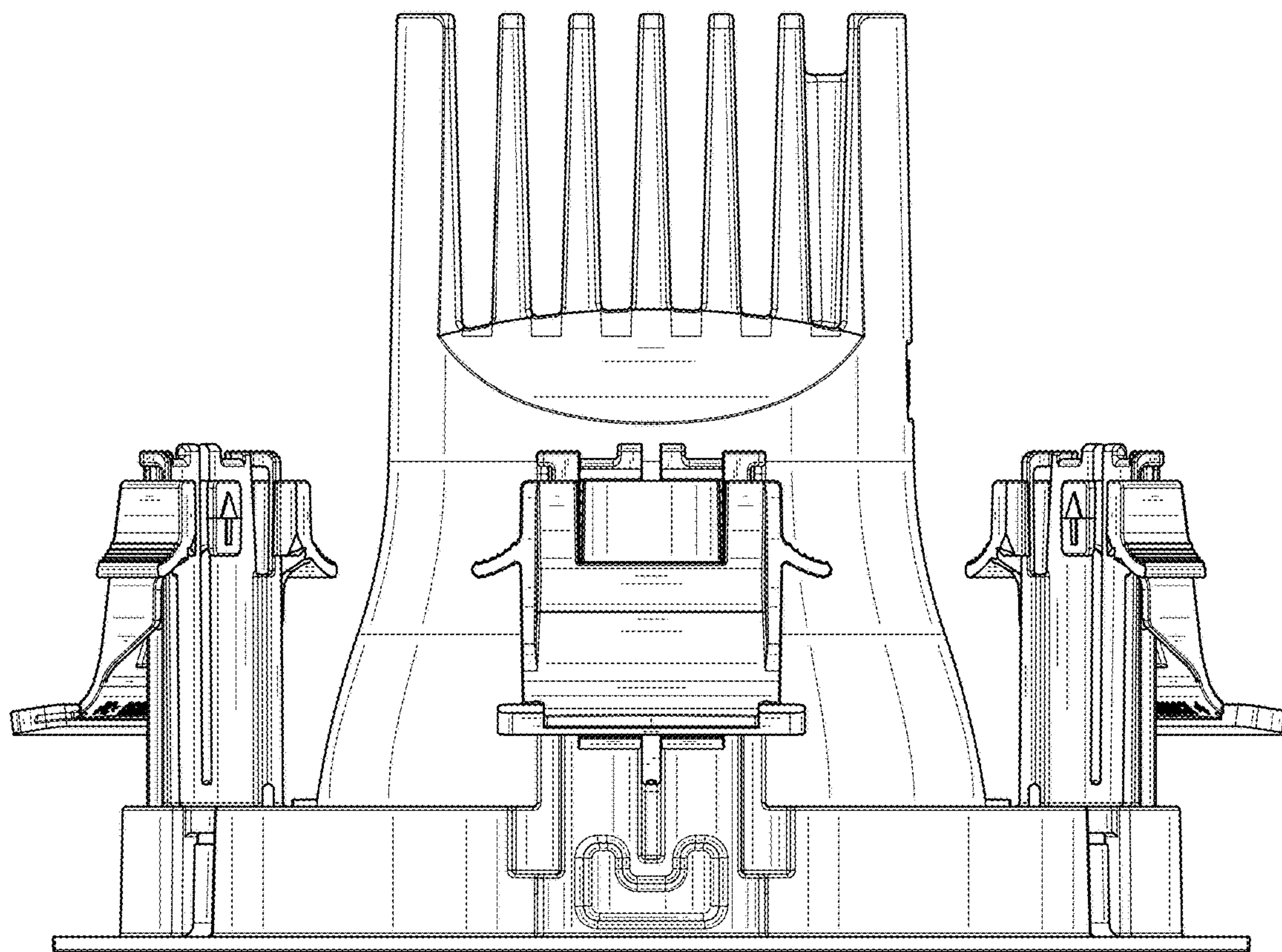


FIG. 5



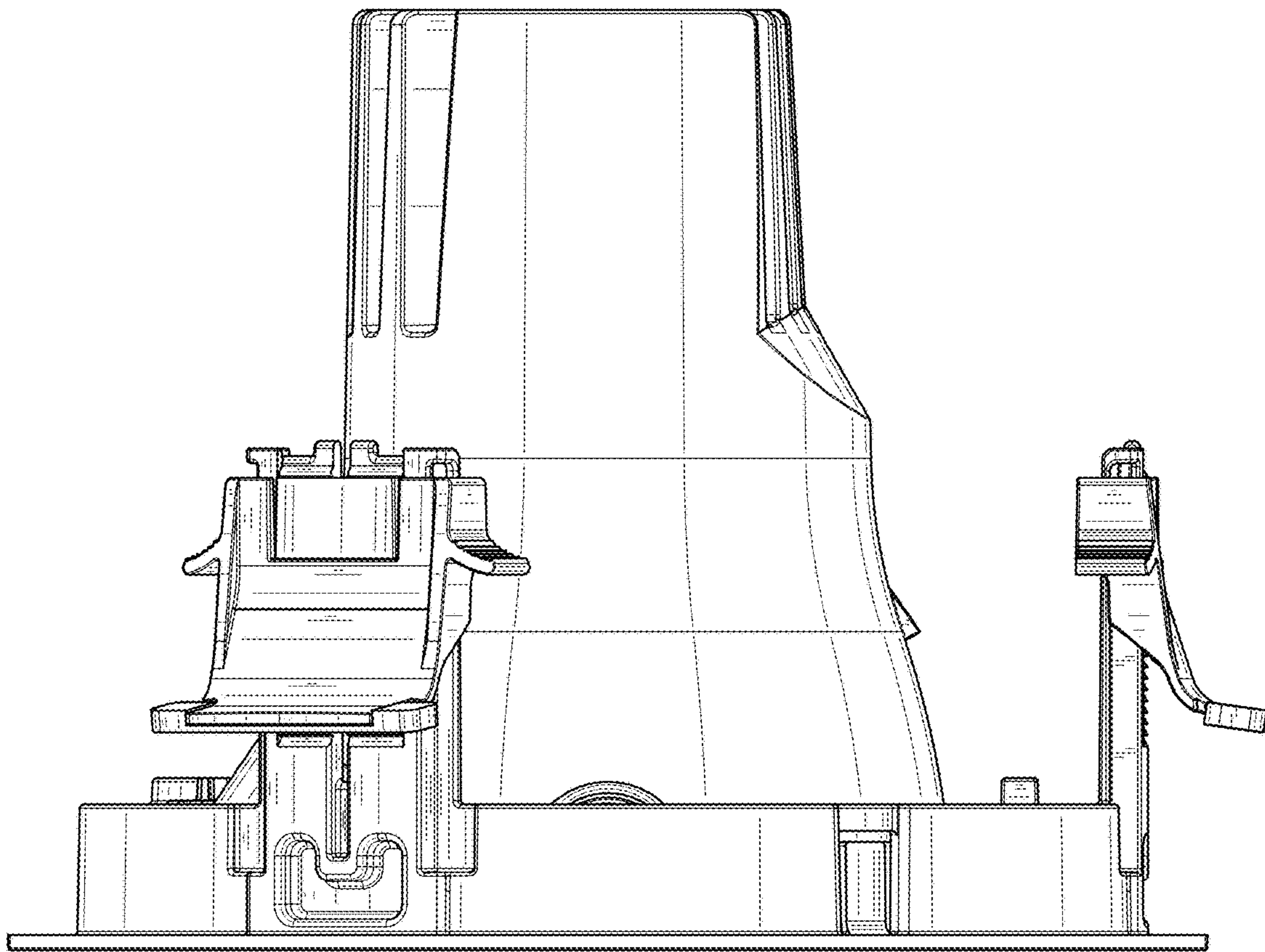


FIG. 6

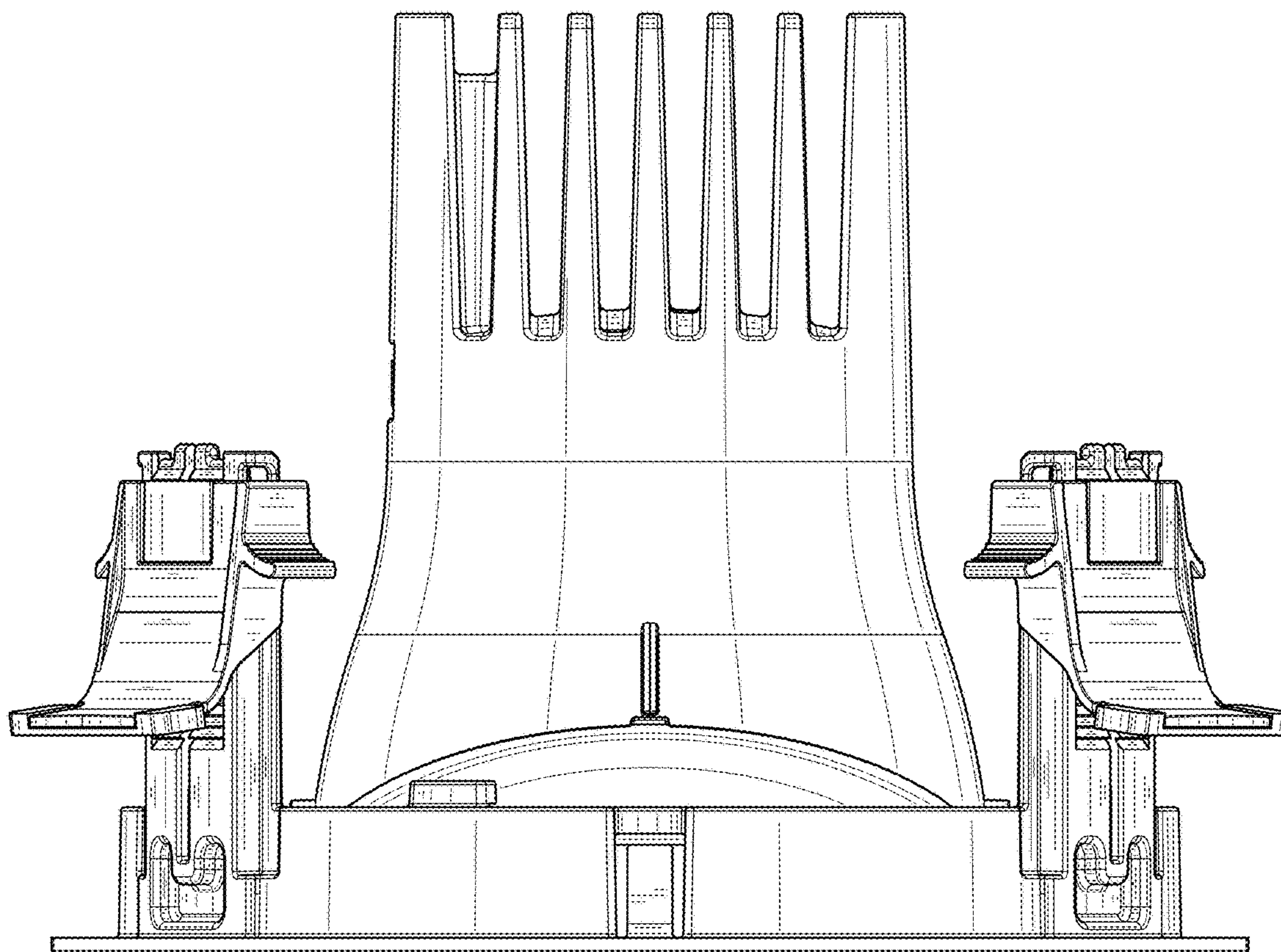


FIG. 7