



US00D831870S

(12) **United States Design Patent** (10) **Patent No.:** **US D831,870 S**  
**Gassauer** (45) **Date of Patent:** **\*\* Oct. 23, 2018**

- (54) **FLASHLIGHT**
- (71) Applicant: **LED Lenser Corp. Ltd.**, Yangjiang (CN)
- (72) Inventor: **Falko Gassauer**, Yangjiang (CN)
- (73) Assignee: **Led Lenser Corp. Ltd.**, Yangdong (CN)
- (\*\*) Term: **15 Years**
- (21) Appl. No.: **29/581,800**
- (22) Filed: **Oct. 21, 2016**
- (51) **LOC (11) Cl.** ..... **26-02**
- (52) **U.S. Cl.**  
USPC ..... **D26/49**
- (58) **Field of Classification Search**  
USPC ..... D26/37-51  
CPC ..... F21L 2003/00; F21L 4/00; F21L 4/005;  
F21L 4/02; F21L 4/025; F21L 4/027;  
F21L 4/04; F21L 4/08; F21L 2005/00;  
F21L 7/00; F21L 11/00; F21L 13/00;  
F21L 13/04; F21L 13/08; F21L 14/02;  
F21L 17/00; F21L 19/00  
See application file for complete search history.
- (56) **References Cited**  
U.S. PATENT DOCUMENTS  
D596,772 S \* 7/2009 Chang ..... D26/49  
D630,356 S \* 1/2011 Robinson ..... D26/49

- D671,249 S \* 11/2012 Sheikh ..... D26/38  
D706,475 S \* 6/2014 Lee ..... D26/49  
D706,476 S \* 6/2014 Lee ..... D26/49  
D710,526 S \* 8/2014 Lee ..... D26/49  
D745,987 S \* 12/2015 Nawaz ..... D22/117  
D746,499 S \* 12/2015 Schleder ..... D26/113  
D767,185 S \* 9/2016 Schleder ..... D26/113  
D767,805 S \* 9/2016 Son ..... D26/49  
D774,229 S \* 12/2016 Prieto ..... D26/49  
D783,118 S \* 4/2017 Fan ..... D22/117

\* cited by examiner

*Primary Examiner* — Susan Bennett Hattan  
*Assistant Examiner* — Carissa C Fitts  
(74) *Attorney, Agent, or Firm* — Alston & Bird LLP

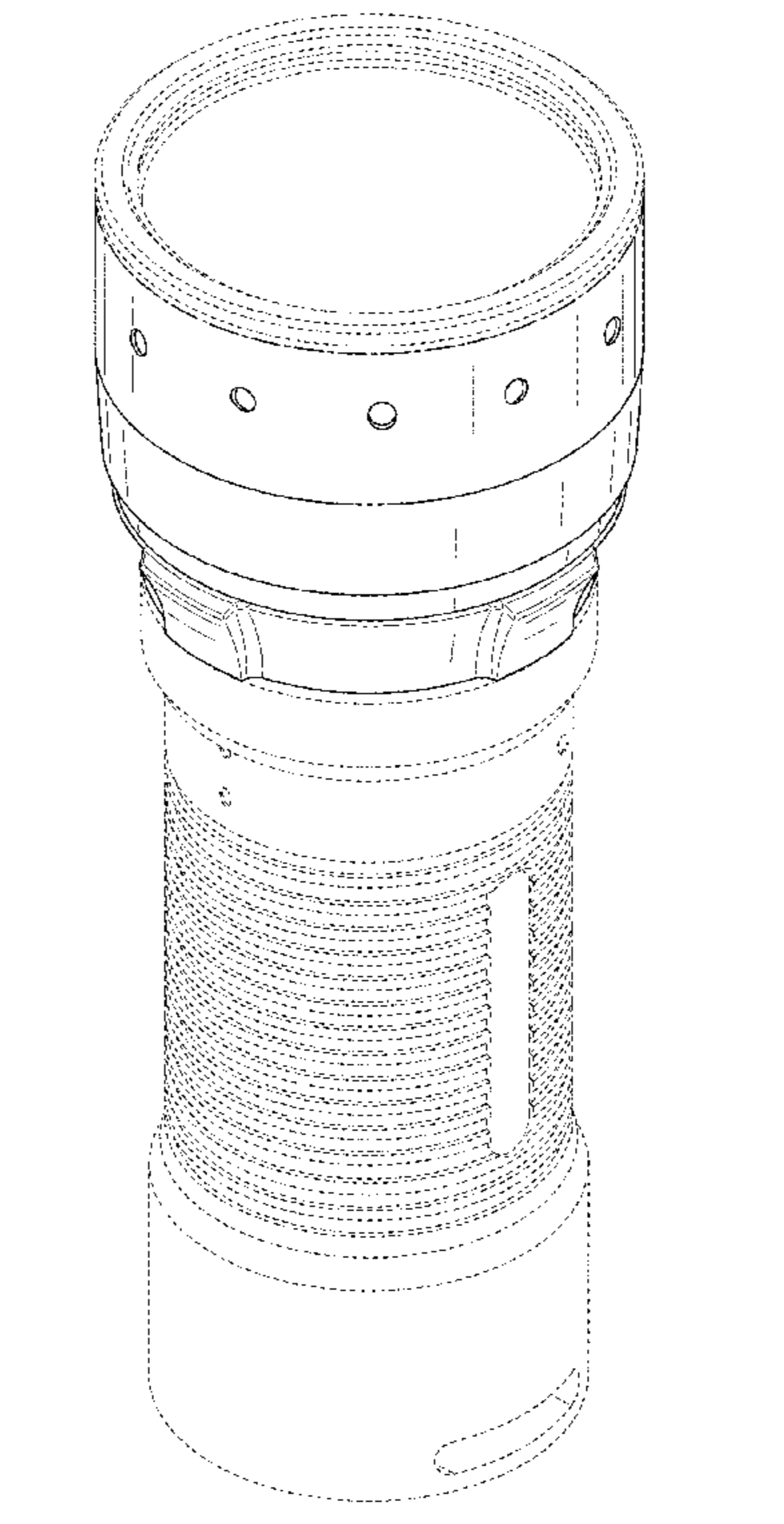
(57) **CLAIM**

The ornamental design for a flashlight, as shown and described.

**DESCRIPTION**

FIG. 1 is a perspective view of a flashlight according to our new design;  
FIG. 2 is a front elevation view thereof;  
FIG. 3 is back elevation view thereof;  
FIG. 4 is a right side elevation view thereof;  
FIG. 5 is a left side elevation view thereof;  
FIG. 6 is a top side elevation view thereof; and,  
FIG. 7 is a bottom plan view thereof.  
The dash-dash broken lines show unclaimed portions of the flashlight and form no part of the claimed design, while the dash-dot-dash broken lines represent a boundary of the claimed surface.

**1 Claim, 6 Drawing Sheets**



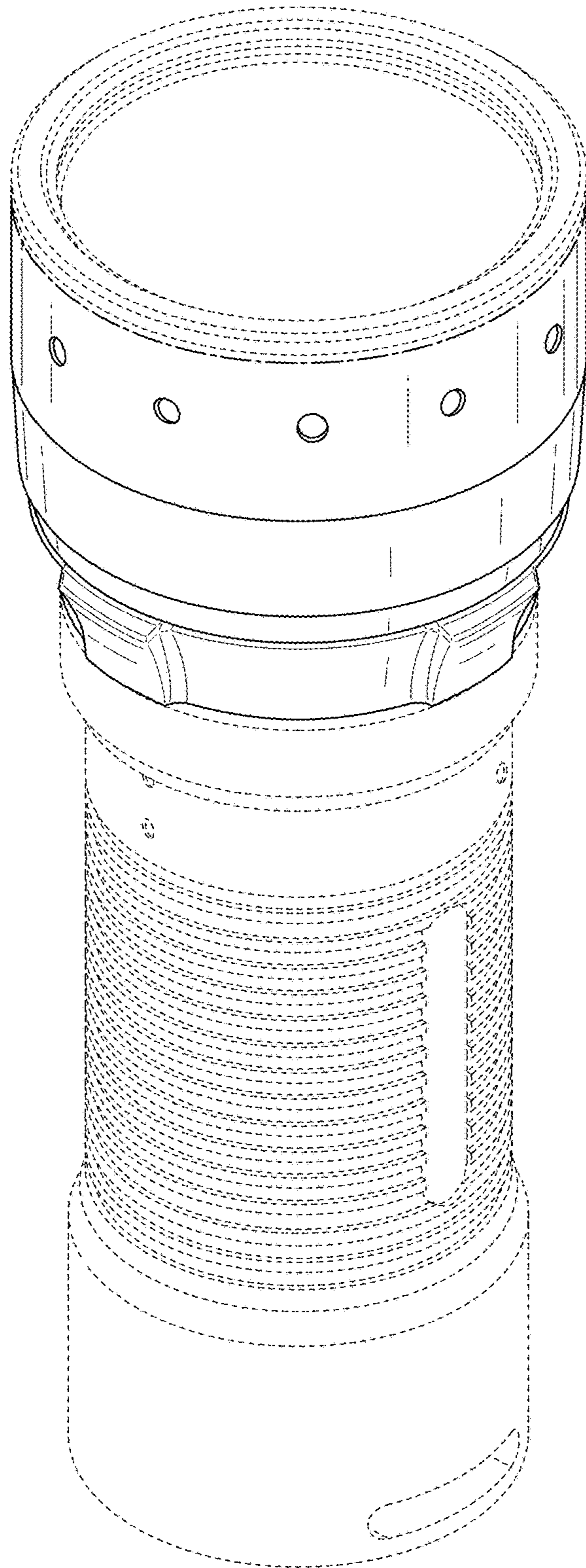


FIG. 1

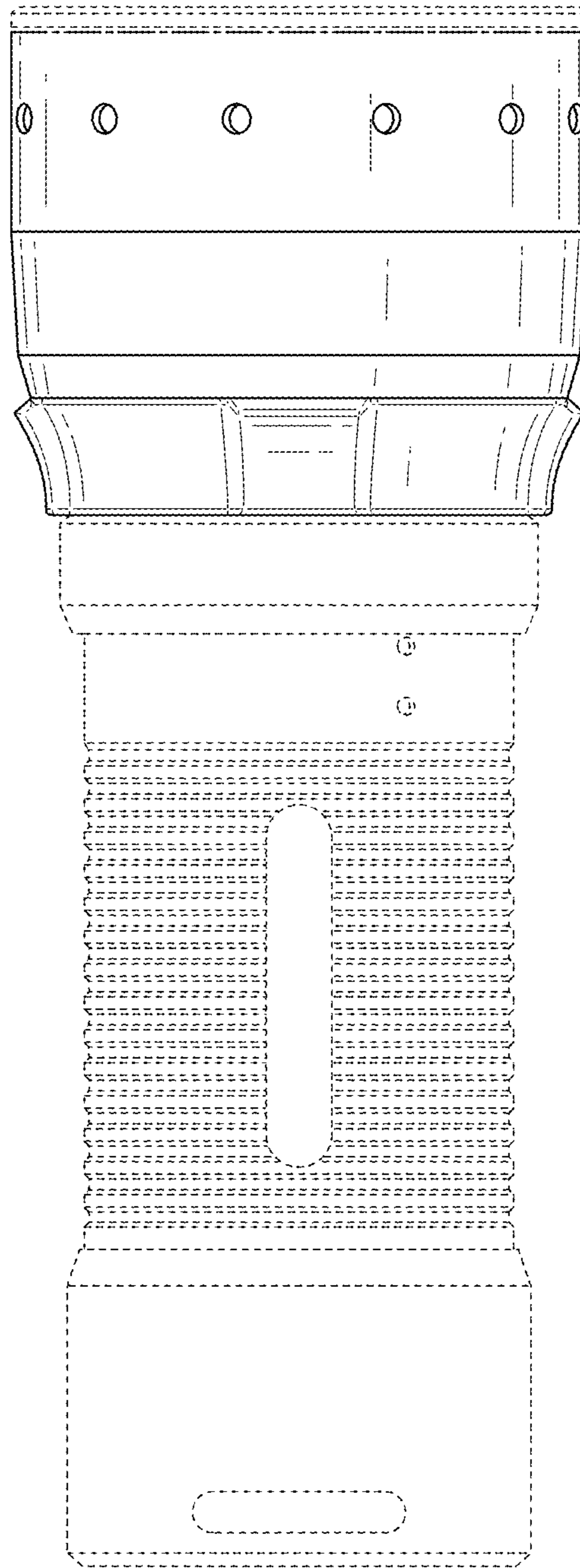


FIG. 2

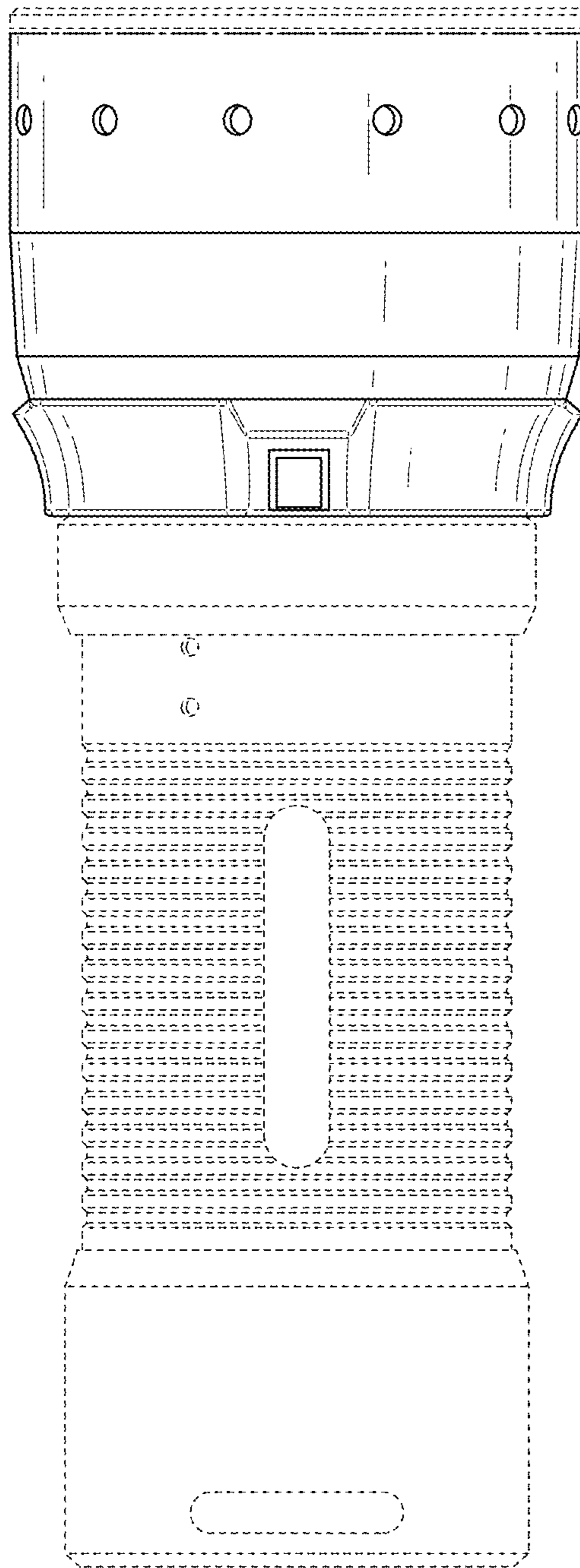


FIG. 3



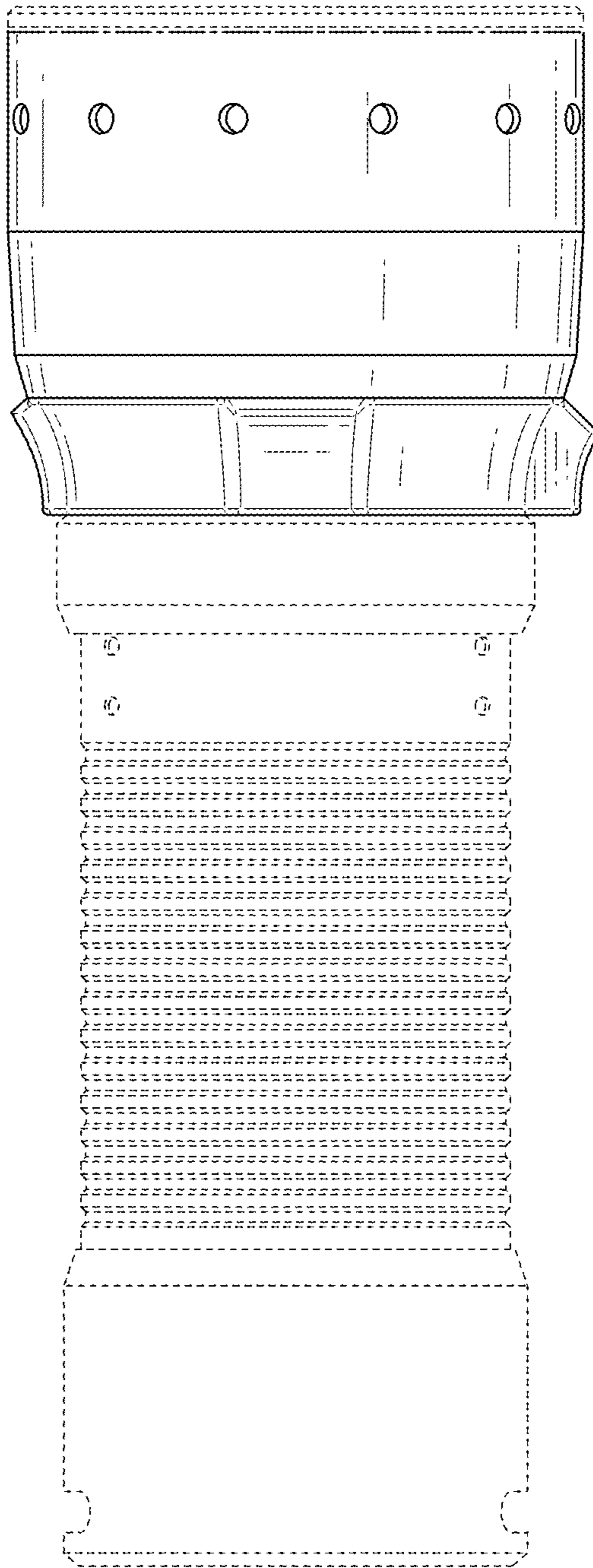


FIG. 4

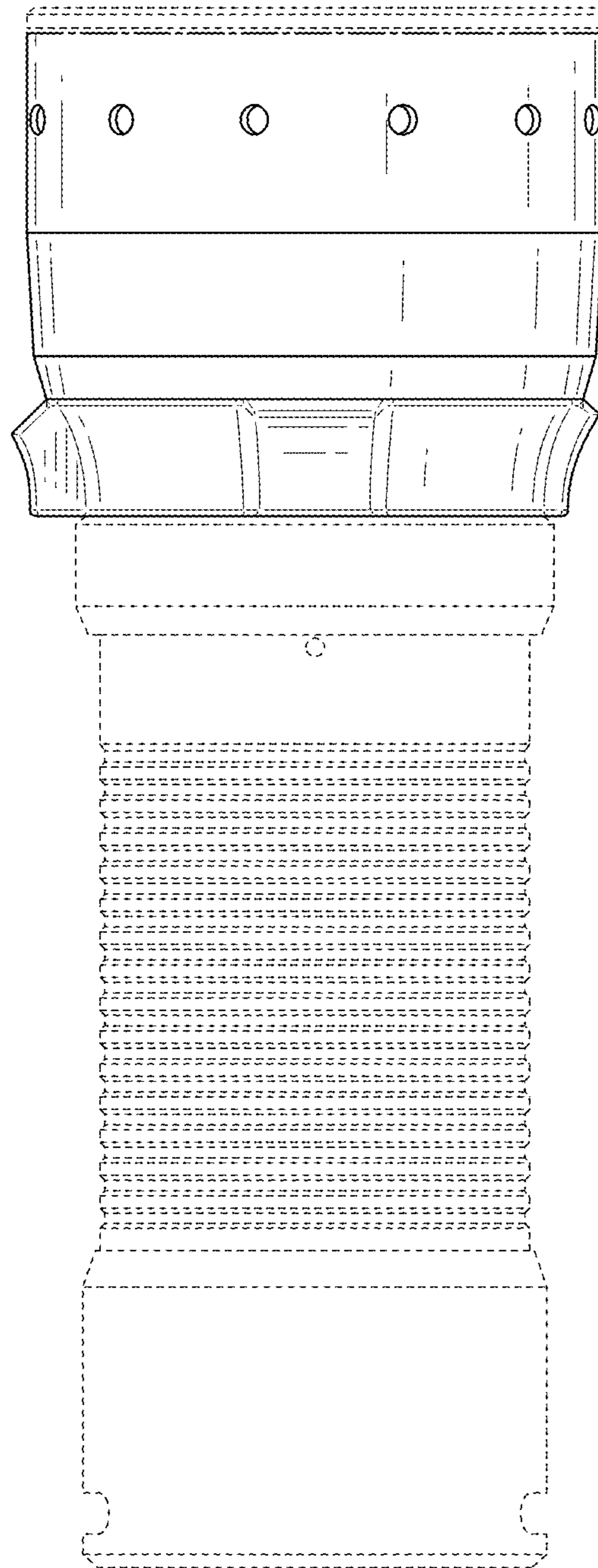


FIG. 5

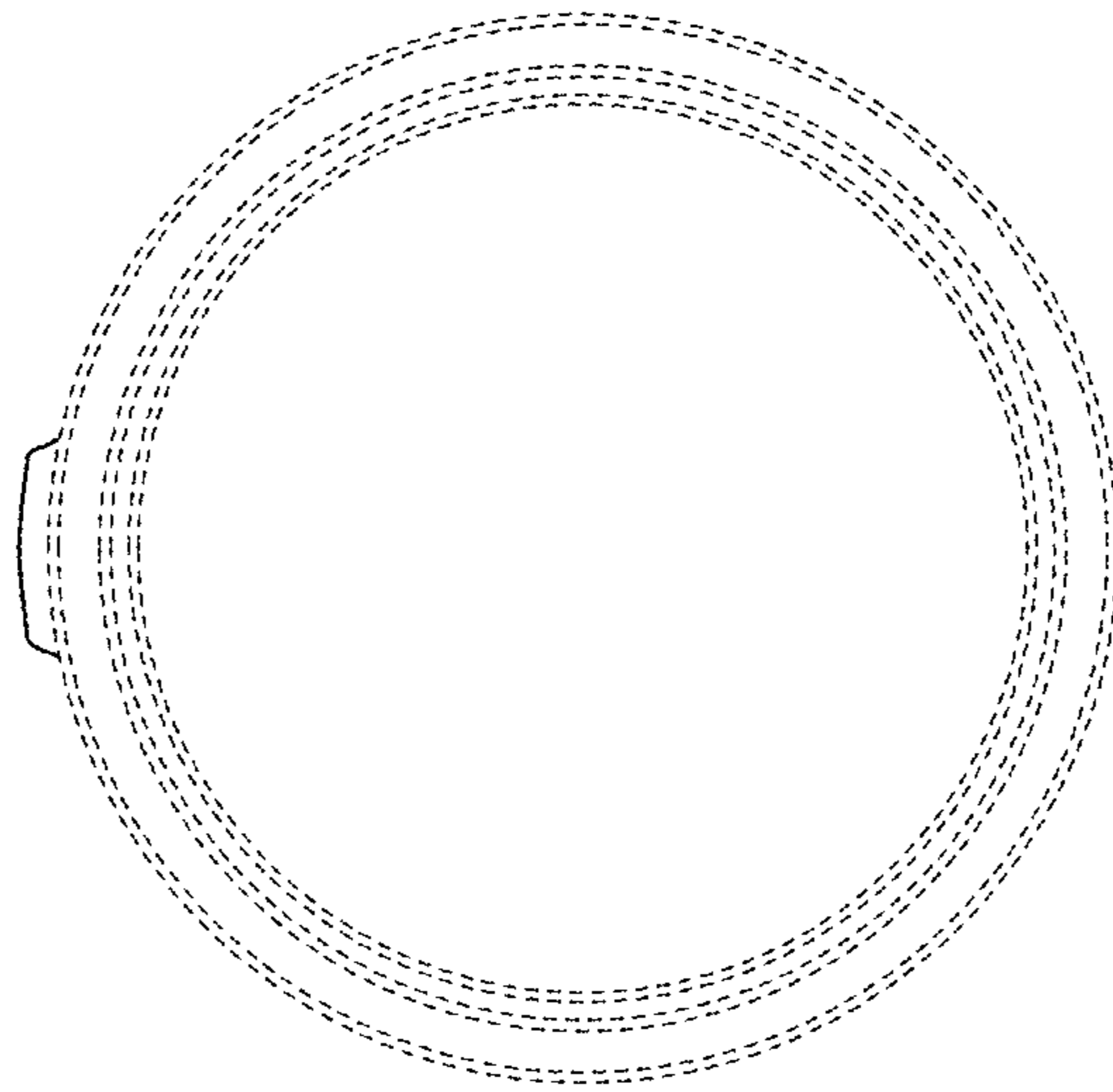


FIG. 6

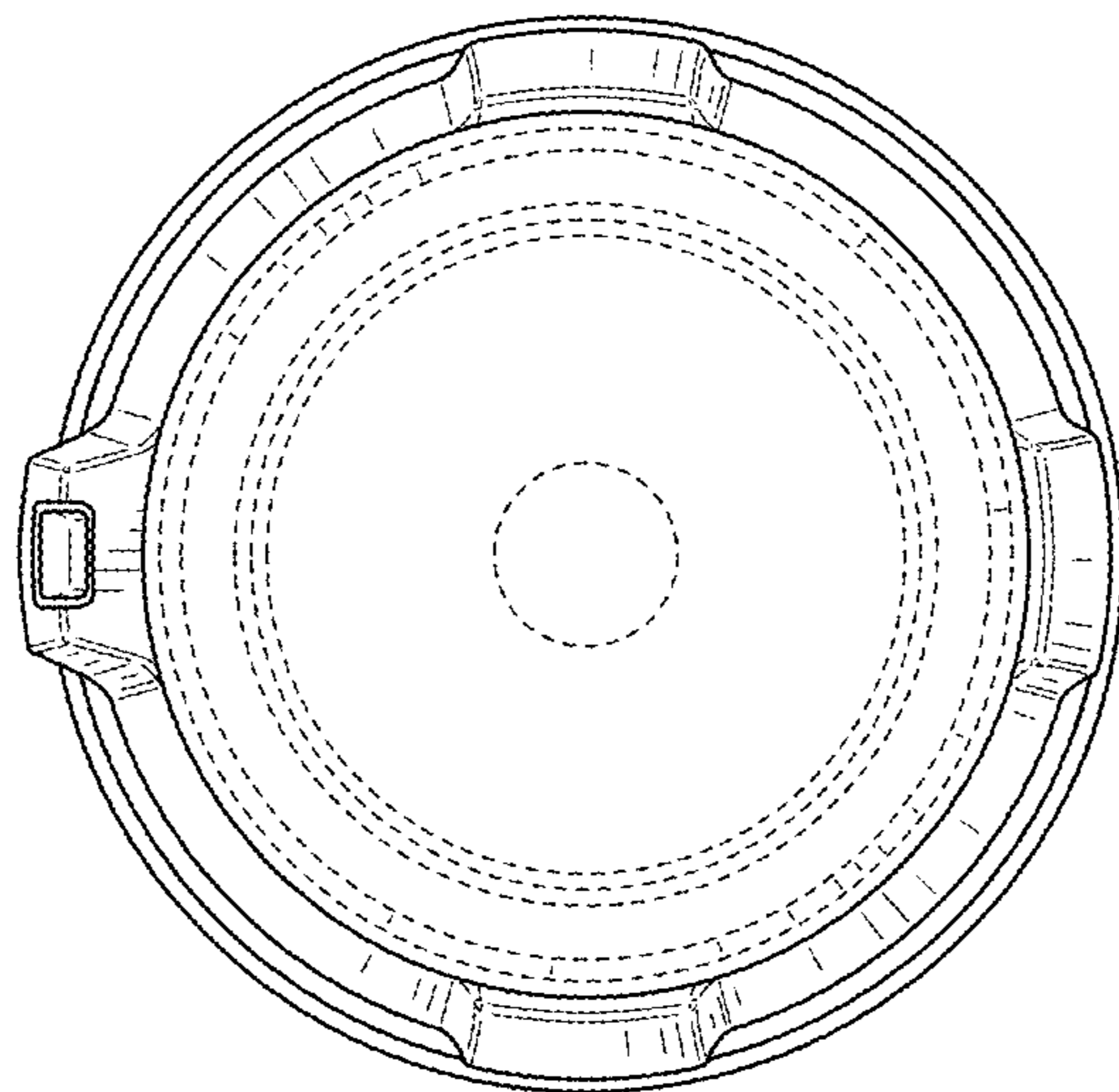


FIG. 7