



US00D831869S

(12) **United States Design Patent**
Ford

(10) **Patent No.:** **US D831,869 S**
(45) **Date of Patent:** **** Oct. 23, 2018**

- (54) **EMERGENCY LIGHT**
- (71) Applicant: **CANADA INC.**, Beaconsfield (CA)
- (72) Inventor: **Timothy D.F. Ford**, Beaconsfield (CA)
- (73) Assignee: **9609385 CANADA INC.**, Beaconsfield (CA)
- (**) Term: **15 Years**
- (21) Appl. No.: **29/546,167**
- (22) Filed: **Nov. 19, 2015**
- (51) **LOC (11) Cl.** **26-02**
- (52) **U.S. Cl.**
USPC **D26/37**
- (58) **Field of Classification Search**
USPC D26/37-51
CPC F21L 2003/00; F21L 4/00; F21L 4/005;
F21L 4/02; F21L 4/025; F21L 4/027;
F21L 4/04; F21L 4/08; F21L 2005/00;
F21L 7/00; F21L 11/00; F21L 13/00;
F21L 13/04; F21L 13/08; F21L 14/02;
F21L 17/00
See application file for complete search history.

(56) **References Cited**

U.S. PATENT DOCUMENTS

- D392,404 S * 3/1998 Brown D26/62
- D489,839 S * 5/2004 Opolka D26/43
- D544,618 S * 6/2007 Coushaine D26/37
- D565,218 S * 3/2008 Chien D26/43
- D574,095 S * 7/2008 Hill D26/26
- 7,429,123 B2 * 9/2008 Moore A01K 27/006
362/551
- D588,291 S * 3/2009 VanderWoude D26/37

- D588,735 S * 3/2009 Woodard D26/61
- D607,129 S * 12/2009 Levine D26/43
- D607,596 S * 1/2010 Copeland D26/61
- D645,191 S * 9/2011 Krause D26/37
- 8,403,515 B2 * 3/2013 Eichelberger F21L 4/00
362/106
- D687,175 S * 7/2013 Levine D26/43
- D699,375 S * 2/2014 Ueda D26/28
- D699,875 S * 2/2014 Christianson D26/39
- D704,367 S * 5/2014 Kingston D26/43
- D704,874 S * 5/2014 Kelleghan D26/62
- D754,898 S * 4/2016 Green D26/43
- D773,703 S * 12/2016 Krantz D26/40
- D778,473 S * 2/2017 Cooper D26/37
- D782,716 S * 3/2017 McLennan D26/37
- D804,070 S * 11/2017 Mishan D26/43

* cited by examiner

Primary Examiner — Lakiya G Rogers

Assistant Examiner — Carissa C Fitts

(74) *Attorney, Agent, or Firm* — Hugh Mansfield

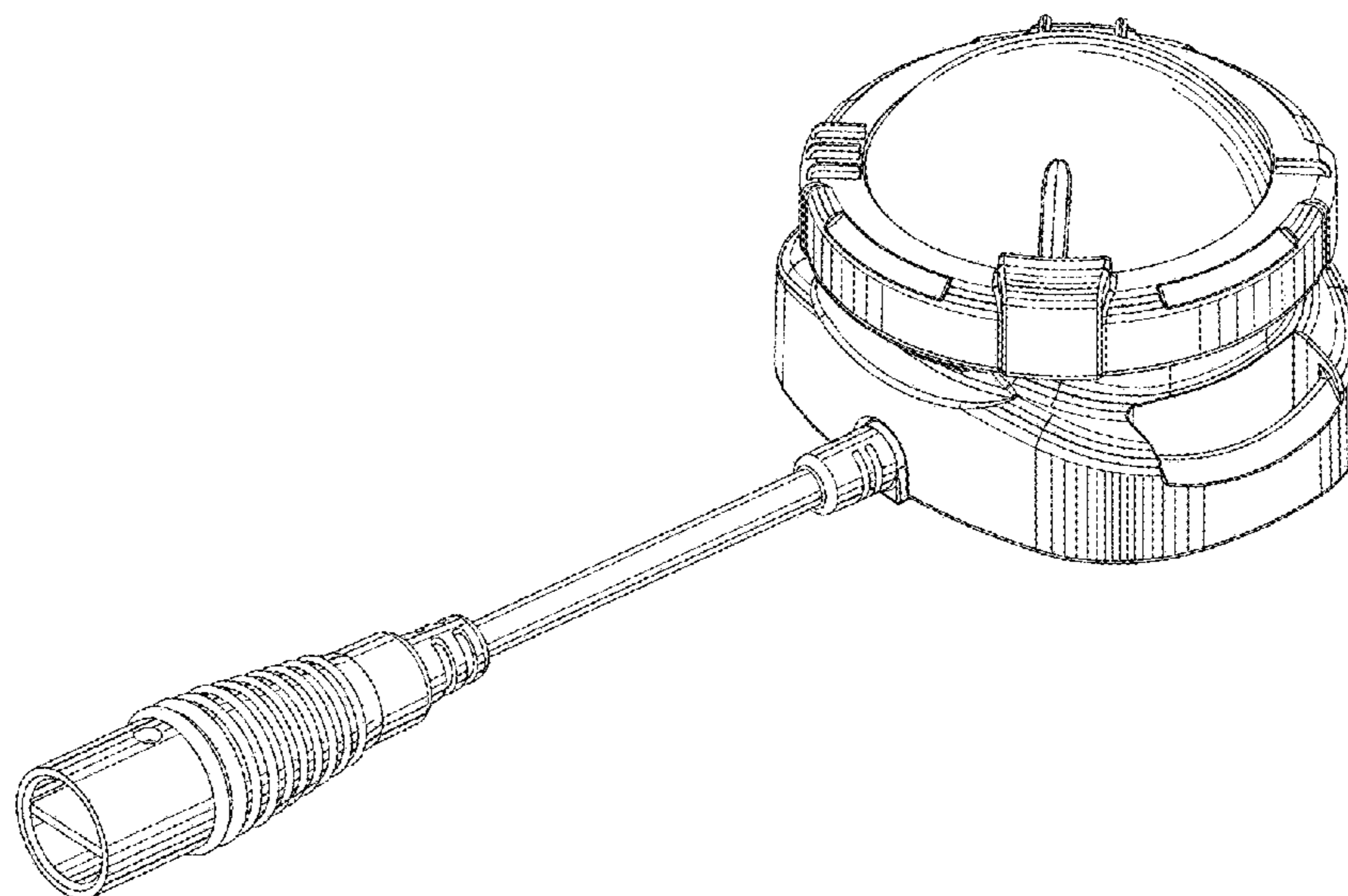
(57) **CLAIM**

The ornamental design for an emergency light, as shown and described.

DESCRIPTION

FIG. 1 is a perspective view of the emergency light; FIG. 2 is a right side view of the emergency light of FIG. 1; FIG. 3 is a left side view of the emergency light of FIG. 1; FIG. 4 is a front view of the emergency light of FIG. 1; FIG. 5 is a rear view of the emergency light of FIG. 1; FIG. 6 is a top plan view of the emergency light of FIG. 1; and, FIG. 7 is a bottom view of the emergency light of FIG. 1. The broken lines do not form part of the claimed design.

1 Claim, 6 Drawing Sheets



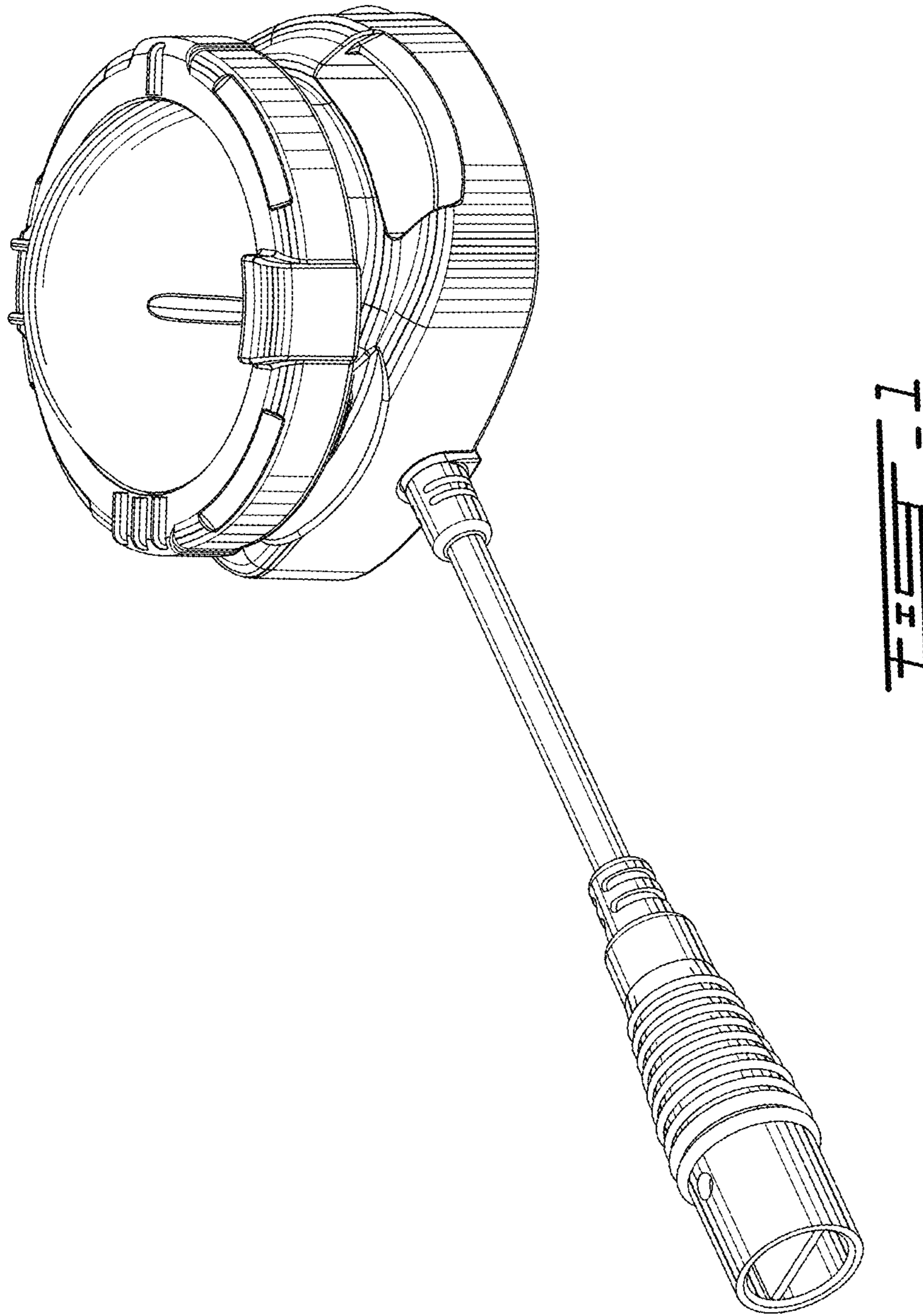


FIG. 1

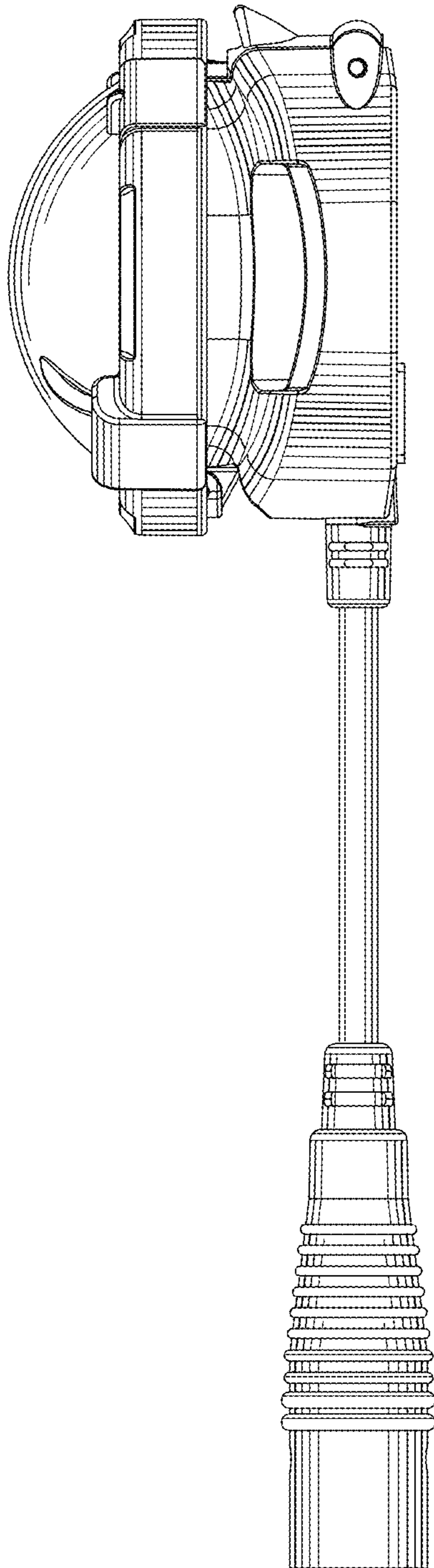


FIG. 2

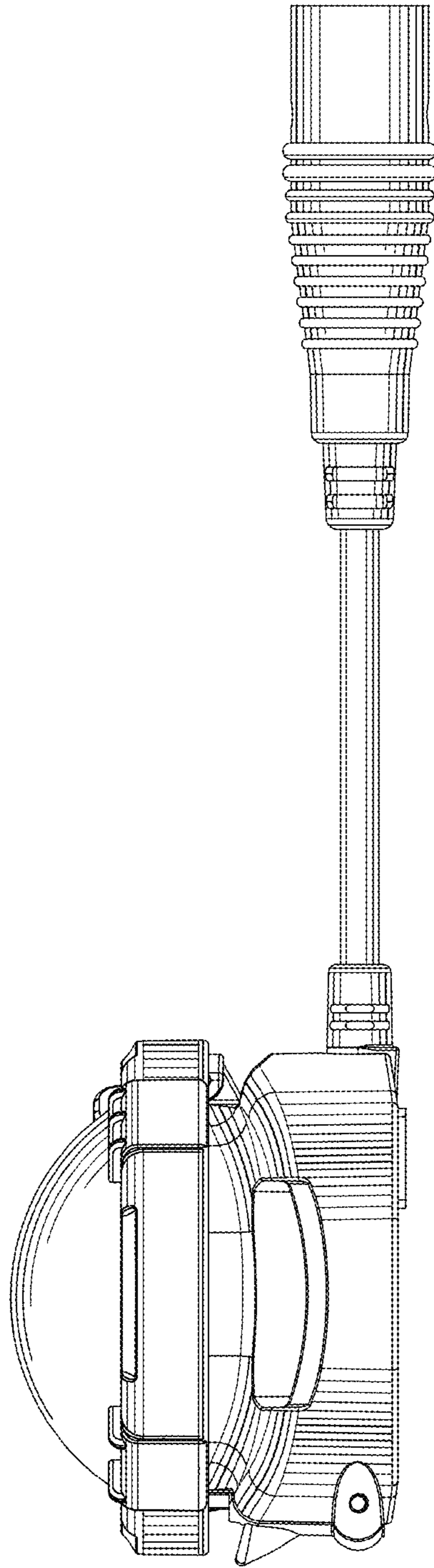


FIG. 3

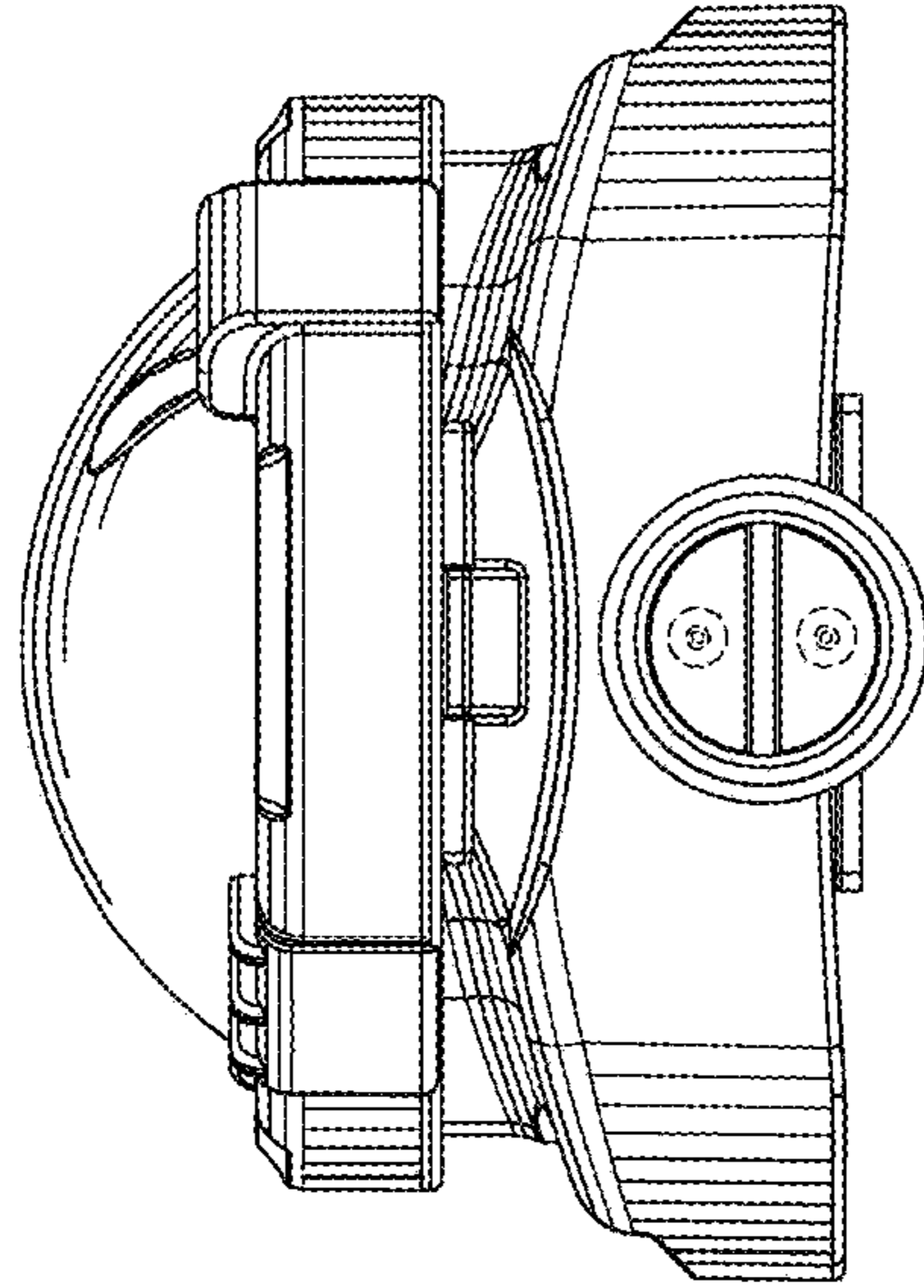


FIG. 5

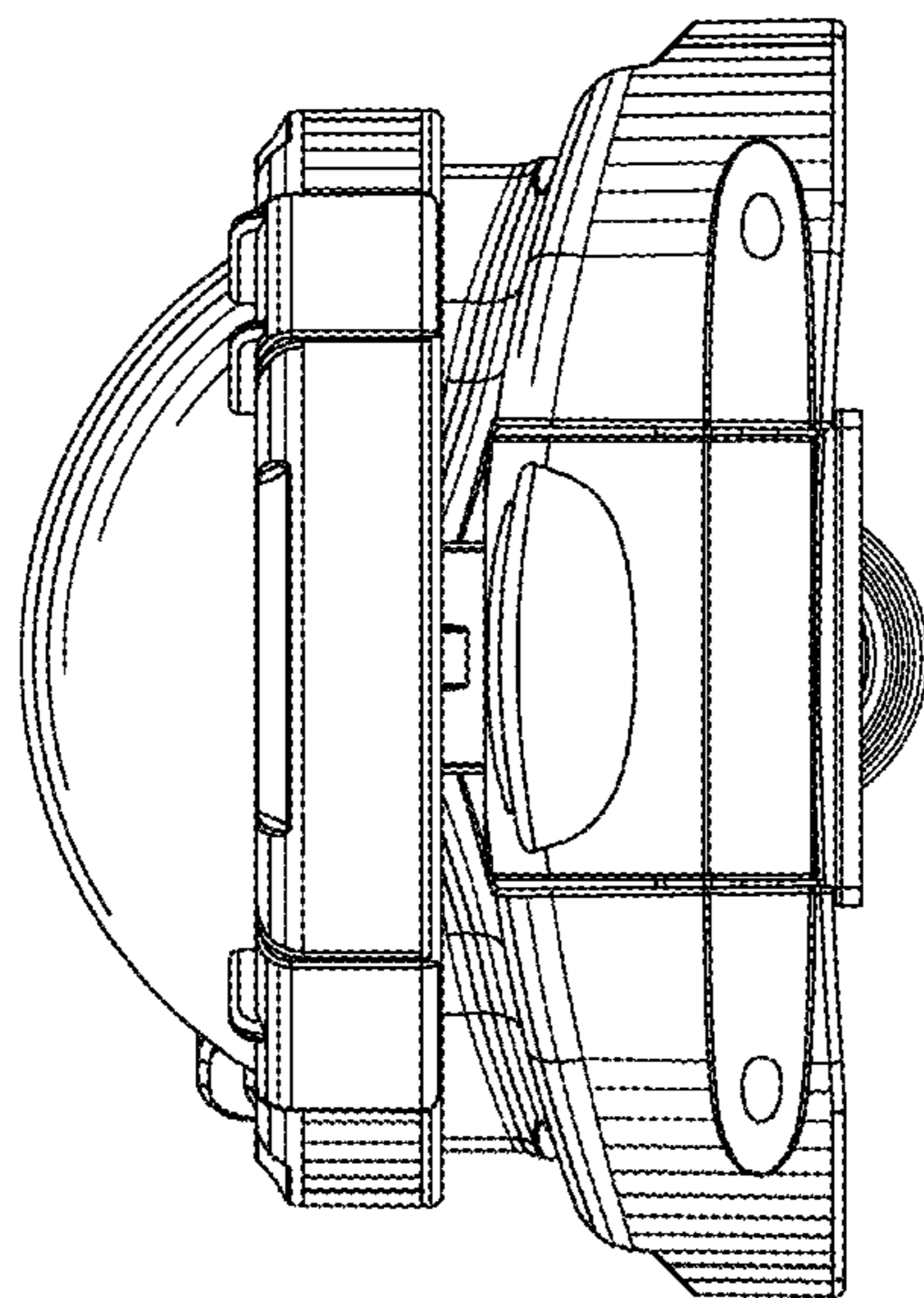


FIG. 4

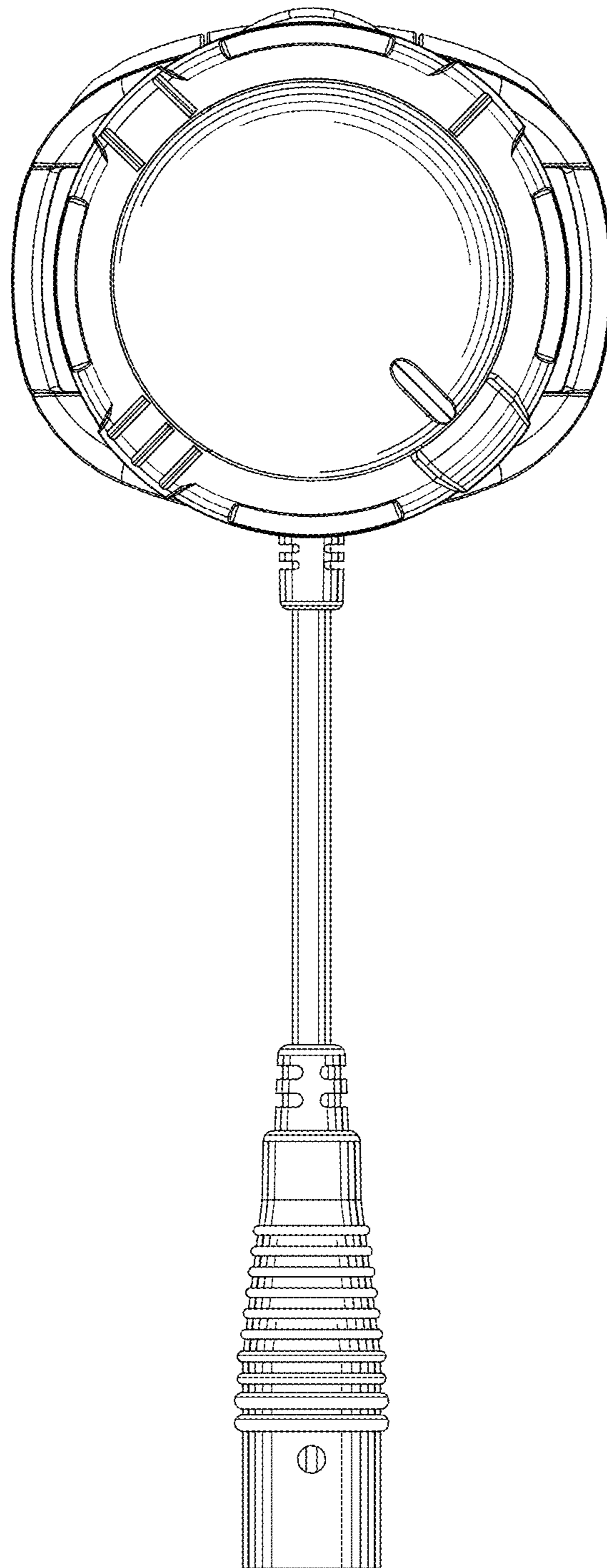


FIG. 5

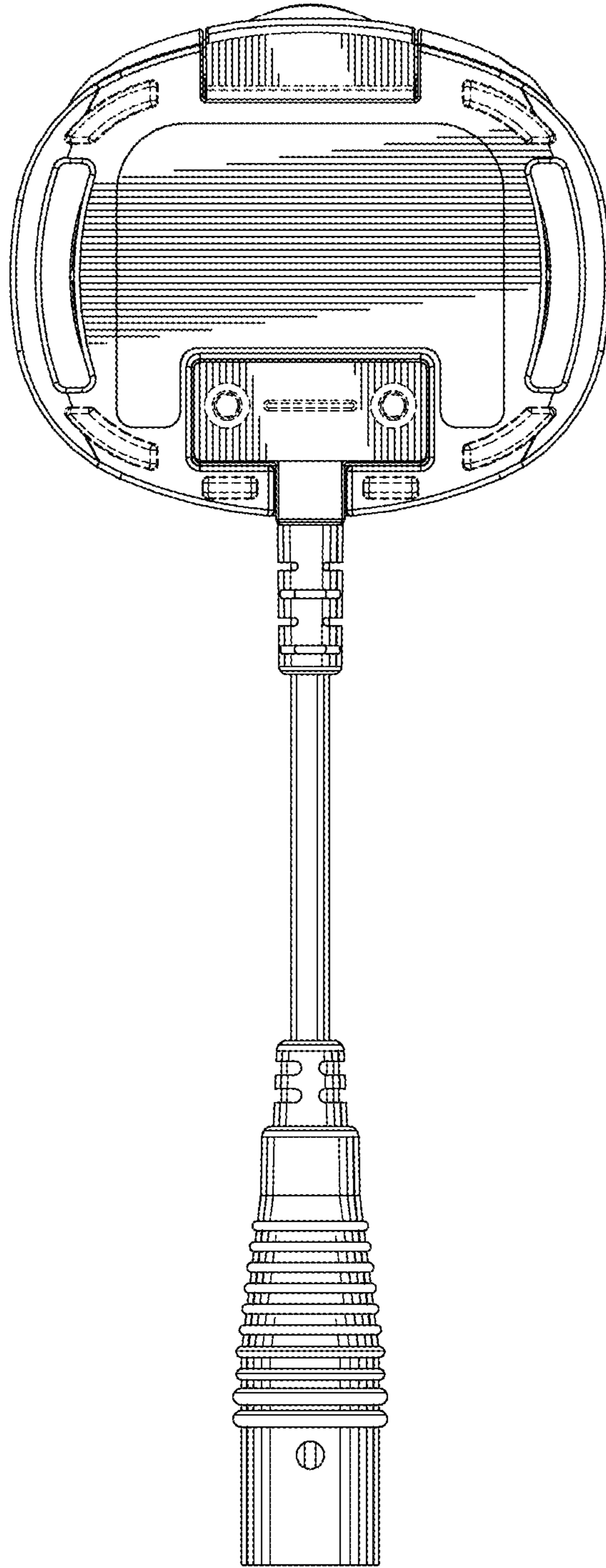


FIG. 7