



US00D831868S

(12) **United States Design Patent** (10) **Patent No.:** **US D831,868 S**  
**Sherry et al.** (45) **Date of Patent:** **\*\* Oct. 23, 2018**

(54) **COMPACT EXTERNAL LIGHT**

FOREIGN PATENT DOCUMENTS

(71) Applicant: **Lume Cube, Inc.**, San Diego, CA (US)

GB 2489034 A 9/2012  
KR 20090001806 U 2/2009  
WO WO-2017066280 A1 4/2017

(72) Inventors: **Mornee Patrick Sherry**, San Diego, CA (US); **Matthew Milton Cummins**, San Diego, CA (US)

OTHER PUBLICATIONS

(73) Assignee: **LUME CUBE, INC.**, San Diego, CA (US)

Co-pending U.S. Appl. No. 29/580,497, filed Oct. 10, 2016.  
(Continued)

(\*\*) Term: **15 Years**

*Primary Examiner* — Karen E Kearney  
*Assistant Examiner* — Carissa C Fitts

(21) Appl. No.: **29/539,848**

(74) *Attorney, Agent, or Firm* — Wilson, Sonsini, Goodrich & Rosati

(22) Filed: **Sep. 17, 2015**

(51) **LOC (11) Cl.** ..... **26-02**

(52) **U.S. Cl.**  
USPC ..... **D26/37**

(57) **CLAIM**

(58) **Field of Classification Search**  
USPC ..... D26/37-51; D16/200, 218  
CPC ..... F21L 2003/00; F21L 4/00; F21L 4/005;  
F21L 4/02; F21L 4/025; F21L 4/027;  
F21L 4/04; F21L 4/08; F21L 2005/00;  
F21L 7/00; F21L 11/00; F21L 13/00;  
F21L 13/04; F21L 13/08; F21L 14/02;  
F21L 17/00; F21L 19/00

We claim the ornamental design for a compact external light, as shown and described.

See application file for complete search history.

**DESCRIPTION**

(56) **References Cited**

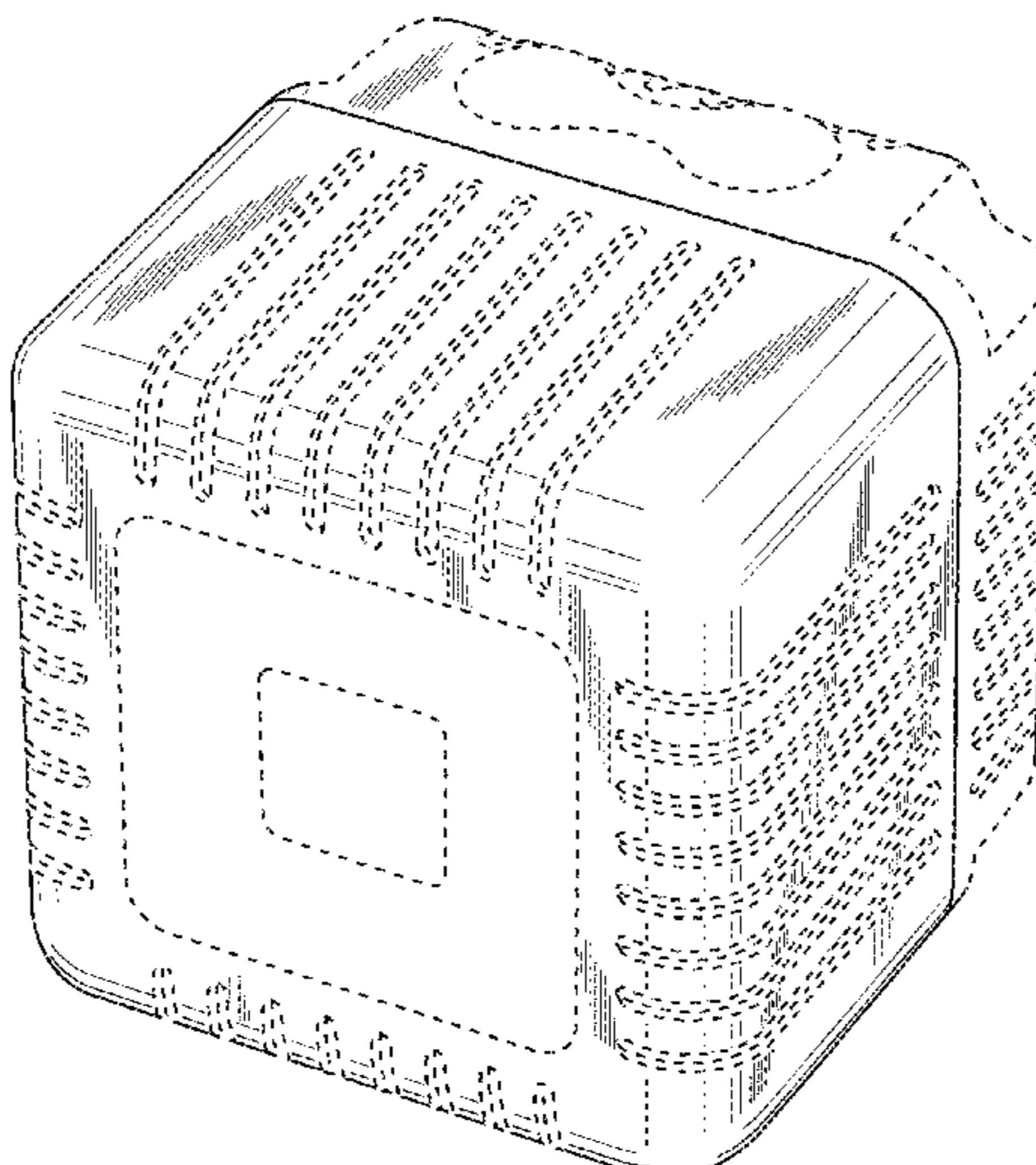
U.S. PATENT DOCUMENTS

D441,386 S \* 5/2001 Yamazaki ..... D16/203  
D488,140 S \* 4/2004 Hanselman ..... D14/129  
D595,003 S \* 6/2009 Moehrke ..... D26/51  
7,866,850 B2 1/2011 Alexander et al.  
8,042,969 B2 10/2011 Paik et al.  
D648,471 S \* 11/2011 Wauters ..... D26/63  
D670,843 S \* 11/2012 von Waldthausen ..... D26/37  
D692,939 S \* 11/2013 Huang ..... D16/218  
D699,378 S \* 2/2014 DiLuciano ..... D26/37  
D727,192 S \* 4/2015 Kitchens ..... D10/107  
D727,387 S \* 4/2015 Hasegawa ..... D16/203

FIG. 1 is an upper right front perspective view of a compact external light, showing our new design;  
FIG. 2 is a second perspective view of the compact external light;  
FIG. 3 is a front elevational view of the compact external light;  
FIG. 4 is a right side elevational view of the compact external light, the left side elevational view is a mirror image thereof;  
FIG. 5 is a rear elevational view of the compact external light;  
FIG. 6 is a top plan view of the compact external light; and,  
FIG. 7 is a bottom plan view of the compact external light. The broken lines in the drawings represent portions of the compact external light that form no part of the claimed design.

(Continued)

**1 Claim, 5 Drawing Sheets**





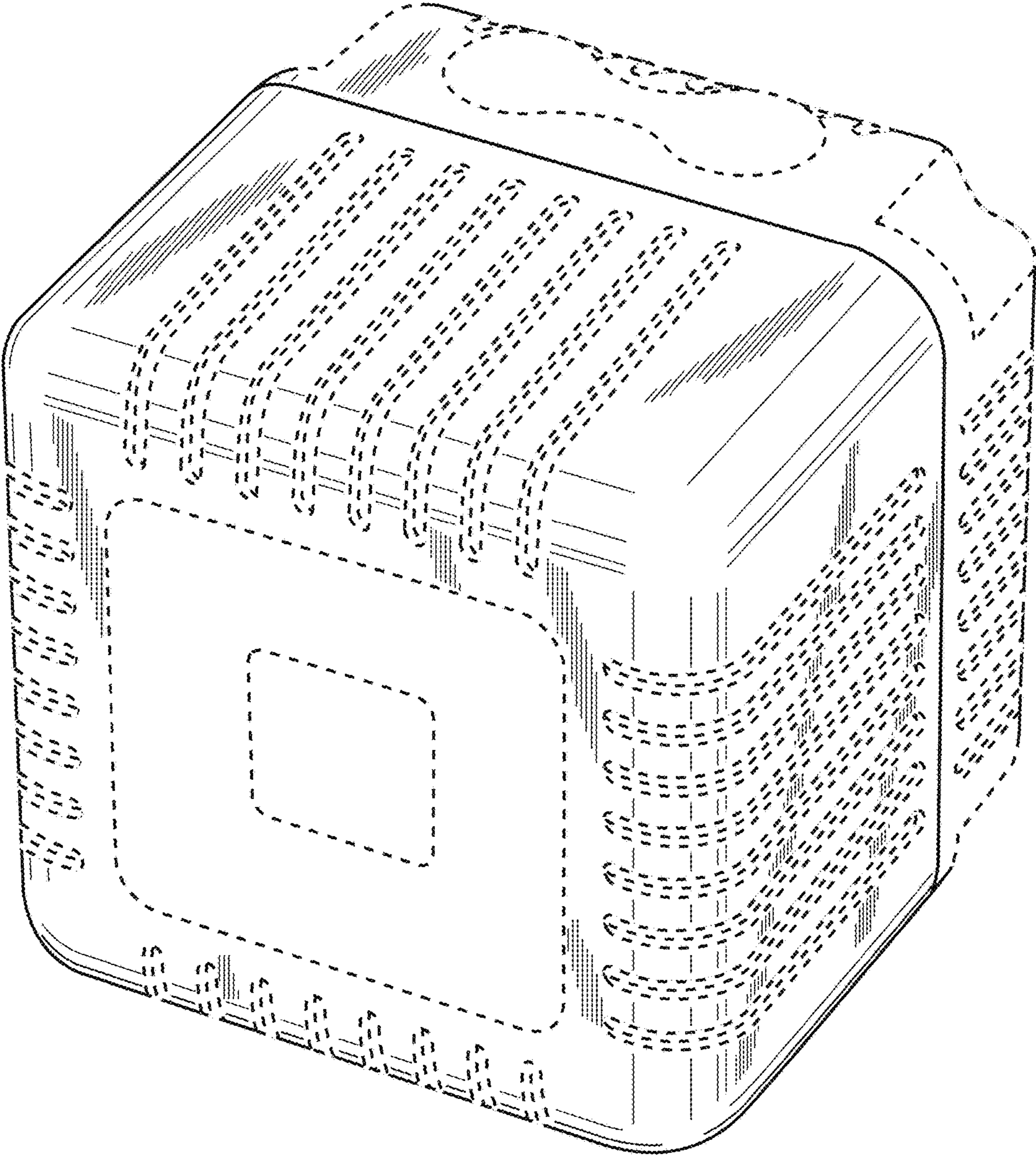
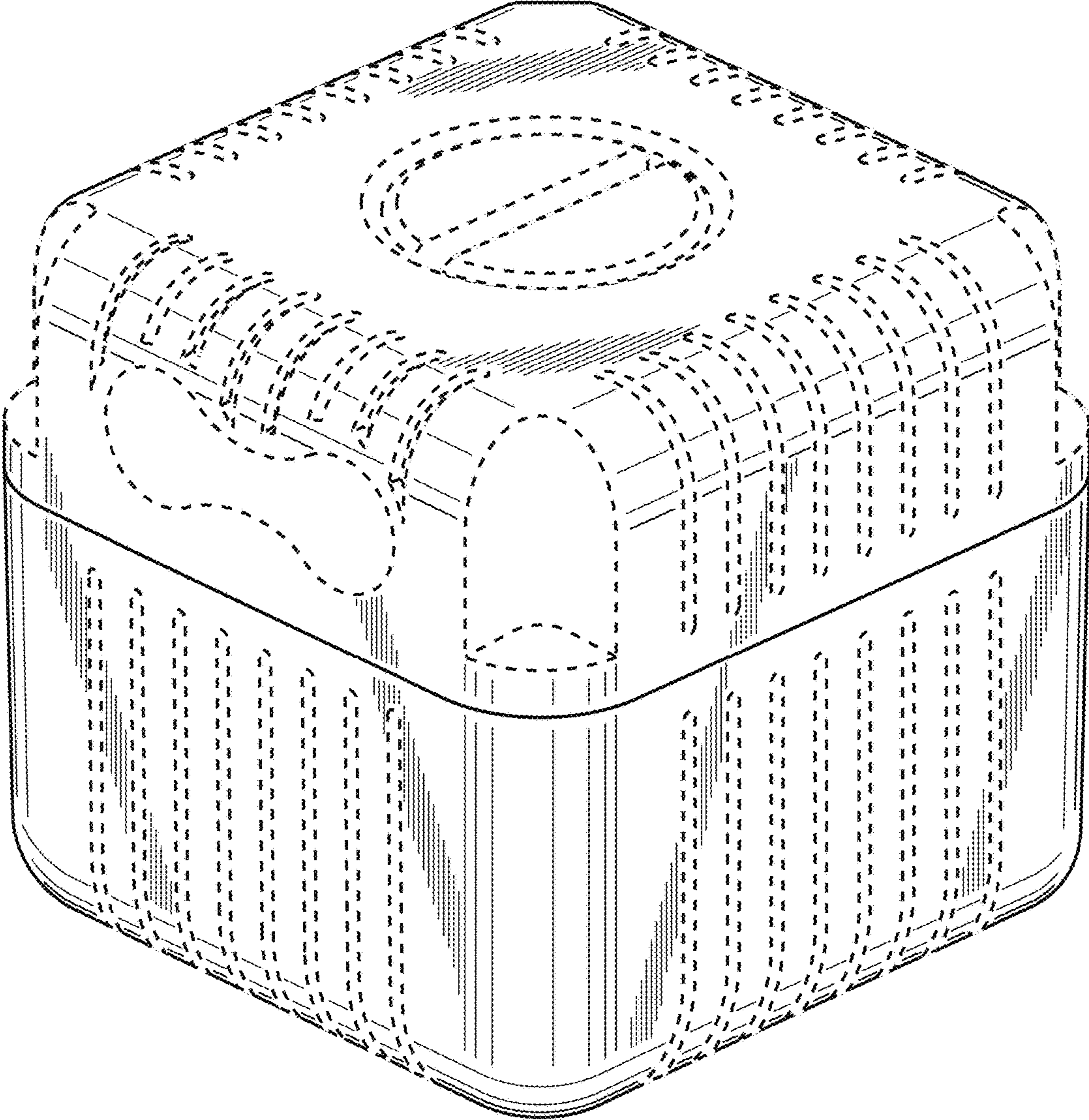


FIG. 1



**FIG. 2**

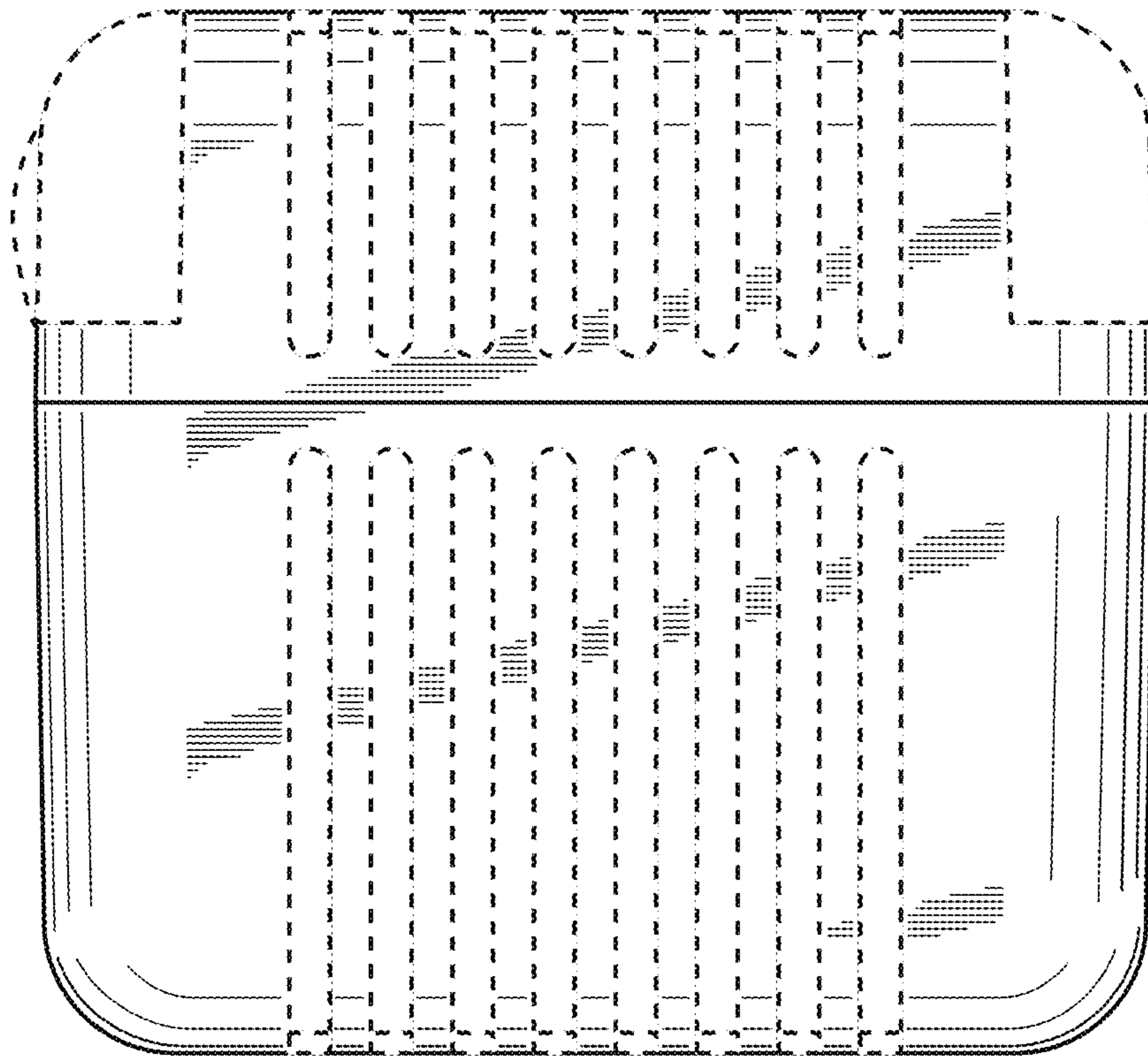


FIG. 3

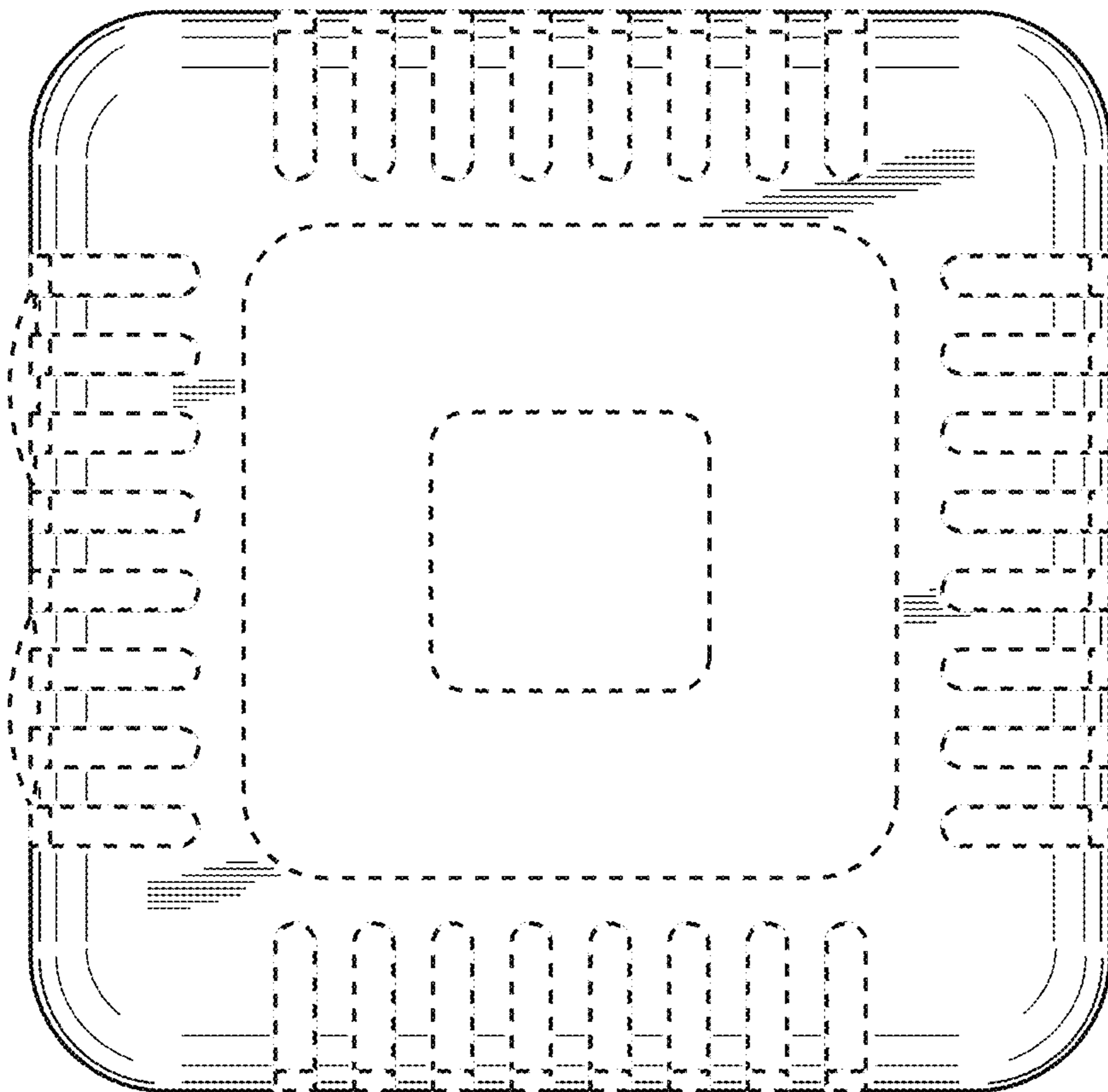
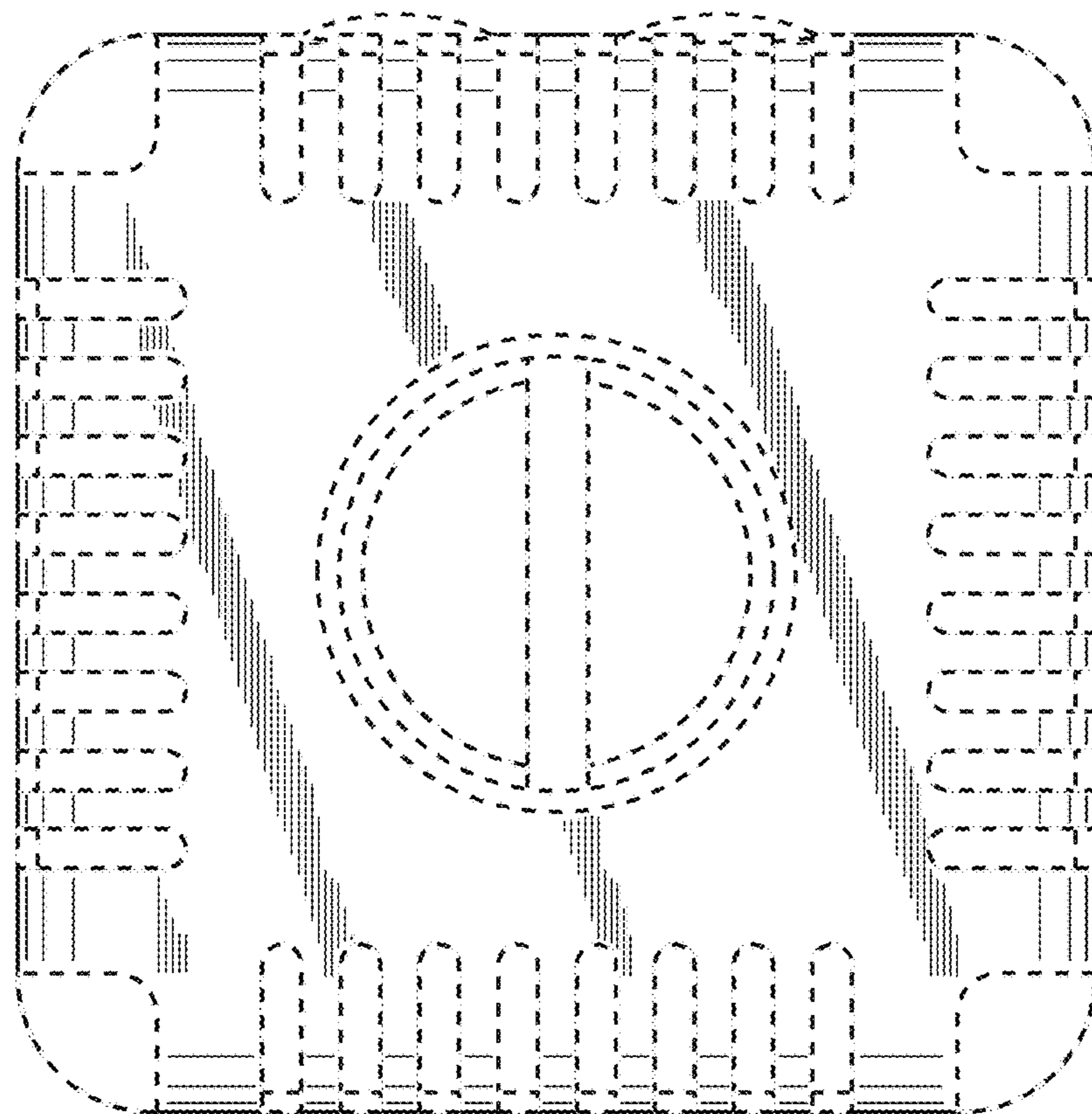
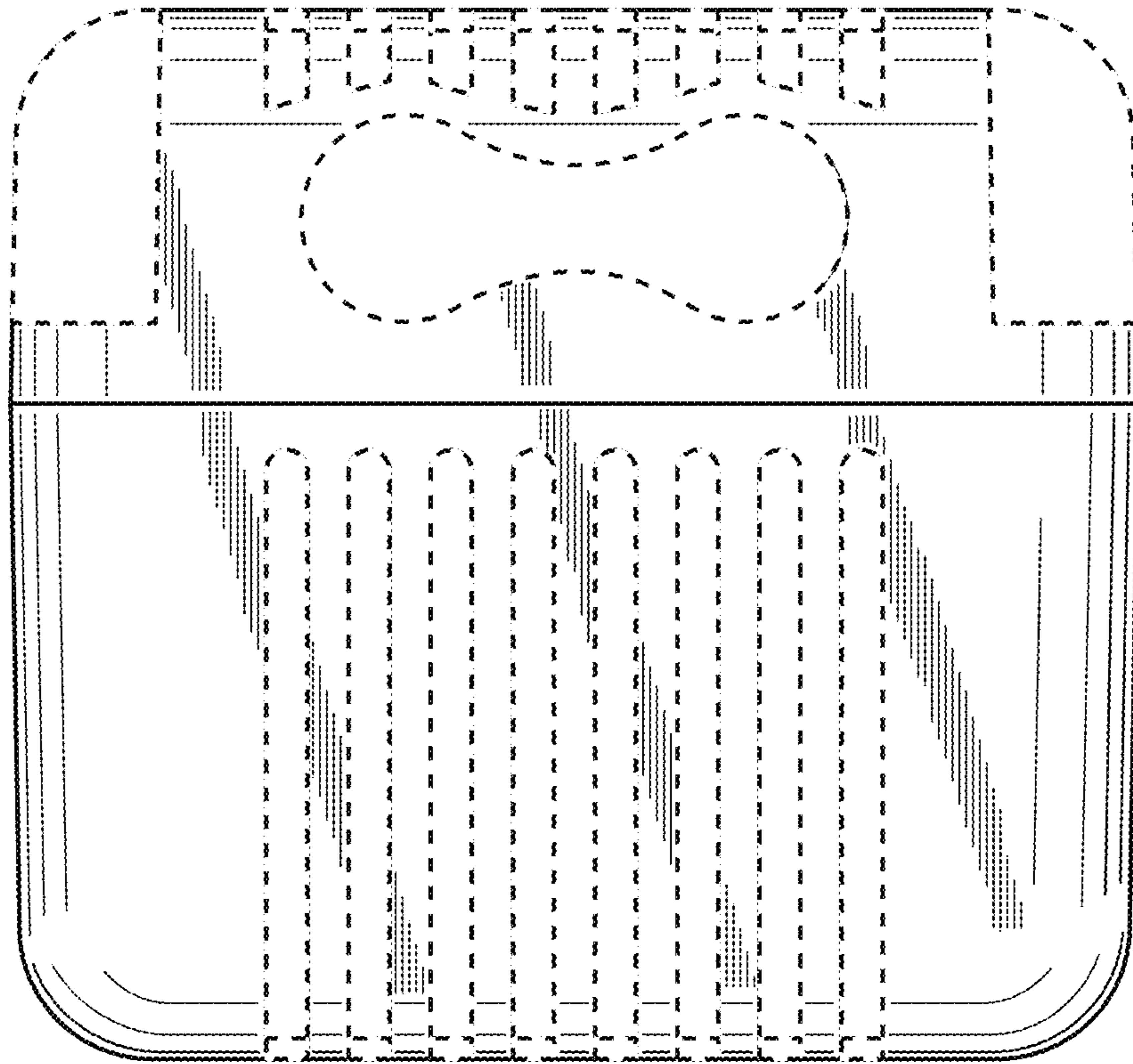


FIG. 4

**FIG. 5**



**FIG. 6**



**FIG. 7**

