

US00D831867S

(12) **United States Design Patent**
Lin

(10) **Patent No.:** **US D831,867 S**

(45) **Date of Patent:** **** Oct. 23, 2018**

(54) **AUTOMOBILE TAILLIGHT**

D675,353 S * 1/2013 Kazama D26/28
D677,812 S * 3/2013 Nakamura D26/28
D686,359 S 7/2013 McCabe

(71) Applicant: **Chi-Chung Lin**, Hsinchu (TW)

* cited by examiner

(72) Inventor: **Chi-Chung Lin**, Hsinchu (TW)

Primary Examiner — Marcus Jackson

(**) Term: **15 Years**

(74) *Attorney, Agent, or Firm* — Alexander Chen, Esq.;
Agnew International Patent & Trademark Law Firm

(21) Appl. No.: **29/616,365**

(22) Filed: **Sep. 6, 2017**

(51) **LOC (11) Cl.** **26-06**

(57) **CLAIM**

(52) **U.S. Cl.**

The ornamental design for an automobile taillight, as shown and described.

USPC **D26/28**

(58) **Field of Classification Search**

DESCRIPTION

USPC D26/28-36; 362/80-83, 267-269,
362/459-468, 475-478, 485-487
CPC F21S 48/00; F21S 48/10; F21S 48/115;
F21S 48/225; F21S 48/1233; F21S
48/1266; F21S 48/1388; F21S 48/2268;
F21V 21/04

FIG. 1 is a perspective view of an automobile taillight;
FIG. 2 is a front view thereof;
FIG. 3 is a left side view thereof; and,
FIG. 4 is a top side view thereof. The broken lines are
included to show environmental structure and form no part
of the claimed design. The drawings and descriptions rep-
resent the left side embodiment. The claim is also for a
mirror image right side embodiment.

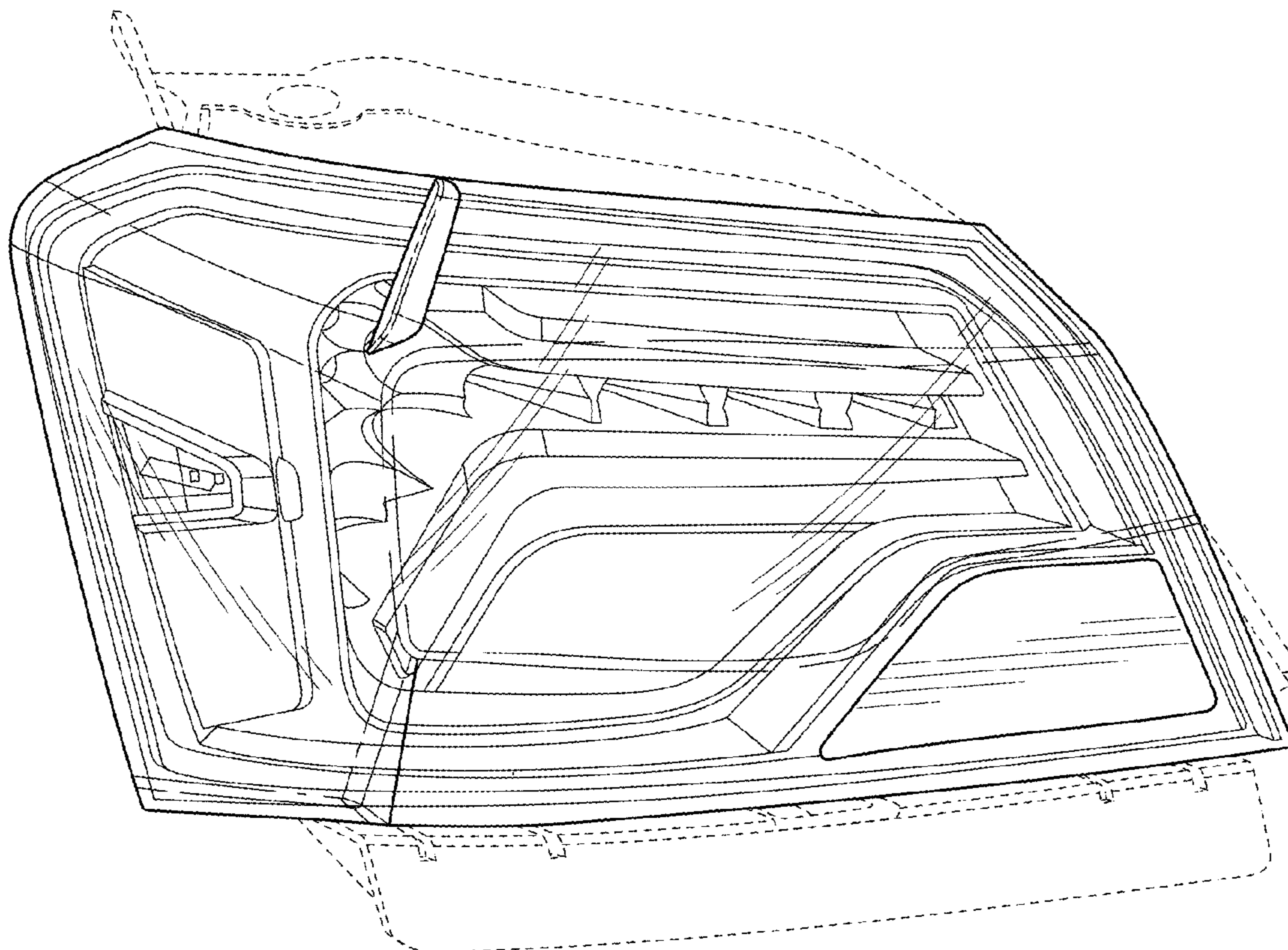
See application file for complete search history.

(56) **References Cited**

1 Claim, 4 Drawing Sheets

U.S. PATENT DOCUMENTS

D409,772 S * 5/1999 Bangle D26/28
D412,587 S * 8/1999 Bangle D26/28



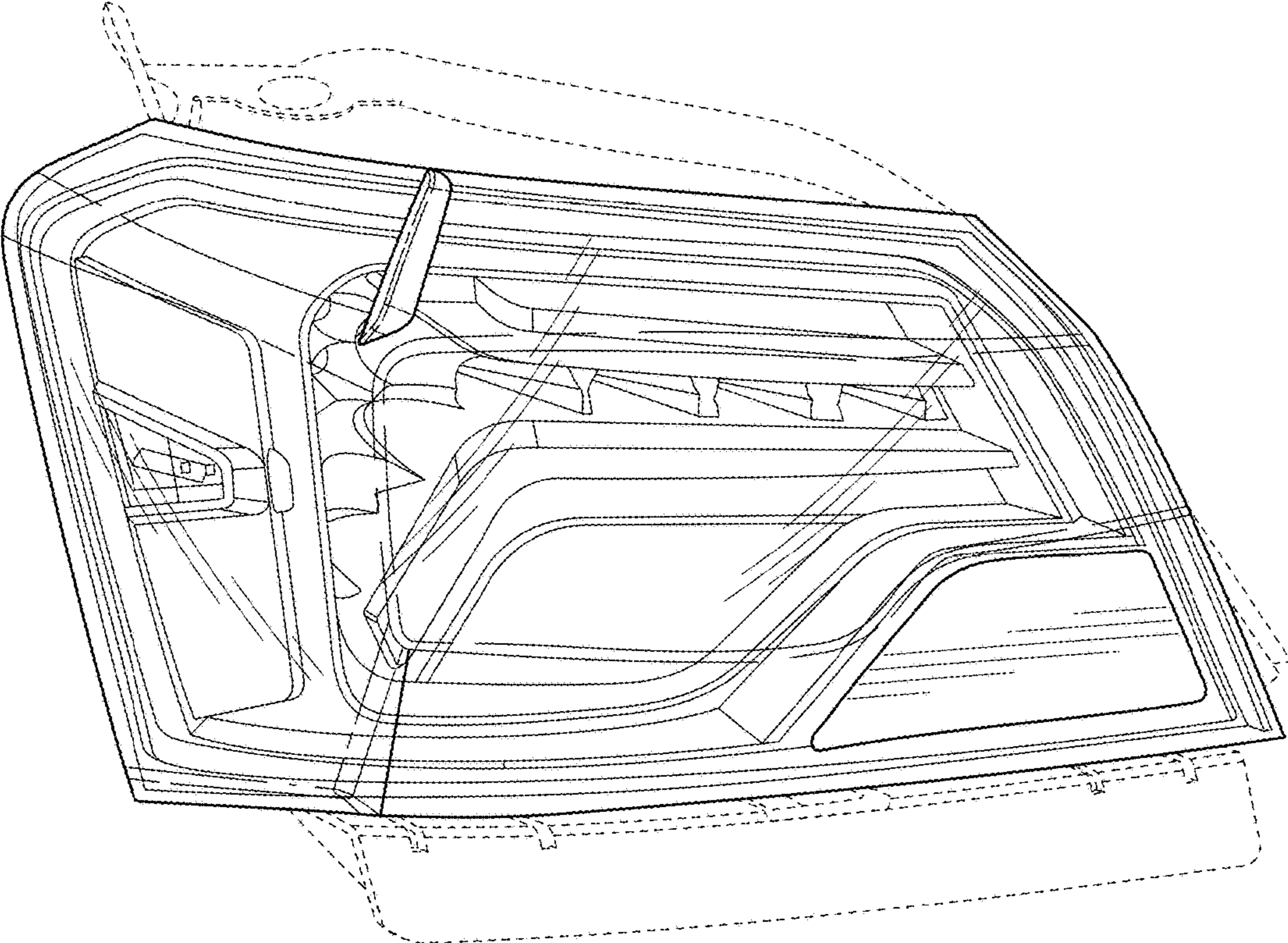


FIG. 1

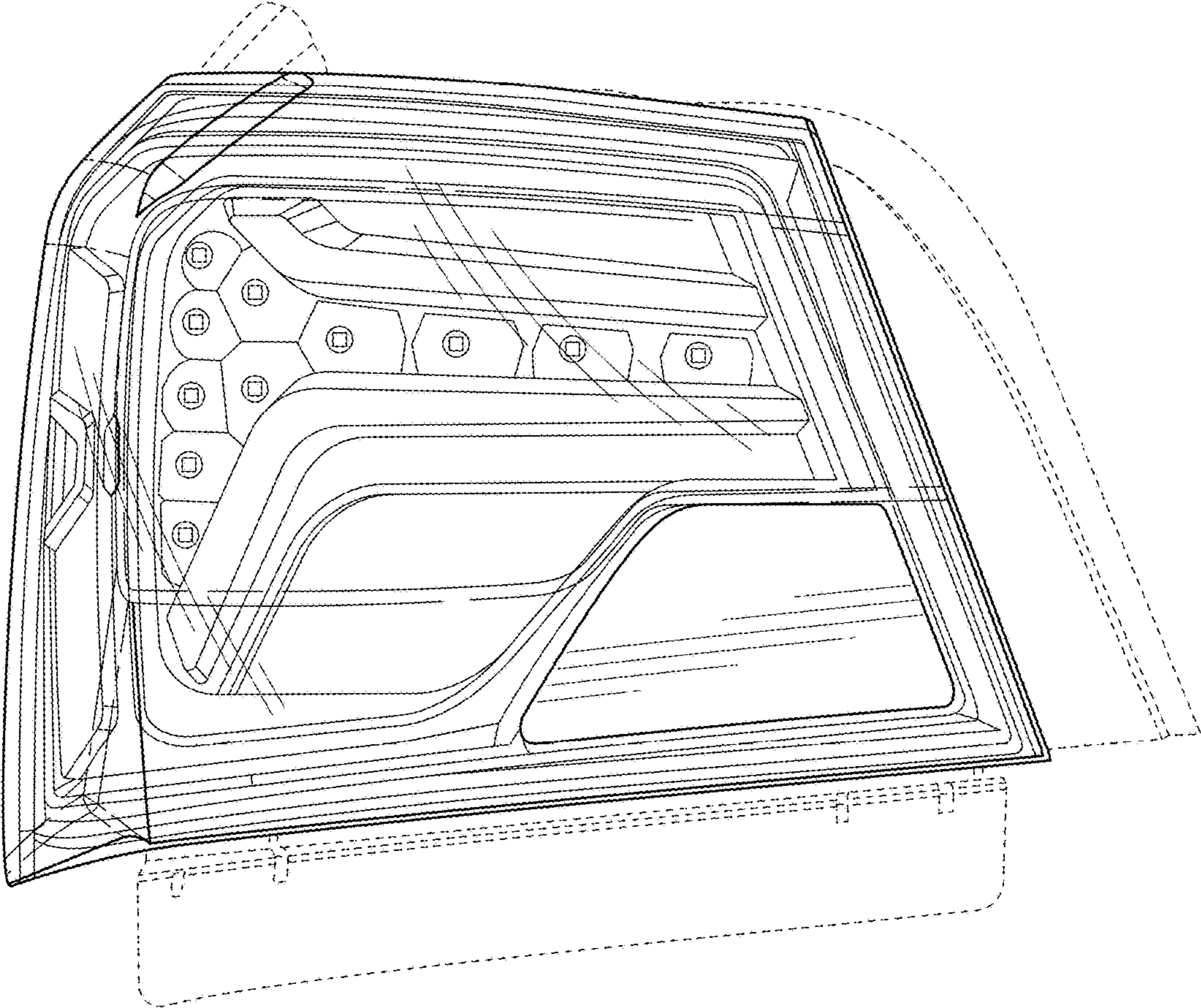


FIG. 2

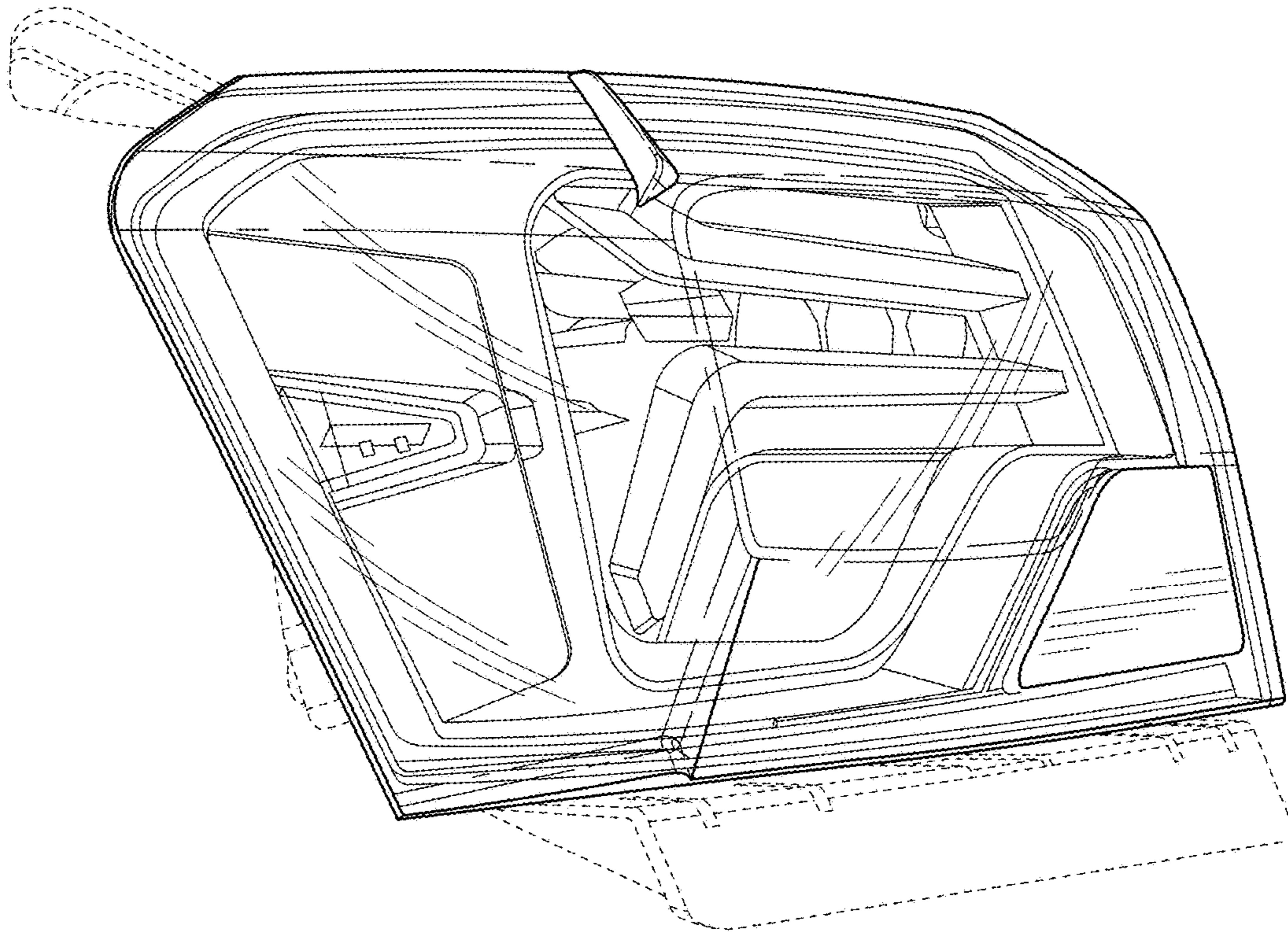


FIG. 3

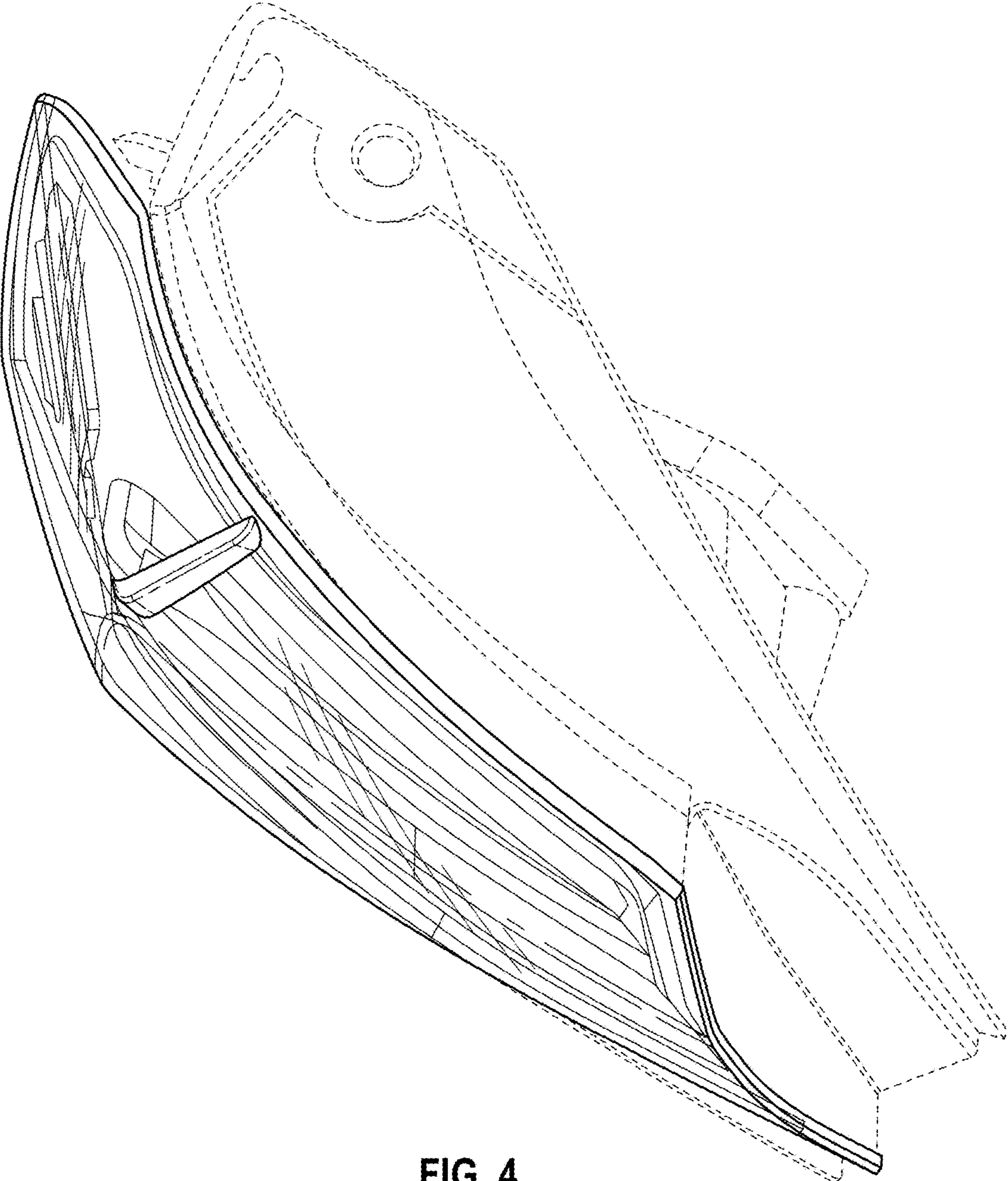


FIG. 4