



US00D831865S

(12) **United States Design Patent** (10) **Patent No.:** **US D831,865 S**
Aiba (45) **Date of Patent:** **** Oct. 23, 2018**

(54) **FRONT COMBINATION LAMP FOR AN AUTOMOBILE**

D560,291 S * 1/2008 Koyama D26/28
D561,357 S * 2/2008 Leclercq D26/28
D597,232 S * 7/2009 Hanaoka D26/28

(71) Applicant: **Subaru Corporation**, Tokyo (JP)

* cited by examiner

(72) Inventor: **Kazuki Aiba**, Tokyo (JP)

Primary Examiner — Marcus Jackson

(73) Assignee: **Subaru Corporation**, Tokyo (JP)

(74) *Attorney, Agent, or Firm* — Schiff Hardin LLP

(**) Term: **15 Years**

(57) **CLAIM**

(21) Appl. No.: **29/608,005**

The ornamental design for a front combination lamp for an automobile thereof, as shown and described.

(22) Filed: **Jun. 19, 2017**

(30) **Foreign Application Priority Data**

DESCRIPTION

Dec. 19, 2016 (JP) 2016-027420

(51) **LOC (11) Cl.** **26-06**

(52) **U.S. Cl.**
USPC **D26/28**

(58) **Field of Classification Search**

USPC D26/28-36; 362/80-83, 267-269,
362/459-468, 475-478, 485-487

CPC F21S 48/00; F21S 48/10; F21S 48/115;
F21S 48/225; F21S 48/1233; F21S
48/1266; F21S 48/1388; F21S 48/2268;
F21V 21/04

See application file for complete search history.

The patent or application file contains at least one drawing executed in color. Copies of this patent or patent application publication with color drawing(s) will be provided by the Office upon request and payment of the necessary fee.

FIG. 1 is a front perspective view for a “ front combination lamp for an automobile” showing my new design,
FIG. 2 is a rear perspective view thereof,
FIG. 3 is a front view thereof,
FIG. 4 is a rear view thereof,
FIG. 5 is a top view thereof,
FIG. 6 is a bottom view thereof,
FIG. 7 is a left-side view thereof,
FIG. 8 is a right-side view thereof; and,
FIG. 9 is a perspective view showing the claimed design, wherein the only difference resides in the translucent lens.

(56) **References Cited**

U.S. PATENT DOCUMENTS

D528,685 S * 9/2006 Yoshida D26/28
D544,114 S * 6/2007 Ohta D26/28

1 Claim, 9 Drawing Sheets
(1 of 9 Drawing Sheet(s) Filed in Color)

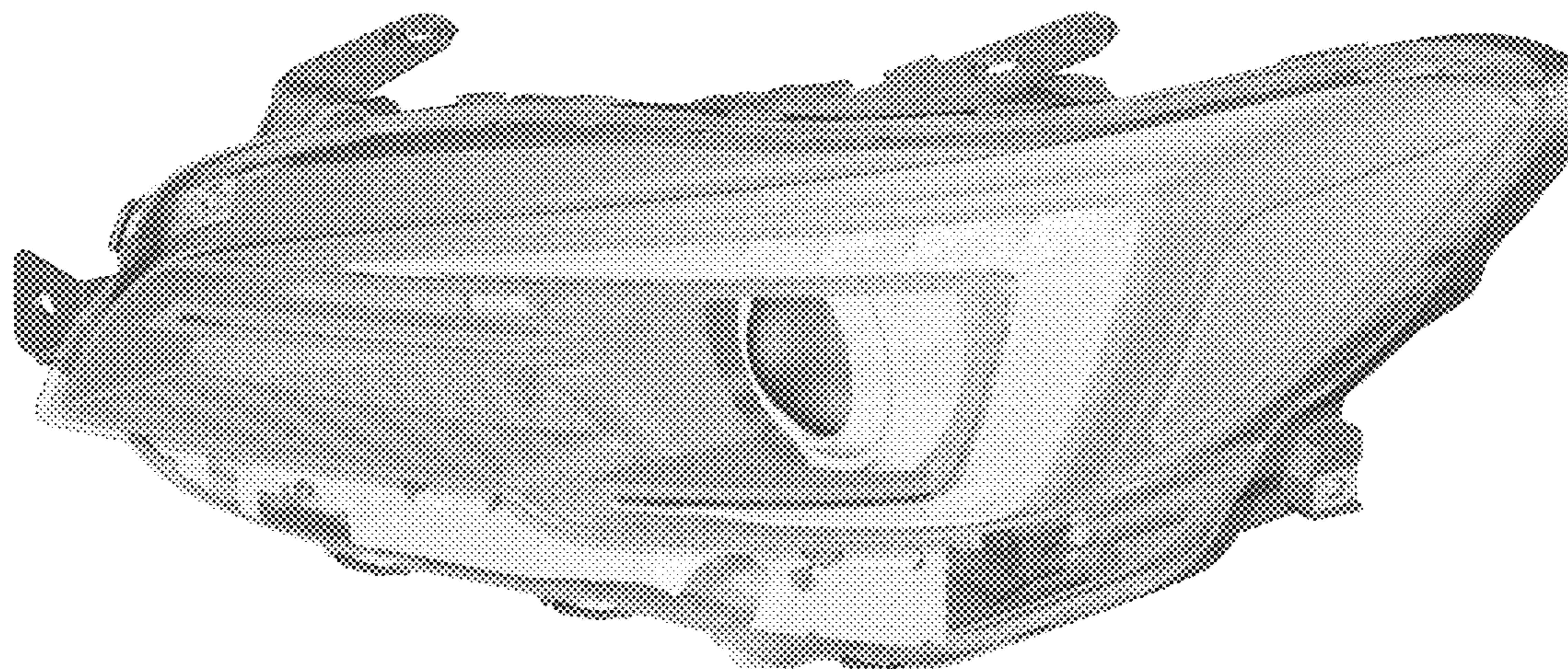


Fig. 1

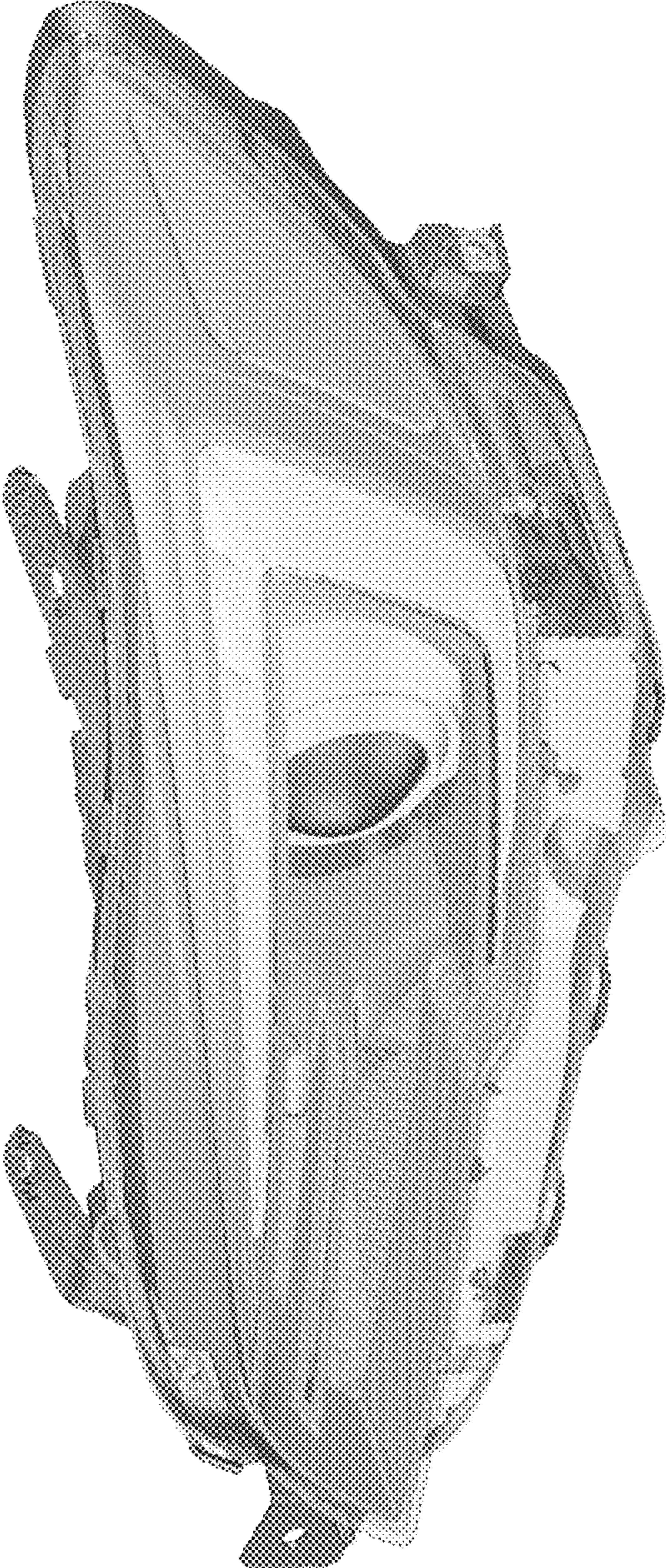


Fig. 2

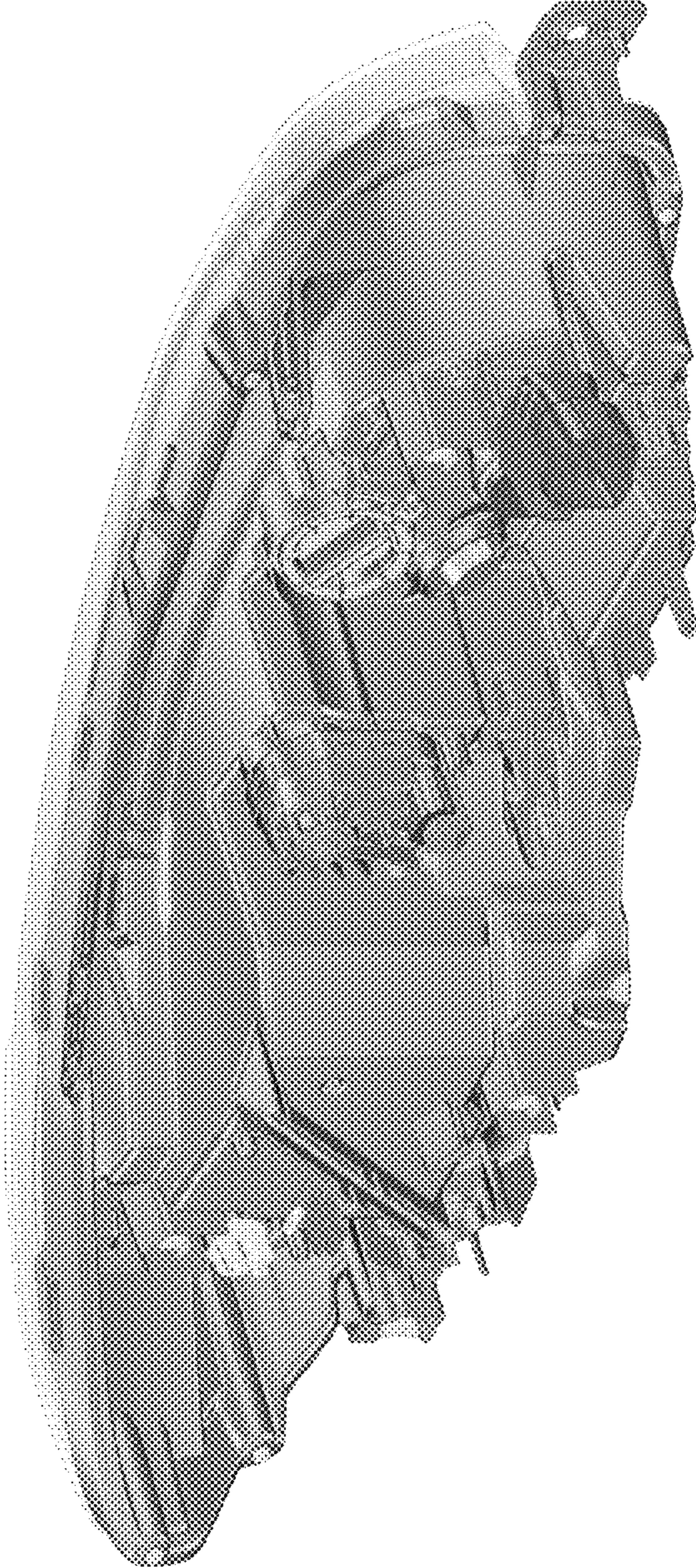


Fig. 3

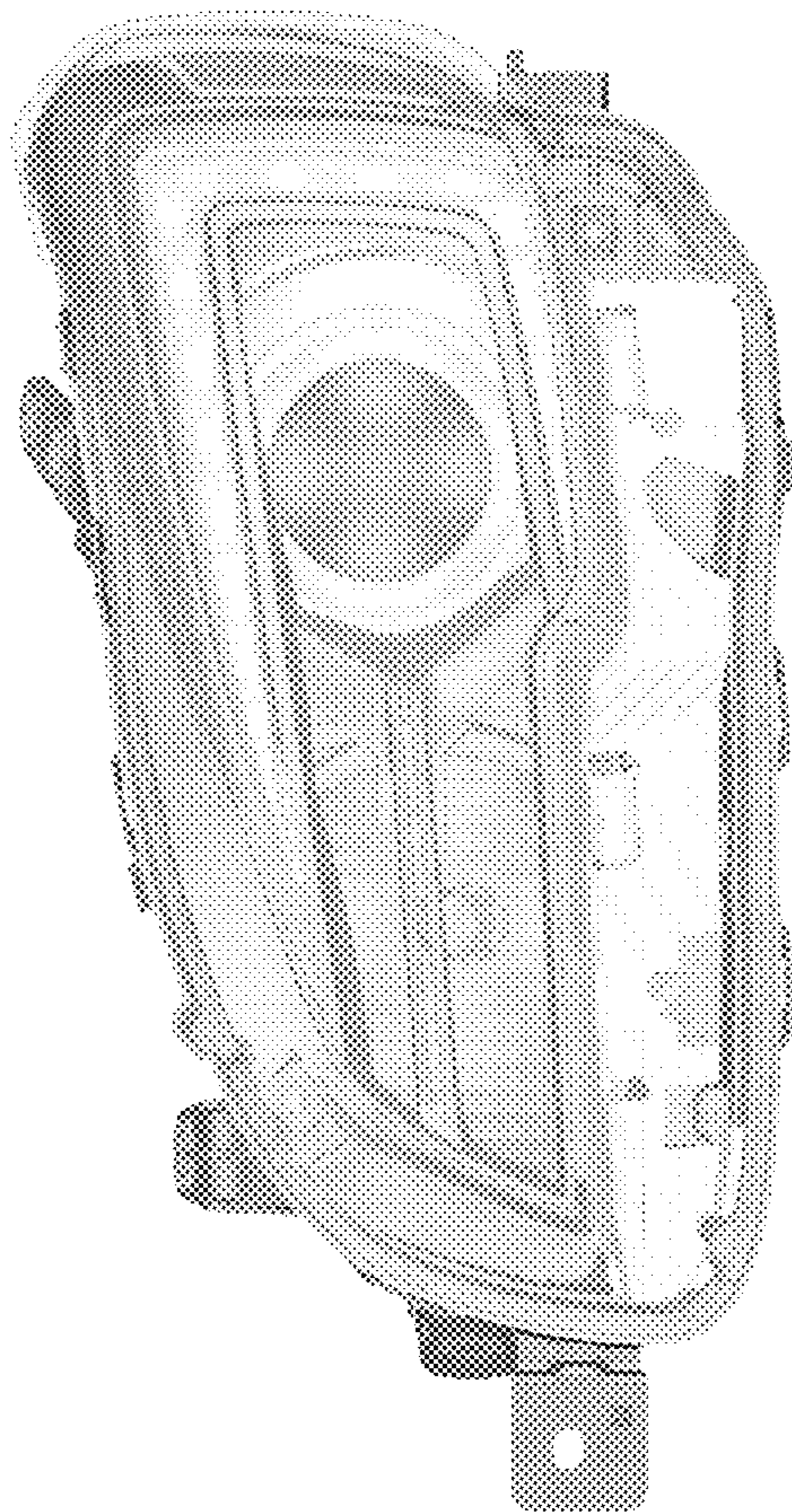


Fig. 4

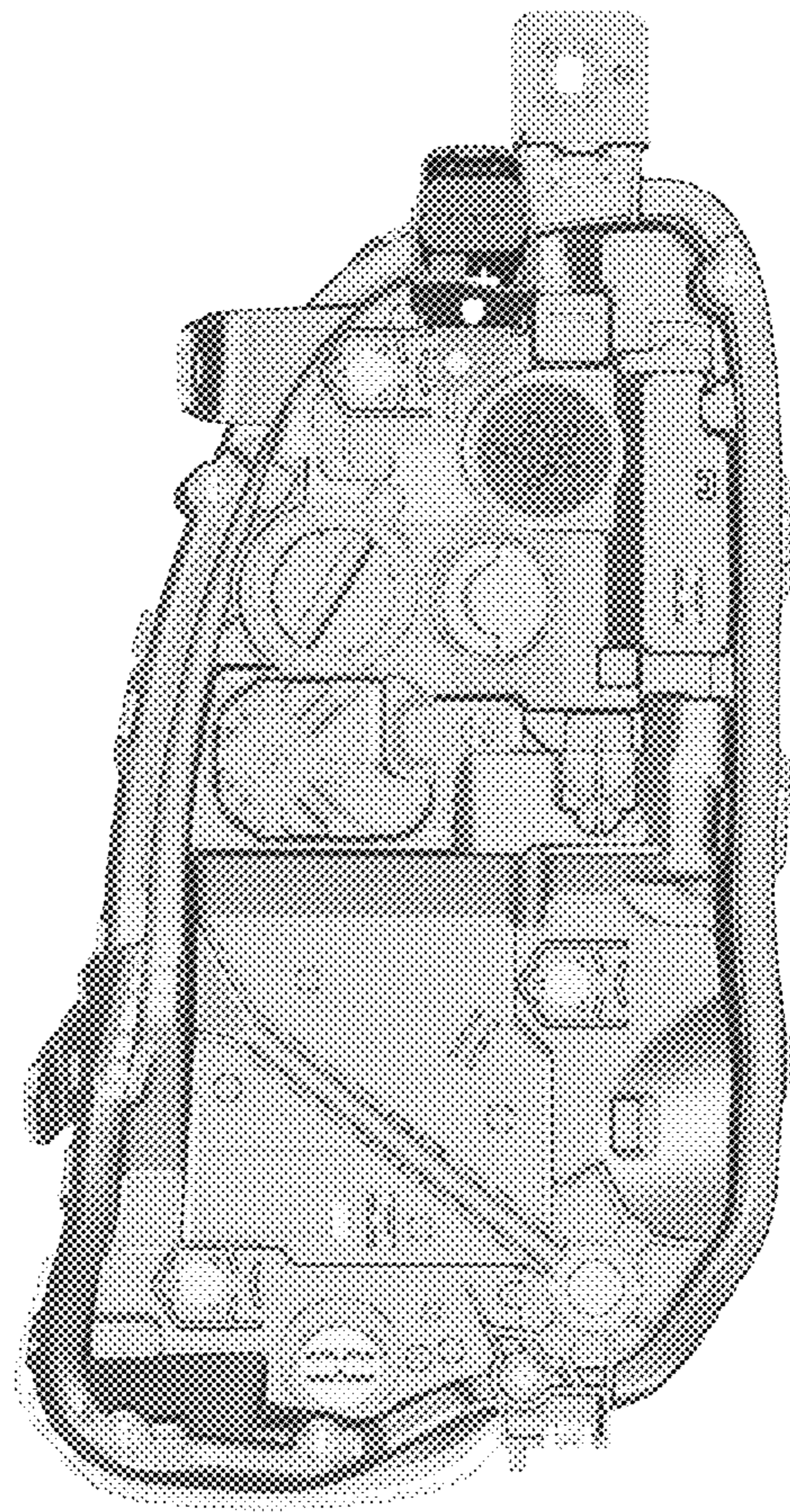


Fig. 5

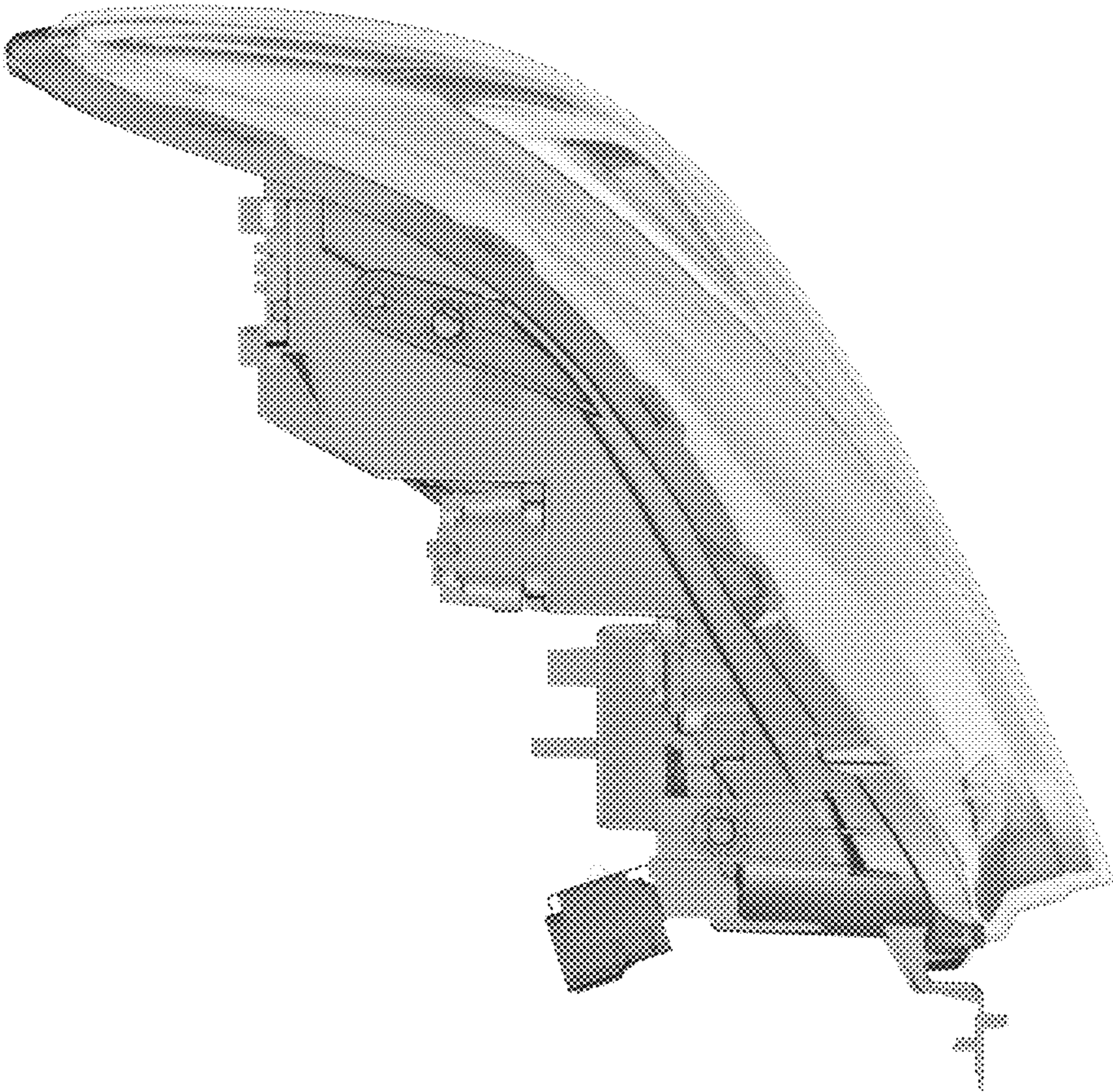


Fig. 6

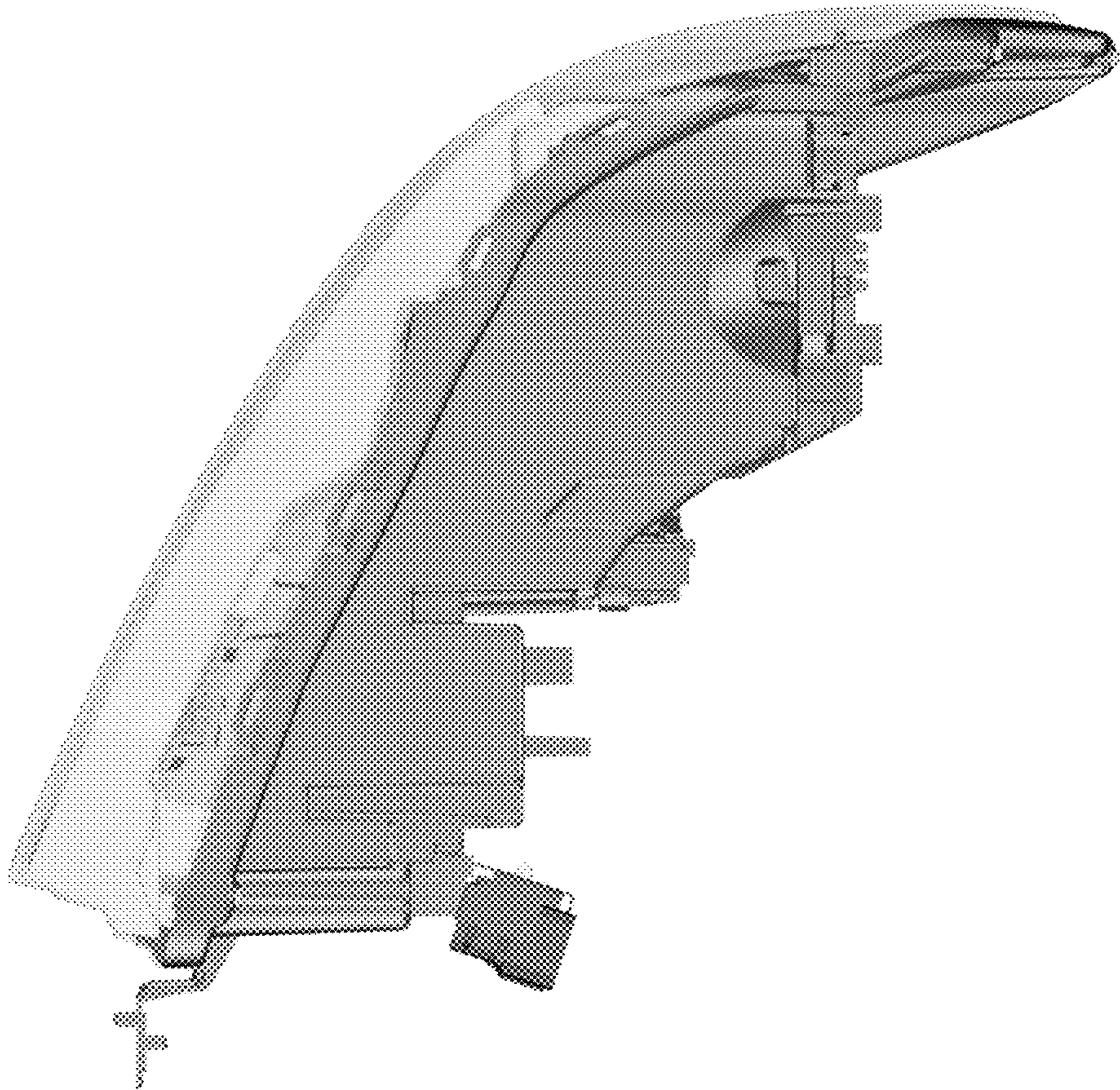


Fig. 7

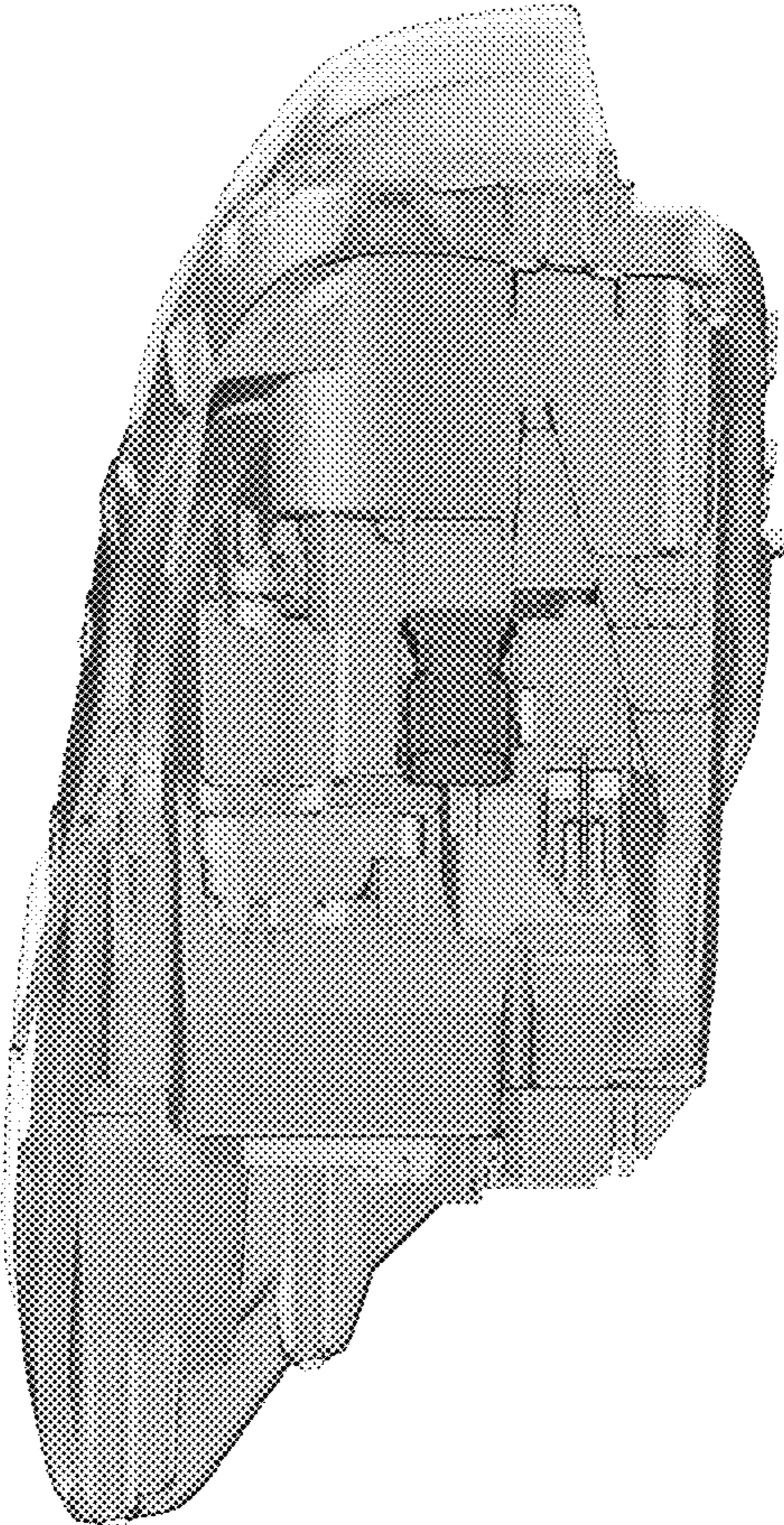


Fig. 8

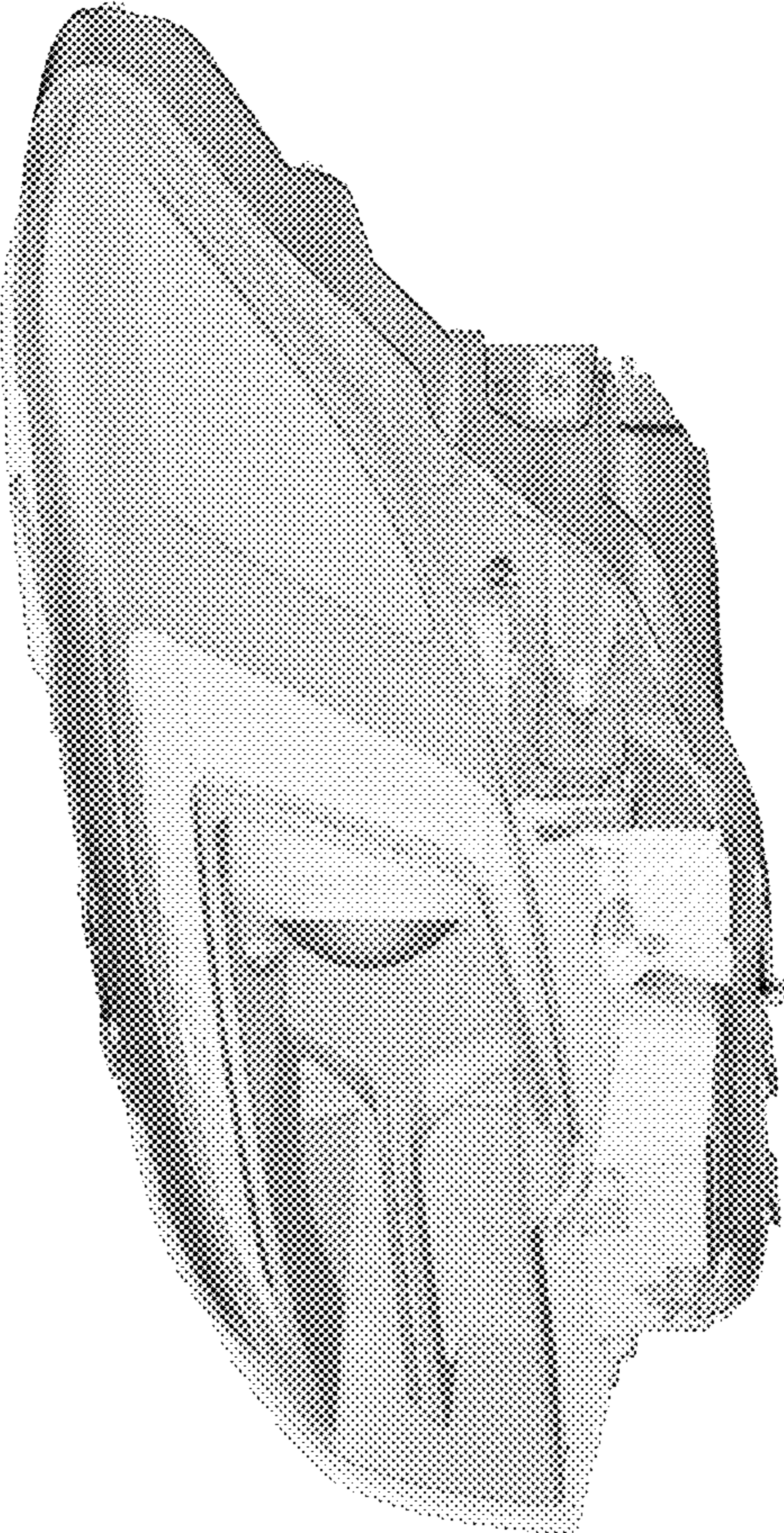


Fig. 9

