

US00D831863S

(12) **United States Design Patent** (10) **Patent No.:** **US D831,863 S**  
**Miller** (45) **Date of Patent:** **\*\* Oct. 23, 2018**

(54) **CANDLE HOLDER**  
(71) Applicant: **Jason Miller**, Brooklyn, NY (US)  
(72) Inventor: **Jason Miller**, Brooklyn, NY (US)  
(\*\*) Term: **15 Years**  
(21) Appl. No.: **29/573,196**  
(22) Filed: **Aug. 3, 2016**  
(51) **LOC (11) Cl.** ..... **26-01**  
(52) **U.S. Cl.**  
USPC ..... **D26/9**  
(58) **Field of Classification Search**  
USPC ..... D26/6-23; D6/303, 313, 314, 519, 537,  
D6/556, 567, 692.3; D11/131, 131.1,  
D11/141, 143, 144, 164; D9/504, 529,  
D9/544, 545, 549  
CPC .. F21S 6/00; F21S 13/00; F21V 35/00; F21W  
2121/00; A47G 33/02  
See application file for complete search history.

D589,178 S \* 3/2009 Conway ..... D26/20  
D606,674 S \* 12/2009 Williams ..... D26/9  
D613,096 S \* 4/2010 Stoepker ..... D6/692.3  
D642,828 S \* 8/2011 Unterrainer ..... D6/692.3  
D647,713 S \* 11/2011 Unterrainer ..... D6/349  
D745,297 S \* 12/2015 Ye ..... D6/692.3  
D769,036 S \* 10/2016 Manea ..... D6/692.3  
D782,856 S \* 4/2017 Broen ..... D6/692.3  
D788,505 S \* 6/2017 Wu ..... D6/692.3  
D799,867 S \* 10/2017 Thai ..... D6/692.3

\* cited by examiner

*Primary Examiner* — Thomas Johannes  
*Assistant Examiner* — Keith Frank  
(74) *Attorney, Agent, or Firm* — Timothy W. Menasco,  
Esq.; Harter Secrest & Emery LLP

(57) **CLAIM**

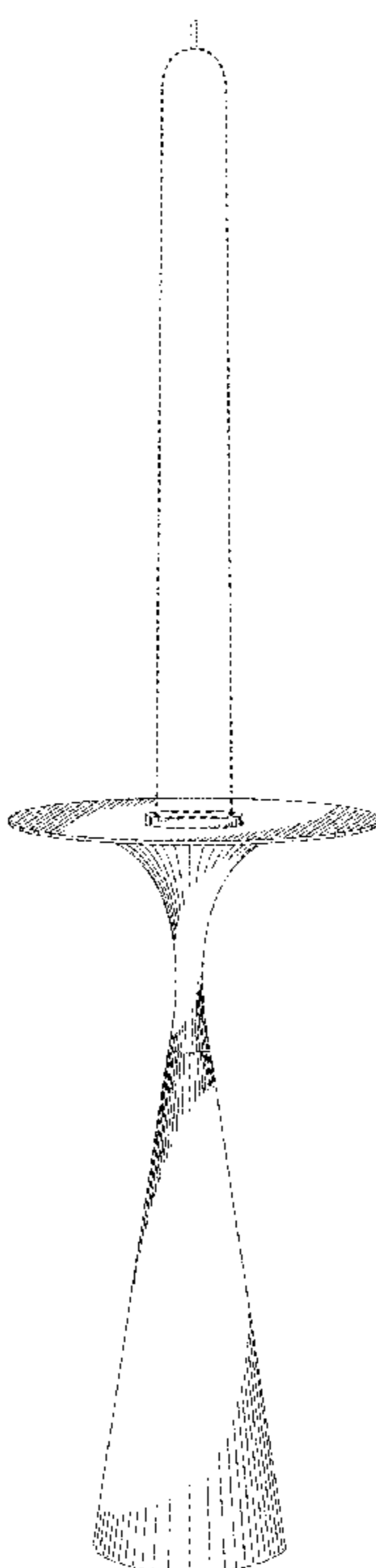
The ornamental design of a candle holder, as shown and described.

**DESCRIPTION**

FIG. 1 is a front perspective view of candle holder in accordance with the present invention; FIG. 2 is a front view thereof, a rear, left, and right side view being the same thereof; FIG. 3 is a top view thereof; and, FIG. 4 is a bottom view thereof. The broken lines showing on the lower base portion of the candle holder illustrate the portions of the candle holder that form no part of the claimed design. The broken lines showing silhouette of a candle in the drawing views represent environmental structure and form no part of the claimed design.

**1 Claim, 3 Drawing Sheets**

(56) **References Cited**  
U.S. PATENT DOCUMENTS  
D50,276 S \* 2/1917 Kelley ..... D11/143  
D203,210 S \* 12/1965 Bieger ..... D7/558  
D280,444 S \* 9/1985 Boss ..... D26/110  
D299,298 S \* 1/1989 Durand ..... D7/527  
D323,263 S \* 1/1992 Blackburn ..... D6/686  
5,353,716 A \* 10/1994 Wilbert  
D389,947 S \* 1/1998 Hutton ..... D26/110  
D446,121 S \* 8/2001 Maddy ..... D9/500  
D554,278 S \* 10/2007 Williams ..... D26/9  
D578,806 S \* 10/2008 Lievore ..... D6/692.3



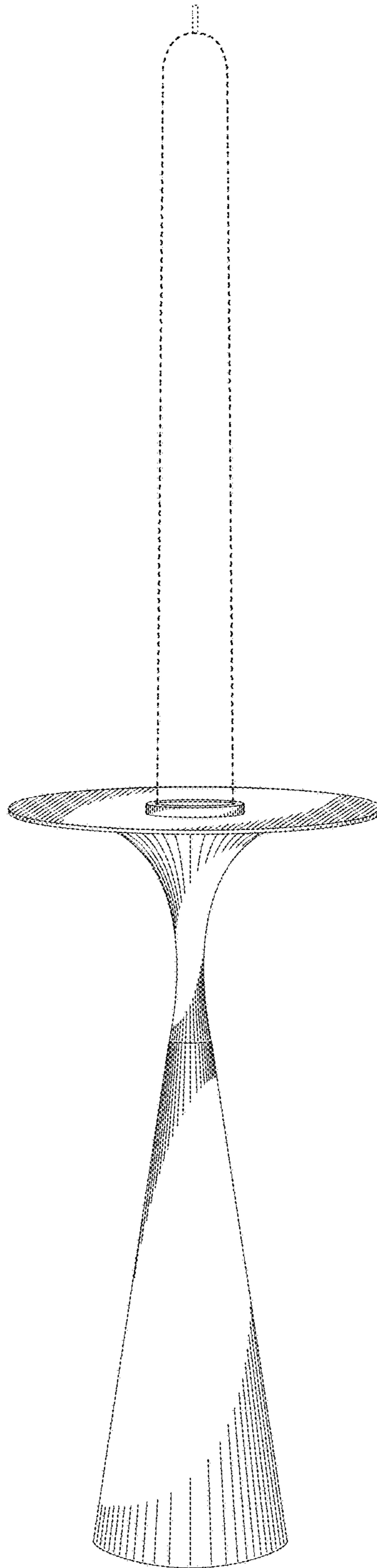


FIG. 1

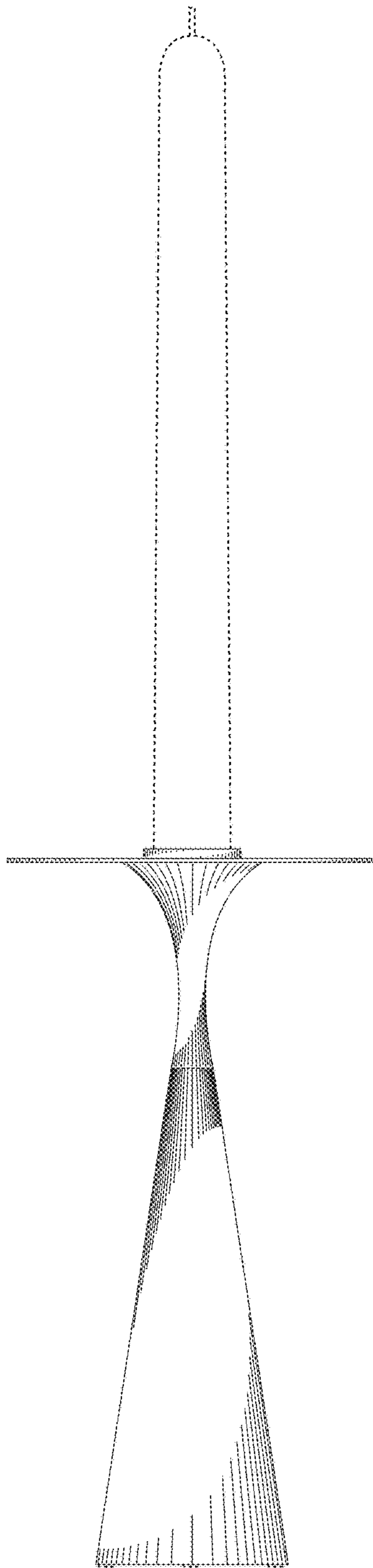


FIG. 2

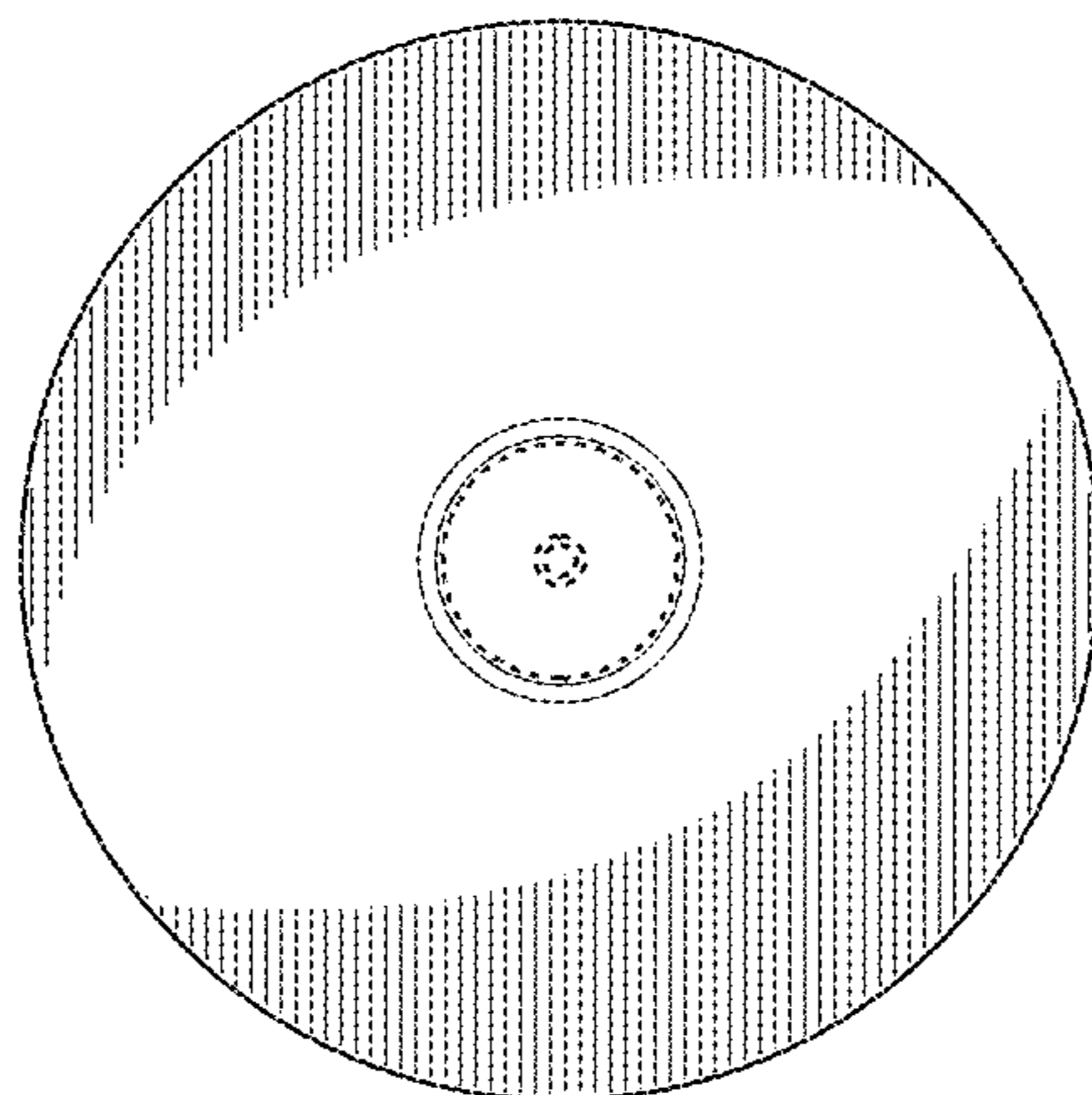


FIG. 3

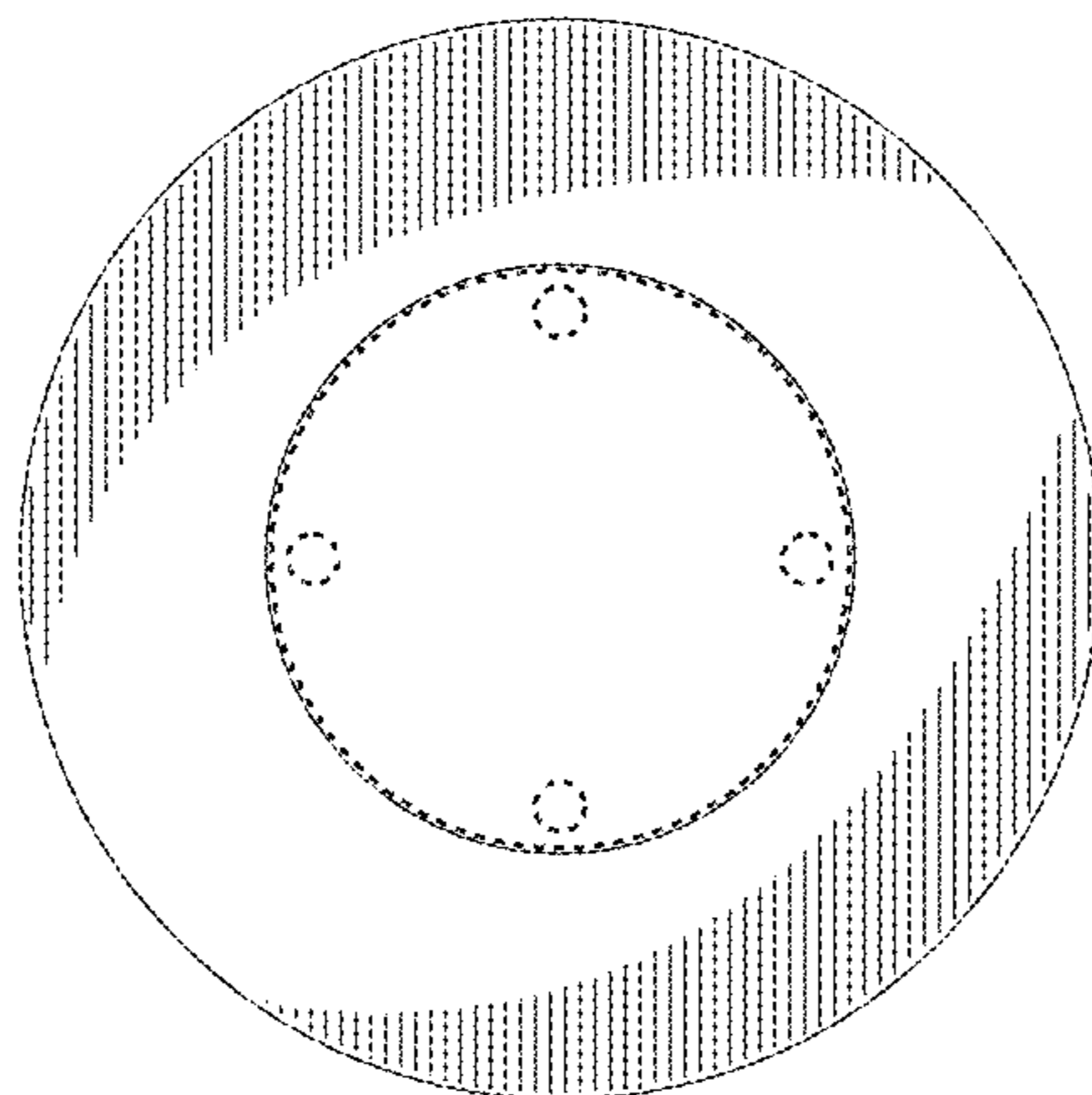


FIG. 4