



US00D831862S

(12) **United States Design Patent** (10) **Patent No.:** **US D831,862 S**
Yao et al. (45) **Date of Patent:** **** Oct. 23, 2018**

(54) **LED LAMP**

D733,339 S * 6/2015 Yu D26/2
D735,375 S * 7/2015 Wang D26/2
D814,071 S 3/2018 Lin

(71) Applicants: **Zuohong Yao**, Dongyang (CN);
Lingyun Lu, Dongyang (CN); **Qiang Ni**, Dongyang (CN); **Houcai Liao**, Dongyang (CN)

FOREIGN PATENT DOCUMENTS

(72) Inventors: **Zuohong Yao**, Dongyang (CN);
Lingyun Lu, Dongyang (CN); **Qiang Ni**, Dongyang (CN); **Houcai Liao**, Dongyang (CN)

CN 101520168 A 9/2009
CN 201983034 U 9/2011
CN 202203731 U 4/2012
CN 202252995 U 5/2012
CN 103032708 A 4/2013
CN 202915086 U 5/2013
CN 103453336 A 12/2013
EP 2390553 A2 * 11/2011 F21K 9/23
JP 2013048106 A 3/2013
JP 2013098100 A 5/2013
WO WO 9957945 A1 * 11/1999 F21K 9/23
WO WO 2014120945 A1 * 8/2014 G02B 6/0021

(73) Assignee: **HENGDIAN GROUP TOSPO LIGHTING CO., LTD.** (CN)

(**) Term: **14 Years**

* cited by examiner

(21) Appl. No.: **29/519,389**

Primary Examiner — Lakiya G Rogers

(22) Filed: **Mar. 4, 2015**

Assistant Examiner — Harold E Blackwell, II

(51) **LOC (11) Cl.** **26-04**

(74) *Attorney, Agent, or Firm* — St. Onge Steward Johnston & Reens, LLC

(52) **U.S. Cl.**

USPC **D26/2**

(58) **Field of Classification Search**

USPC D26/1-4; 313/313, 315, 316, 317, 318, 313/493, 636; 315/52, 53, 56, 57, 58; 362/294, 373, 327; D13/179

CPC F21K 9/00; F21K 9/13

See application file for complete search history.

(57) **CLAIM**

The ornamental design for a LED lamp, as shown and described.

DESCRIPTION

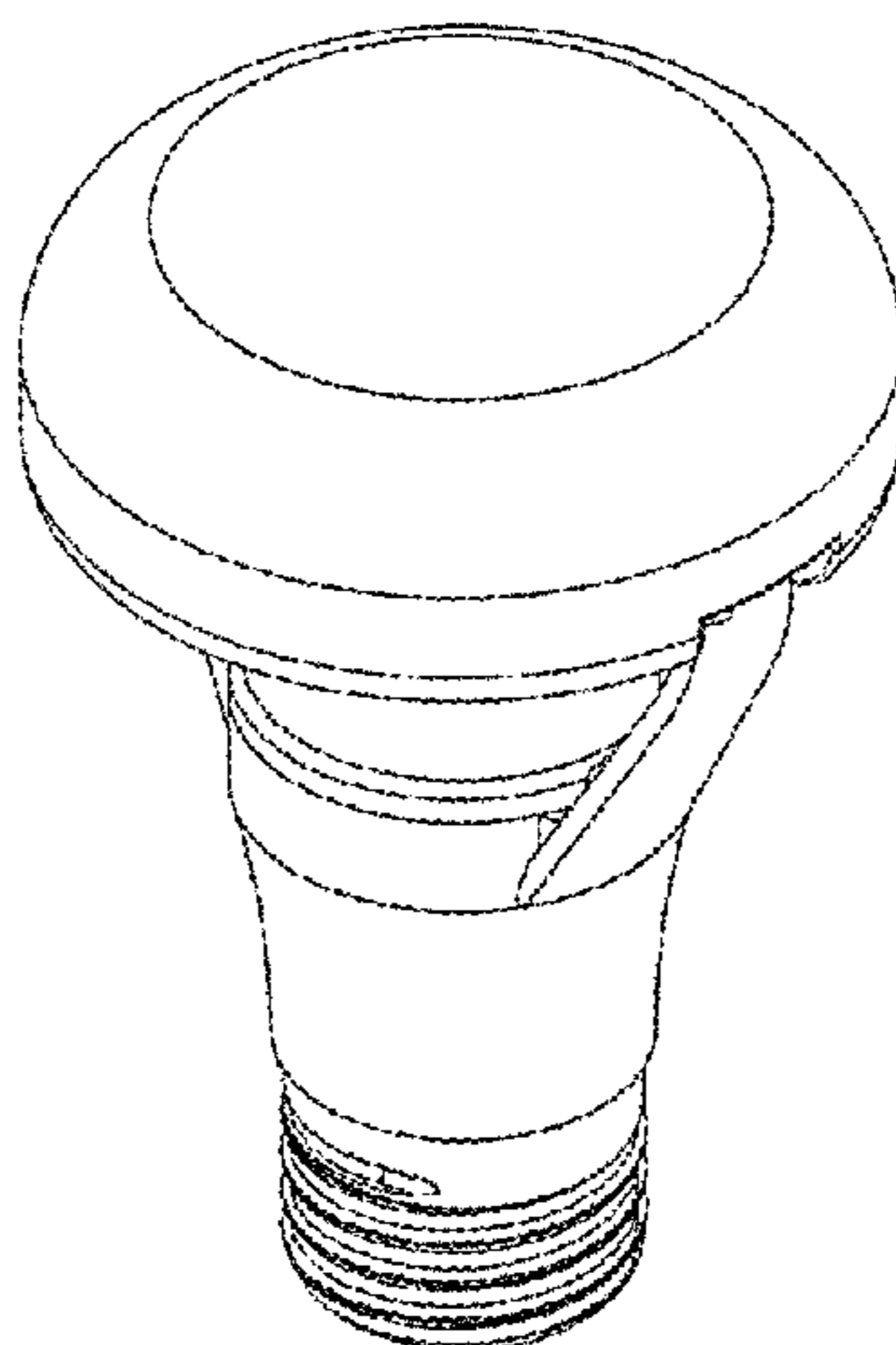
FIG. 1 is a front elevational view of a LED lamp in accordance with the new design;
FIG. 2 is a rear elevational view thereof;
FIG. 3 is a left side elevational view thereof;
FIG. 4 is a right side elevational view thereof;
FIG. 5 is a top plan view thereof;
FIG. 6 is a bottom plan view thereof; and,
FIG. 7 is a front left side perspective view thereof.
The broken lines shown in FIG. 6, illustrate portions of the LED Lamp which form no part of the claimed design.

(56) **References Cited**

U.S. PATENT DOCUMENTS

D610,271 S * 2/2010 Bi D26/2
D675,351 S * 1/2013 Lin D26/2
D691,745 S * 10/2013 Wang D26/2
D695,431 S * 12/2013 Lay D26/2
D699,869 S 2/2014 Zolotykh et al.
D699,870 S 2/2014 Zolotykh et al.
D699,871 S 2/2014 Zolotykh et al.
D720,478 S * 12/2014 Zeng D26/2

1 Claim, 3 Drawing Sheets



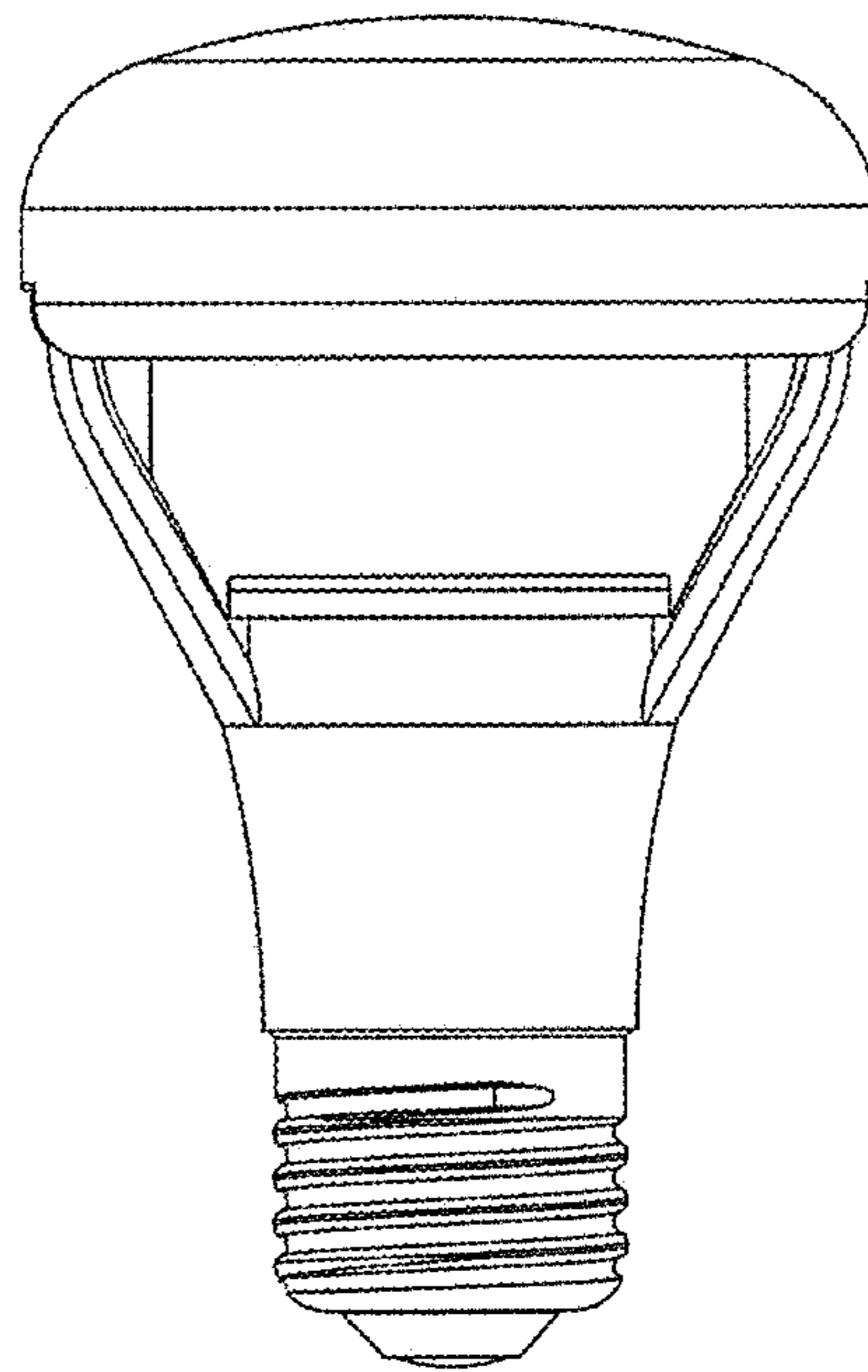


Fig. 1

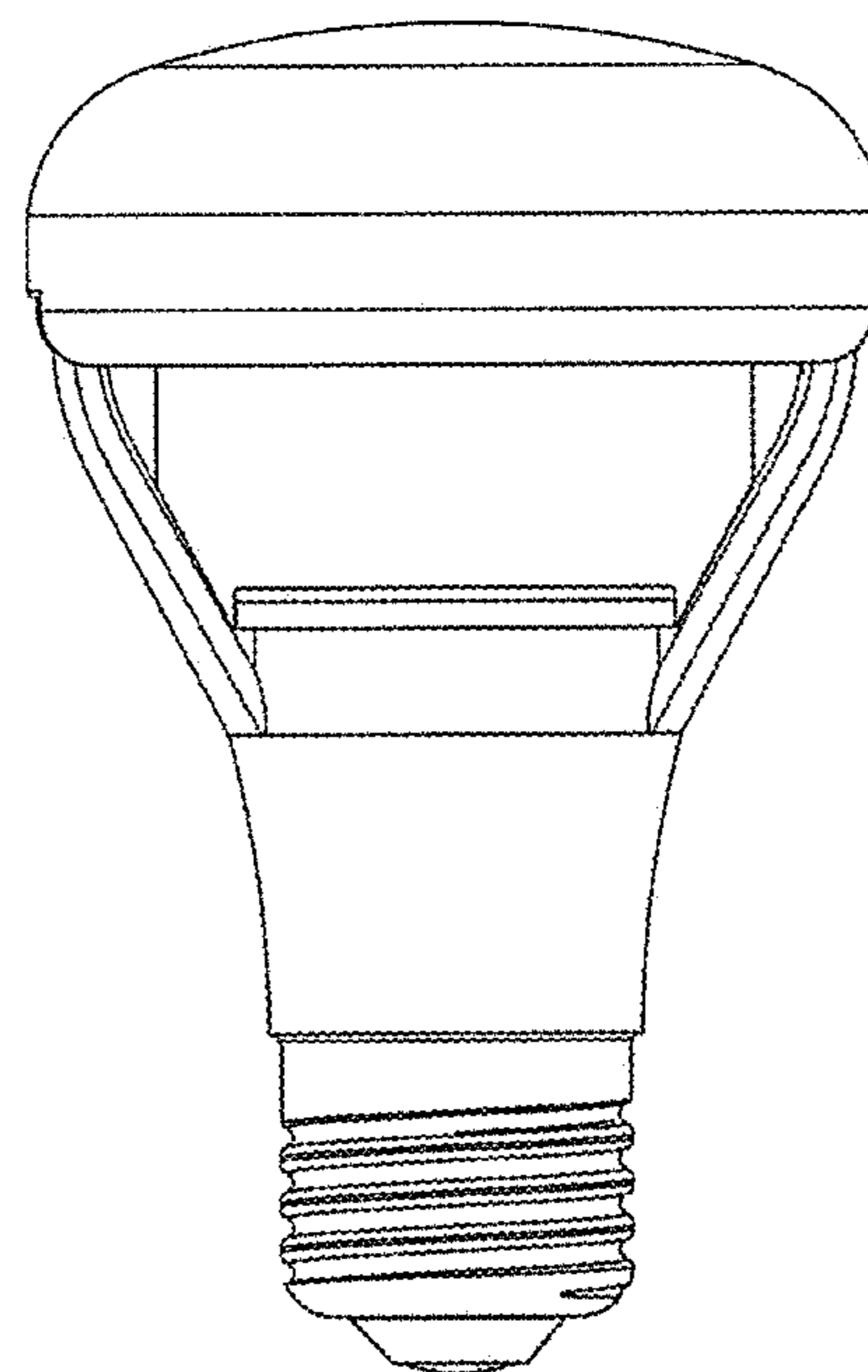


Fig. 2

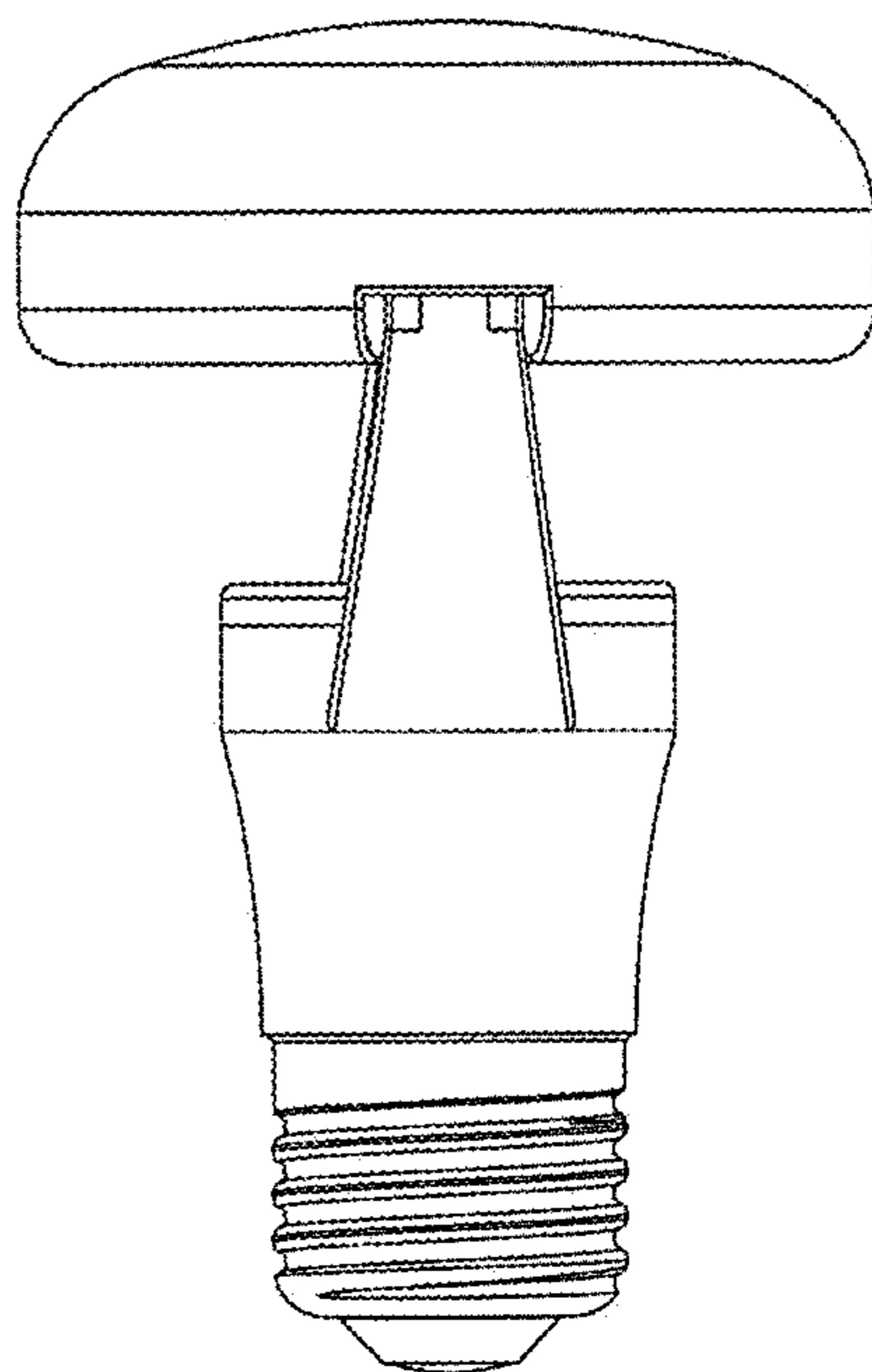


Fig. 3

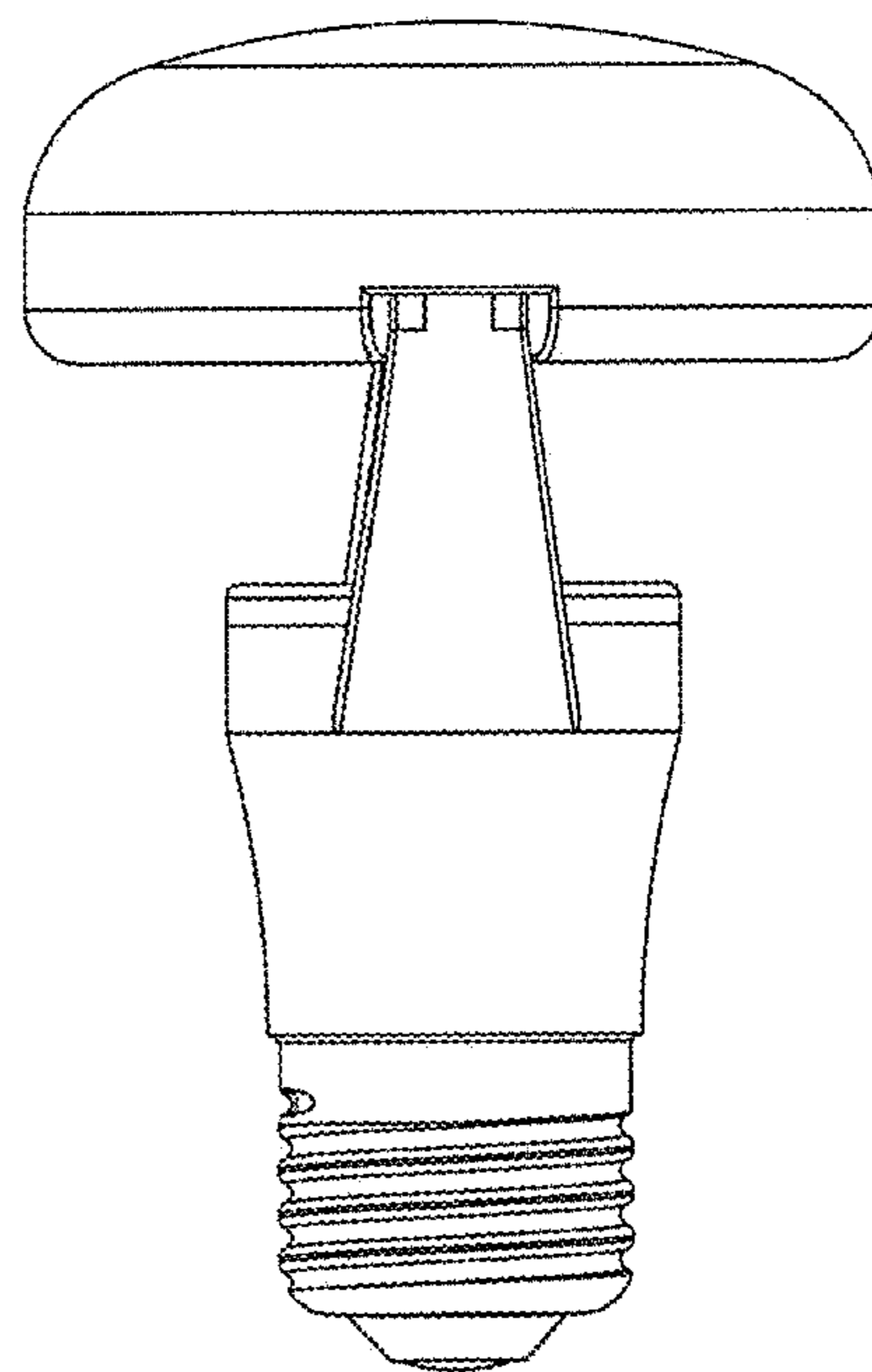


Fig. 4

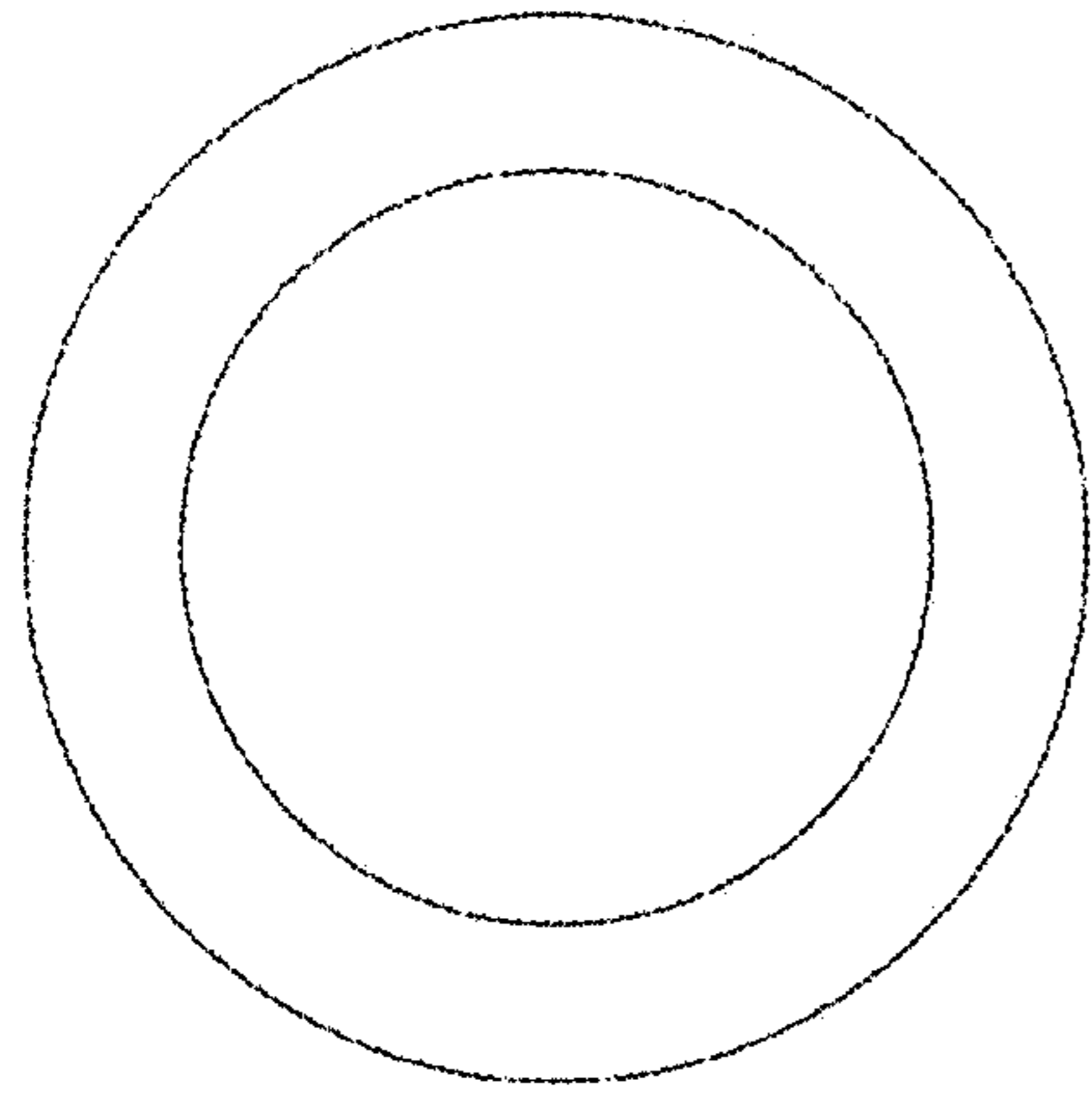


Fig. 5

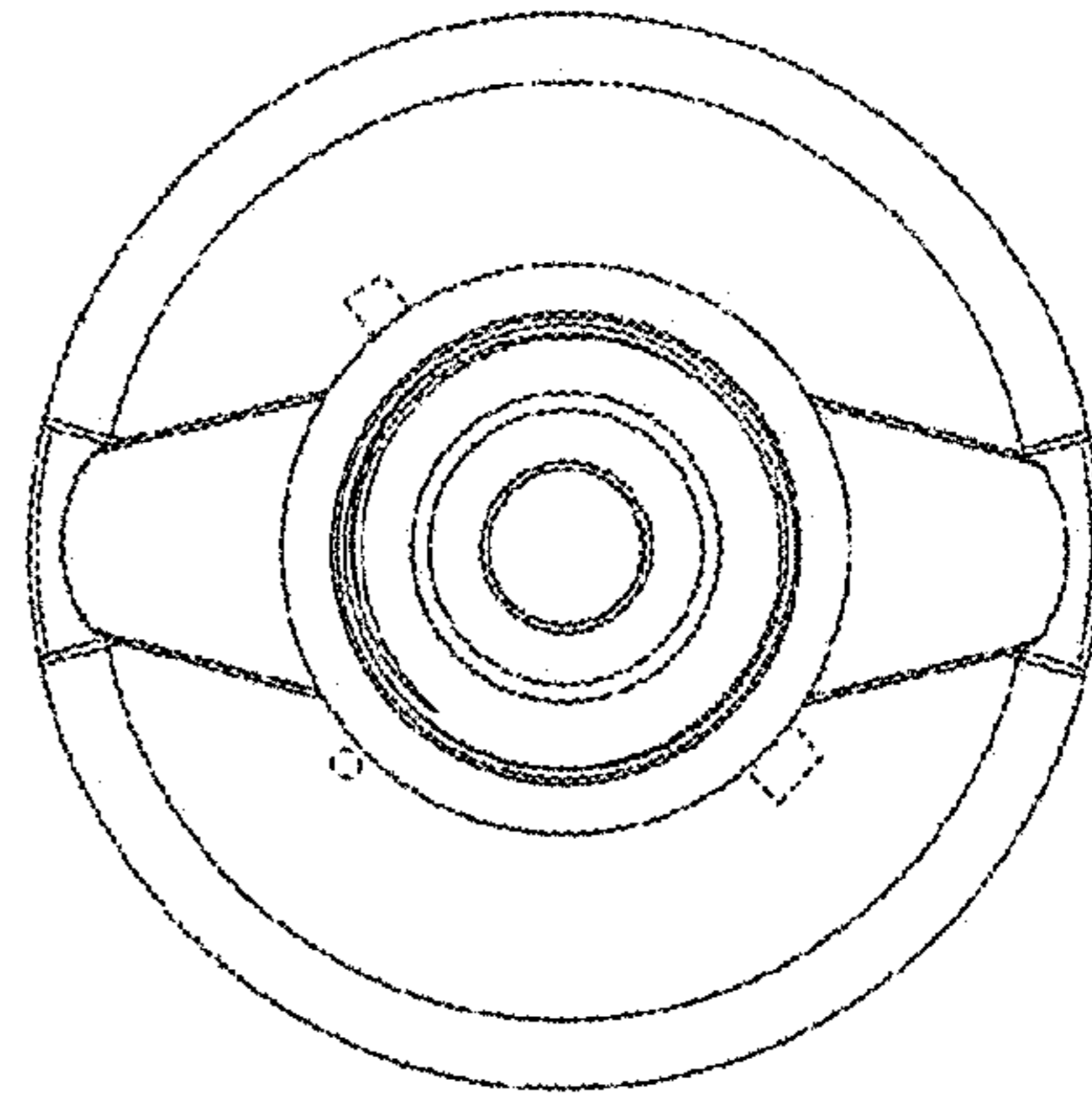


Fig. 6

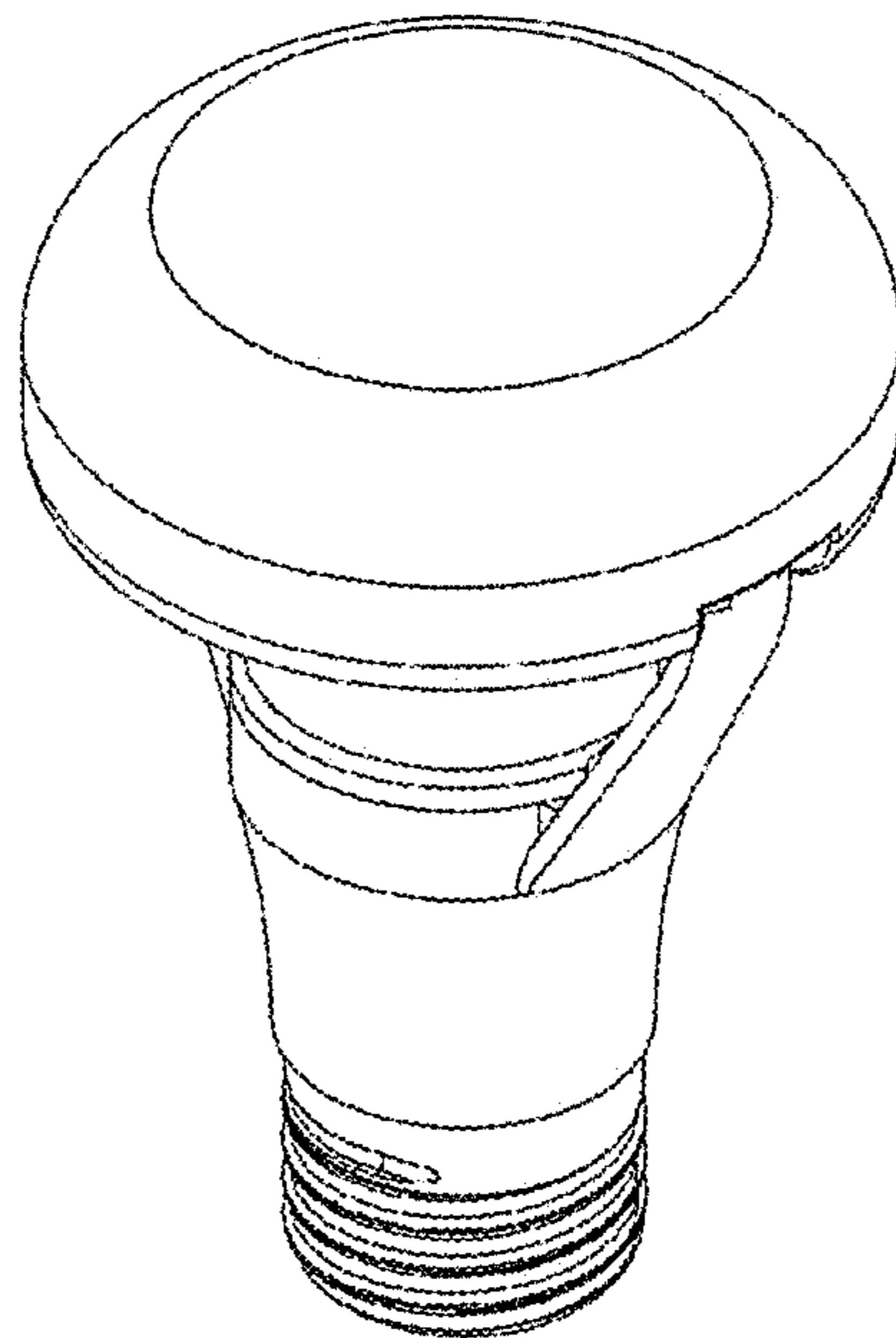


Fig. 7