



US00D831861S

(12) **United States Design Patent**
Brand et al.

(10) **Patent No.:** **US D831,861 S**
(45) **Date of Patent:** **** Oct. 23, 2018**

(54) **ROOFTOP FRAME**

(71) Applicant: **Solar Century Holdings Limited,**
London (GB)

(72) Inventors: **Ryan Brand,** London (GB); **Hannah Rose Eastwell,** Tonbridge (GB); **Steven Eltringham,** Redditch (GB); **Jonathan Charles Sturgeon,** London (GB); **Peter Italiano,** London (GB)

(73) Assignee: **Solar Century Holdings Limited,**
London (GB)

(**) Term: **15 Years**

(21) Appl. No.: **29/553,742**

(22) Filed: **Feb. 4, 2016**

(51) **LOC (11) Cl.** **25-01**

(52) **U.S. Cl.**
USPC **D25/139**

(58) **Field of Classification Search**
USPC **D25/138-163**

(Continued)

(56) **References Cited**

U.S. PATENT DOCUMENTS

4,372,292 A * 2/1983 Ort F24J 2/045
126/569
4,936,063 A * 6/1990 Humphrey E04D 13/031
126/623

(Continued)

OTHER PUBLICATIONS

Sunstation Solar Panels (on-line), no date available. Retrieved from Internet Sep. 12, 2017, URL: <http://www.solarcentury.com/homes-uk/sunstation/> (3 pages).*

Primary Examiner — Vy N Koenig
Assistant Examiner — Kimberly Barnes

(74) *Attorney, Agent, or Firm* — James C. Wray; Meera P. Narasimhan

(57) **CLAIM**

The ornamental design for a rooftop frame, as shown and described.

DESCRIPTION

FIG. 1 is a perspective view of the rooftop frame showing top, front and right side.

FIG. 2 is a top view of the rooftop frame shown in FIG. 1. FIG. 3 is a perspective view of the rooftop frame shown in FIG. 2, showing bottom, front and left side.

FIG. 4 is a bottom view of the rooftop frame shown in FIG. 3.

FIG. 5 is a left side view of the rooftop frame shown in FIGS. 1 to 4.

FIG. 6 is a foreshortened detail of the left side view of the rooftop frame shown in FIG. 5.

FIG. 7 is a right side view of the rooftop frame shown in FIGS. 1 to 4.

FIG. 8 is a foreshortened detail of the right side view of the rooftop frame shown in FIG. 7.

FIG. 9 is a rear view of the rooftop frame shown in FIGS. 1 to 4.

FIG. 10 is a foreshortened detail of the rear view of the rooftop frame shown in FIG. 9.

FIG. 11 is a front view of the rooftop frame shown in FIGS. 1 to 4.

FIG. 12 is a foreshortened detail of the front view of the rooftop frame shown in FIG. 11.

FIG. 13 is an enlarged detail of the left side of FIG. 12 for clarity of illustration.

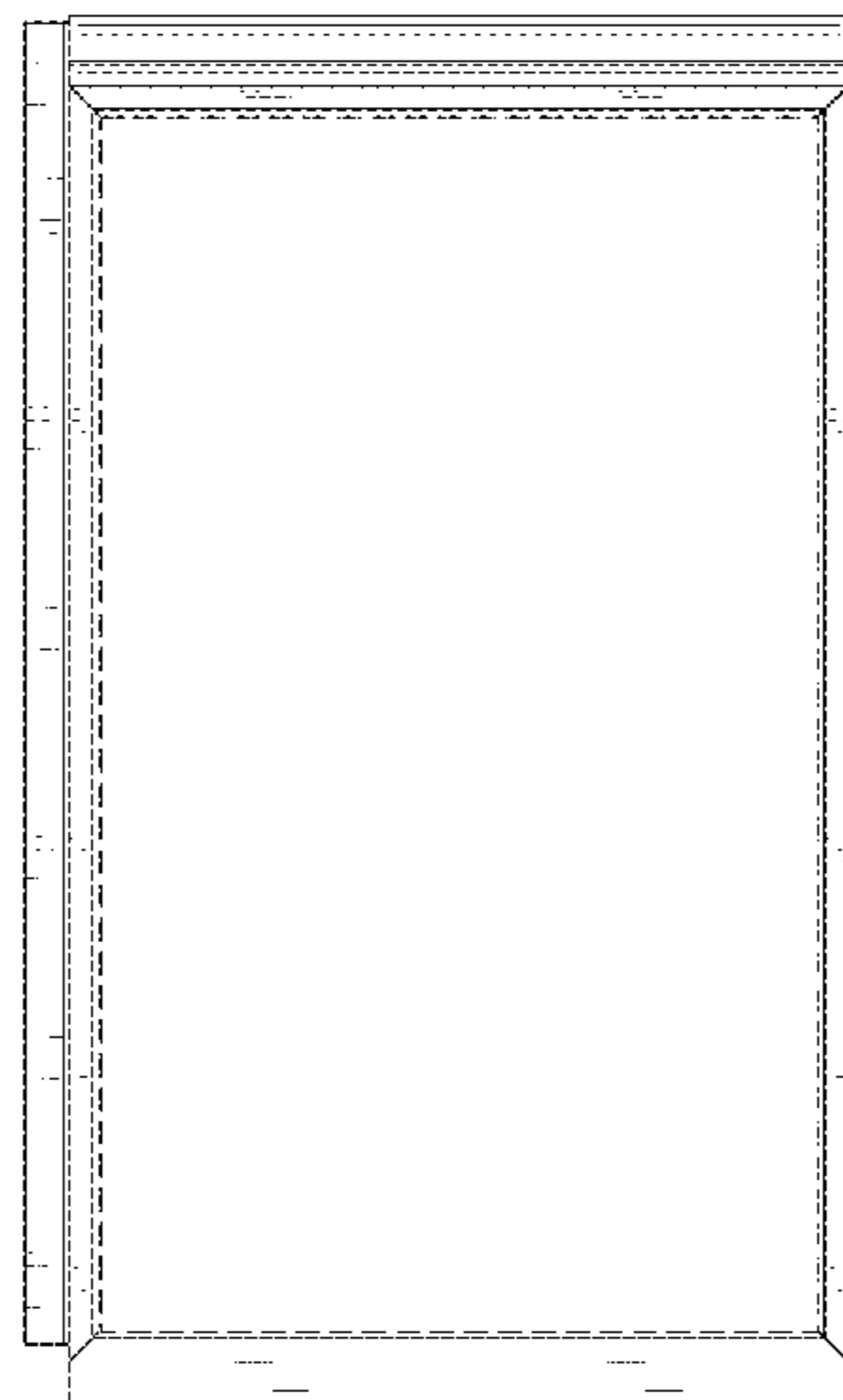
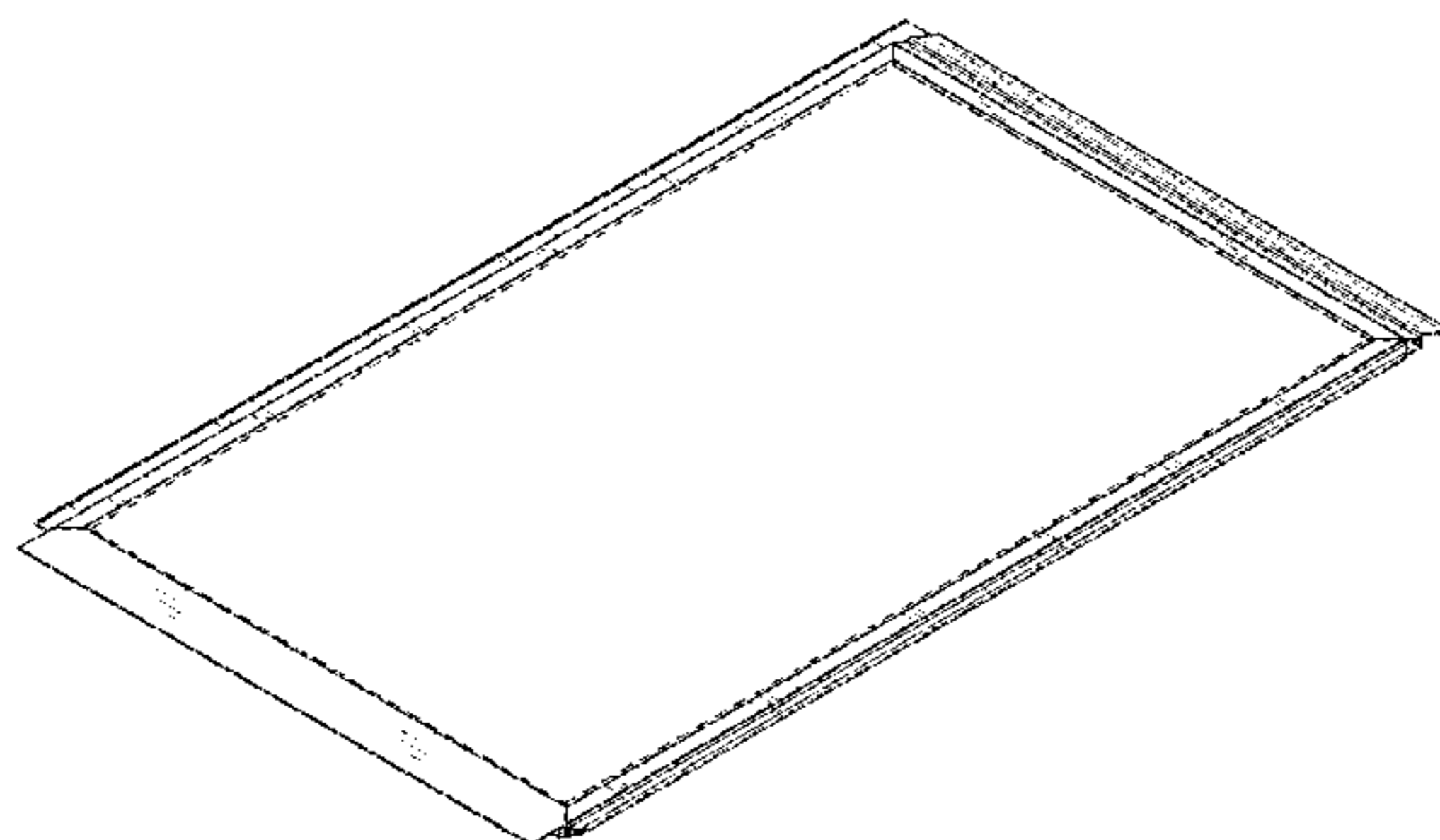
FIG. 14 is an enlarged detail of the right side of FIG. 12 for clarity of illustration.

FIG. 15 is an enlarged detail of the left side of FIG. 6 for clarity of illustration; and,

FIG. 16 is an enlarged detail of the right side of FIG. 6 for clarity of illustration.

The broken lines in the figures represent portions of the rooftop frame that form no part of the claimed design.

1 Claim, 12 Drawing Sheets



(58) **Field of Classification Search**

CPC F24J 2002/0053; F24J 2002/0061; F24J
2002/1095; F24J 2002/261; F24J
2002/263; F24J 2002/4661; F24J 2/0422;
F24J 2/0455; F24J 2/16; F24J 2/22; F24J
2/26; F24J 2/5205; F24J 2/5211; E04D
3/24

See application file for complete search history.

(56) **References Cited**

U.S. PATENT DOCUMENTS

5,497,587 A * 3/1996 Hirai F24J 2/045
136/251
D631,172 S 1/2011 Pagryzinski
7,900,407 B2 * 3/2011 Plaisted F24J 2/045
136/244

D643,548 S * 8/2011 Wakefield D25/140
8,991,116 B2 * 3/2015 Richardson F24J 2/045
52/173.3
9,337,770 B2 * 5/2016 Okuda F24J 2/4614
2011/0314753 A1 * 12/2011 Farmer F24J 2/045
52/173.3
2012/0240490 A1 * 9/2012 Gangemi F24J 2/4636
52/173.3
2013/0213458 A1 * 8/2013 Tsujimoto H01L 31/0424
136/251
2014/0158184 A1 * 6/2014 West F24J 2/4609
136/251
2015/0256125 A1 * 9/2015 Kouyanagi F24J 2/4614
136/251
2016/0254776 A1 * 9/2016 Rodrigues H02S 20/23
52/173.3

* cited by examiner

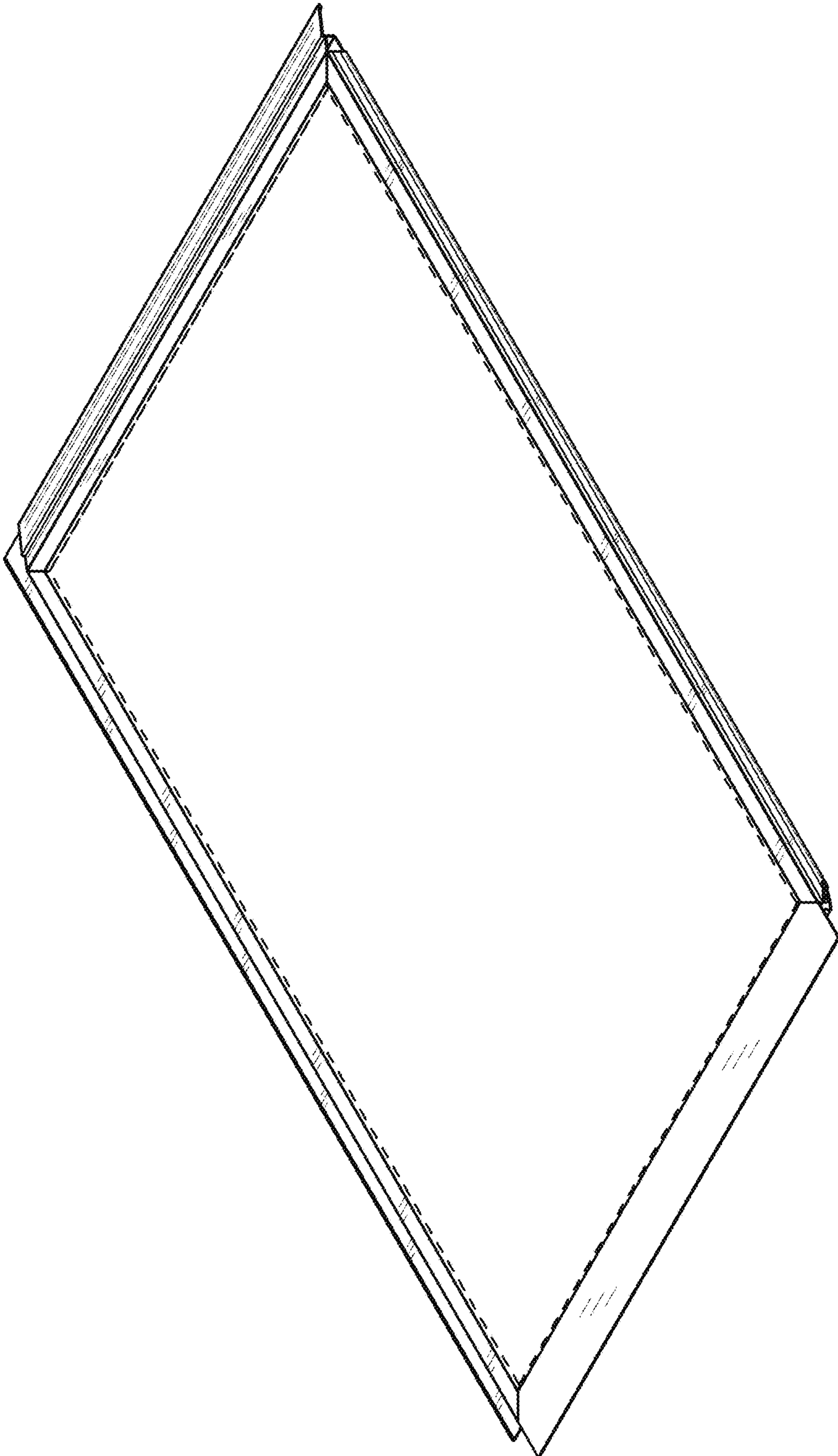


FIG. 1

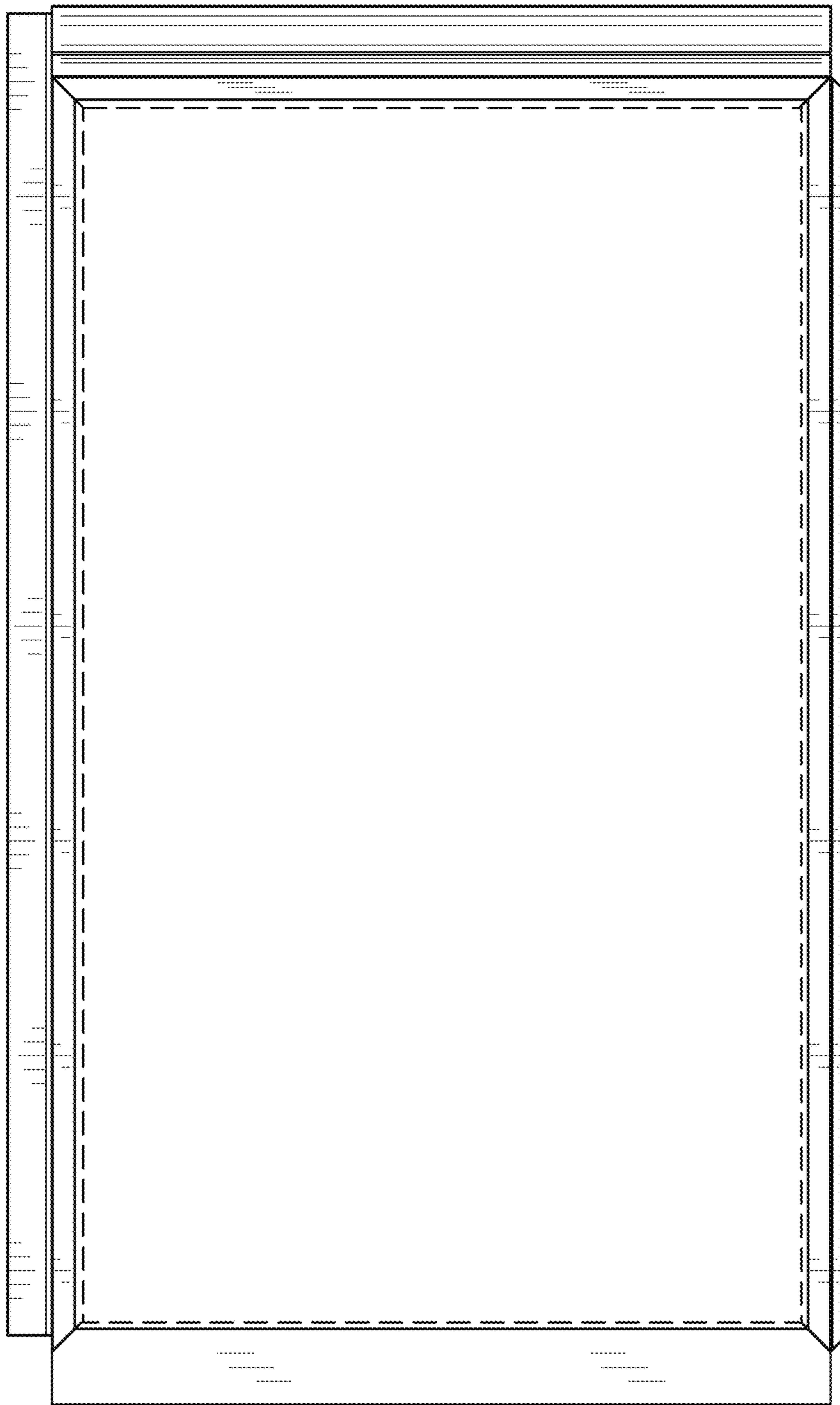


FIG. 2

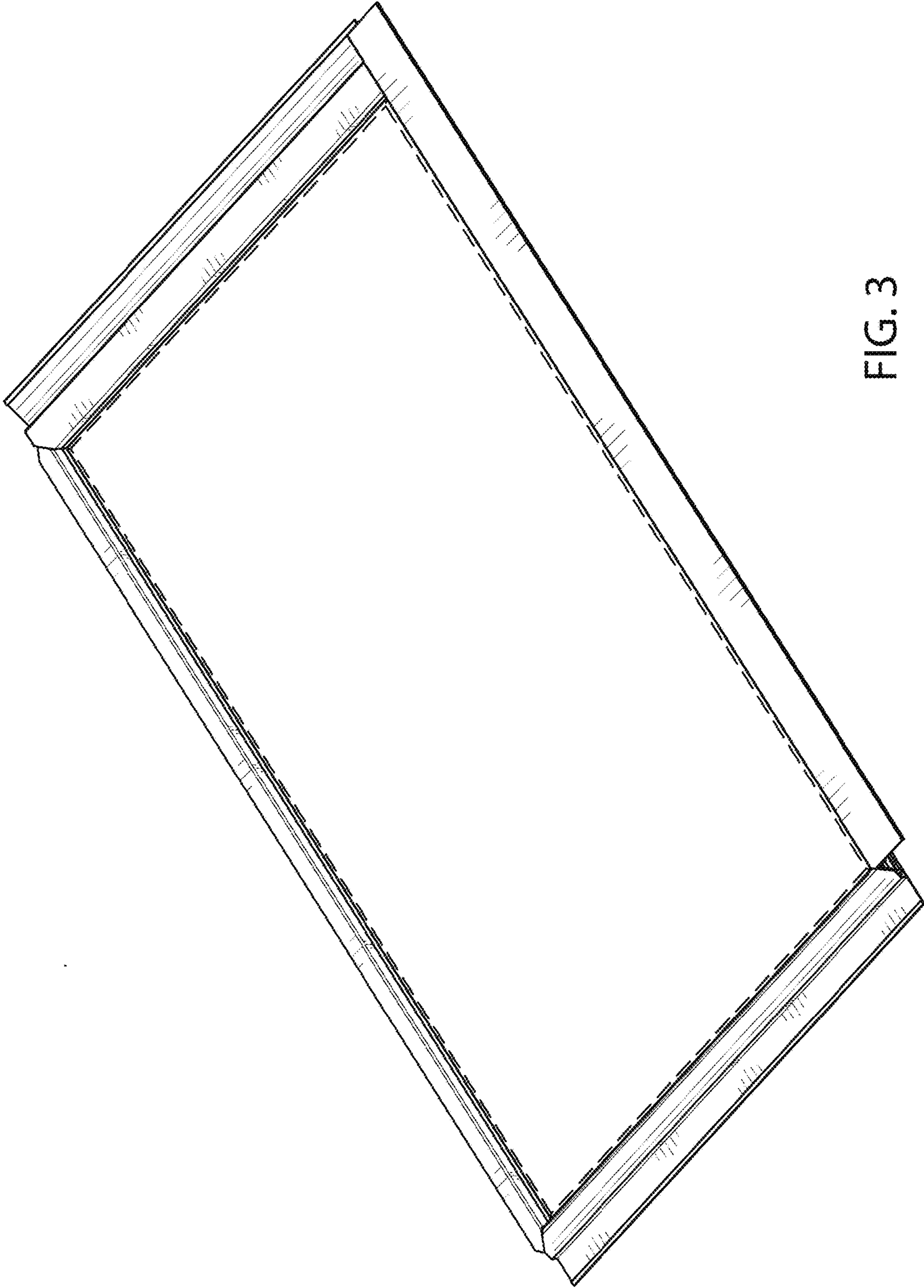


FIG. 3

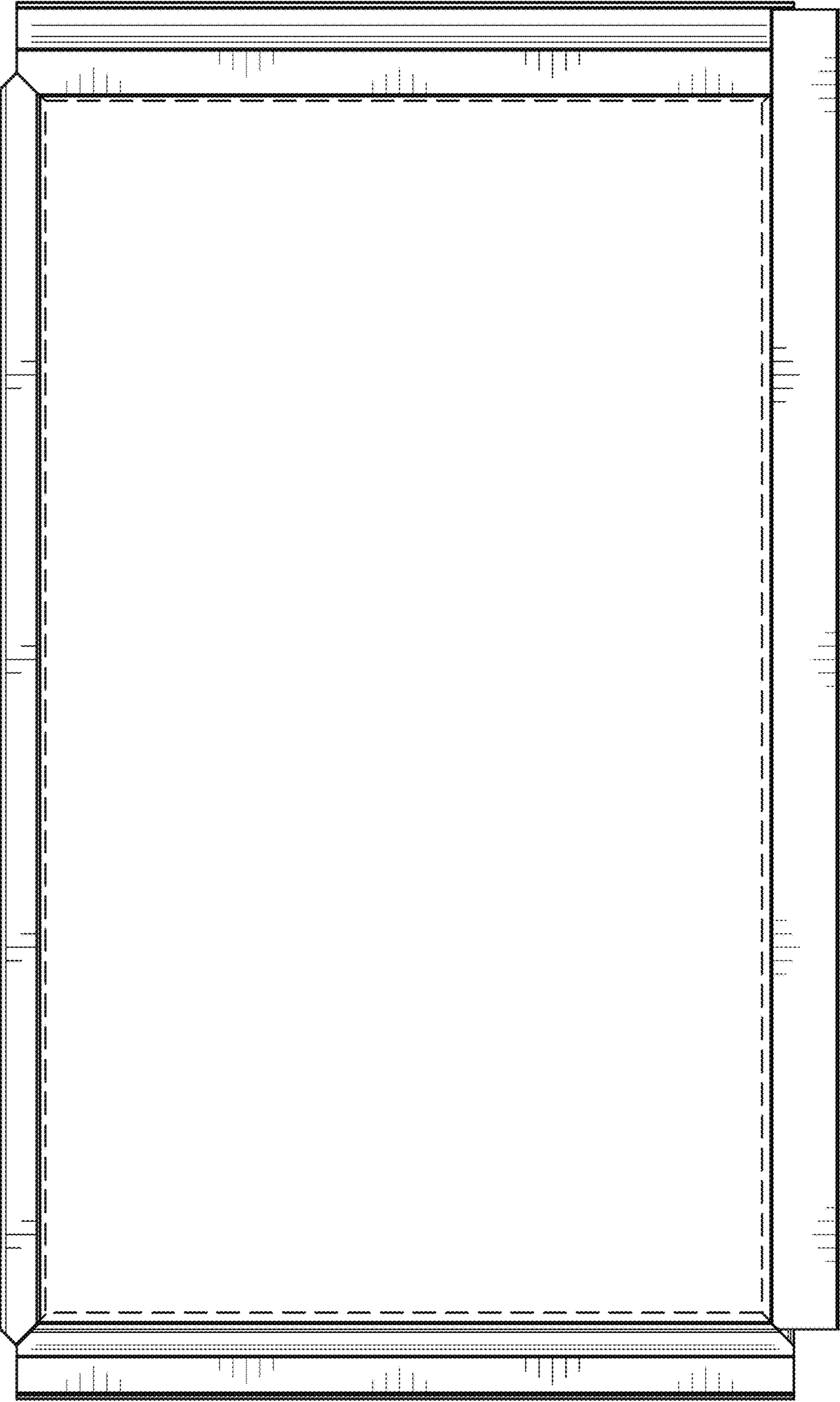


FIG. 4

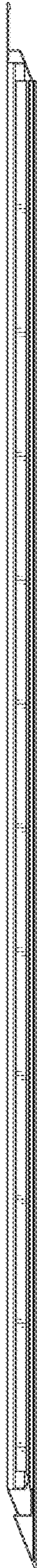


FIG. 5

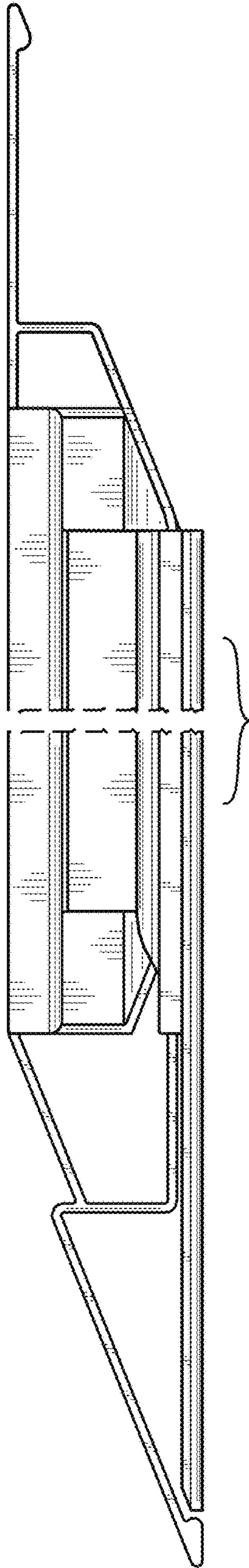


FIG. 6

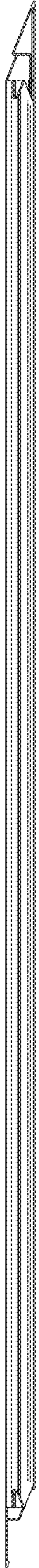


FIG. 7

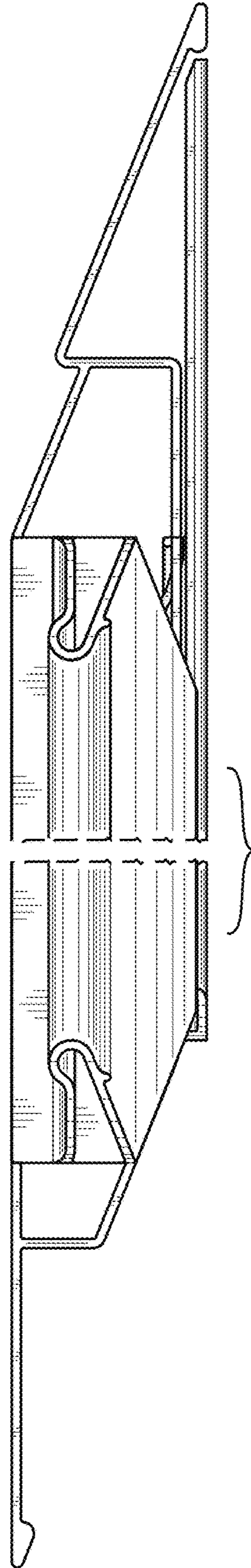


FIG. 8



FIG. 9

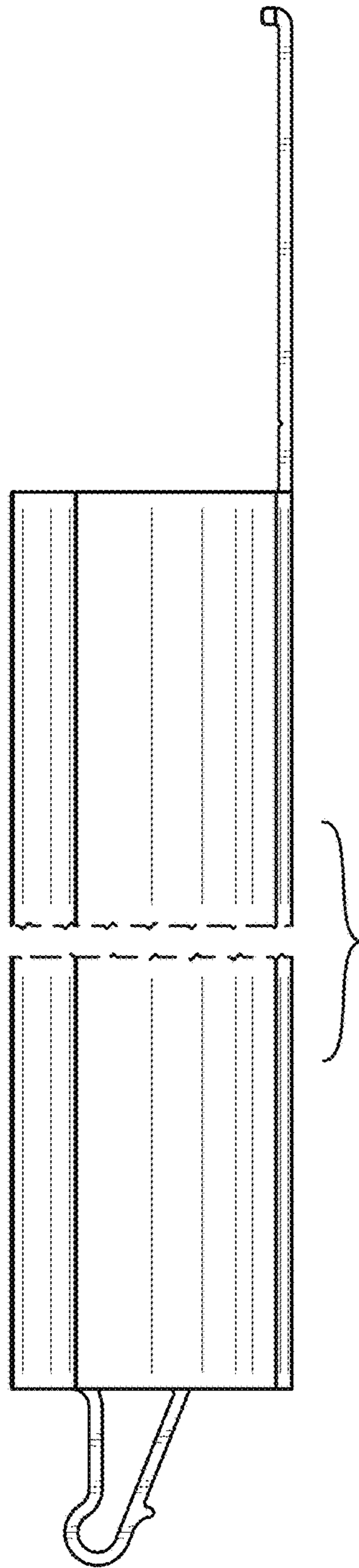


FIG. 10



FIG. 11

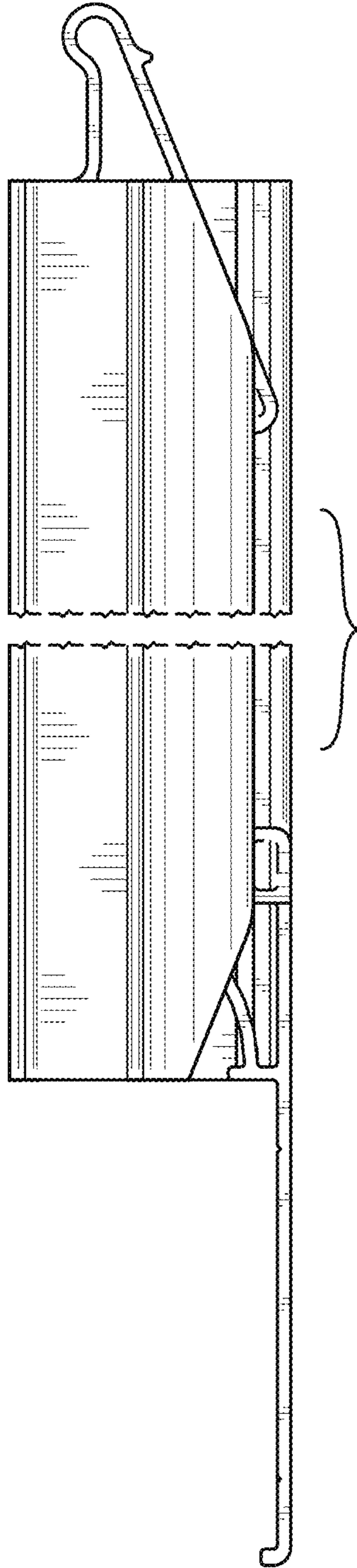


FIG. 12

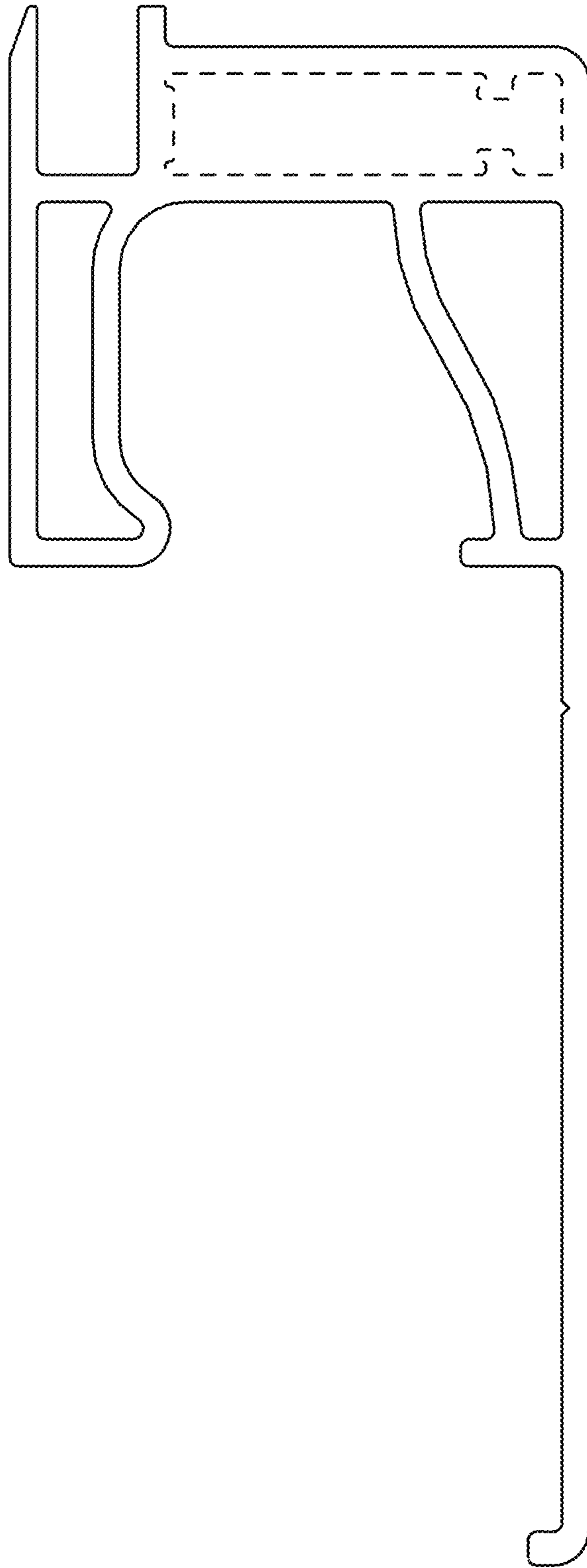


FIG. 13

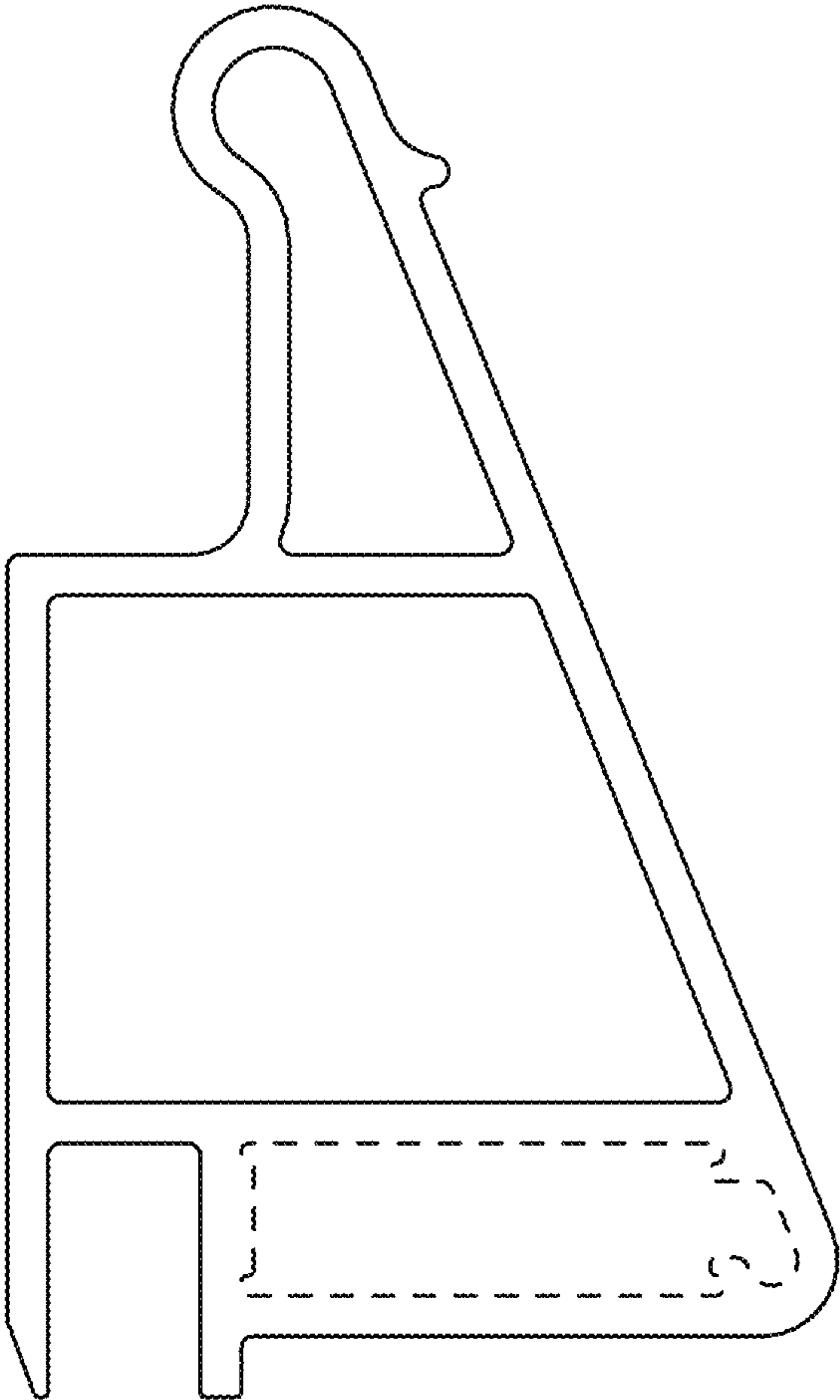


FIG. 14

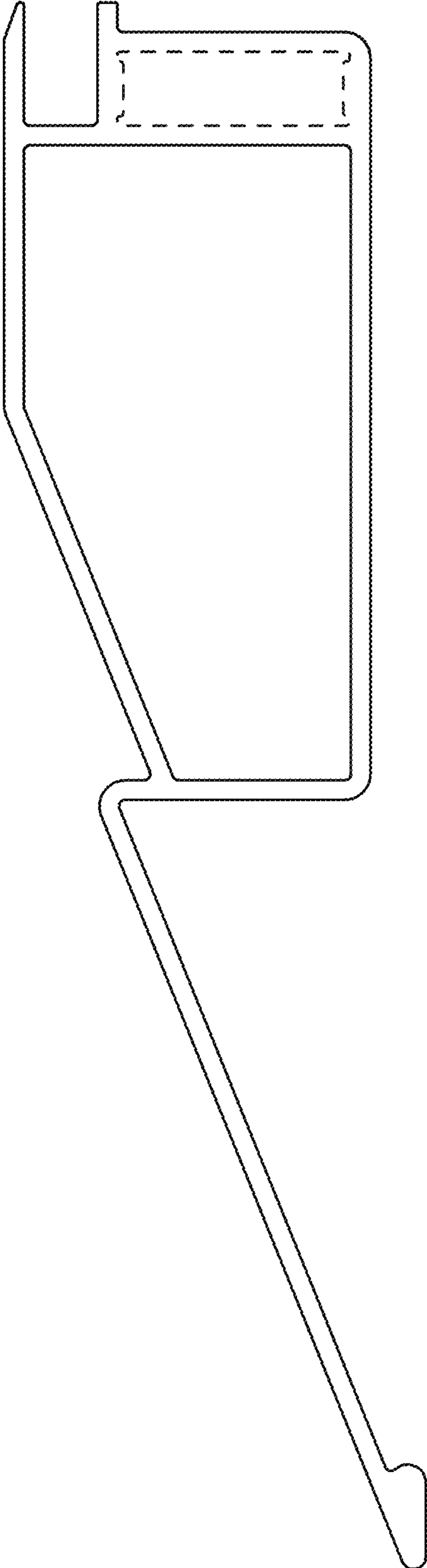


FIG. 15

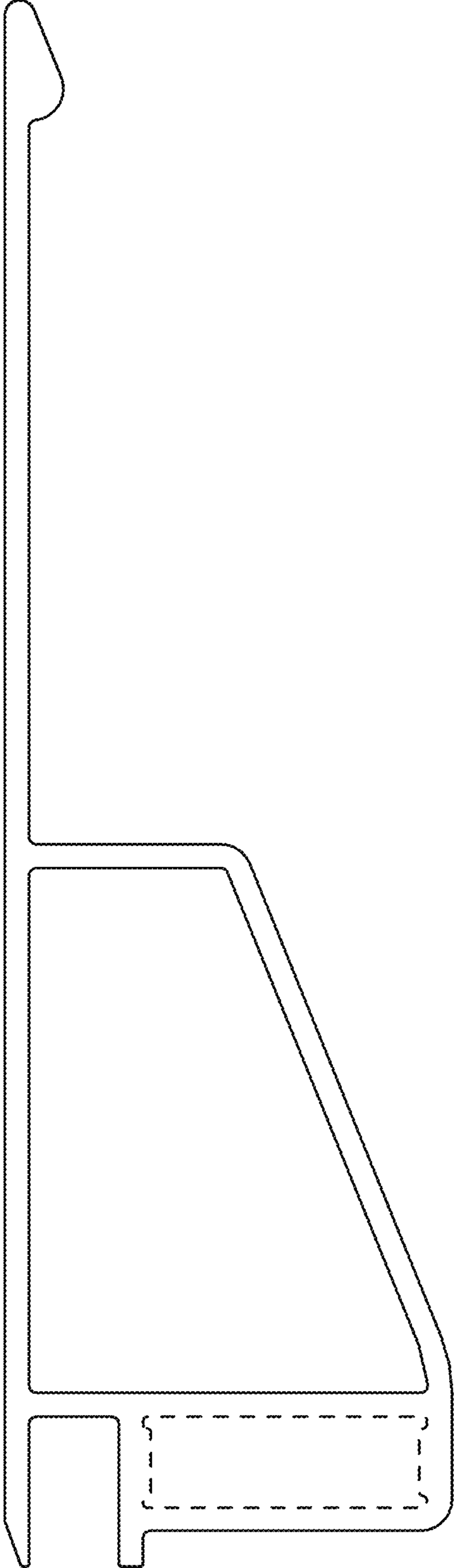


FIG. 16