



US00D831860S

(12) **United States Design Patent**
MacKarvich

(10) **Patent No.:** **US D831,860 S**

(45) **Date of Patent:** **** Oct. 23, 2018**

(54) **HANDRAIL BASE**

(71) Applicant: **Charles J. MacKarvich**, Atlanta, GA
(US)

(72) Inventor: **Charles J. MacKarvich**, Atlanta, GA
(US)

(**) Term: **15 Years**

(21) Appl. No.: **29/616,098**

(22) Filed: **Sep. 1, 2017**

(51) **LOC (11) Cl.** **25-01**

(52) **U.S. Cl.**

USPC **D25/133**; D25/38.1

(58) **Field of Classification Search**

USPC D25/38.1, 46, 48, 35, 11, 126-135;
256/63, 64, 65.01, 65.03, 65.05, 65.06,
256/65.14; D8/315, 349, 351, 352, 353,
D8/354, 355, 356, 363

CPC E04H 12/2261; E04H 12/2269; E04H
17/1421; E04H 17/22; E04H 17/16; E01F
9/692; E04C 3/32; E04F 11/1812; E04F
11/1865; E04G 1/38; E04G 2005/148;
E04G 21/3219; E04G 21/3223; Y10S
256/06

See application file for complete search history.

(56) **References Cited**

U.S. PATENT DOCUMENTS

D520,649 S * 5/2006 Hansort D25/133
D521,159 S * 5/2006 Hansort D25/133
D554,474 S * 11/2007 Miller D8/349

D556,015 S * 11/2007 Muchnik D8/349
7,338,033 B2 * 3/2008 Anson E01F 13/022
256/59
D599,915 S * 9/2009 Godwin E04C 3/32
D25/133
D757,520 S * 5/2016 Pratt D8/349
D758,609 S 6/2016 Schindler
D767,167 S * 9/2016 Masuda D25/133
D810,965 S * 2/2018 Whiteley D25/133
D813,647 S * 3/2018 Burmeister-Brown D8/353
2005/0056741 A1 * 3/2005 Higgs E04G 21/3233
248/188.8
2015/0041744 A1 * 2/2015 Higgs E01F 13/022
256/65.01
2017/0152674 A1 * 6/2017 MacKarvich E04G 21/3238

* cited by examiner

Primary Examiner — Cathron C Brooks

Assistant Examiner — Samantha Q. Lawrence

(74) *Attorney, Agent, or Firm* — Taylor English Duma
LLP

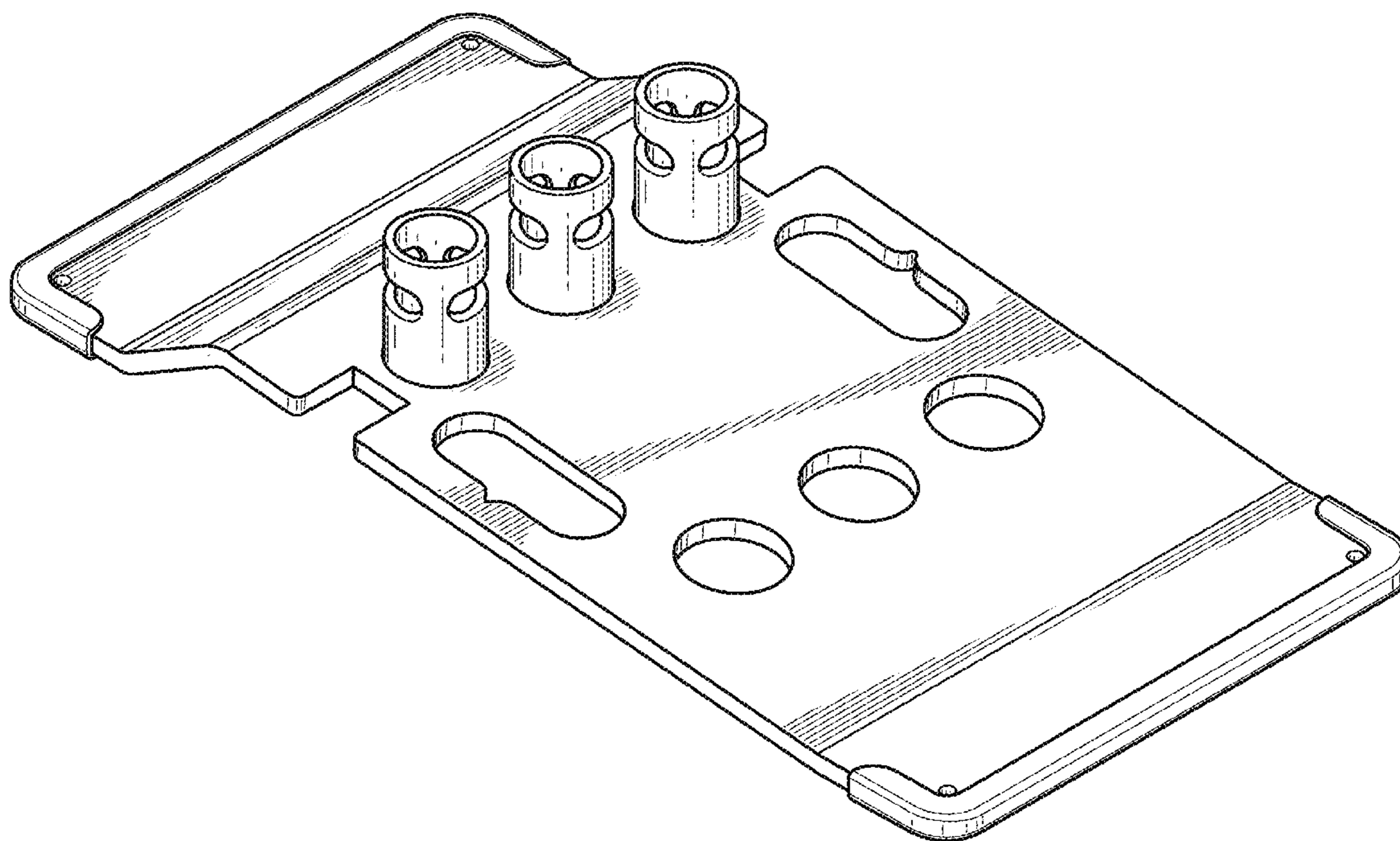
(57) **CLAIM**

I claim the ornamental design for a handrail base, as shown
and described.

DESCRIPTION

FIG. 1 is a perspective view of the claimed design.
FIG. 2 is a rear elevation view thereof.
FIG. 3 is a front elevation view thereof.
FIG. 4 is a left-side elevation view thereof.
FIG. 5 is a right-side elevation view thereof.
FIG. 6 is a top plan view thereof; and,
FIG. 7 is a bottom plan view thereof.

1 Claim, 5 Drawing Sheets



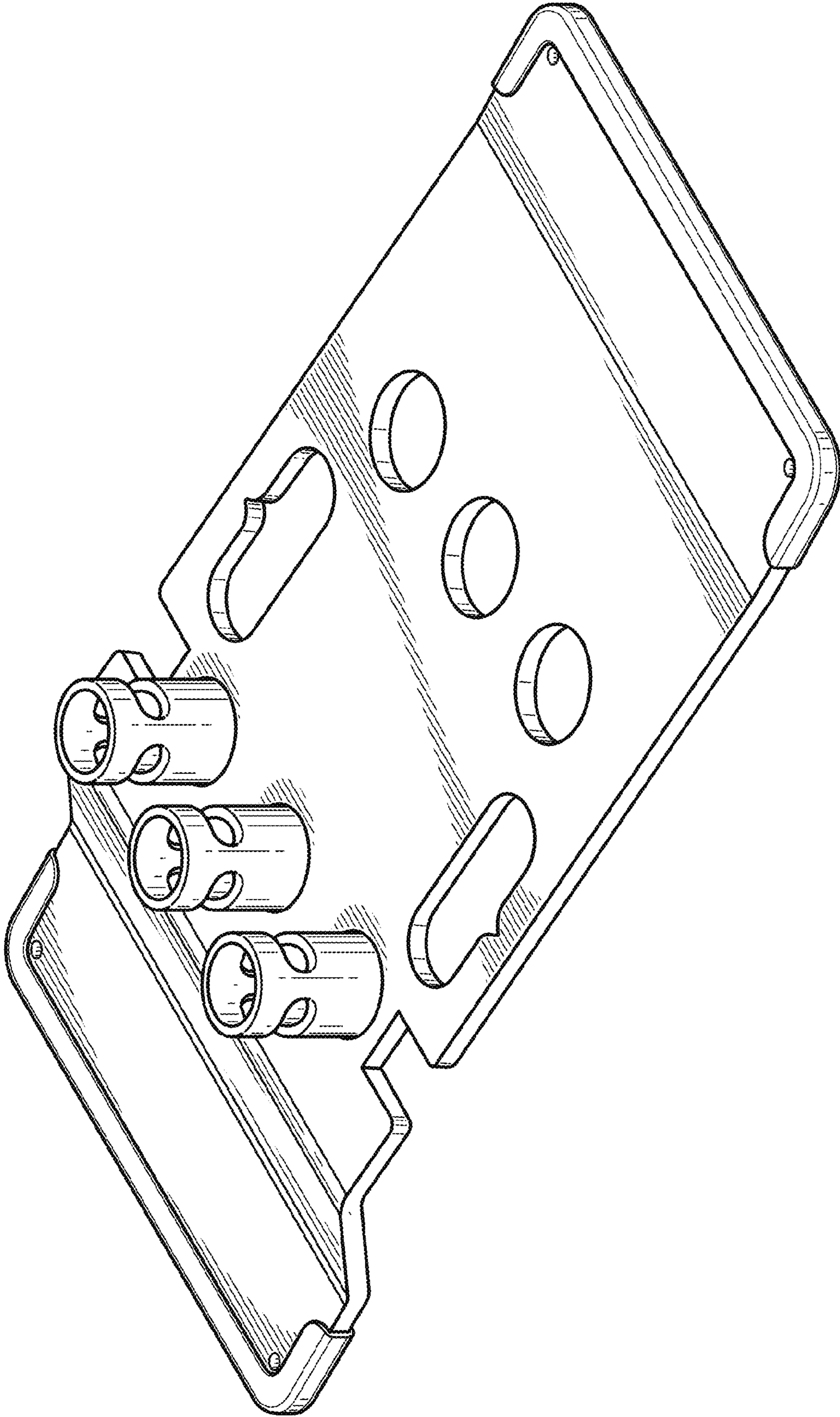


FIG. 1

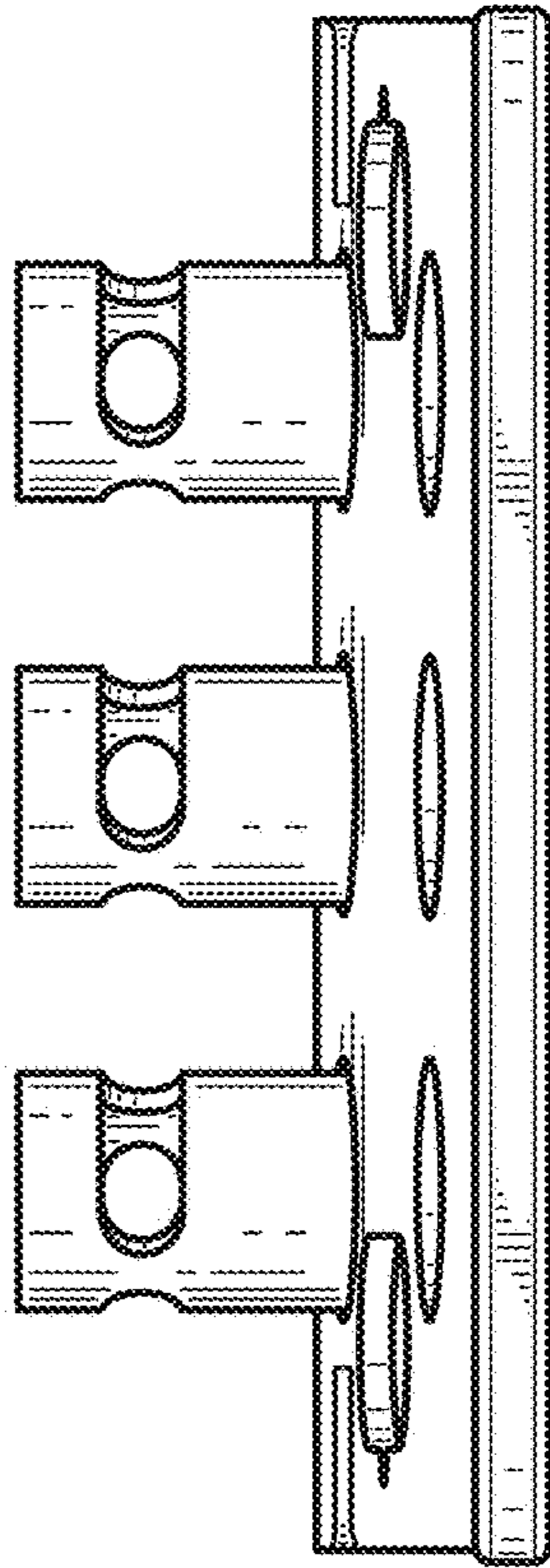


FIG. 3

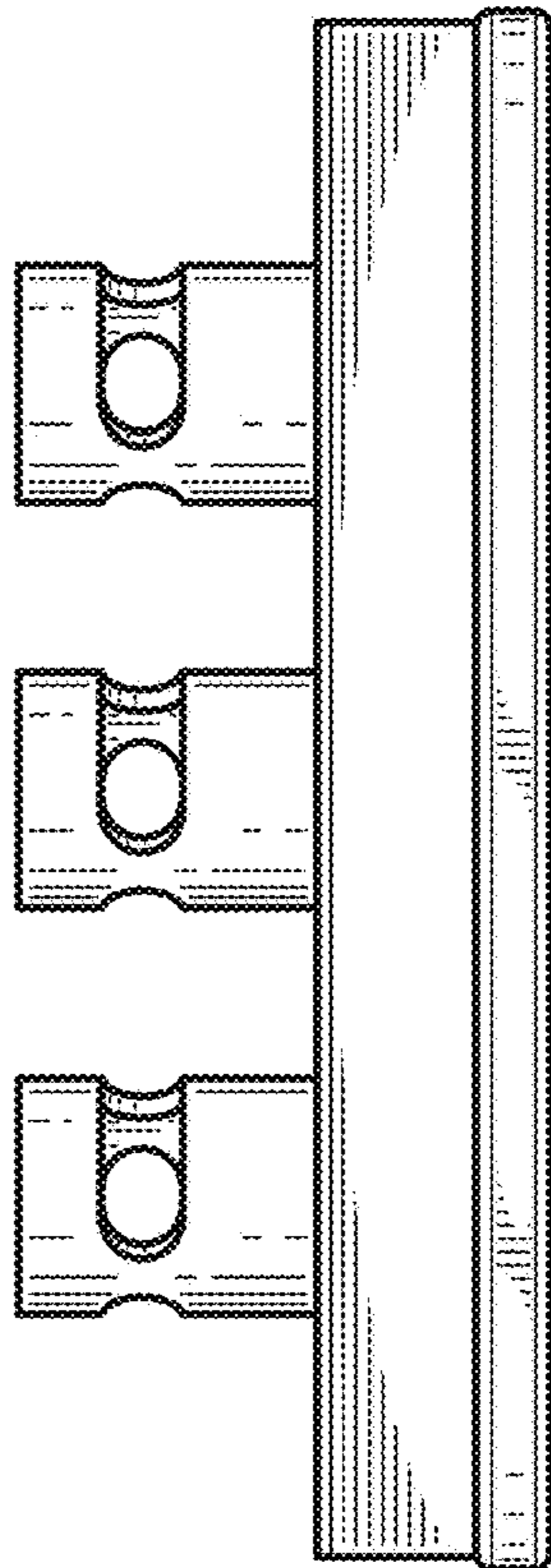


FIG. 2

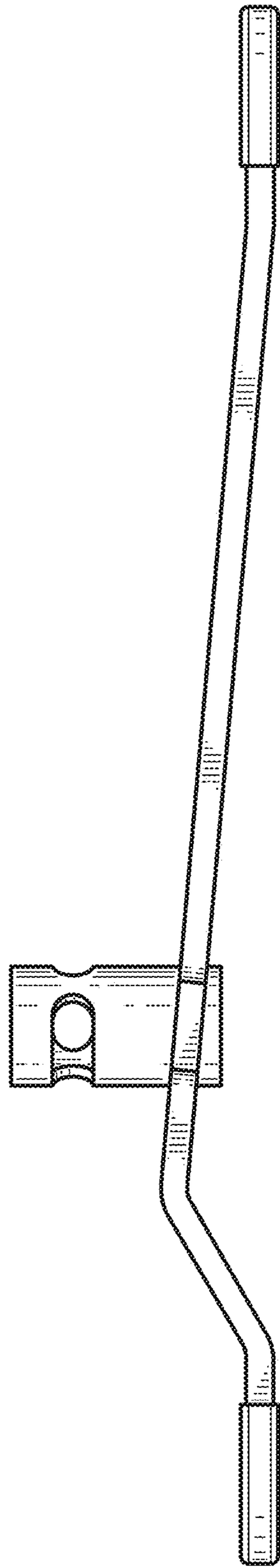


FIG. 4

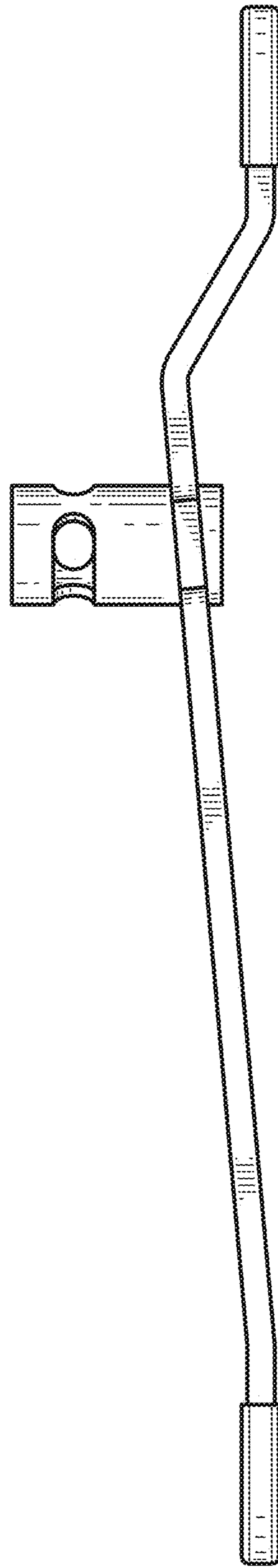


FIG. 5

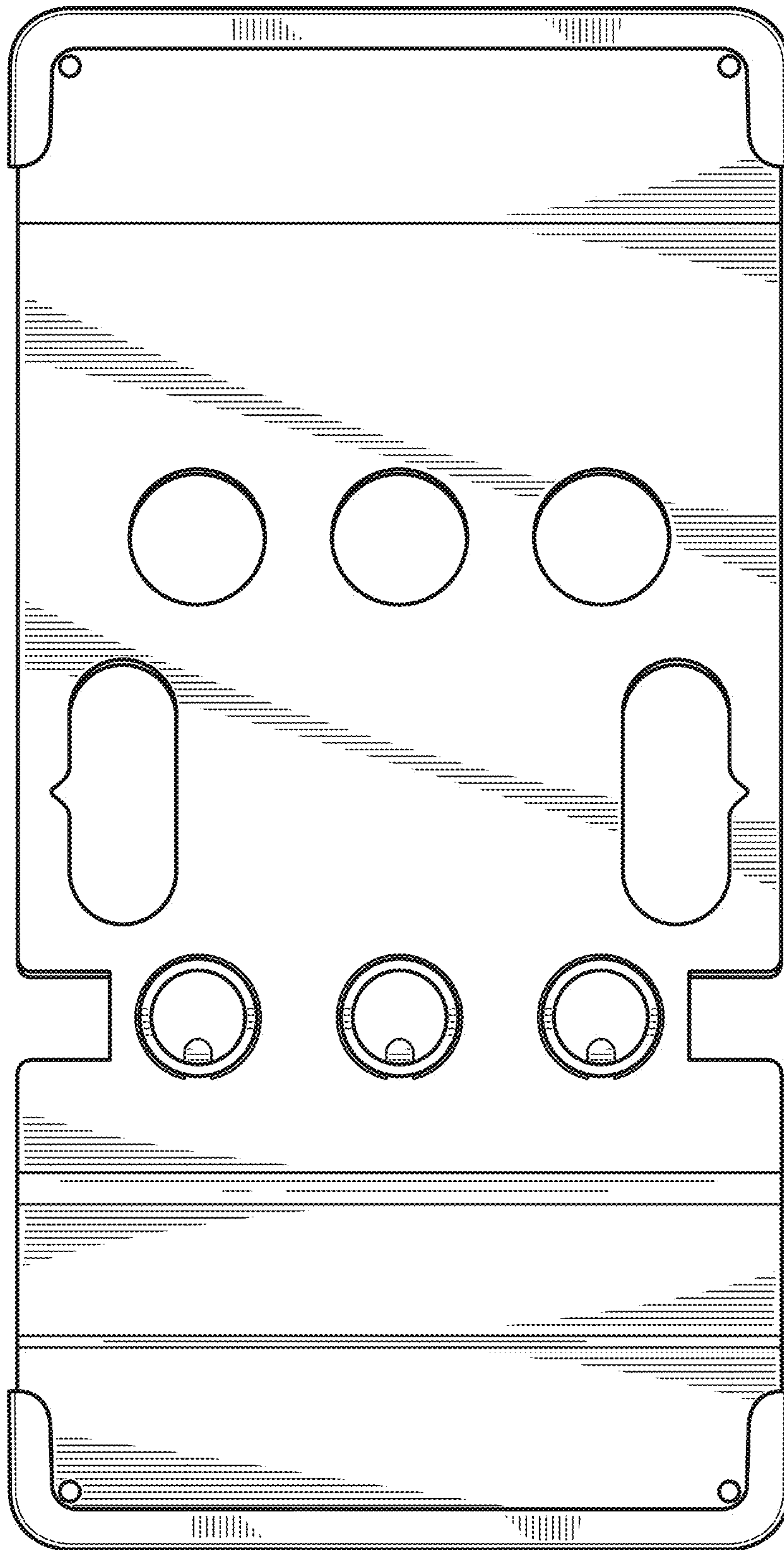


FIG. 6

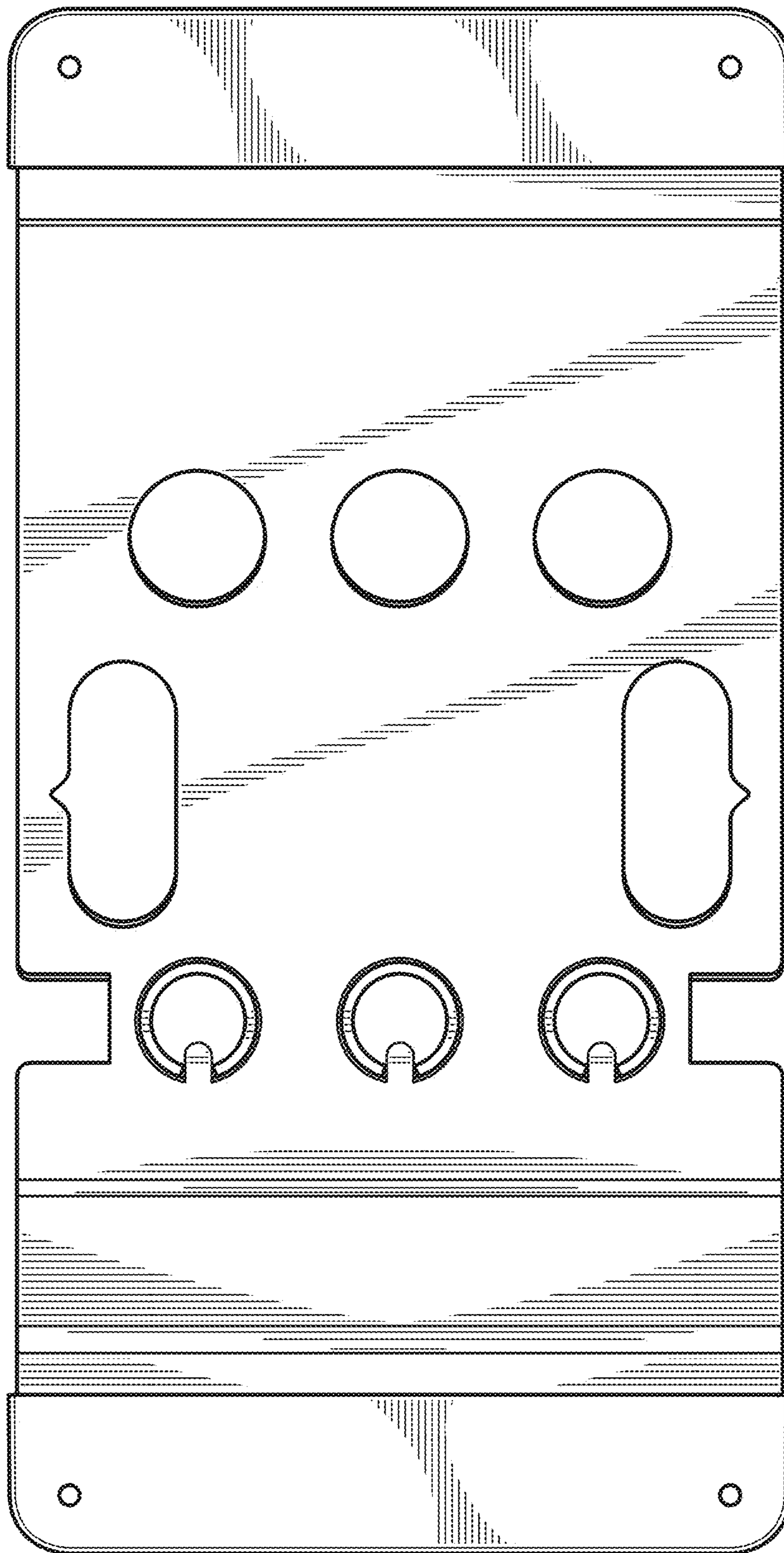


FIG. 7