



US00D831859S

(12) **United States Design Patent**  
**Marshall**

(10) **Patent No.:** **US D831,859 S**  
(45) **Date of Patent:** **\*\* Oct. 23, 2018**

(54) **WINDOW COMPONENT EXTRUSION**

(71) Applicant: **Chelsea Building Products, Inc.**,  
Oakmont, PA (US)

(72) Inventor: **Philip Marshall**, Pittsburgh, PA (US)

(73) Assignee: **Chelsea Building Products, Inc.**,  
Oakmont, PA (US)

(\*\*) Term: **15 Years**

(21) Appl. No.: **29/628,262**

(22) Filed: **Dec. 4, 2017**

(51) **LOC (11) Cl.** ..... **25-01**

(52) **U.S. Cl.**  
USPC ..... **D25/124**

(58) **Field of Classification Search**

USPC ..... D25/47.1, 48.2, 48.3, 55, 60, 119-126,  
D25/164, 199

CPC ..... E04F 19/02; E04F 19/022; E04F 19/024;  
E04F 19/026; E04F 19/028; E04F 19/04;  
E04F 19/0436; E04F 19/0459; E04F  
19/0463; E04F 19/0468; E04F 19/0481;  
E04F 19/0486; E04F 19/049; E04F  
19/0495; E04F 19/06; E04F 19/061; E04F  
19/062; E04F 19/063; E04F 19/064; E04F  
19/065; E04F 19/066; E04F 19/067; E04F  
19/068; E04F 2019/0413; E04F  
2019/0454; E06B 1/00; E06B 1/02; E06B  
1/04; E06B 1/045; E06B 1/12; E06B  
1/26; E06B 1/28; E06B 1/30; E06B 1/32;  
E06B 1/34; E06B 1/342; E06B 1/36;  
E06B 1/52; E06B 3/30; E06B 3/301;  
E06B 3/96; E06B 3/9604; E06B 3/9612;  
E06B 3/9628

See application file for complete search history.

(56) **References Cited**

**U.S. PATENT DOCUMENTS**

D325,992 S \* 5/1992 Valentin ..... D25/124  
D344,600 S \* 2/1994 Bancroft ..... D25/124

D364,691 S \* 11/1995 Goss, Jr. .... D25/124  
D374,093 S \* 9/1996 Hart ..... D25/124  
D375,807 S \* 11/1996 Goss ..... D25/124  
D381,088 S \* 7/1997 DiGiorgio ..... D25/124  
D384,754 S \* 10/1997 Goss ..... D25/124  
D394,509 S \* 5/1998 Franson ..... D25/124  
D402,058 S \* 12/1998 Leonelli ..... D25/124  
D419,696 S \* 1/2000 DiGiorgio ..... D25/125  
D432,250 S \* 10/2000 Habeck ..... D25/124

(Continued)

*Primary Examiner* — Cynthia Ramirez

*Assistant Examiner* — L. Martinez-Rivera

(74) *Attorney, Agent, or Firm* — Vorys, Sater, Seymour  
and Pease LLP

(57) **CLAIM**

The ornamental design for a window component extrusion,  
as shown and described.

**DESCRIPTION**

FIG. 1 is an isometric view of a window component extru-  
sion according to the present disclosure.

FIG. 2 is a left side view of the window component extrusion  
of FIG. 1.

FIG. 3 is a right side view of the window component  
extrusion of FIG. 1.

FIG. 4 is a rear view of the window component extrusion of  
FIG. 1.

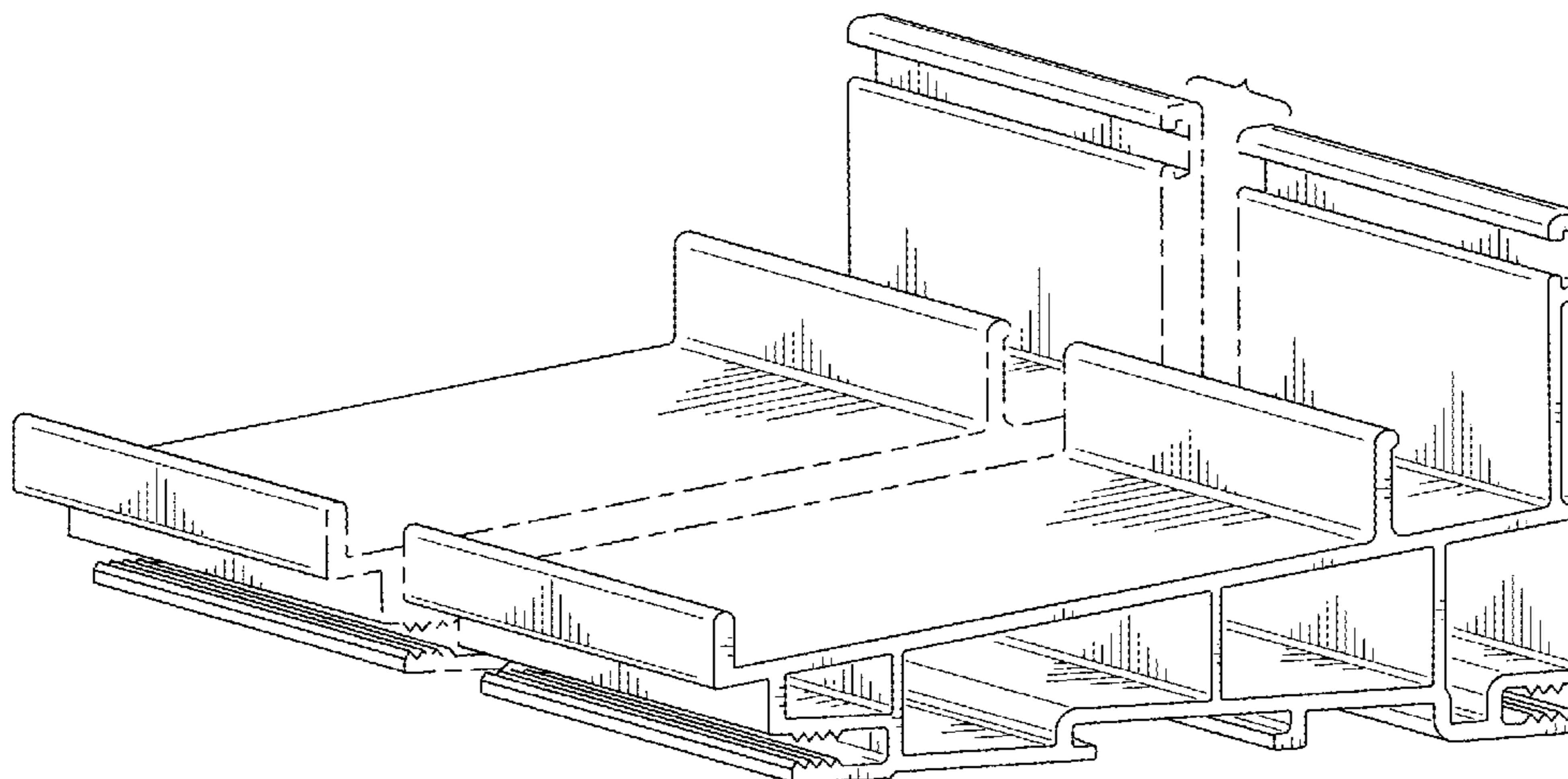
FIG. 5 is a front view of the window component extrusion  
of FIG. 1.

FIG. 6 is a top view of the window component extrusion of  
FIG. 1; and,

FIG. 7 is a bottom view of the window component extrusion  
of FIG. 1.

The window component extrusion is shown with two par-  
allel dash-dot break lines that represent the bounds of the  
claim. The appearance of any portion of the article between  
the break lines forms no part of the claimed design.

**1 Claim, 4 Drawing Sheets**



(56)

**References Cited**

## U.S. PATENT DOCUMENTS

D432,678	S	*	10/2000	Habeck	.....	D25/124
D436,672	S	*	1/2001	Habeck	.....	D25/124
D438,643	S	*	3/2001	Hauberg	.....	D25/124
D451,211	S	*	11/2001	Hauberg	.....	D25/124
D452,916	S	*	1/2002	Edger	.....	D25/124
D453,841	S	*	2/2002	Hauberg	.....	D25/124
D453,843	S	*	2/2002	Scalzott	.....	D25/124
D461,013	S	*	7/2002	Marshall	.....	D25/124
D466,622	S	*	12/2002	Ballard	.....	D25/124
D477,421	S	*	7/2003	Goss	.....	D25/124
D487,934	S	*	3/2004	Habeck	.....	D25/124
D487,935	S	*	3/2004	Habeck	.....	D25/124
D557,820	S	*	12/2007	Willman	.....	D25/124
D560,824	S	*	1/2008	Wickland	.....	D25/124
D572,381	S	*	7/2008	Willman	.....	D25/124
D583,075	S	*	12/2008	Campbell	.....	D25/124
D583,077	S	*	12/2008	Campbell	.....	D25/124
D591,434	S	*	4/2009	Campbell	.....	D25/124
D591,435	S	*	4/2009	Campbell	.....	D25/124
D592,763	S	*	5/2009	Campbell	.....	D25/124
D594,566	S	*	6/2009	Campbell	.....	D25/124
D594,567	S	*	6/2009	Campbell	.....	D25/124
D597,219	S	*	7/2009	Campbell	.....	D25/124
D597,221	S	*	7/2009	Campbell	.....	D25/124
D600,361	S	*	9/2009	Campbell	.....	D25/124
D691,741	S	*	10/2013	Kosonen	.....	D25/124
D693,028	S	*	11/2013	Wickland	.....	D25/124
D698,466	S	*	1/2014	Wickland	.....	D25/124
D713,059	S	*	9/2014	Decicio	.....	D25/124
D732,202	S	*	6/2015	Chaney	.....	D25/124
D780,331	S	*	2/2017	Marshall	.....	D25/124
D780,946	S	*	3/2017	Marshall	.....	D25/124

\* cited by examiner

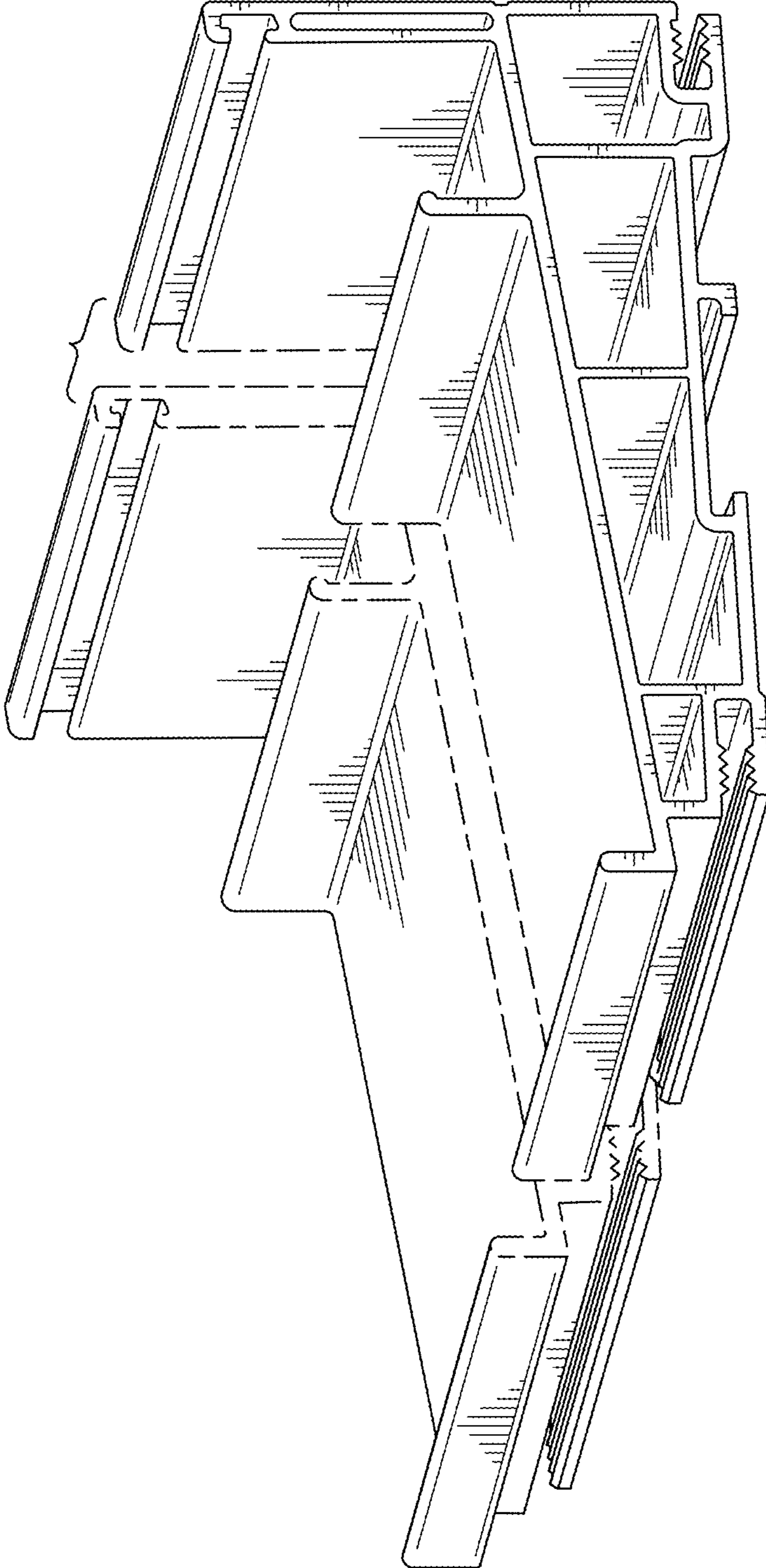
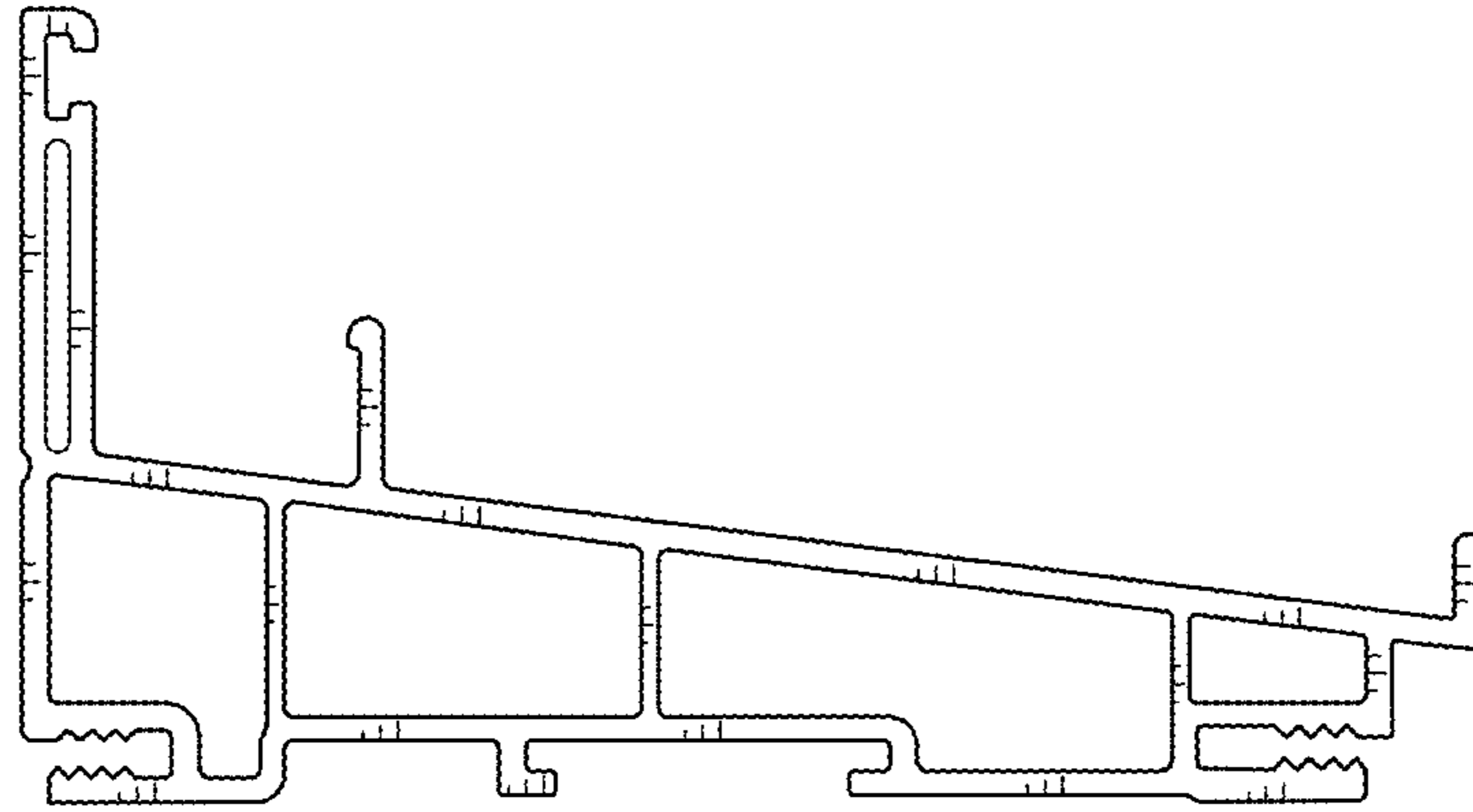
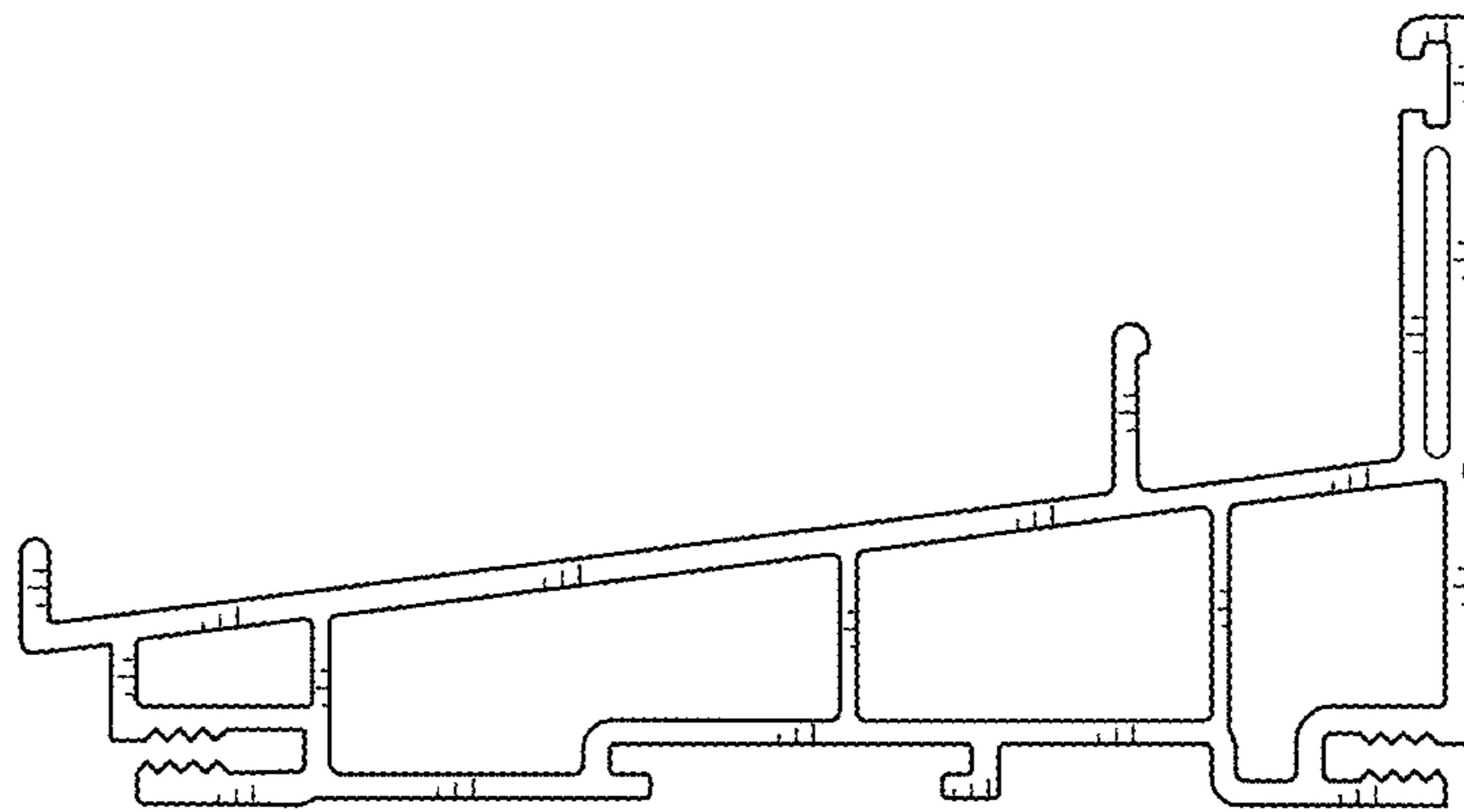


FIG. 1



*FIG. 2*



*FIG. 3*

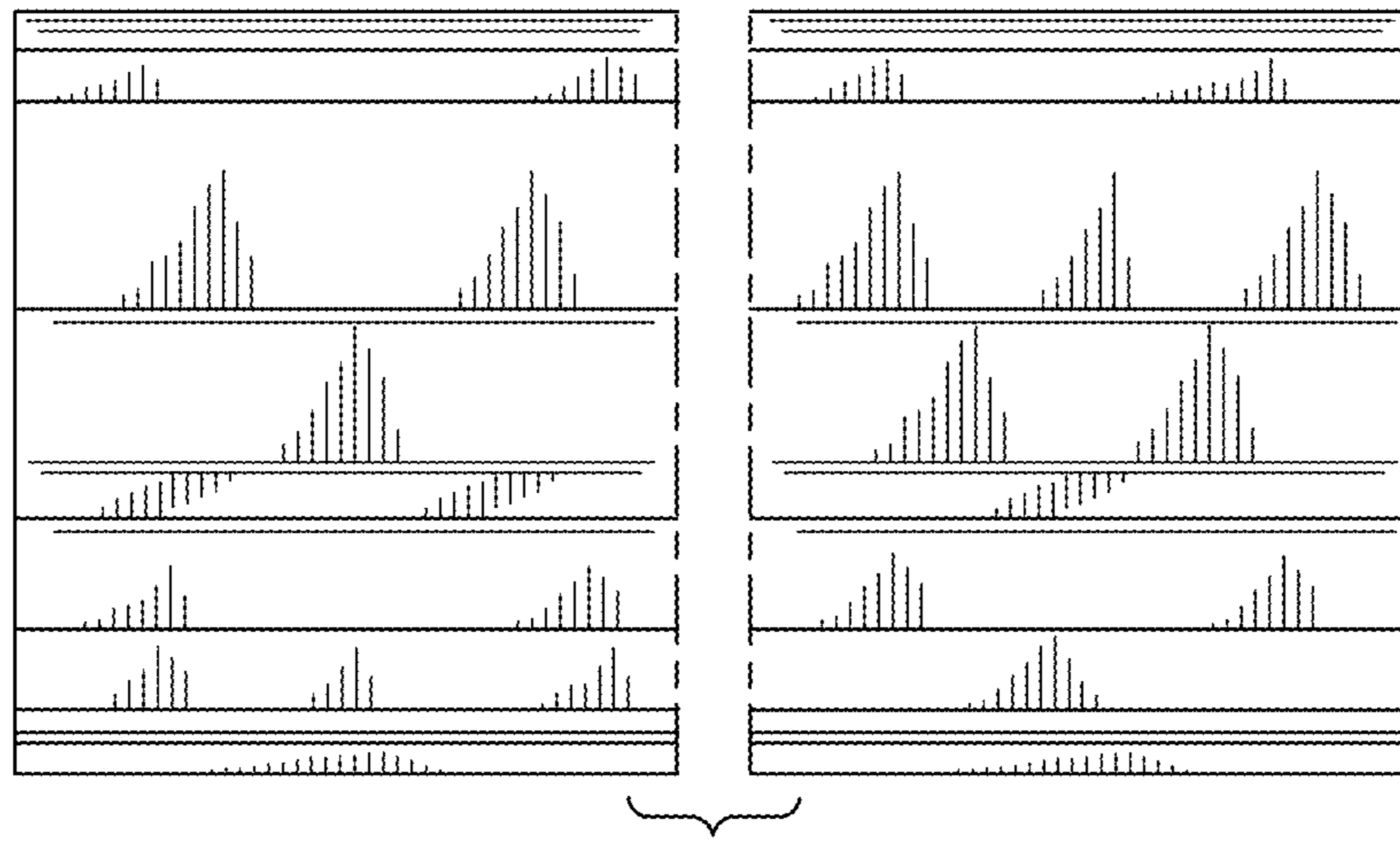


FIG. 4

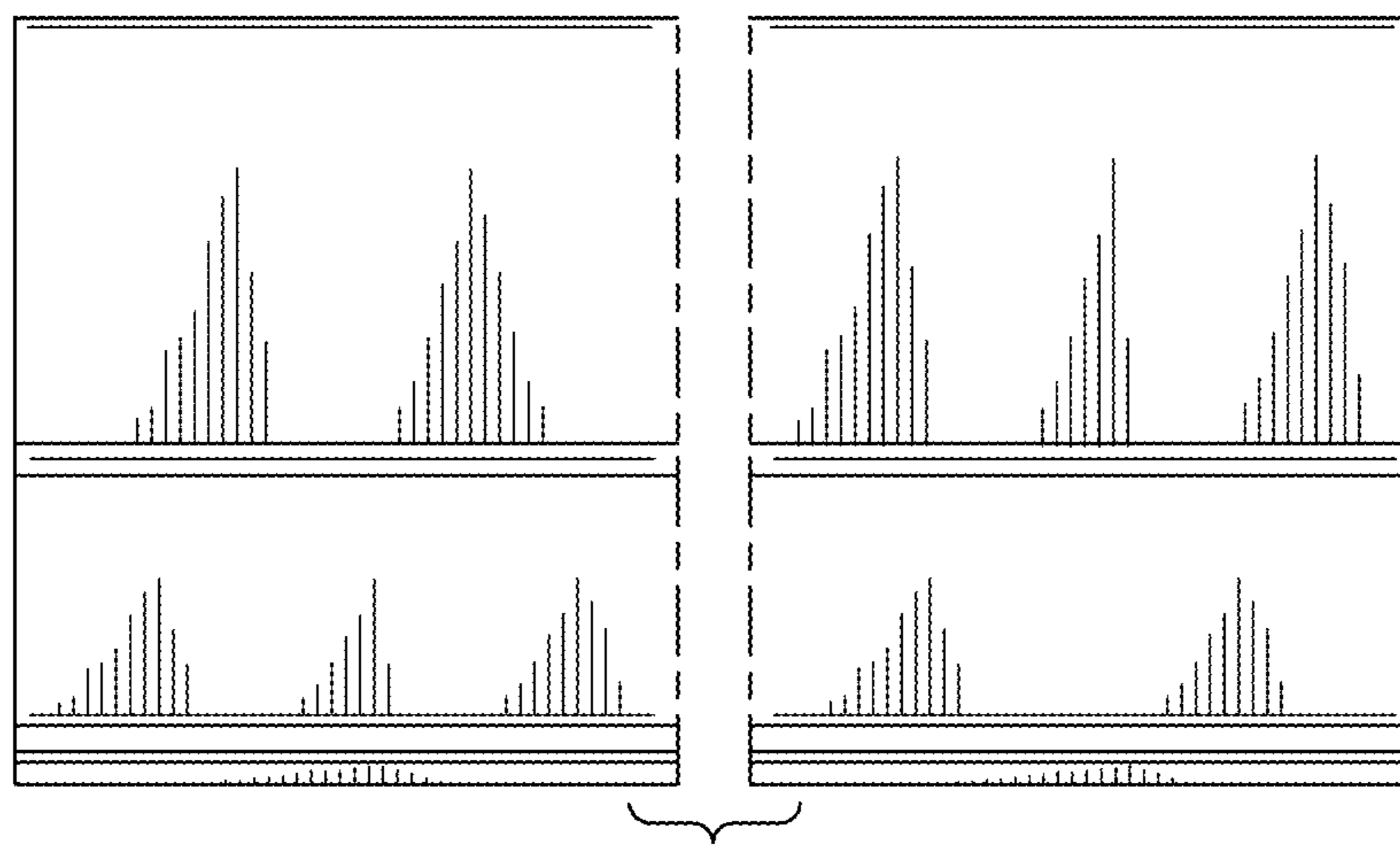


FIG. 5

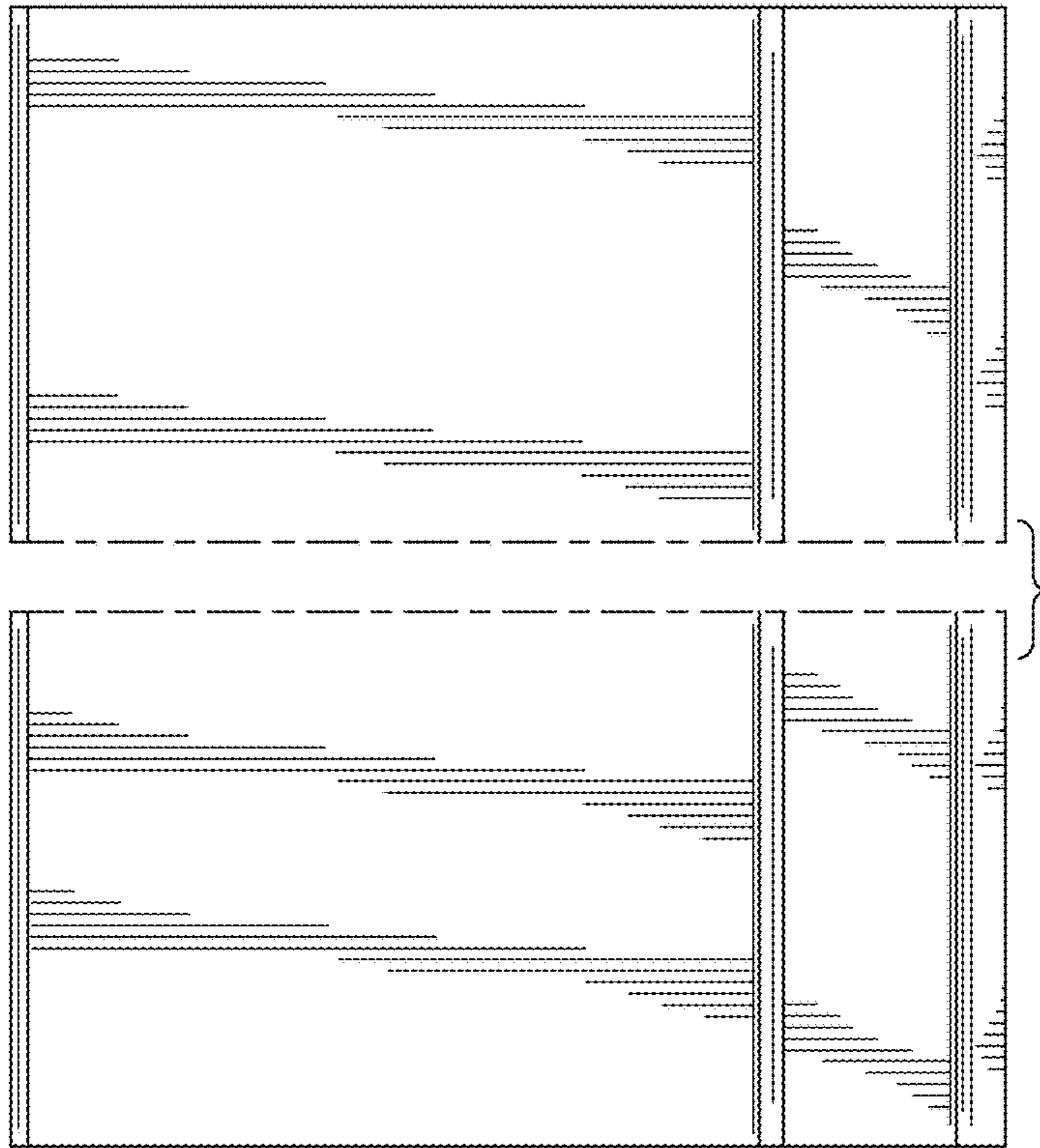


FIG. 6

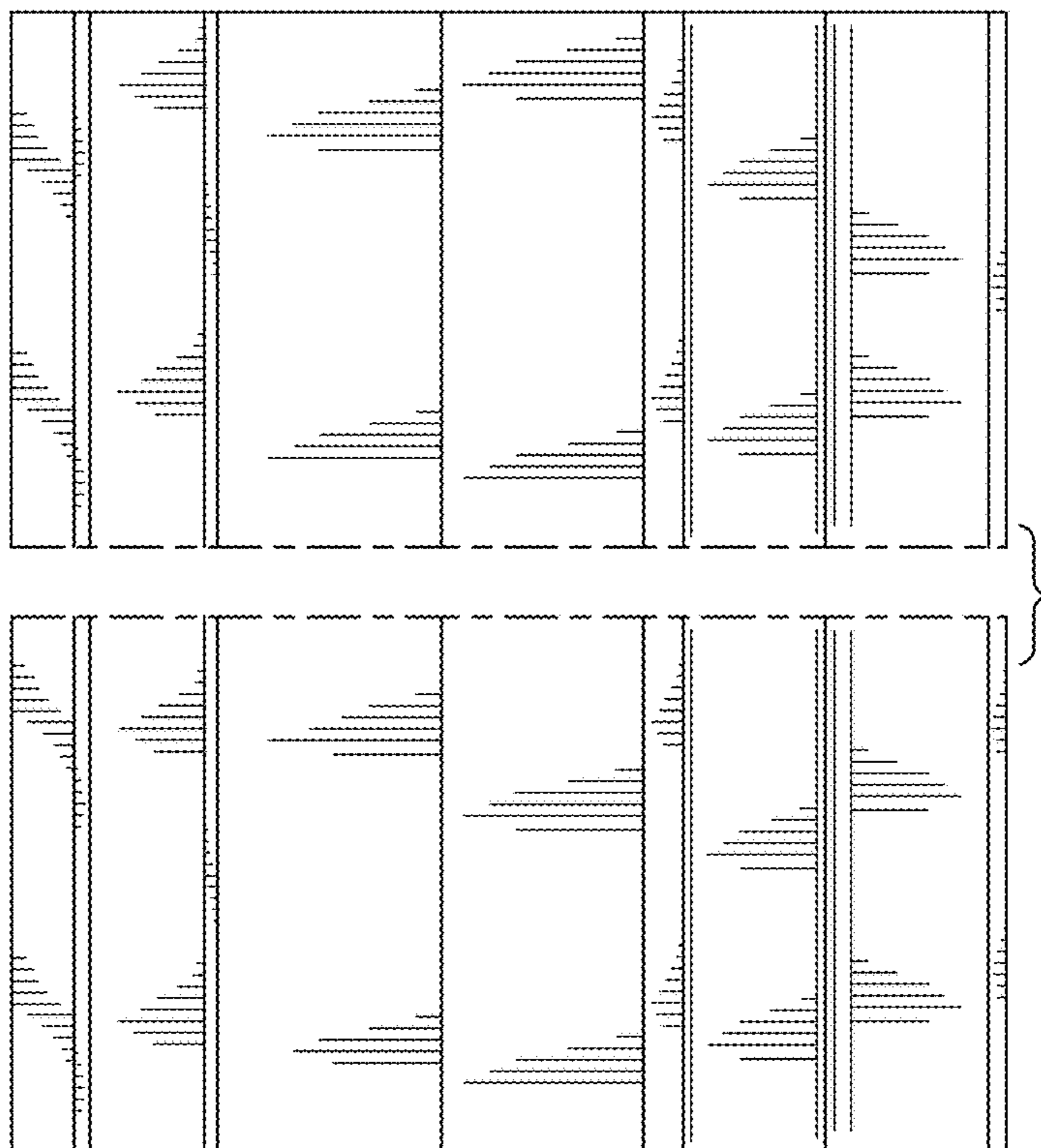


FIG. 7