



US00D831858S

(12) **United States Design Patent**
Marshall

(10) **Patent No.:** **US D831,858 S**
(45) **Date of Patent:** **** Oct. 23, 2018**

(54) **WINDOW COMPONENT EXTRUSION**

(71) Applicant: **Chelsea Building Products, Inc.**,
Oakmont, PA (US)

(72) Inventor: **Phillip Marshall**, Pittsburgh, PA (US)

(73) Assignee: **Chelsea Building Products, Inc.**,
Oakmont, PA (US)

(**) Term: **15 Years**

(21) Appl. No.: **29/628,261**

(22) Filed: **Dec. 4, 2017**

(51) **LOC (11) Cl.** **25-01**

(52) **U.S. Cl.**
USPC **D25/124**

(58) **Field of Classification Search**
USPC D25/119–126, 164, 199
CPC E04F 19/02; E04F 19/022; E04F 19/024;
E04F 19/026; E04F 19/028; E04F 19/04;
E04F 19/0436; E04F 19/0459; E04F
19/0463; E04F 19/0468; E04F 19/0481;
E04F 19/0486; E04F 19/049; E04F
19/0495; E04F 19/06; E04F 19/061; E04F
19/062; E04F 19/063; E04F 19/064; E04F
19/065; E04F 19/066; E04F 19/067; E04F
19/068; E04F 2019/0413; E04F
2019/0454; E06B 1/00; E06B 1/02; E06B
1/04; E06B 1/045; E06B 1/12; E06B
1/26; E06B 1/28; E06B 1/30; E06B 1/32;
E06B 1/34; E06B 1/342; E06B 1/36;
E06B 1/52; E06B 3/30; E06B 3/301;
E06B 3/96; E06B 3/9604; E06B 3/9612;
E06B 3/9628

See application file for complete search history.

(56) **References Cited**

U.S. PATENT DOCUMENTS

D500,867 S * 1/2005 Franson D25/124
D524,951 S * 7/2006 Franson D25/124

D536,106 S * 1/2007 Wickland D25/124
D552,764 S * 10/2007 Wickland D25/124
D558,360 S * 12/2007 Lockbeam D25/124
D558,361 S * 12/2007 Lockbeam D25/124
D558,900 S * 1/2008 Lockbeam D25/124
D572,382 S * 7/2008 Willman D25/124
D572,835 S * 7/2008 Willman D25/124
D572,839 S * 7/2008 Wickland D25/124
D583,074 S * 12/2008 Campbell D25/124
D583,076 S * 12/2008 Campbell D25/124

(Continued)

Primary Examiner — Cynthia Ramirez

Assistant Examiner — Llorellys Martinez-Rivera

(74) *Attorney, Agent, or Firm* — Vorys, Sater, Seymour
and Pease LLP

(57) **CLAIM**

The ornamental design for a window component extrusion,
as shown and described.

DESCRIPTION

FIG. 1 is an isometric view of a window component extru-
sion according to the present disclosure.

FIG. 2 is a left side view of the window component extrusion
of FIG. 1.

FIG. 3 is a right side view of the window component
extrusion of FIG. 1.

FIG. 4 is a rear view of the window component extrusion of
FIG. 1.

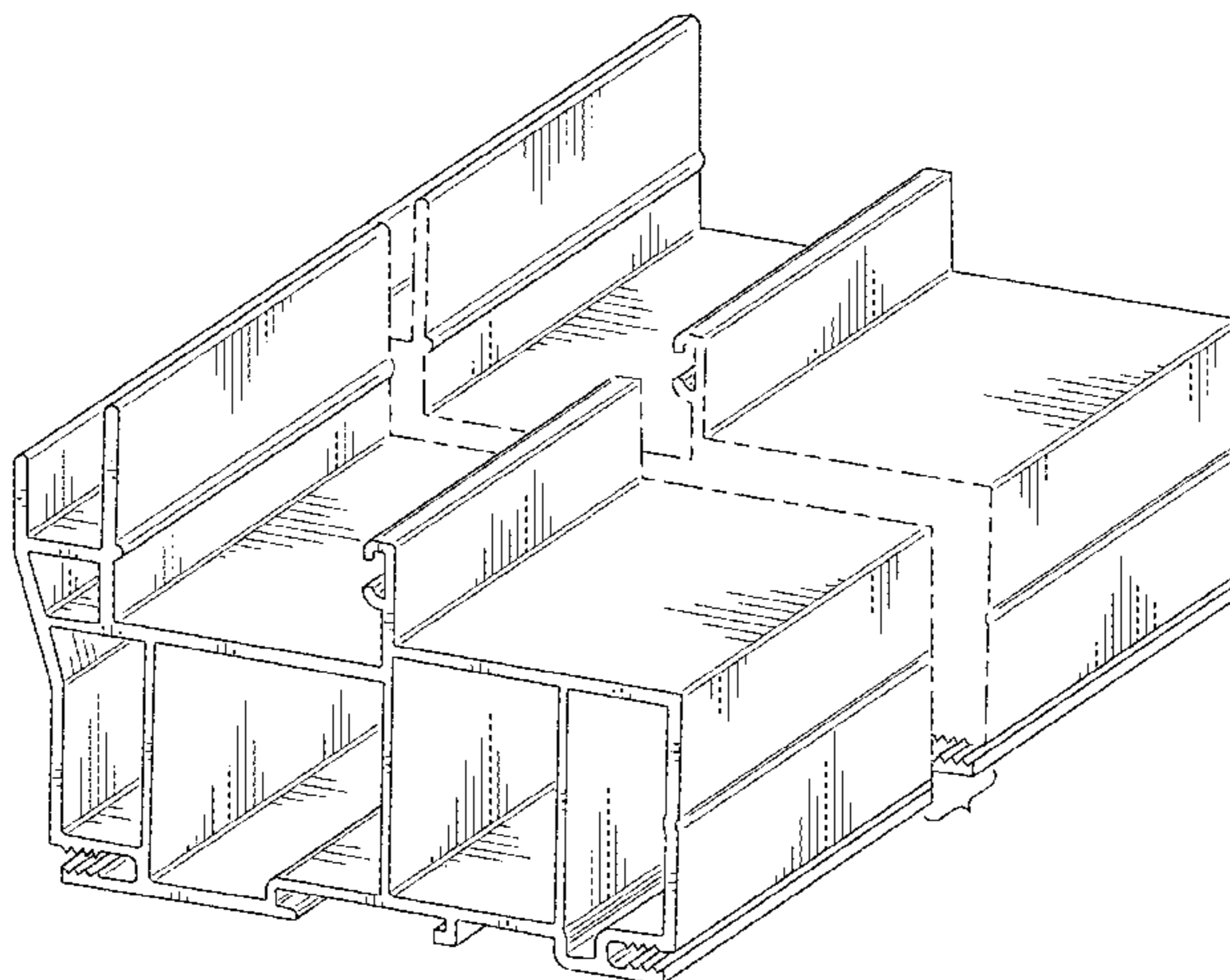
FIG. 5 is a front view of the window component extrusion
of FIG. 1.

FIG. 6 is a top view of the window component extrusion of
FIG. 1; and,

FIG. 7 is a bottom view of the window component extrusion
of FIG. 1.

The window component extrusion is shown with two par-
allel dash-dot break lines that represent the bounds of the
claim. The appearance of any portion of the article between
the break lines forms no part of the claimed design.

1 Claim, 4 Drawing Sheets



(56)

References Cited

U.S. PATENT DOCUMENTS

D588,283	S	*	3/2009	Fannan	D25/124
D590,515	S	*	4/2009	Campbell	D25/124
D590,518	S	*	4/2009	Campbell	D25/124
D590,958	S	*	4/2009	Campbell	D25/124
D600,360	S	*	9/2009	Wickland	D25/124
D608,465	S	*	1/2010	Franson	D25/124
D608,906	S	*	1/2010	Stephens	D25/60
D619,729	S	*	7/2010	Bernier	D25/124
D679,389	S	*	4/2013	Morton	D25/124
D693,029	S	*	11/2013	Wickland	D25/124
D693,030	S	*	11/2013	Wickland	D25/124
D713,977	S	*	9/2014	Jenkins	D25/124
D720,083	S	*	12/2014	Fannan	D25/124
D726,936	S	*	4/2015	Campbell	D25/124
D727,534	S	*	4/2015	Campbell	D25/124
D727,537	S	*	4/2015	Campbell	D25/124
D732,201	S	*	6/2015	Chaney	D25/124
D780,330	S	*	2/2017	Marshall	D25/124
D782,073	S	*	3/2017	Marshall	D25/124
D792,612	S	*	7/2017	Lockbeam	D25/124
D795,456	S	*	8/2017	Marshall	D25/124
D795,459	S	*	8/2017	Marshall	D25/125

* cited by examiner

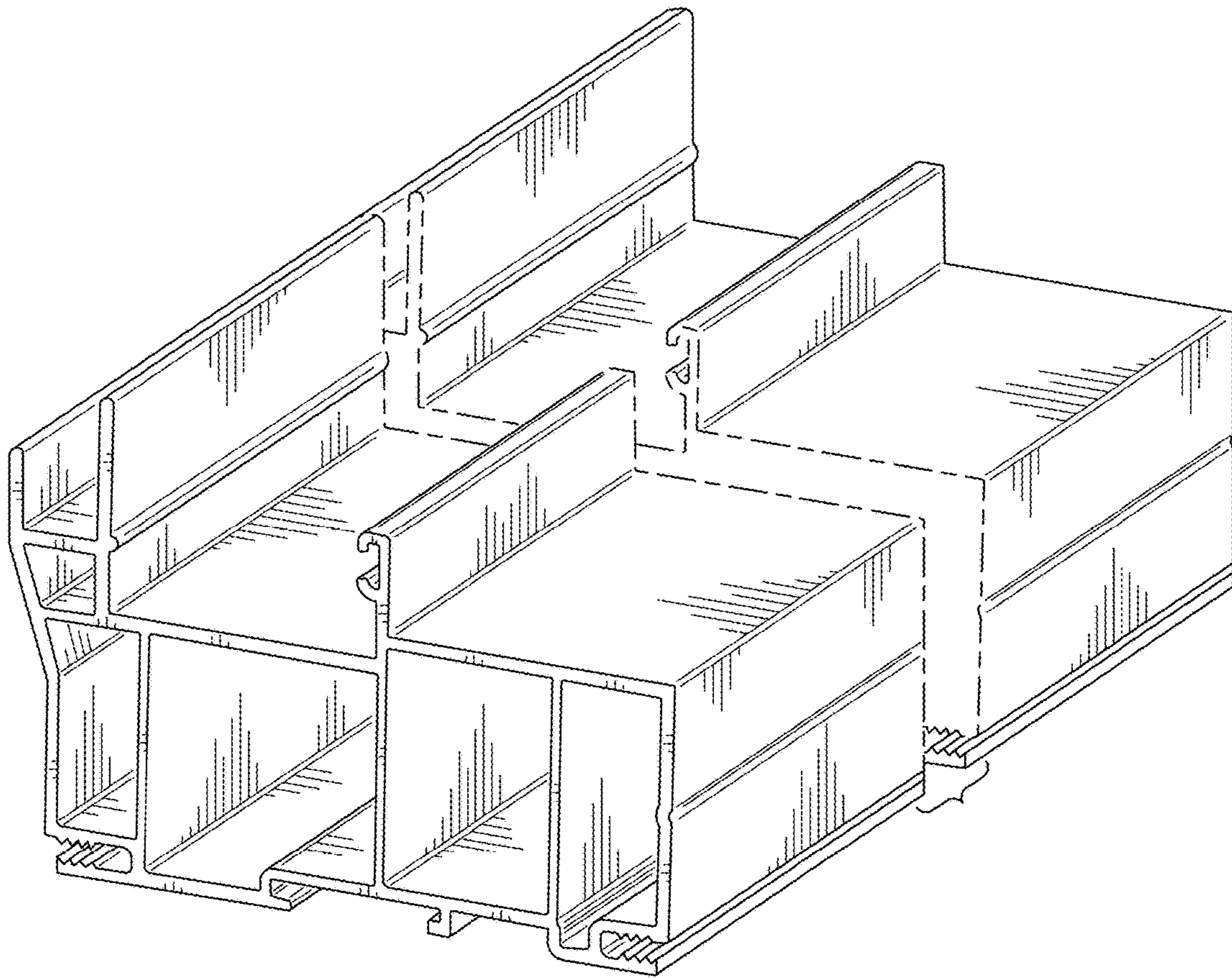


FIG. 1

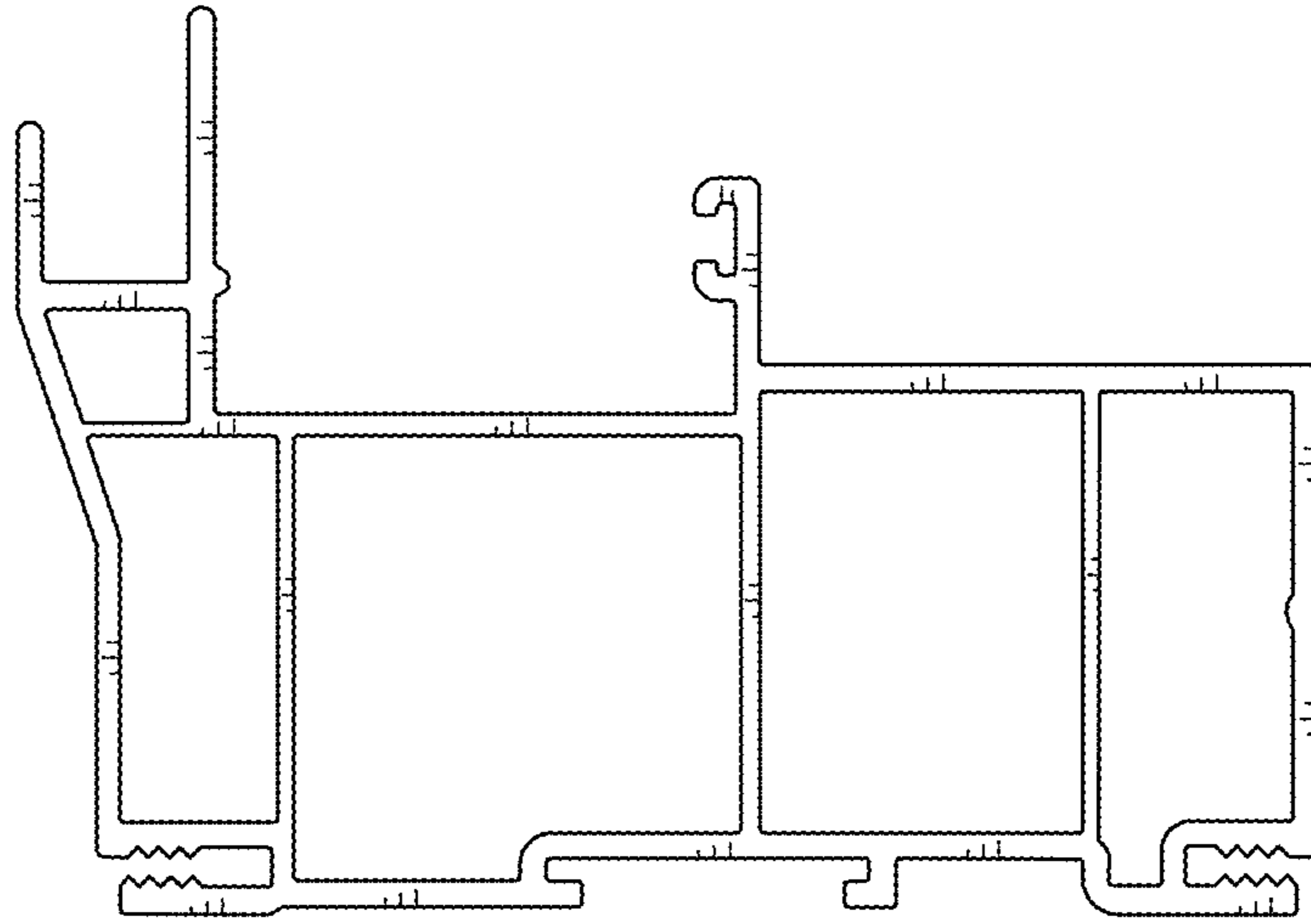


FIG. 2

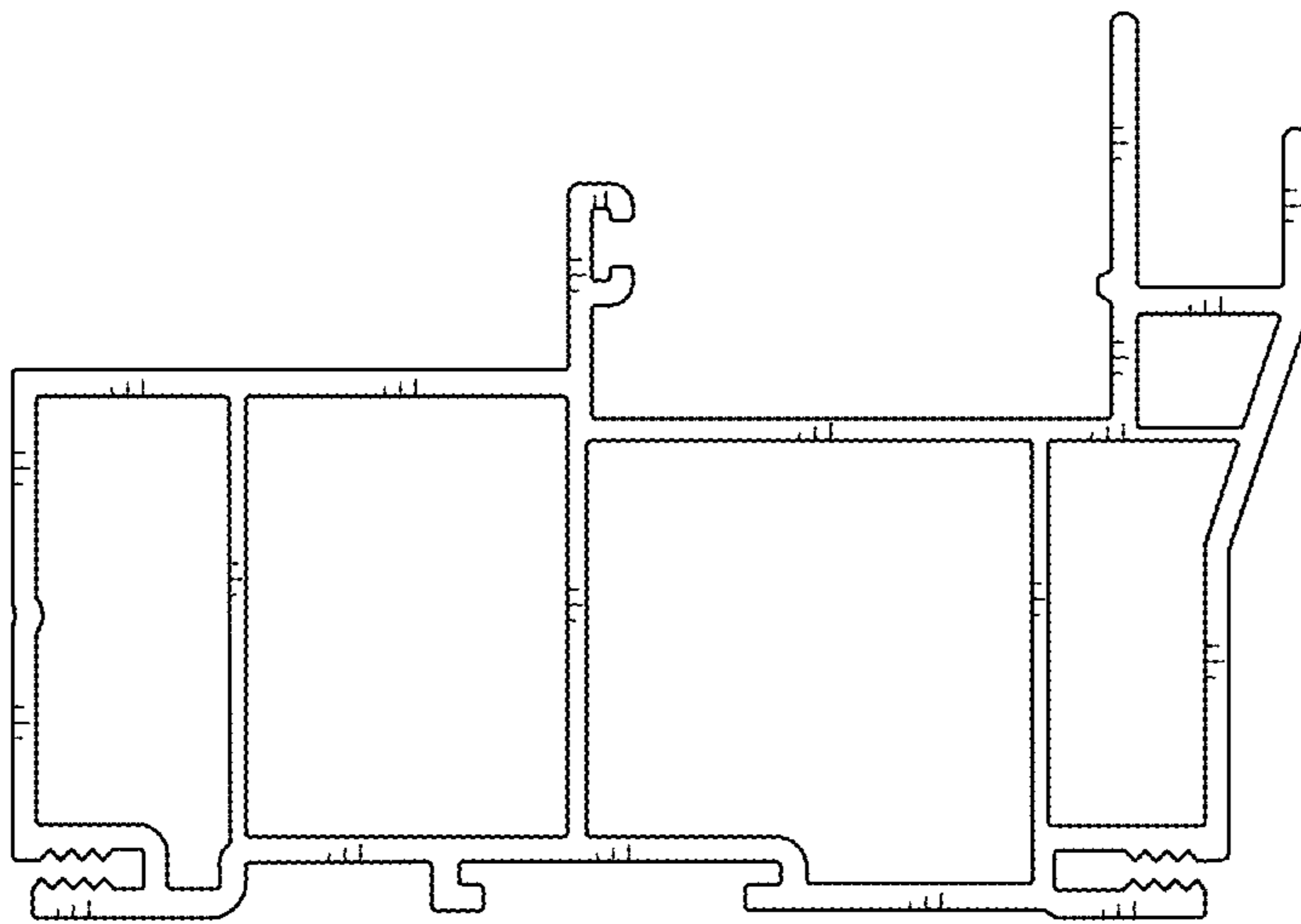


FIG. 3

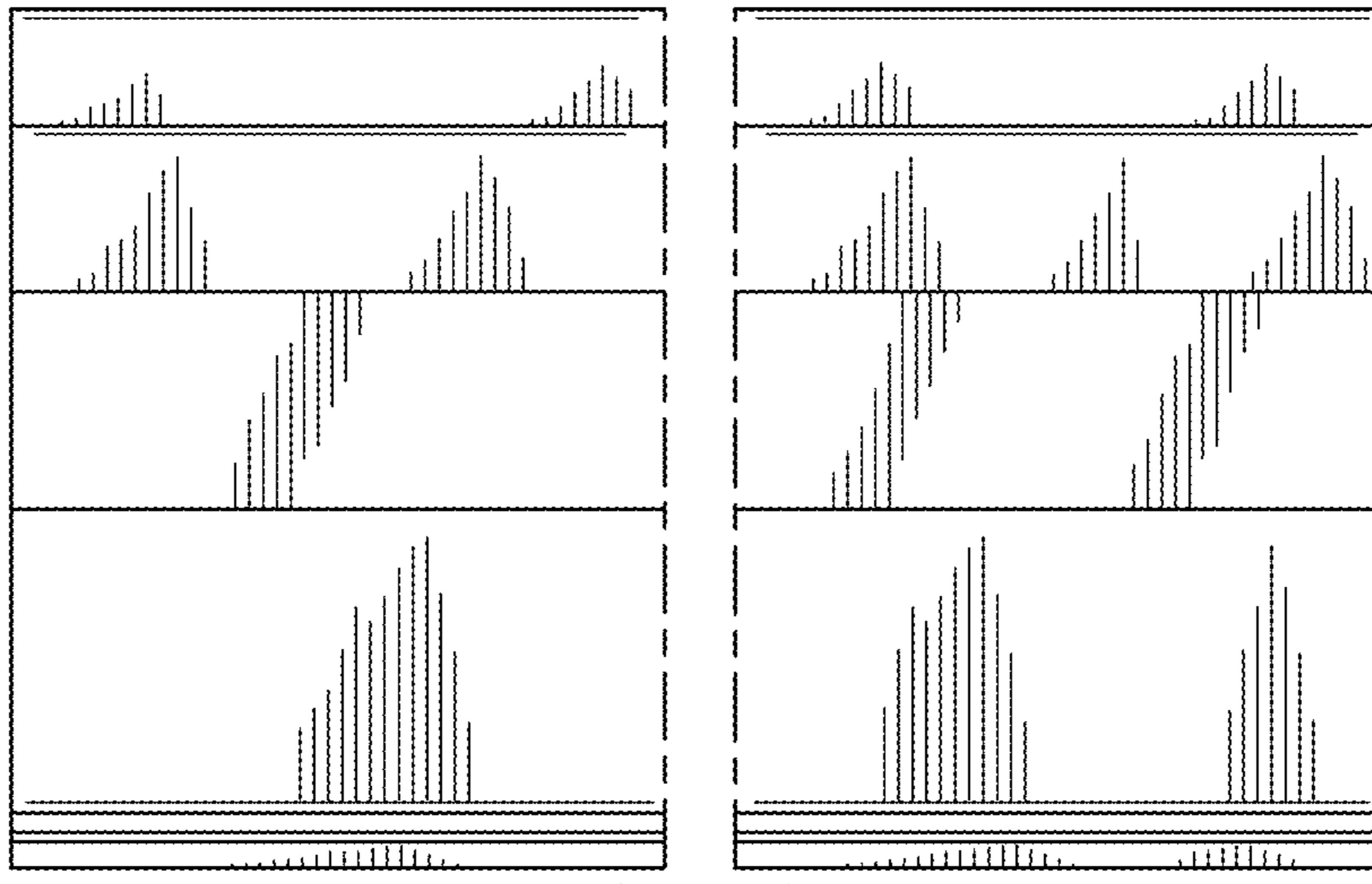


FIG. 4

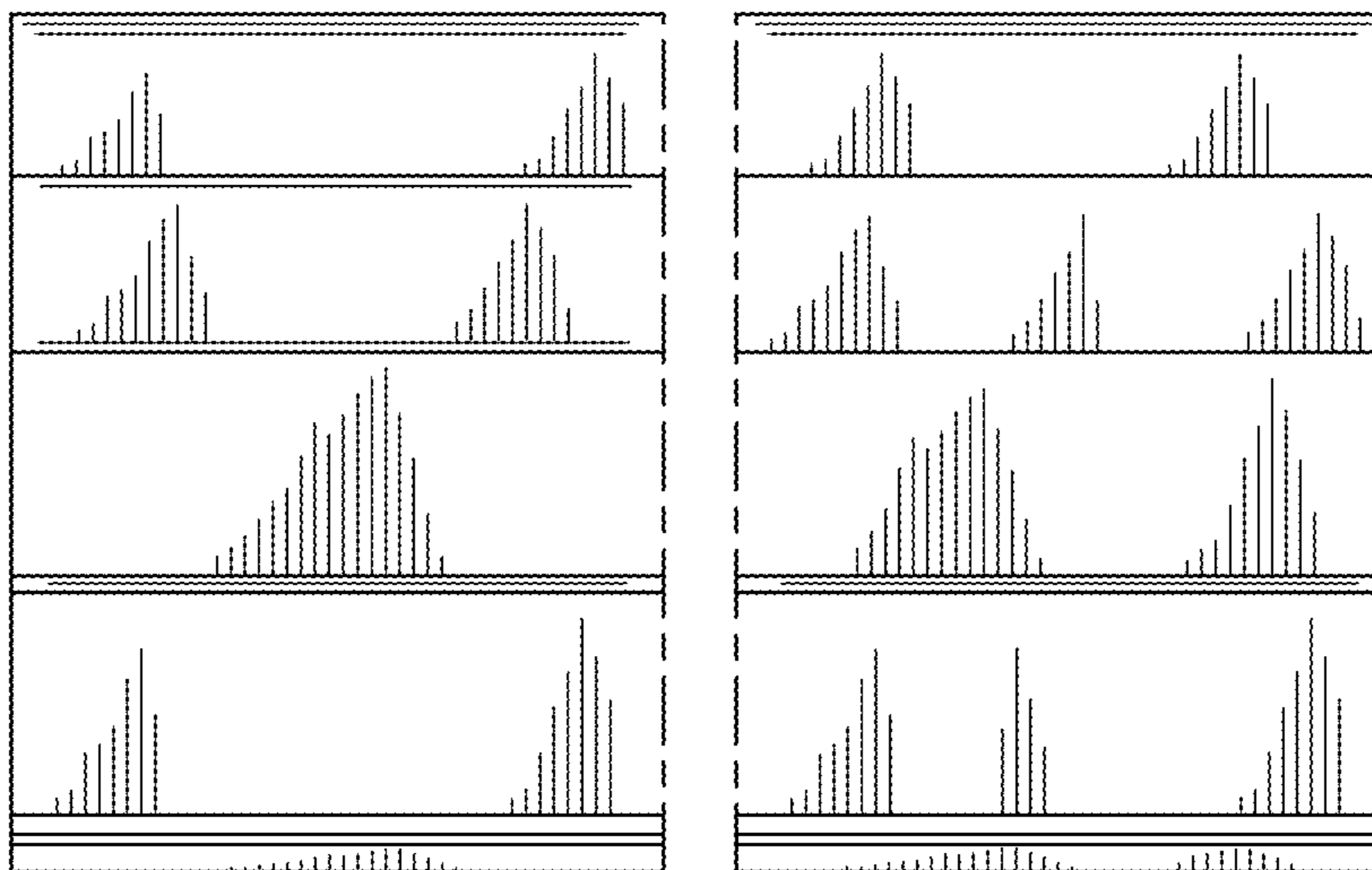


FIG. 5

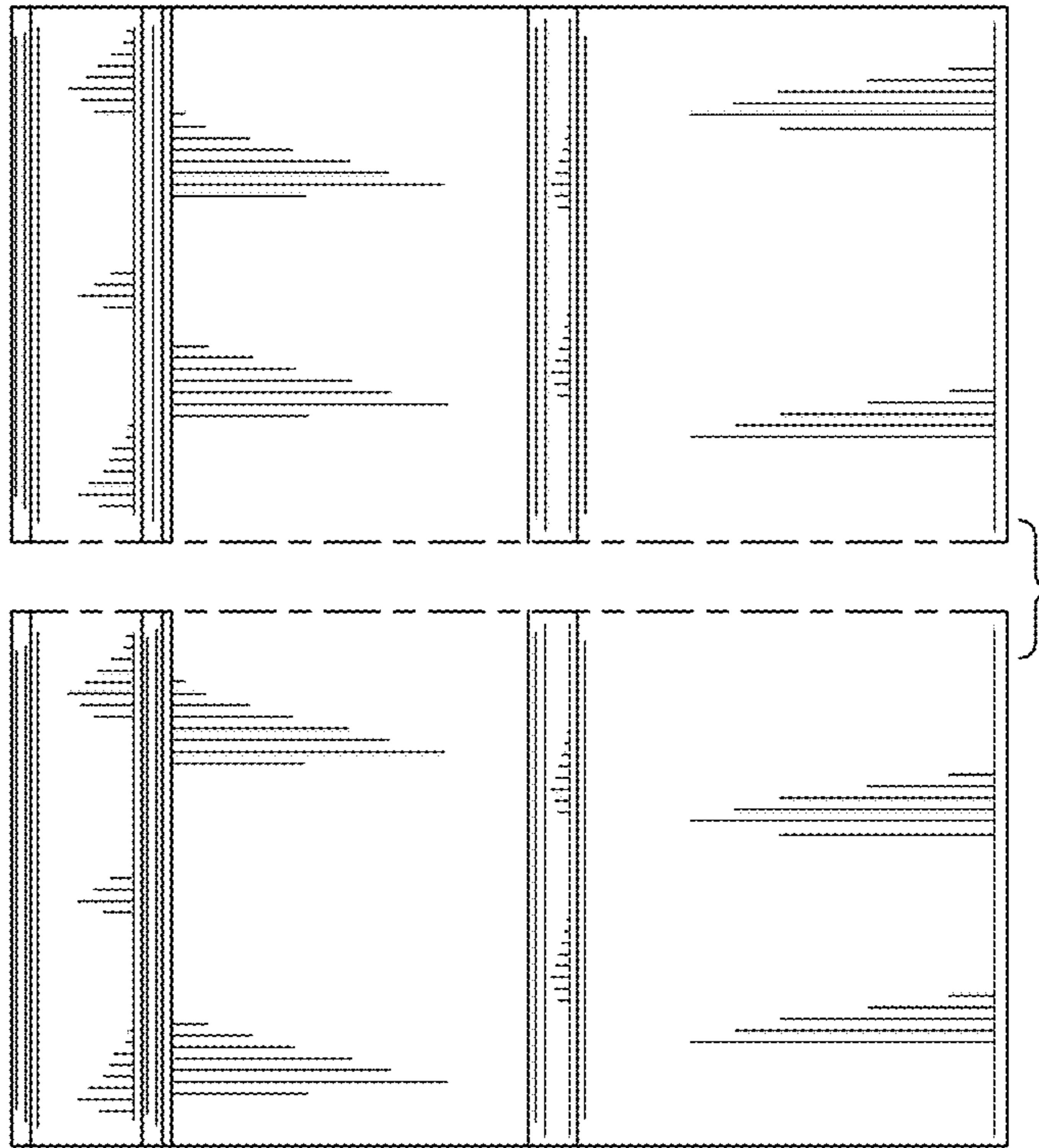


FIG. 6

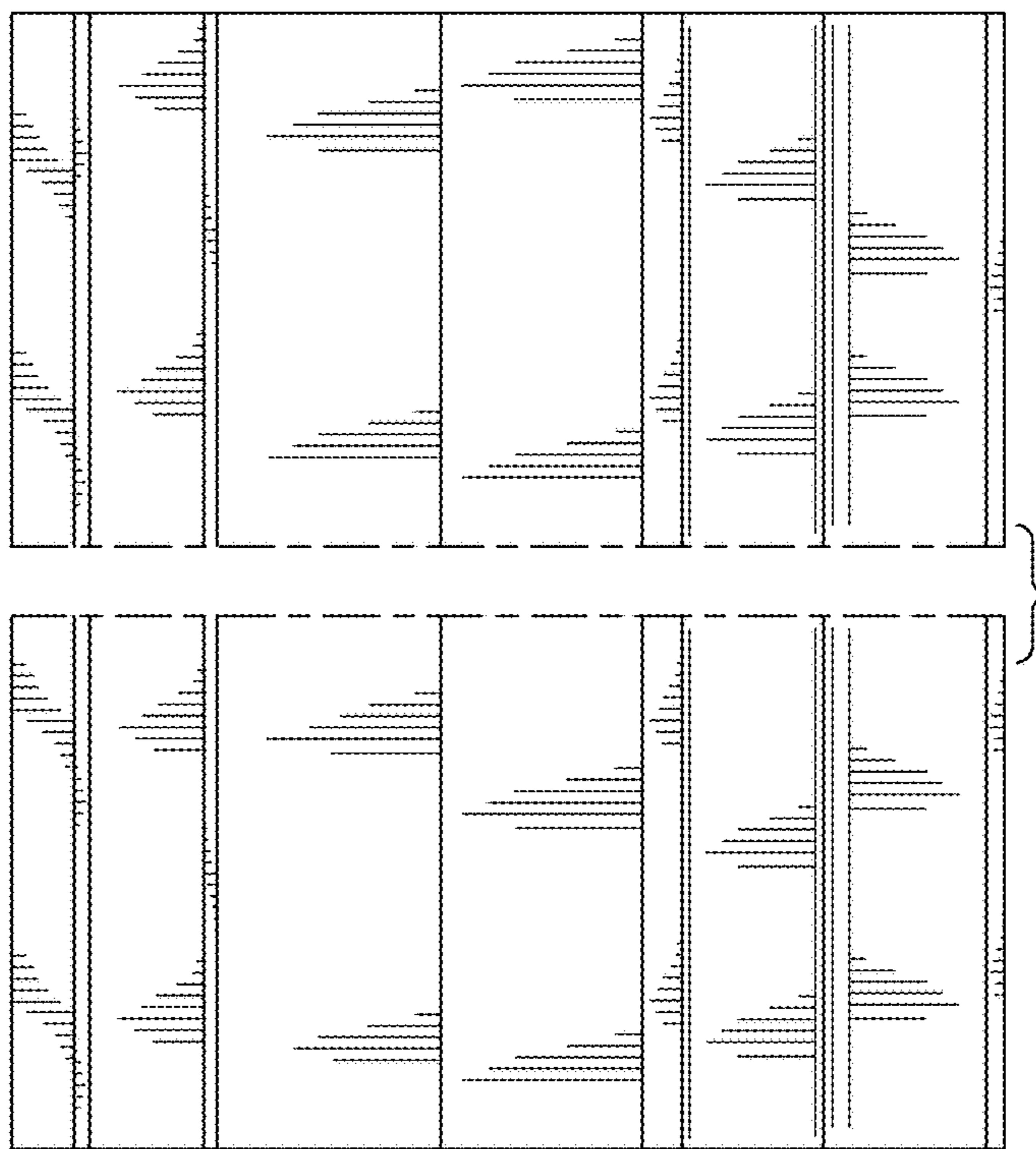


FIG. 7