

US00D831856S

(12) **United States Design Patent** (10) **Patent No.:** **US D831,856 S**
Chan (45) **Date of Patent:** **** Oct. 23, 2018**

(54) **PANEL FLANGE**
(71) Applicant: **Instad Pre Fabrication Pte Ltd,**
Singapore (SG)
(72) Inventor: **Kwan Heng Chan,** Singapore (SG)
(73) Assignee: **Instad Pre Fabrication Pte Ltd,**
Singapore (SG)
(**) Term: **15 Years**
(21) Appl. No.: **29/592,013**
(22) Filed: **Jan. 25, 2017**
(30) **Foreign Application Priority Data**
Jul. 25, 2016 (SG) 30201602753Q
(51) **LOC (11) Cl.** **25-01**
(52) **U.S. Cl.**
USPC **D25/124**
(58) **Field of Classification Search**
USPC D25/119-125, 133-138, 164, 199;
D8/354, 373, 374, 376, 377, 380, 381,
D8/382; D6/702, 709, 712
CPC ... E04C 3/00; E04C 3/005; E04C 3/02; E04C
3/04; E04C 3/12; E04C 3/20; E04C 3/28;
E04C 3/30; E04F 19/02; E04F 19/022;
E04F 19/026; E04F 19/028; E04F 19/04;
E04F 19/0436; E04F 19/0481; E04F
19/0486; E04F 19/06; E04F 19/061; E04F
19/064; E04F 2019/0404; E04F
2019/0413; E04F 2019/0422; E04F
2019/0454; E04B 2/00; E04B 2/74; E04B
2/76; E04B 2/761; E04B 2/762; E04B
2/763; E04B 2/764; E04B 2/765; E04B
2/7854; E04B 2/7863; E04B 2/7872;
E04B 2/7881; E04B 2/789
See application file for complete search history.

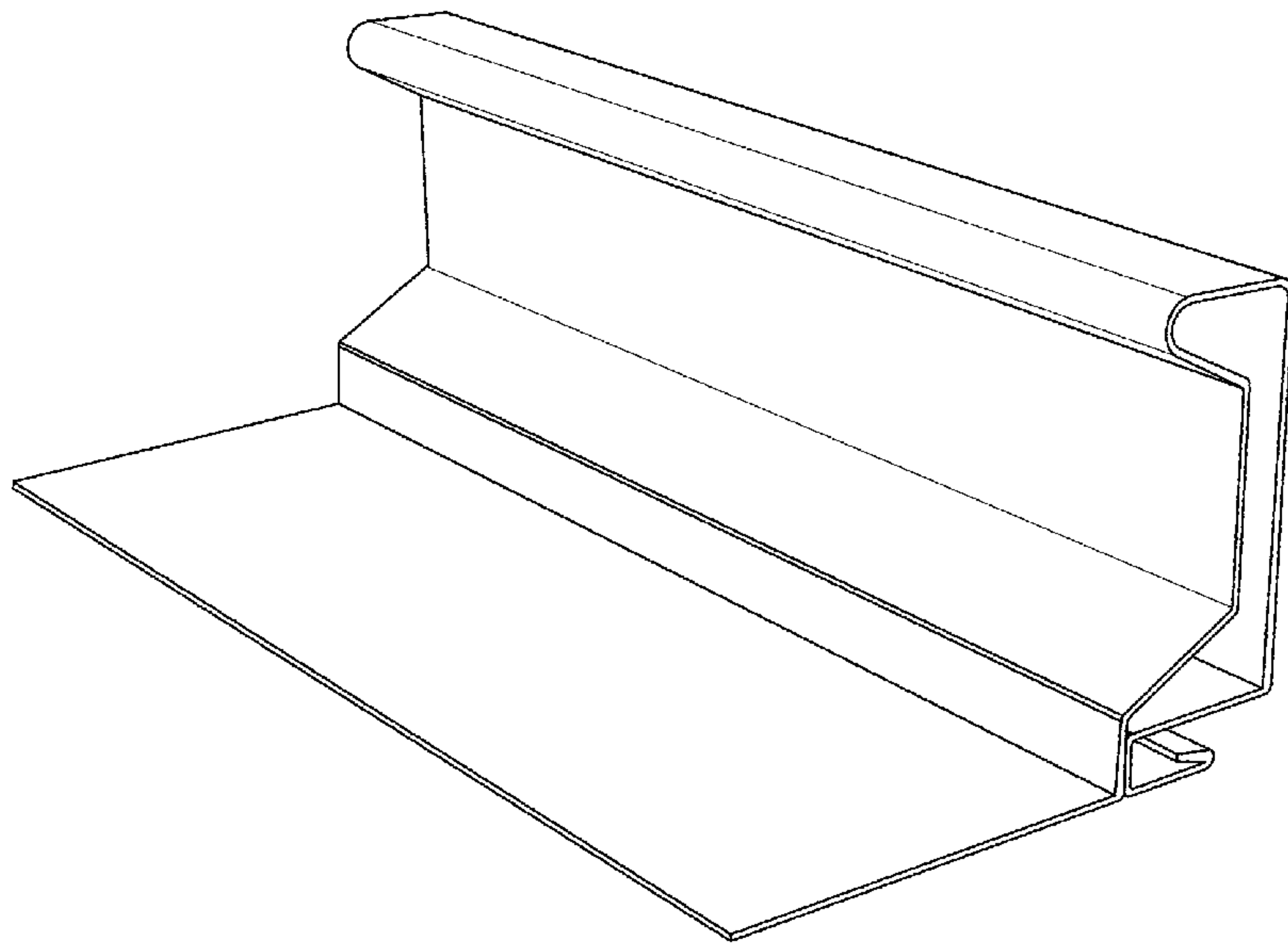
(56) **References Cited**
U.S. PATENT DOCUMENTS
D202,718 S * 11/1965 Kore D25/124
D228,992 S * 11/1973 Walnut D25/119
D248,327 S * 6/1978 South D25/119
D252,471 S * 7/1979 Broadbent D25/119
D258,538 S * 3/1981 Cribben D25/125
D267,345 S * 12/1982 Walsh D25/124
D344,423 S * 2/1994 Pate D25/119
D402,048 S * 12/1998 Goodchild D25/119
D420,274 S * 2/2000 Lappin D8/354
D473,662 S * 4/2003 Shaw D25/119
D486,247 S * 2/2004 Eichner D25/119
D499,816 S * 12/2004 Eichner D25/119
6,988,345 B1 * 1/2006 Pelfrey E04F 19/02
52/519
D624,212 S * 9/2010 Sawyer D25/136
D767,169 S * 9/2016 Hatch D25/136
D767,794 S * 9/2016 Libreiro D25/125
2002/0178671 A1 * 12/2002 Gembala E04D 13/15
52/302.6
2013/0186009 A1 * 7/2013 Hart E06B 1/62
52/58

* cited by examiner
Primary Examiner — Cynthia Ramirez
Assistant Examiner — L. Martinez-Rivera
(74) *Attorney, Agent, or Firm* — Banner & Witcoff, Ltd.

(57) **CLAIM**
The ornamental design for a panel flange, as shown and described.

DESCRIPTION
FIG. 1 is a front perspective view of a panel flange showing my new design;
FIG. 2 is a side view thereof;
FIG. 3 is a front view thereof; and,
FIG. 4 is a top view thereof.

1 Claim, 4 Drawing Sheets



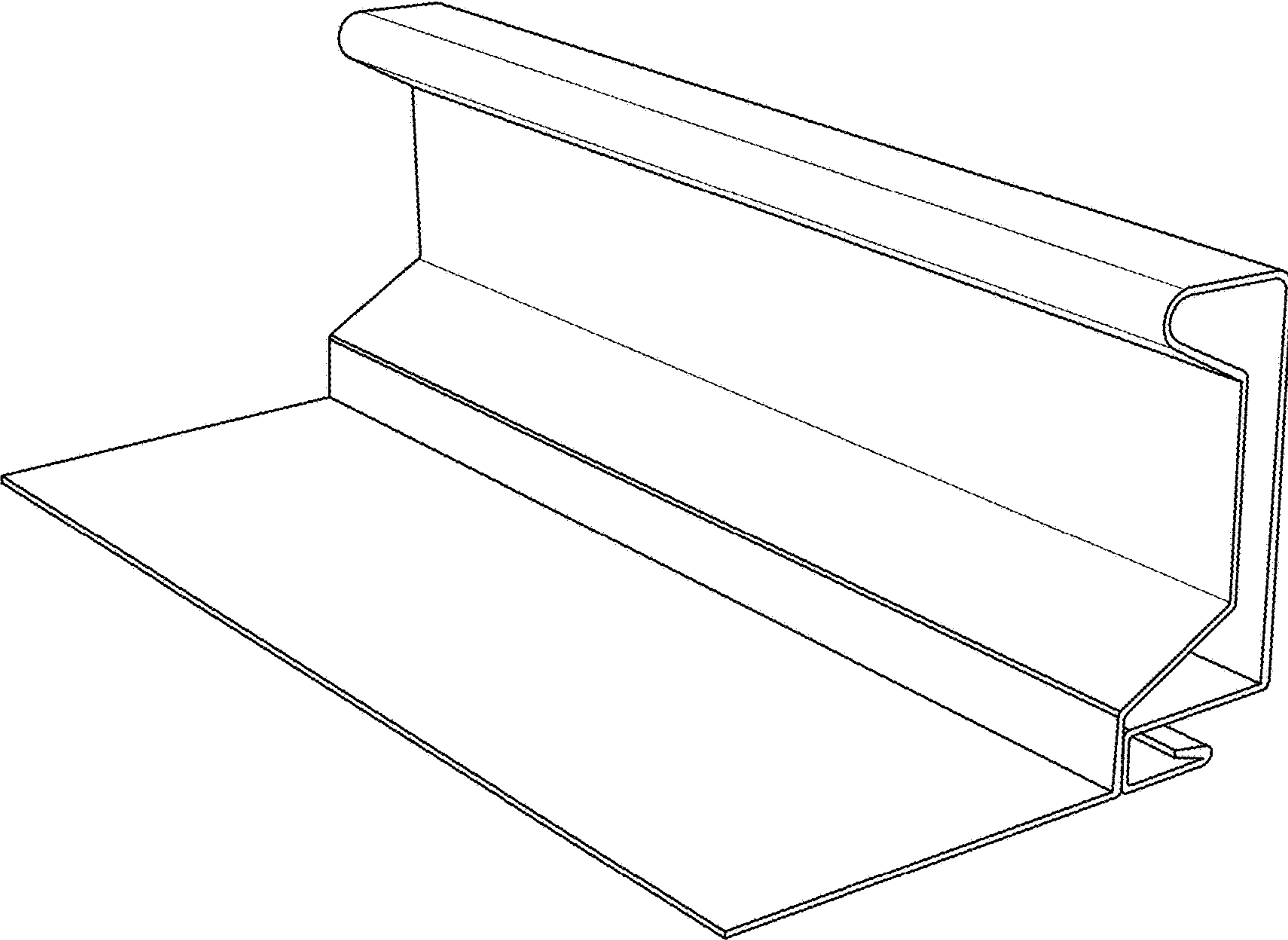


FIG. 1

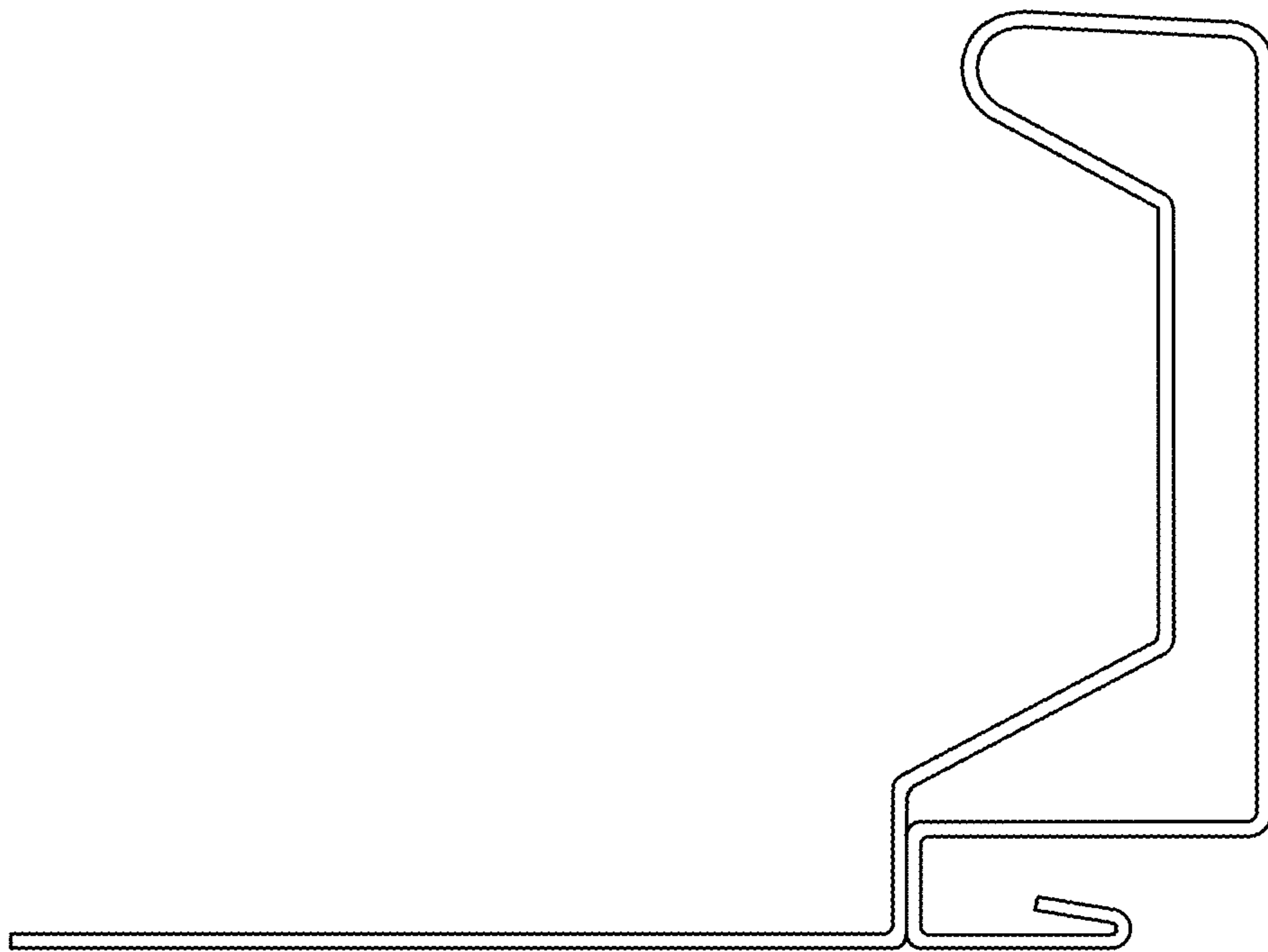


FIG. 2

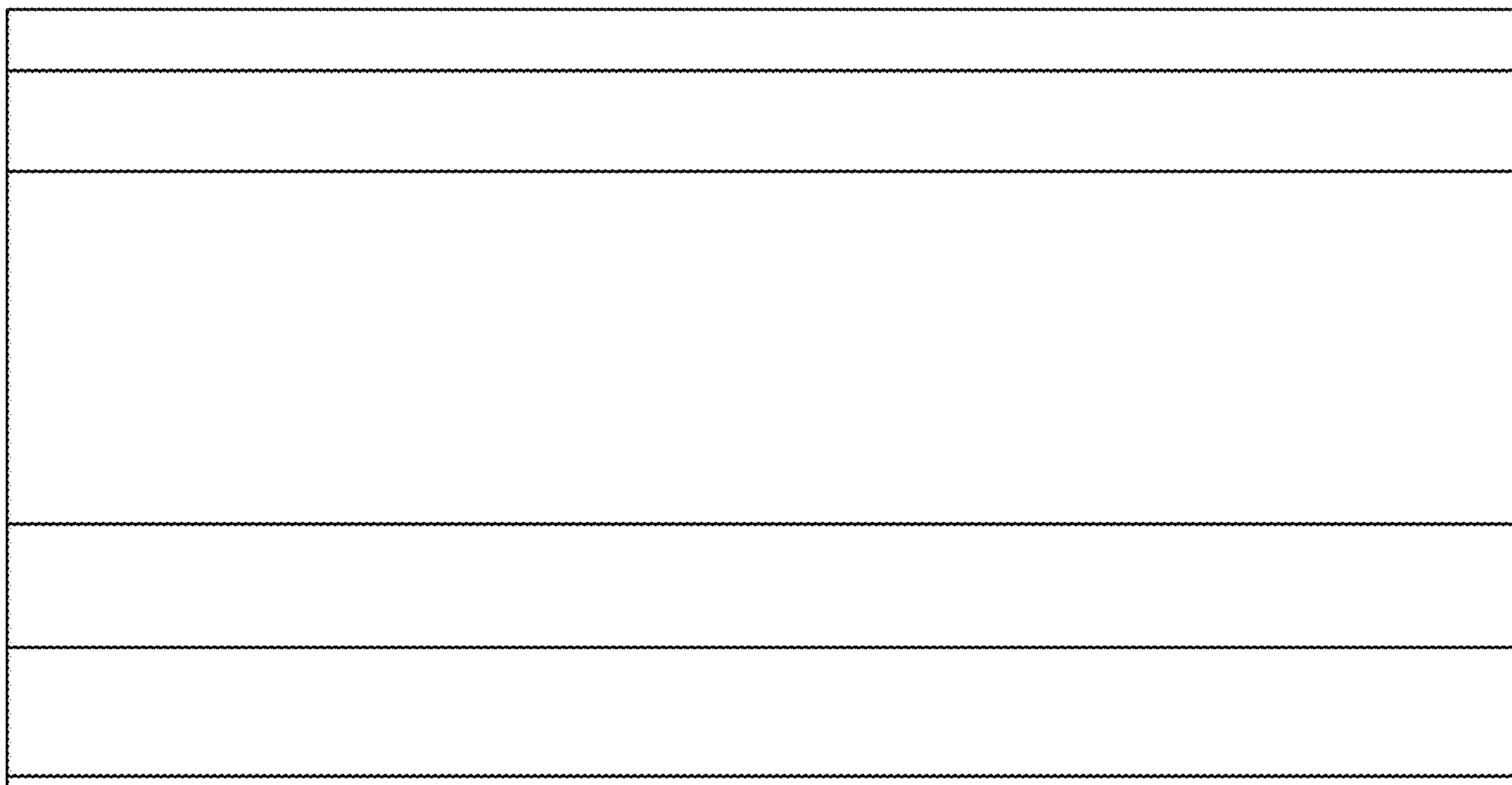


FIG. 3

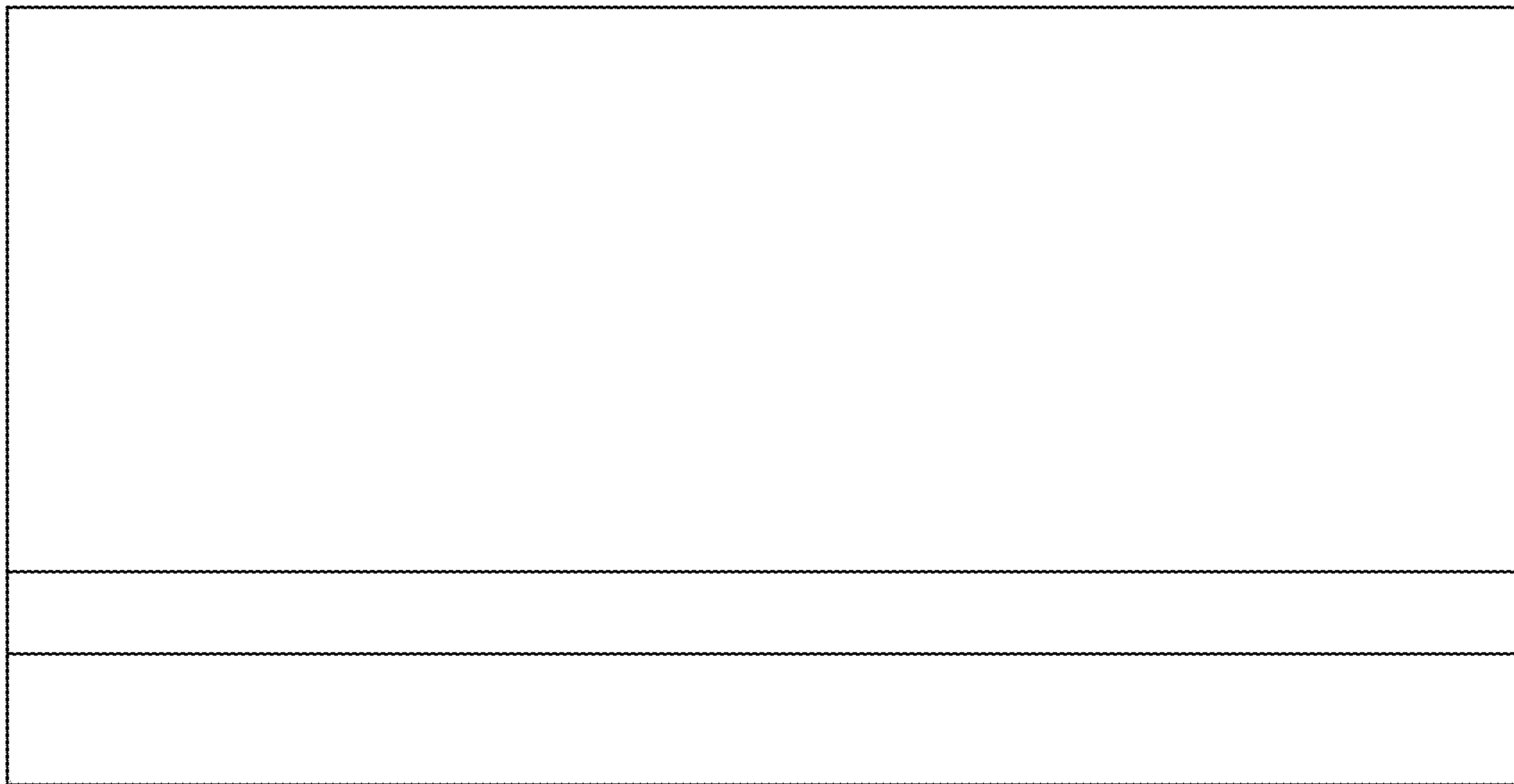


FIG. 4