

US00D831855S

(12) **United States Design Patent** (10) **Patent No.:** **US D831,855 S**  
**Hynek et al.** (45) **Date of Patent:** **\*\* Oct. 23, 2018**

(54) **TRIM REVEAL EXTRUSION**  
(71) Applicants: **Martin Hynek**, Plzen (CZ); **Antonin Max**, Plzen (CZ); **Jan Klepacek**, Line (CZ)  
(72) Inventors: **Martin Hynek**, Plzen (CZ); **Antonin Max**, Plzen (CZ); **Jan Klepacek**, Line (CZ)  
(73) Assignee: **UNIVERSITY OF WEST BOHEMIA**, Pilsen (CZ)  
(\*\*) Term: **15 Years**  
(21) Appl. No.: **29/618,049**  
(22) Filed: **Sep. 19, 2017**  
(51) **LOC (11) Cl.** ..... **25-01**  
(52) **U.S. Cl.**  
USPC ..... **D25/119**  
(58) **Field of Classification Search**  
USPC ..... D25/119-126, 136, 164, 199; D26/138; D8/349, 354, 376, 377, 380, 381, 382; D6/702, 705, 705.6, 709, 709.2, 712  
CPC ..... E04F 19/02; E04F 19/022; E04F 19/024; E04F 19/026; E04F 19/028; E04F 19/04; E04F 19/0436; E04F 19/0459; E04F 19/0463; E04F 19/0468; E04F 19/0481; E04F 19/0486; E04F 19/049; E04F 19/0495; E04F 19/06; E04F 19/061; E04F 19/062; E04F 19/063; E04F 19/064; E04F 19/065; E04F 19/066; E04F 19/067; E04F 19/068; E04F 2019/0413; E04F 2019/0454; E06B 1/00; E06B 1/02; E06B 1/04; E06B 1/045; E06B 1/12; E06B 1/26; E06B 1/28; E06B 1/30; E06B 1/32; E06B 1/34; E06B 1/342; E06B 1/36; E06B 1/52; E06B 3/30; E06B 3/301; E06B 3/96; E06B 3/9604; E06B 3/9612;

E06B 3/9628; E04C 2003/026; E04C 3/00; E04C 3/005; E04C 3/02; E04C 3/04  
See application file for complete search history.

(56) **References Cited**

U.S. PATENT DOCUMENTS

D30,302 S \* 2/1899 McCracken ..... D25/164  
4,706,427 A \* 11/1987 Zeilinger ..... E04F 19/045  
52/287.1  
4,999,961 A \* 3/1991 McNary ..... E04F 19/024  
52/287.1  
5,045,374 A \* 9/1991 Tucker ..... E04F 19/028  
52/371  
5,273,258 A \* 12/1993 Bedics ..... E04F 19/026  
52/288.1  
D371,611 S \* 7/1996 Hsiao ..... D25/124  
D371,612 S \* 7/1996 Hsiao ..... D25/124  
D378,856 S \* 4/1997 Dallaire ..... D25/124  
D383,058 S \* 9/1997 Riley ..... D25/123  
5,752,353 A \* 5/1998 Koenig ..... E04F 19/028  
52/255  
D416,333 S \* 11/1999 Stansfield ..... D25/126  
D432,247 S \* 10/2000 Grosfillex ..... D25/124

(Continued)

*Primary Examiner* — Cynthia Ramirez  
*Assistant Examiner* — L. Martinez-Rivera

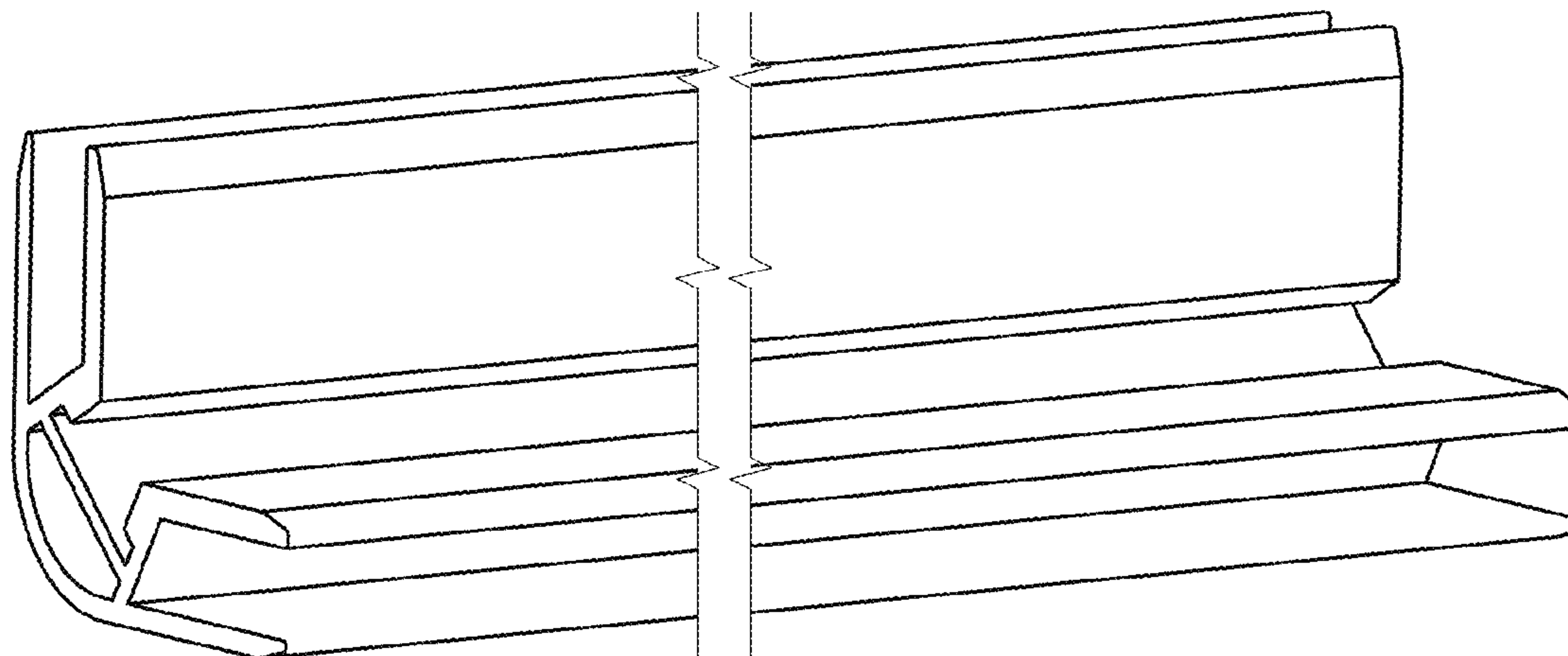
(57) **CLAIM**

The ornamental design for a trim reveal extrusion, as shown and described.

**DESCRIPTION**

FIG. 1 is a top, front, left perspective view of a trim reveal extrusion showing my new design; FIG. 2 is a bottom, rear, left perspective view thereof; and, FIG. 3 is a cross-sectional view thereof.  
The trim reveal extrusion is shown with a symbolic break in its length. The appearance of any portion of the trim reveal extrusion between the jagged break lines form no part of the claimed design.

**1 Claim, 1 Drawing Sheet**



(56)

**References Cited**

## U.S. PATENT DOCUMENTS

D432,672 S \* 10/2000 Grosfillex ..... D25/124  
D432,673 S \* 10/2000 Grosfillex ..... D25/124  
D432,674 S \* 10/2000 Grosfillex ..... D25/124  
D433,514 S \* 11/2000 Grosfillex ..... D25/124  
6,311,442 B1 \* 11/2001 Watanabe ..... E04F 19/022  
52/282.1  
6,341,458 B1 \* 1/2002 Burt ..... E04F 19/061  
D25/164  
6,438,914 B1 \* 8/2002 Robertson ..... E04F 19/022  
52/255  
6,553,732 B2 \* 4/2003 Shaw ..... E04F 19/022  
52/287.1  
6,557,311 B1 \* 5/2003 Mongelli ..... E04F 19/0436  
52/288.1  
D550,862 S \* 9/2007 Brabeck ..... D25/124  
D557,112 S \* 12/2007 Franssen ..... D8/349  
D579,321 S \* 10/2008 Townley ..... D8/354  
D599,916 S \* 9/2009 Polston ..... D25/136  
D639,587 S \* 6/2011 Selinger ..... D25/126  
8,171,685 B2 \* 5/2012 Harrison ..... E04F 19/022  
52/254  
8,528,287 B2 \* 9/2013 Aboukhalil ..... E04F 19/061  
52/288.1  
8,839,582 B2 \* 9/2014 Aboukhalil ..... E04F 19/022  
52/460  
D736,065 S \* 8/2015 Castellano ..... D8/354  
D808,577 S \* 1/2018 Klus ..... D26/138

\* cited by examiner

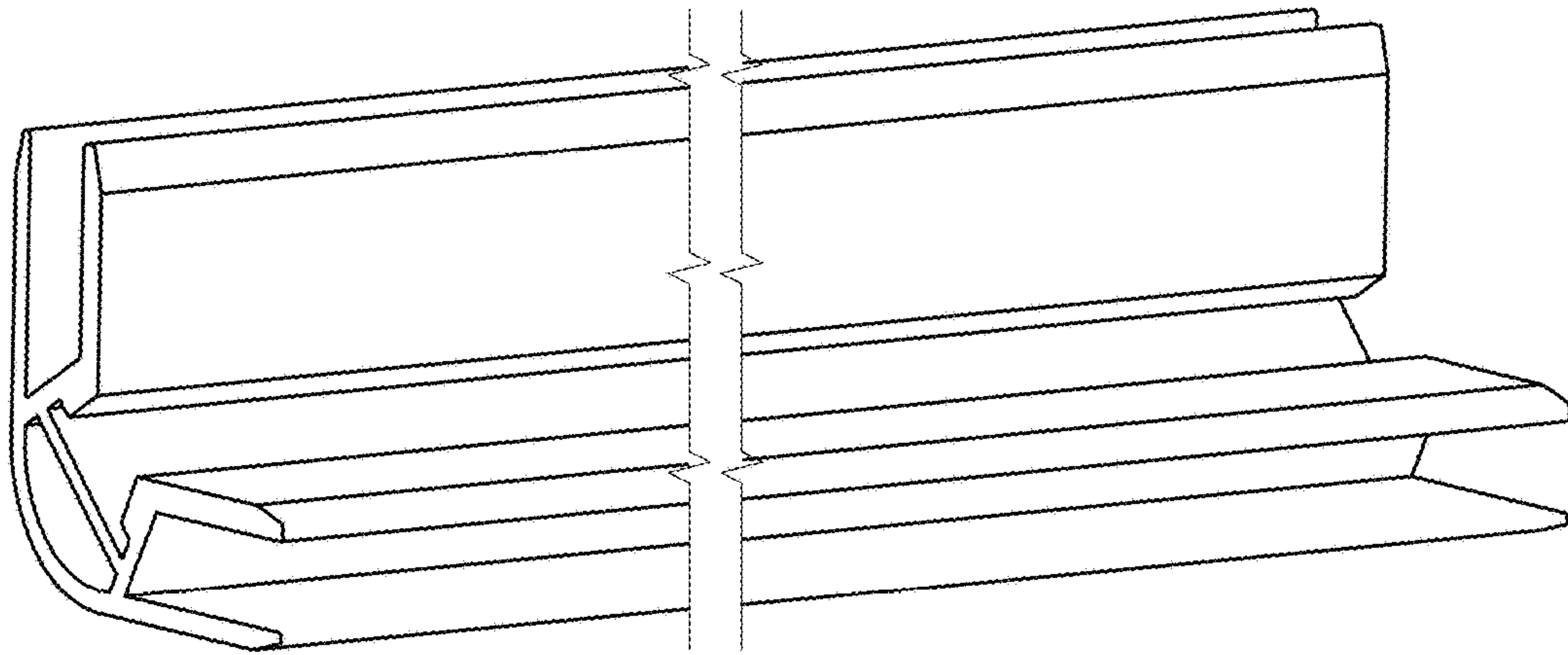


FIG. 1

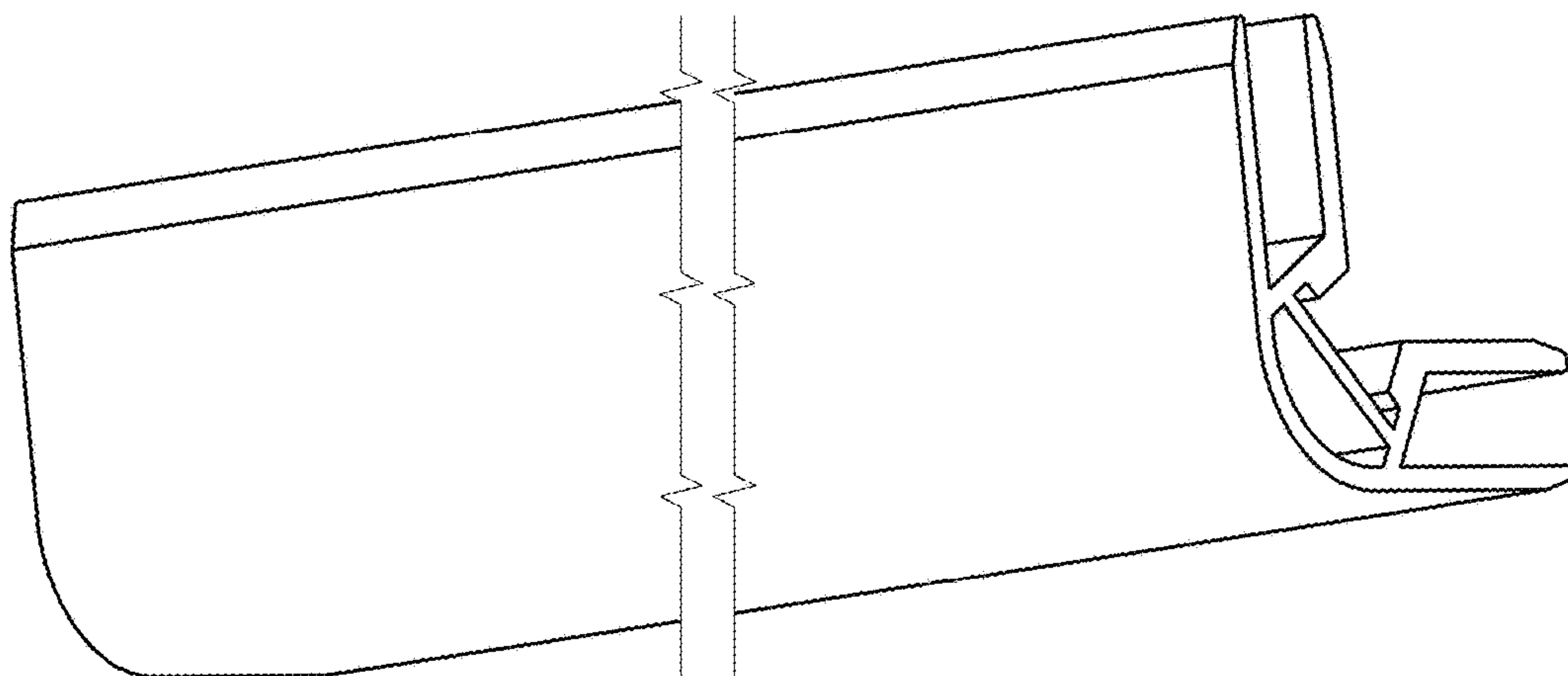


FIG. 2

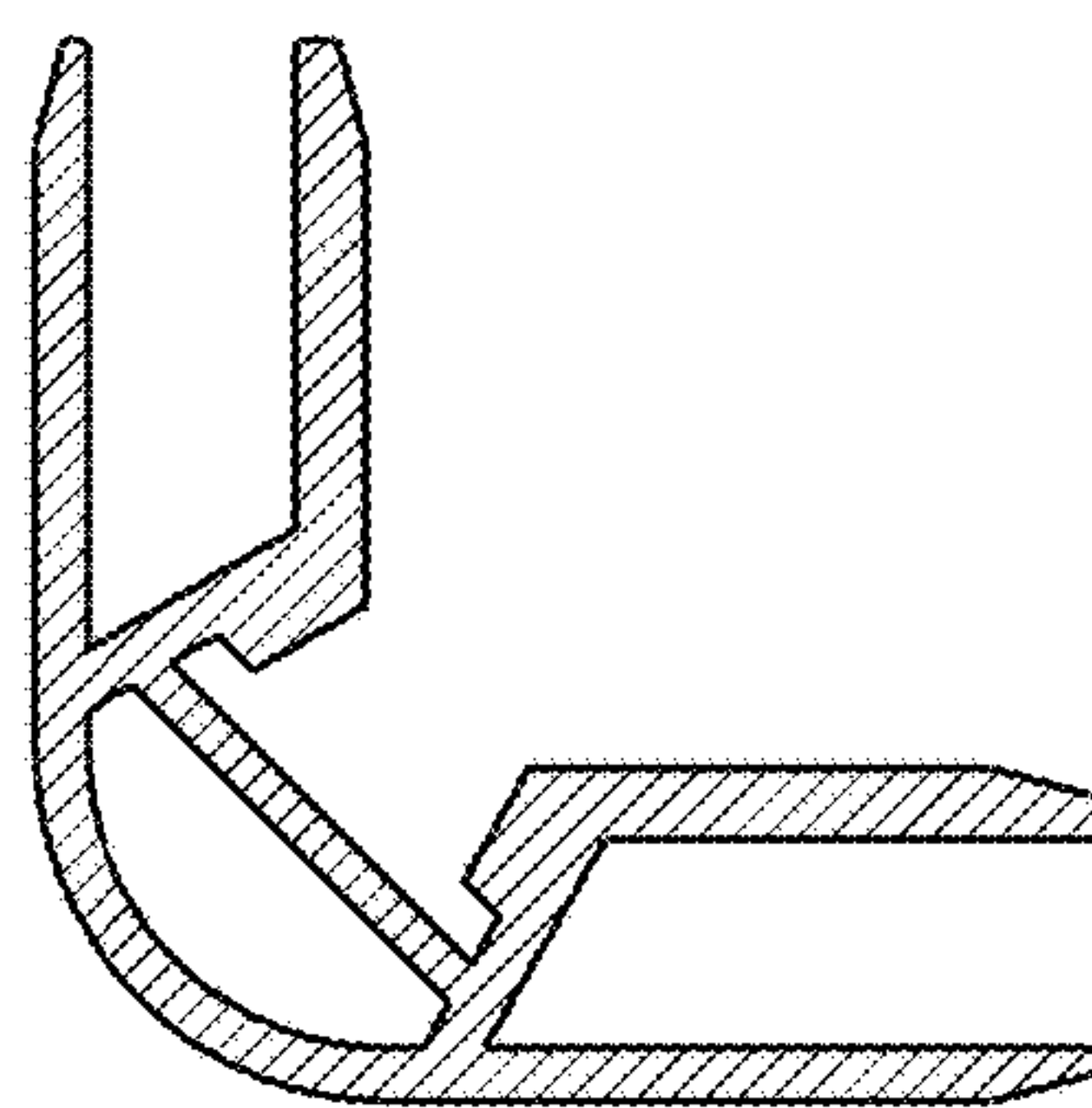


FIG. 3