



US00D831851S

(12) **United States Design Patent** (10) **Patent No.:** **US D831,851 S**  
**Nguyen** (45) **Date of Patent:** **\*\* Oct. 23, 2018**

- (54) **JOINT FOR STRUCTURAL MATERIALS**
- (71) Applicant: **NGUYEN CHI CO., LTD.**, Ho Chi Minh (VN)
- (72) Inventor: **Le Thanh Nguyen**, Ho Chi Minh (VN)
- (73) Assignee: **NGUYEN CHI CO., LTD.**, Ho Chi Minh (VN)
- (\*\*) Term: **15 Years**
- (21) Appl. No.: **29/636,606**
- (22) Filed: **Feb. 9, 2018**

**Related U.S. Application Data**

- (62) Division of application No. 29/587,255, filed on Dec. 12, 2016, now Pat. No. Des. 813,414.

**Foreign Application Priority Data**

- (30) Jun. 13, 2016 (JP) ..... 2016-12563
- Jun. 13, 2016 (JP) ..... 2016-12564
- Jun. 13, 2016 (JP) ..... 2016-12569
- Jun. 13, 2016 (JP) ..... 2016-12570
- Jun. 13, 2016 (JP) ..... 2016-12571
- Jun. 13, 2016 (JP) ..... 2016-12572
- Jun. 13, 2016 (JP) ..... 2016-12573
- Jun. 13, 2016 (JP) ..... 2016-12574

- (51) **LOC (11) Cl.** ..... **08-08**

- (52) **U.S. Cl.**  
USPC ..... **D25/61; D8/382**

- (58) **Field of Classification Search**  
USPC ..... D8/349, 382, 396; D13/112; D23/265;  
D25/61; D15/9  
CPC ..... E04B 1/26; E04B 1/3483; E04B 1/585;  
E04B 1/5831; E04C 3/04; E04C 3/08;  
Y10T 403/73; Y10T 403/341; Y10T  
403/342; Y10T 403/347; Y10T 403/4602;  
F16B 12/50

See application file for complete search history.

(56) **References Cited**

U.S. PATENT DOCUMENTS

D170,238 S *	8/1953	Raylor .....	D23/263
D170,239 S *	8/1953	Raylor .....	D23/265
D170,240 S *	8/1953	Raylor .....	D23/265
D174,950 S *	6/1955	Frishberg .....	446/111

(Continued)

FOREIGN PATENT DOCUMENTS

CN	303284406	*	7/2015
KR	300838974.0000	*	2/2016

OTHER PUBLICATIONS

<https://www.prolyte.com/en/products/aluminium-truss/corners/triangular-corners-h30d> Jul. 31, 2017 (Year: 2017).\*

*Primary Examiner* — Susan Bennett Hattan  
*Assistant Examiner* — Leanne Was-Englehart

(74) *Attorney, Agent, or Firm* — Oliff PLC

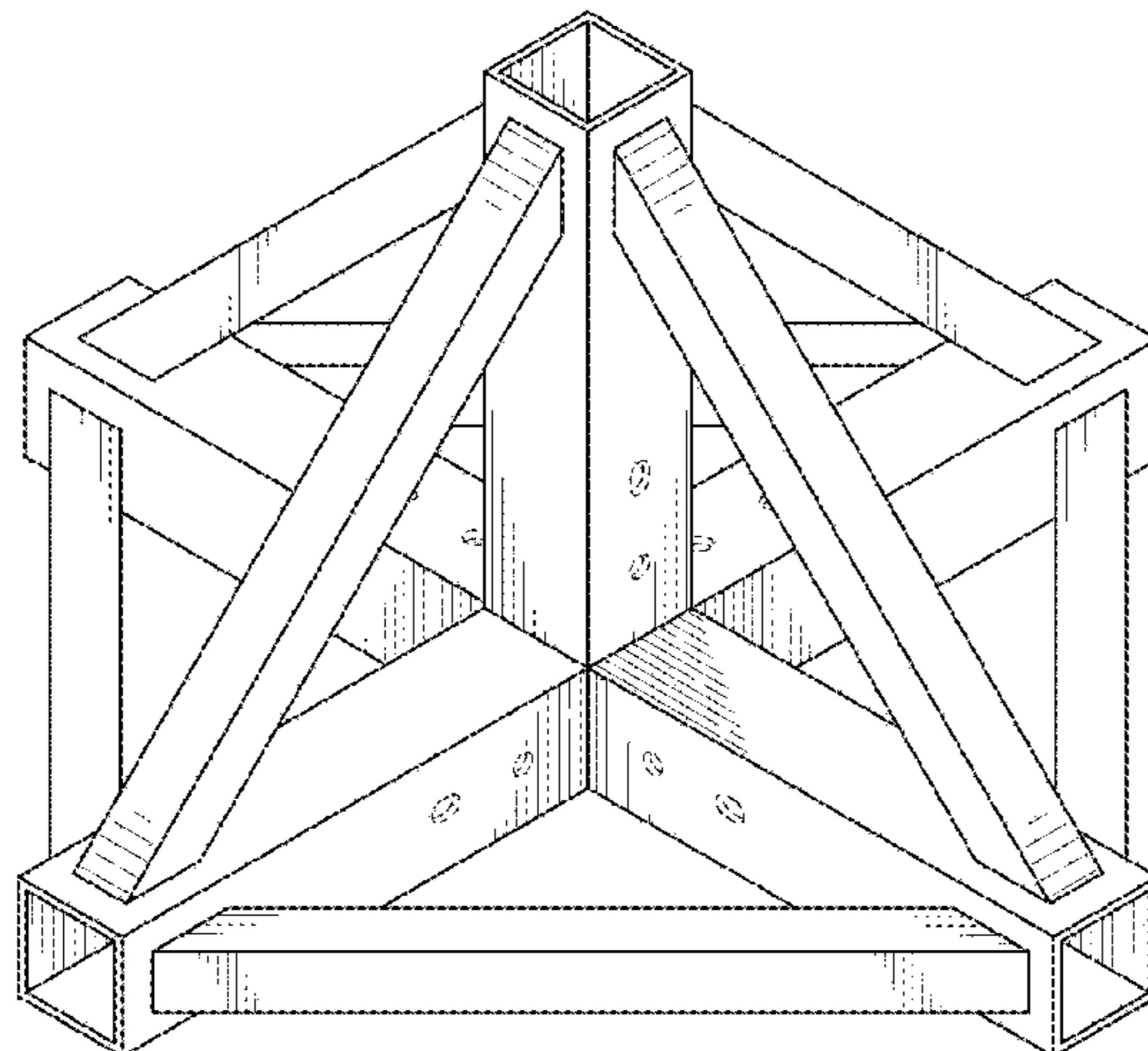
(57) **CLAIM**

The ornamental design for a joint for structural materials, as shown and described.

**DESCRIPTION**

FIG. 1 is a front, top, right-side perspective view of the joint for structural materials;  
 FIG. 2 is a rear, bottom, left-side perspective view thereof;  
 FIG. 3 is a front elevational view thereof, the rear elevational view (not provided) being identical;  
 FIG. 4 is a top plan view thereof;  
 FIG. 5 is a right-side elevational view thereof, the left-side elevational view thereof (not provided) being identical; and,  
 FIG. 6 is a bottom plan view thereof.  
 The broken lines depict unclaimed portions of the joint, and thus form no part of the claimed design.

**1 Claim, 6 Drawing Sheets**



(56)

References Cited

U.S. PATENT DOCUMENTS

2,926,941 A \* 3/1960 Thompson ..... A47B 47/0008  
403/173  
3,021,159 A \* 2/1962 Back ..... A47B 47/0008  
403/191  
3,424,178 A \* 1/1969 Yazaki ..... A01G 9/16  
135/157  
3,890,022 A \* 6/1975 Moon ..... A47B 47/0008  
312/111  
4,072,433 A \* 2/1978 Veyhl ..... F16B 12/50  
403/172  
D258,743 S \* 3/1981 Ruga ..... D21/484  
4,324,083 A \* 4/1982 Johnson, Jr. .... E04B 1/19  
403/172  
D297,668 S \* 9/1988 Smith ..... D25/61  
5,080,526 A \* 1/1992 Waters ..... E02B 3/129  
405/16  
5,372,447 A \* 12/1994 Chung ..... E04B 1/5831  
403/169  
5,372,448 A \* 12/1994 Gilb ..... E04B 1/26  
403/170

5,402,608 A \* 4/1995 Chu ..... E04B 1/3483  
52/745.2  
D362,509 S \* 9/1995 Russell ..... D25/61  
5,700,102 A \* 12/1997 Feleppa ..... A47B 47/0016  
403/170  
6,408,587 B2 \* 6/2002 Cronin ..... E04C 3/04  
182/178.1  
6,523,320 B2 \* 2/2003 Stoof ..... B66C 23/28  
52/651.05  
D554,770 S \* 11/2007 Pena ..... D25/61  
D555,257 S \* 11/2007 Pena ..... D25/61  
D556,916 S \* 12/2007 Pena ..... D25/61  
D601,718 S \* 10/2009 Chang ..... D25/61  
D745,703 S \* 12/2015 Ivanov ..... D25/61  
9,212,479 B1 \* 12/2015 Pacaci ..... E04B 1/1903  
D783,390 S \* 4/2017 Nelson ..... D8/349  
9,731,773 B2 \* 8/2017 Gami ..... B62D 27/02  
D813,414 S \* 3/2018 Nguyen ..... D25/61  
2012/0291365 A1 \* 11/2012 Rodriguez ..... E04B 1/00  
52/79.9  
2014/0331591 A1 \* 11/2014 Ohlson ..... E04B 1/585  
52/653.2  
2017/0362811 A1 \* 12/2017 King, Jr. .... A63H 33/108  
2017/0367501 A1 \* 12/2017 Goppion ..... A47F 3/005

\* cited by examiner

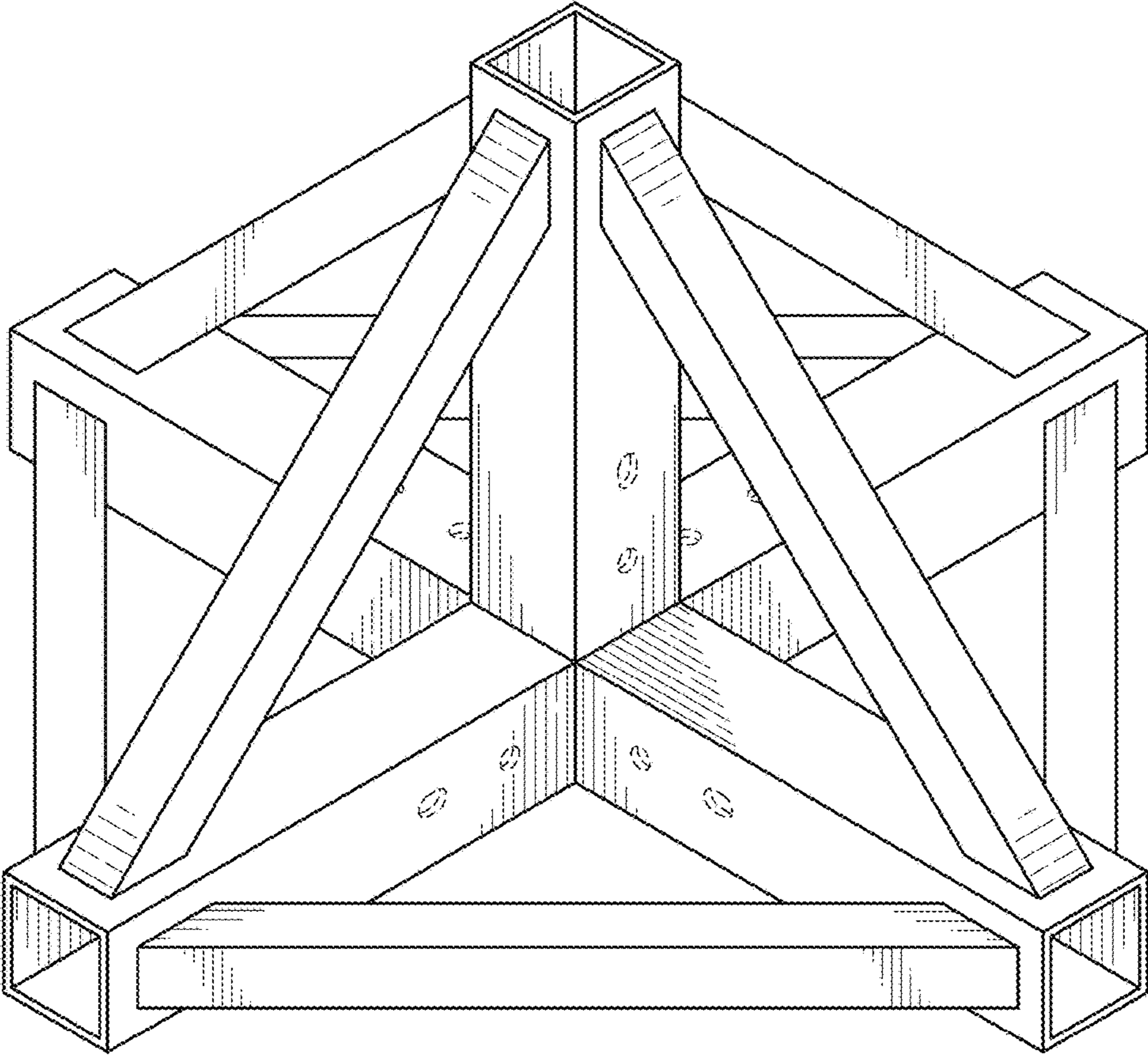


FIG. 1

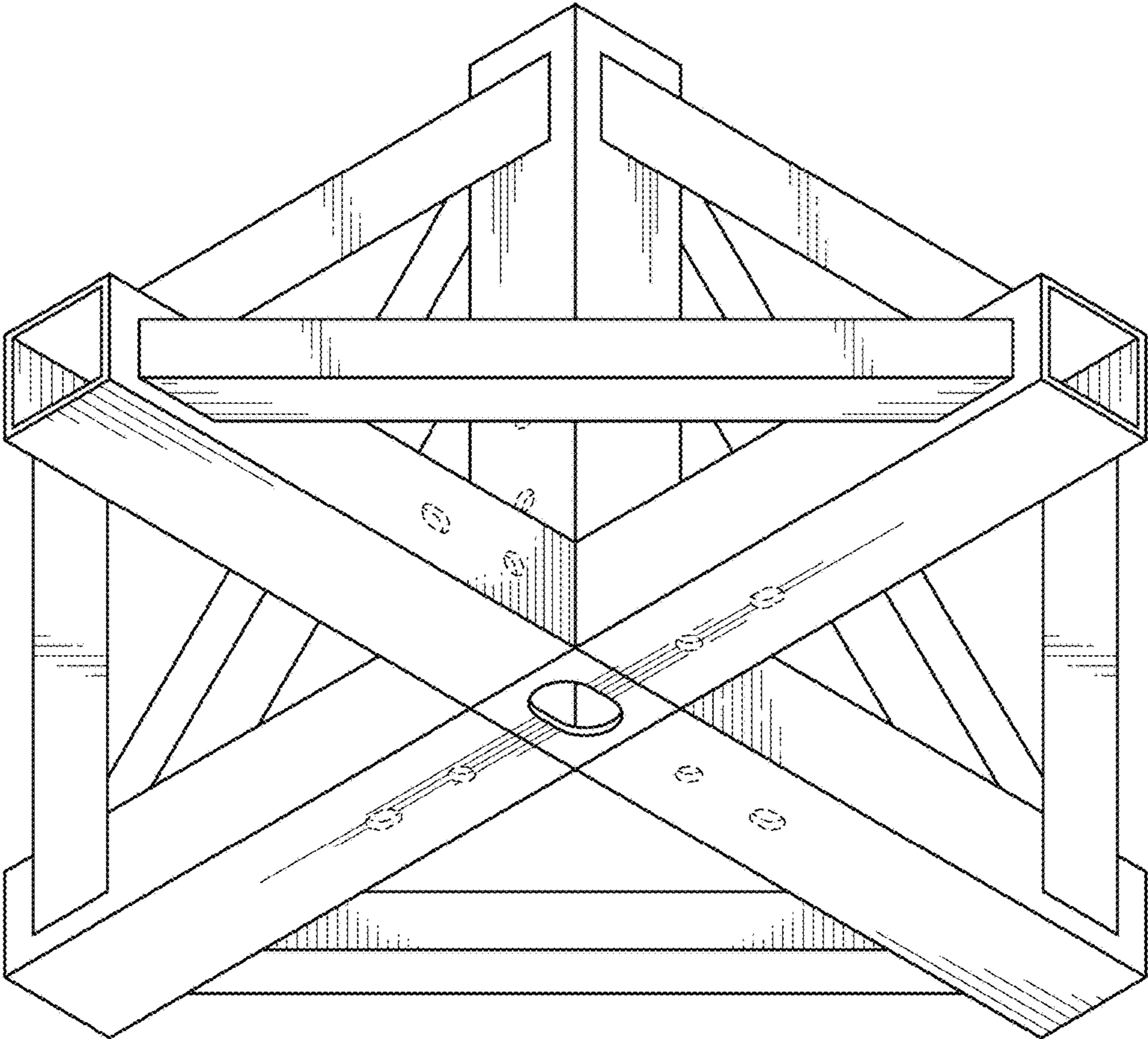


FIG. 2

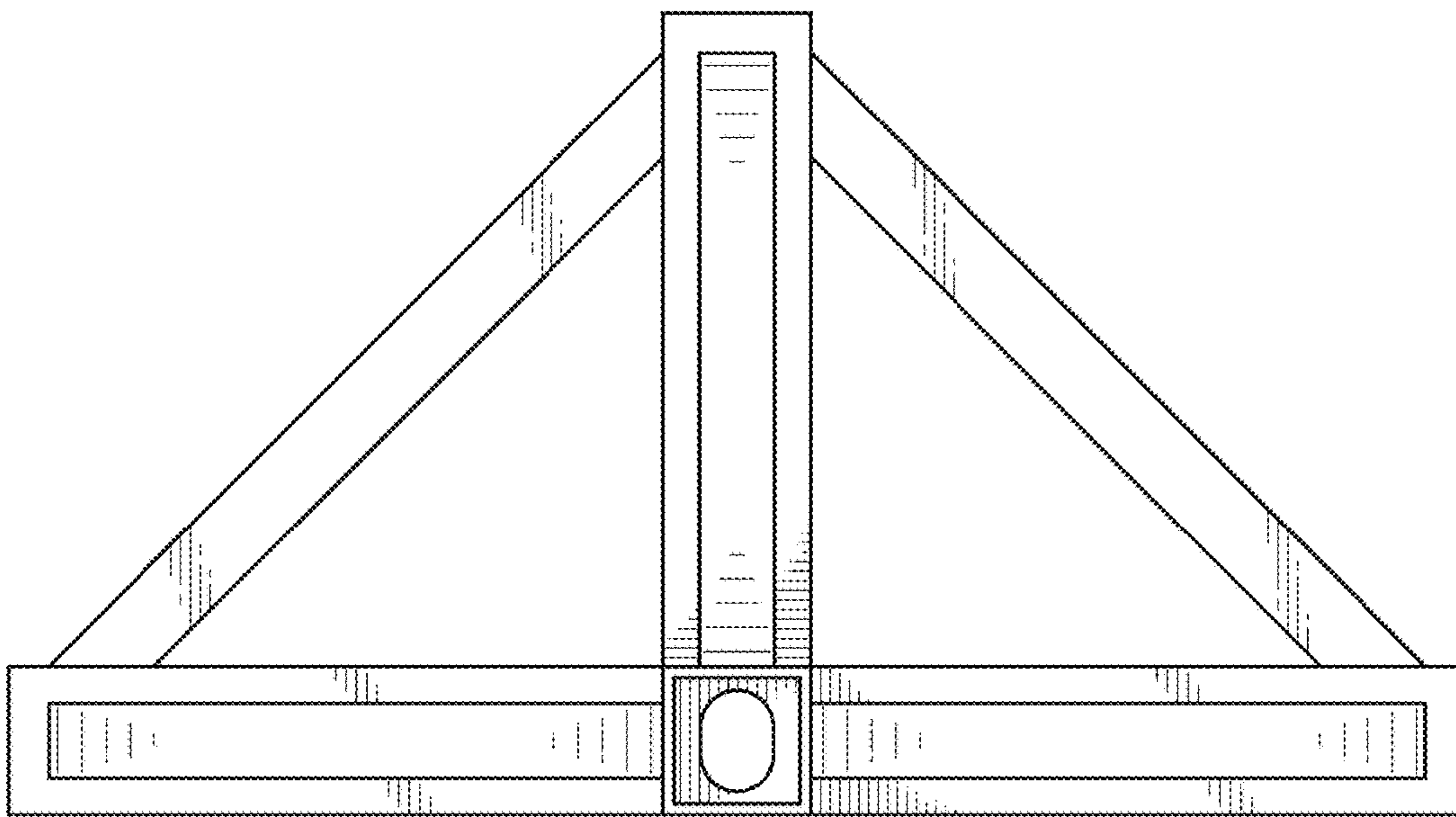


FIG. 3

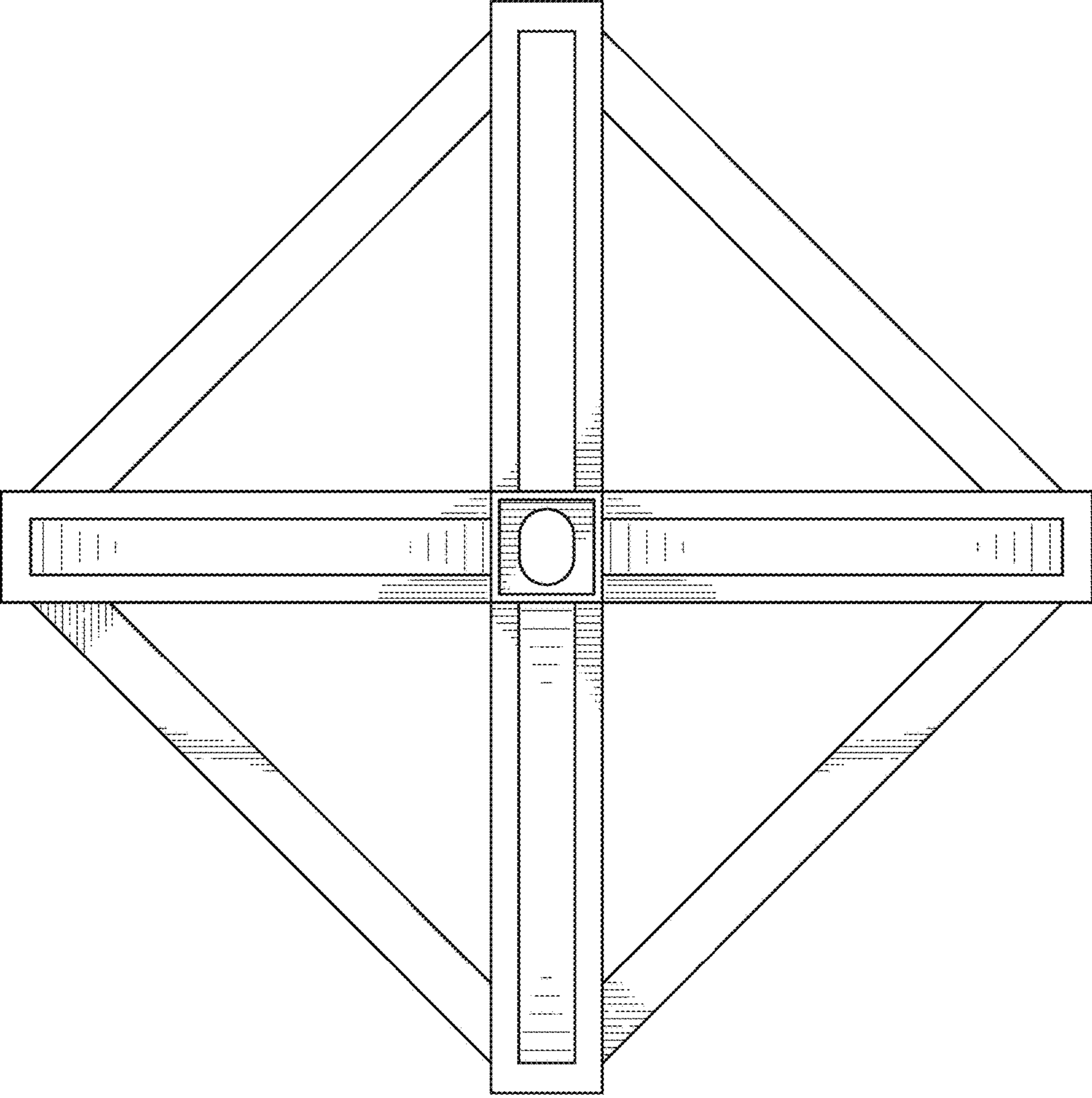


FIG. 4

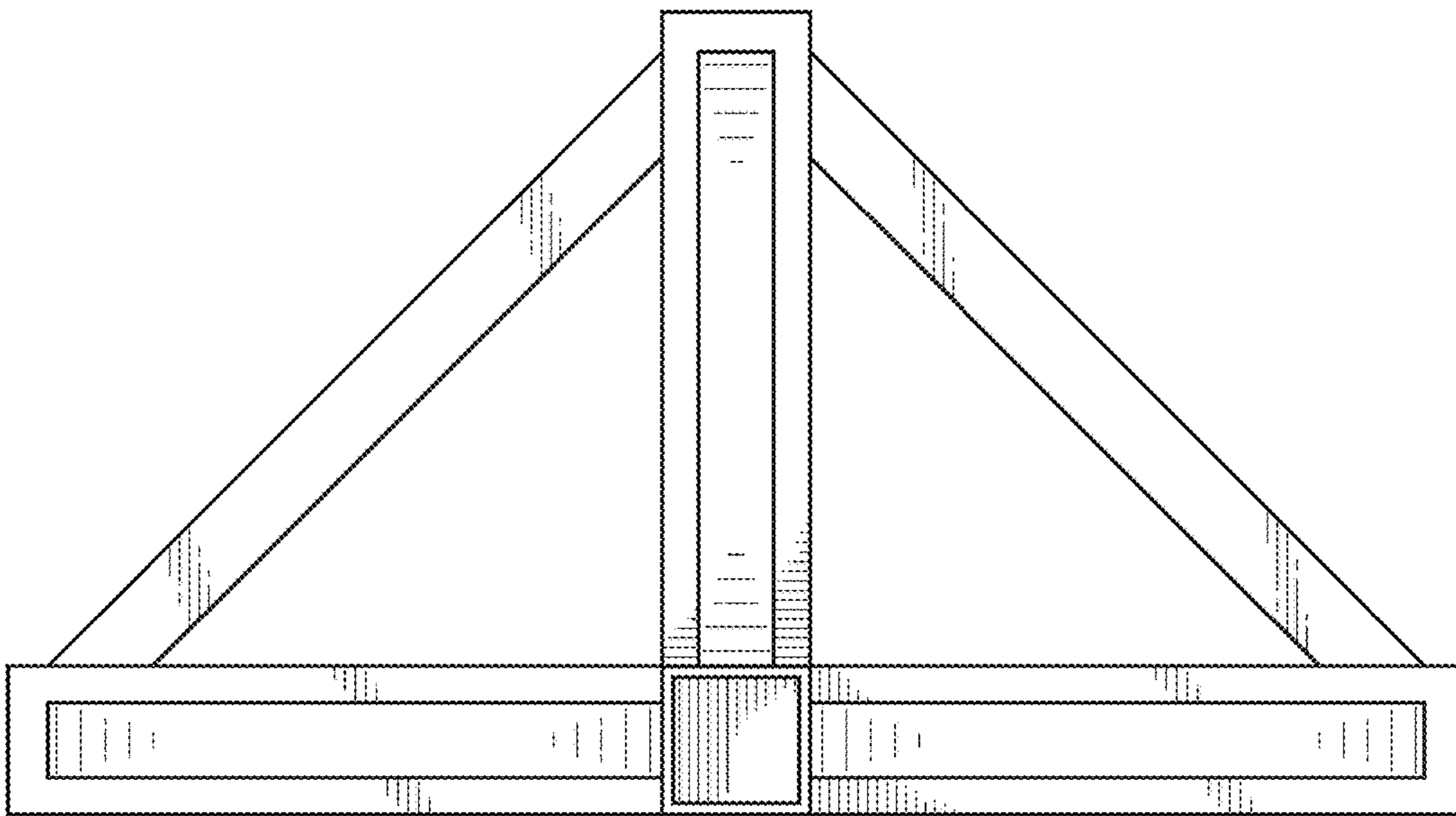


FIG. 5

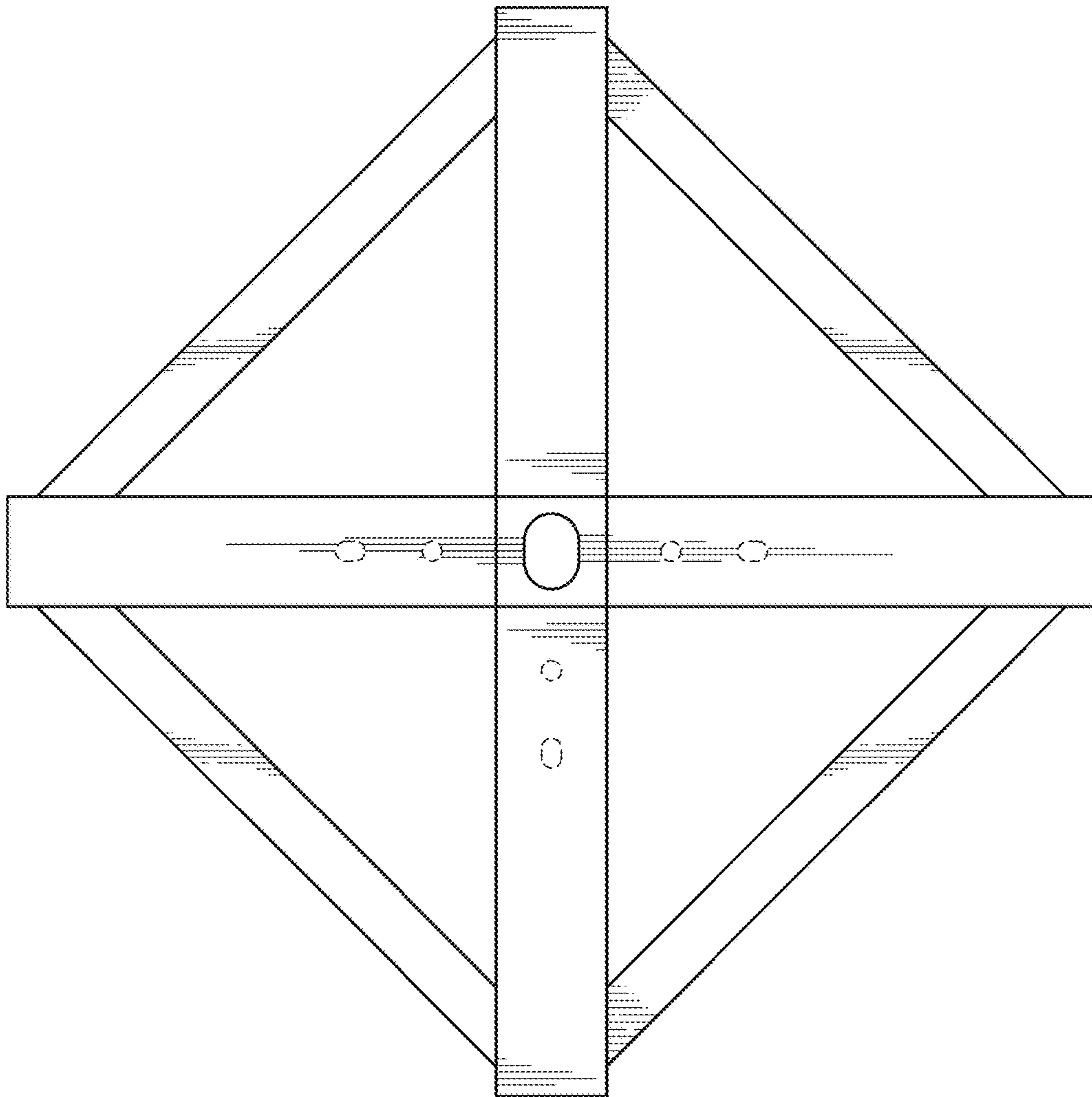


FIG. 6