



US00D831849S

(12) **United States Design Patent** (10) **Patent No.:** **US D831,849 S**  
**Nguyen** (45) **Date of Patent:** **\*\* Oct. 23, 2018**

- (54) **JOINT FOR STRUCTURAL MATERIALS**
- (71) Applicant: **Nguyen Chi Co., Ltd.**, Ho Chi Minh (VN)
- (72) Inventor: **Le Thanh Nguyen**, Ho Chi Minh (VN)
- (73) Assignee: **NGUYEN CHI CO., LTD.**, Ho Chi Minh (VN)
- (\*\*) Term: **15 Years**
- (21) Appl. No.: **29/636,598**
- (22) Filed: **Feb. 9, 2018**

**Related U.S. Application Data**

- (62) Division of application No. 29/587,255, filed on Dec. 12, 2016, now Pat. No. Des. 813,414.

(30) **Foreign Application Priority Data**

Jun. 13, 2016	(JP)	2016-12563
Jun. 13, 2016	(JP)	2016-12564
Jun. 13, 2016	(JP)	2016-12569
Jun. 13, 2016	(JP)	2016-12570
Jun. 13, 2016	(JP)	2016-12571
Jun. 13, 2016	(JP)	2016-12572
Jun. 13, 2016	(JP)	2016-12573
Jun. 13, 2016	(JP)	2016-12574

- (51) **LOC (11) Cl.** ..... **08-08**

- (52) **U.S. Cl.**  
USPC ..... **D25/61; D8/382**

- (58) **Field of Classification Search**  
USPC ..... D8/349, 382, 396; D13/112; D23/265; D25/61; D15/9  
CPC ..... E04B 1/26; E04B 1/3483; E04B 1/585; E04B 1/5831; E04C 3/04; E04C 3/08; Y10T 403/73; Y10T 403/341; Y10T 403/342; Y10T 403/347; Y10T 403/4602; F16B 12/50

See application file for complete search history.

(56) **References Cited**

U.S. PATENT DOCUMENTS

D170,238 S *	8/1953	Raylor	.....	D23/263
D170,239 S *	8/1953	Raylor	.....	D23/265
D170,240 S *	8/1953	Raylor	.....	D23/265
D174,950 S *	6/1955	Frishberg	.....	446/111

(Continued)

FOREIGN PATENT DOCUMENTS

CN	303284406	*	7/2015
KR	300838974.0000	*	2/2016

OTHER PUBLICATIONS

<https://www.prolyte.com/en/products/aluminium-truss/corners/triangular-corners-h30d> Jul. 31, 2017 (Year: 2017).\*

*Primary Examiner* — Susan Bennett Hattan  
*Assistant Examiner* — Leanne Was-Englehart

(74) *Attorney, Agent, or Firm* — Oliff PLC

(57) **CLAIM**

The ornamental design for a joint for structural materials, as shown and described.

**DESCRIPTION**

FIG. 1 is a front, top, right-side perspective view of the joint for structural materials;

FIG. 2 is a rear, bottom, left-side perspective view thereof;

FIG. 3 is a front elevational view thereof;

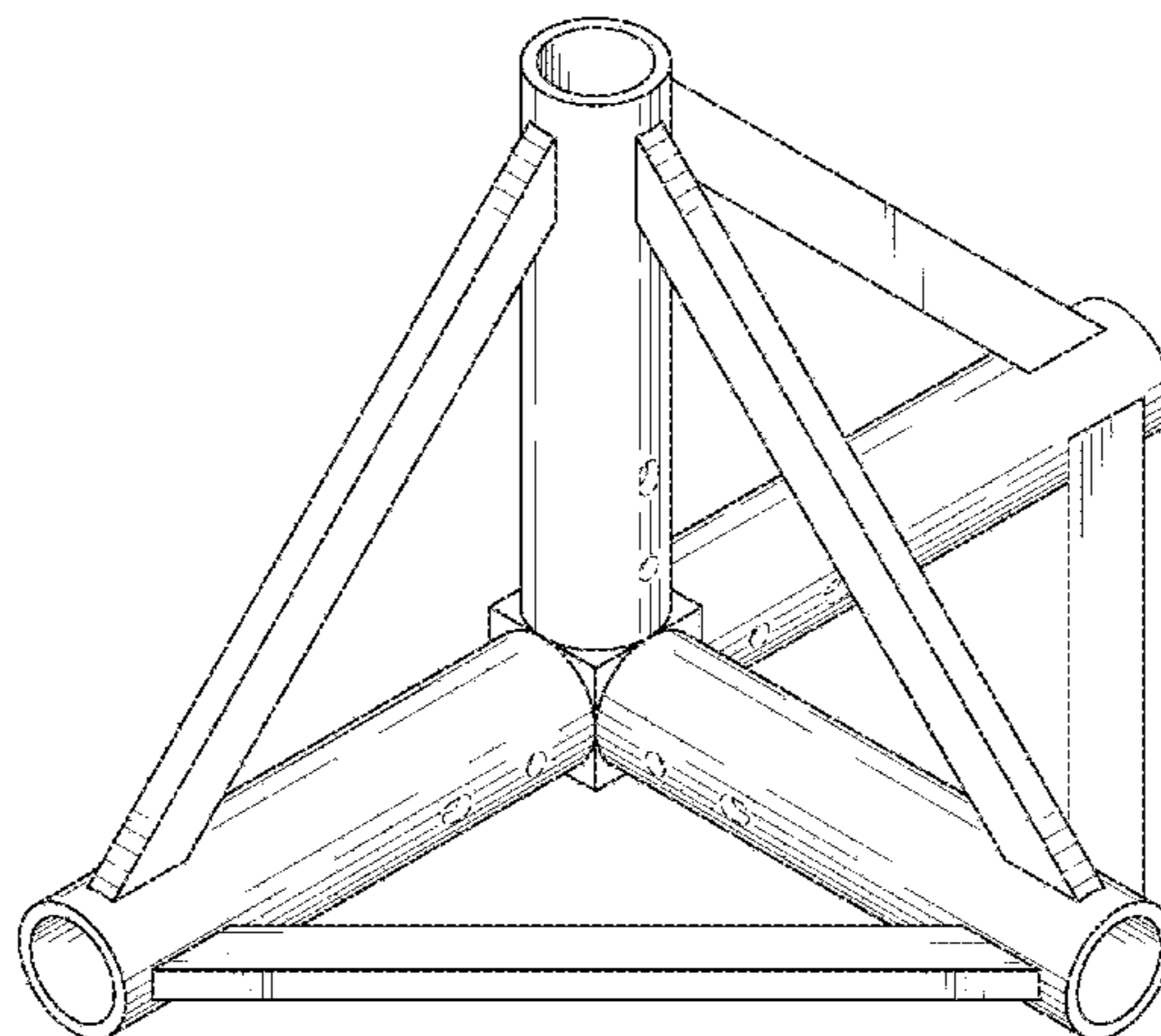
FIG. 4 is a right-side elevational view thereof, the left-side elevational view thereof (not provided) being a mirror image thereof;

FIG. 5 is a rear elevational view thereof; and,

FIG. 6 is a bottom plan view thereof.

The broken lines depict unclaimed portions of the joint, and thus form no part of the claimed design.

**1 Claim, 4 Drawing Sheets**



(56)

References Cited

U.S. PATENT DOCUMENTS

2,926,941 A *	3/1960	Thompson	.....	A47B 47/0008	403/173	5,402,608 A *	4/1995	Chu	.....	E04B 1/3483	52/745.2
3,021,159 A *	2/1962	Back	.....	A47B 47/0008	403/191	D362,509 S *	9/1995	Russell	.....	D25/61	
3,424,178 A *	1/1969	Yoshimi	.....	A01G 9/16	135/157	5,700,102 A *	12/1997	Feleppa	.....	A47B 47/0016	403/170
3,890,022 A *	6/1975	Moon	.....	A47B 47/0008	312/111	6,408,587 B2 *	6/2002	Cronin	.....	E04C 3/04	182/178.1
4,072,433 A *	2/1978	Veyhl	.....	F16B 12/50	403/172	6,523,320 B2 *	2/2003	Stoof	.....	B66C 23/28	52/651.05
D258,743 S *	3/1981	Ruga	.....	D21/484		D554,770 S *	11/2007	Pena	.....	D25/61	
4,324,083 A *	4/1982	Johnson, Jr.	.....	E04B 1/19	403/172	D555,257 S *	11/2007	Pena	.....	D25/61	
D297,668 S *	9/1988	Smith	.....	D25/61		D556,916 S *	12/2007	Pena	.....	D25/61	
5,080,526 A *	1/1992	Waters	.....	E02B 3/129	405/16	D601,718 S *	10/2009	Chang	.....	D25/61	
5,372,447 A *	12/1994	Chung	.....	E04B 1/5831	403/169	D745,703 S *	12/2015	Ivanov	.....	D25/61	
5,372,448 A *	12/1994	Gilb	.....	E04B 1/26	403/170	9,212,479 B1 *	12/2015	Pacaci	.....	E04B 1/1903	
						D783,390 S *	4/2017	Nelson	.....	D8/349	
						9,731,773 B2 *	8/2017	Gami	.....	B62D 27/02	
						D813,414 S *	3/2018	Nguyen	.....	D25/61	
						2012/0291365 A1 *	11/2012	Rodriguez	.....	E04B 1/00	52/79.9
						2014/0331591 A1 *	11/2014	Ohlson	.....	E04B 1/585	52/653.2
						2017/0362811 A1 *	12/2017	King, Jr.	.....	A63H 33/108	
						2017/0367501 A1 *	12/2017	Goppion	.....	A47F 3/005	

\* cited by examiner

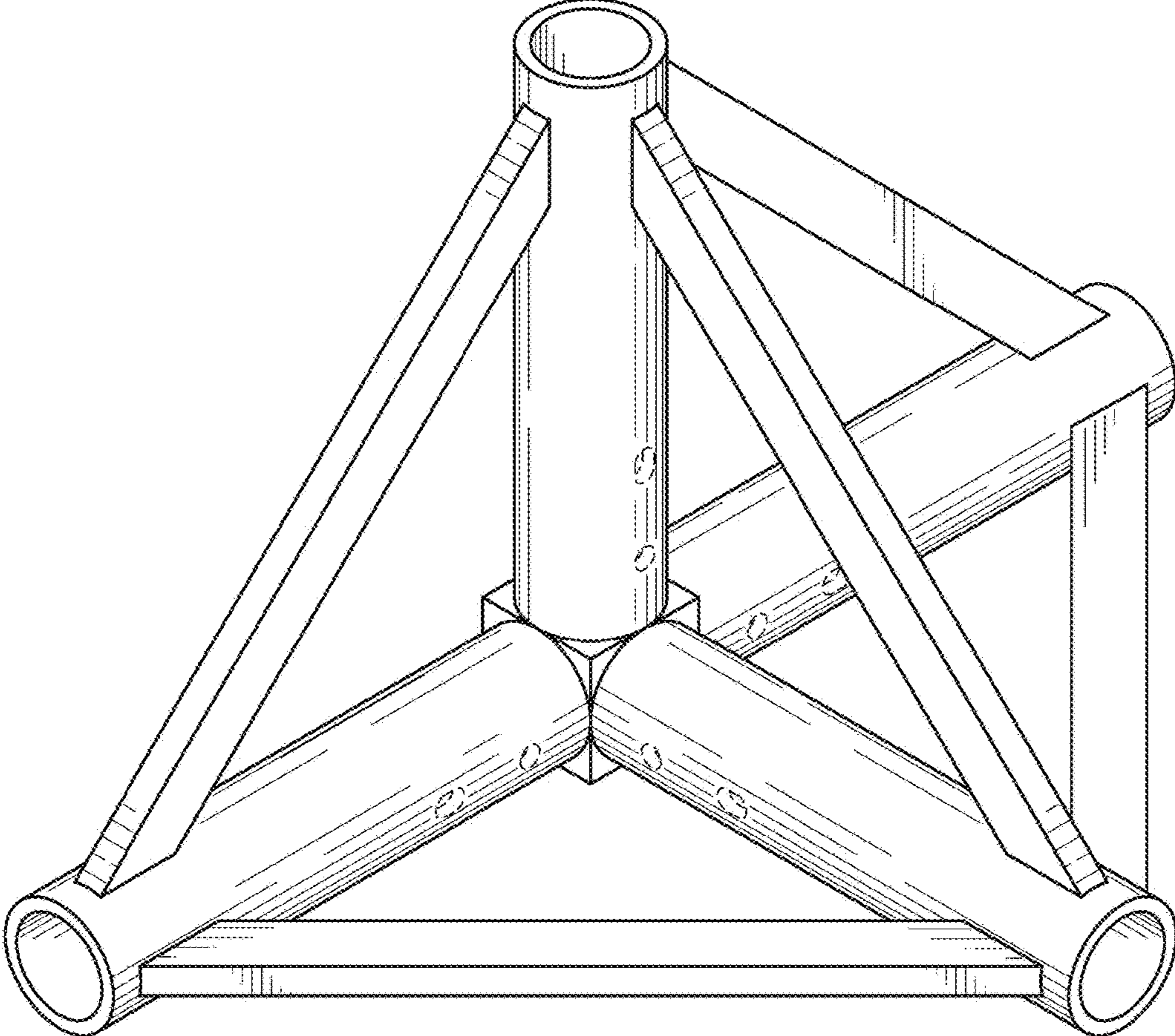


FIG. 1

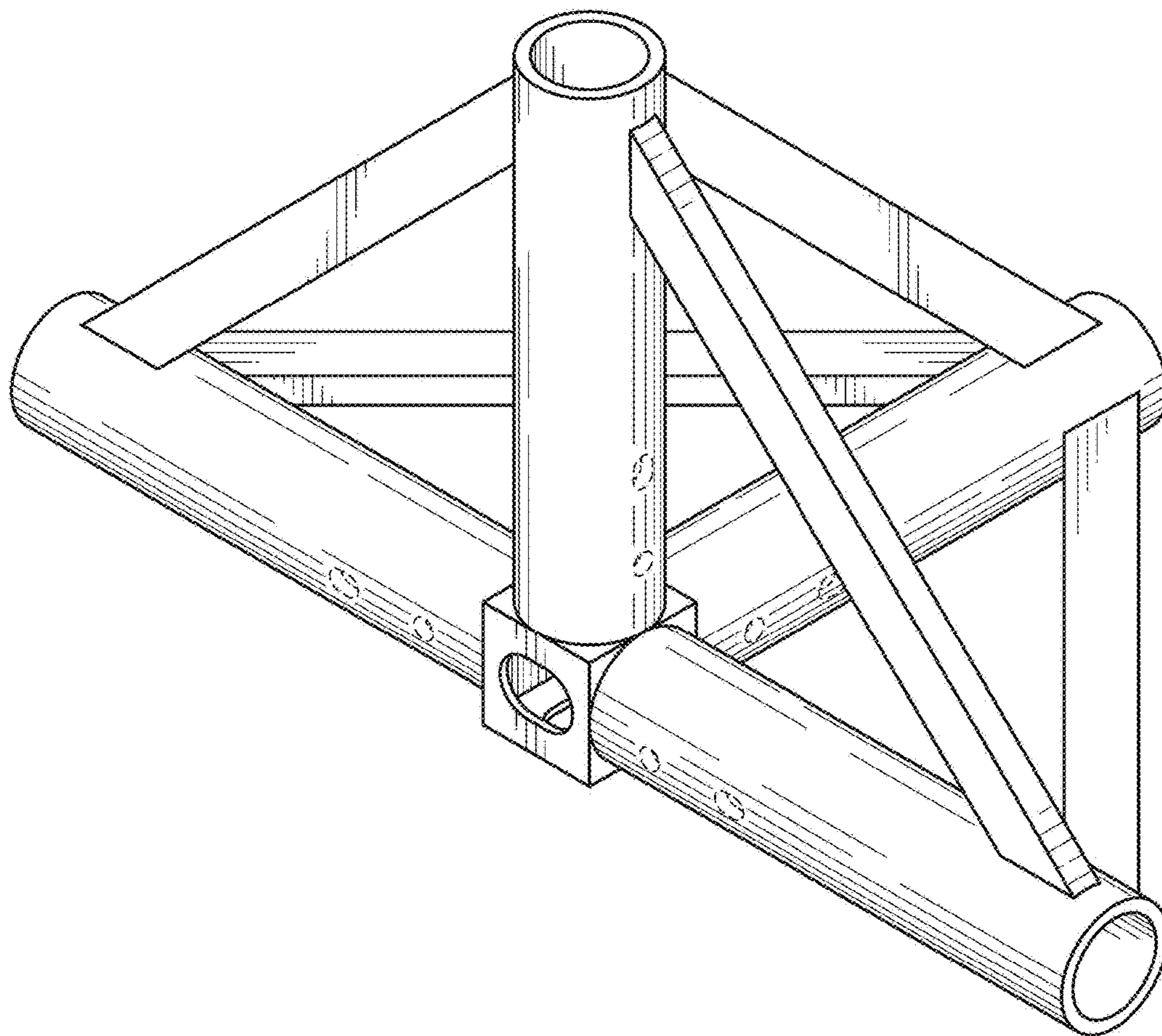


FIG. 2

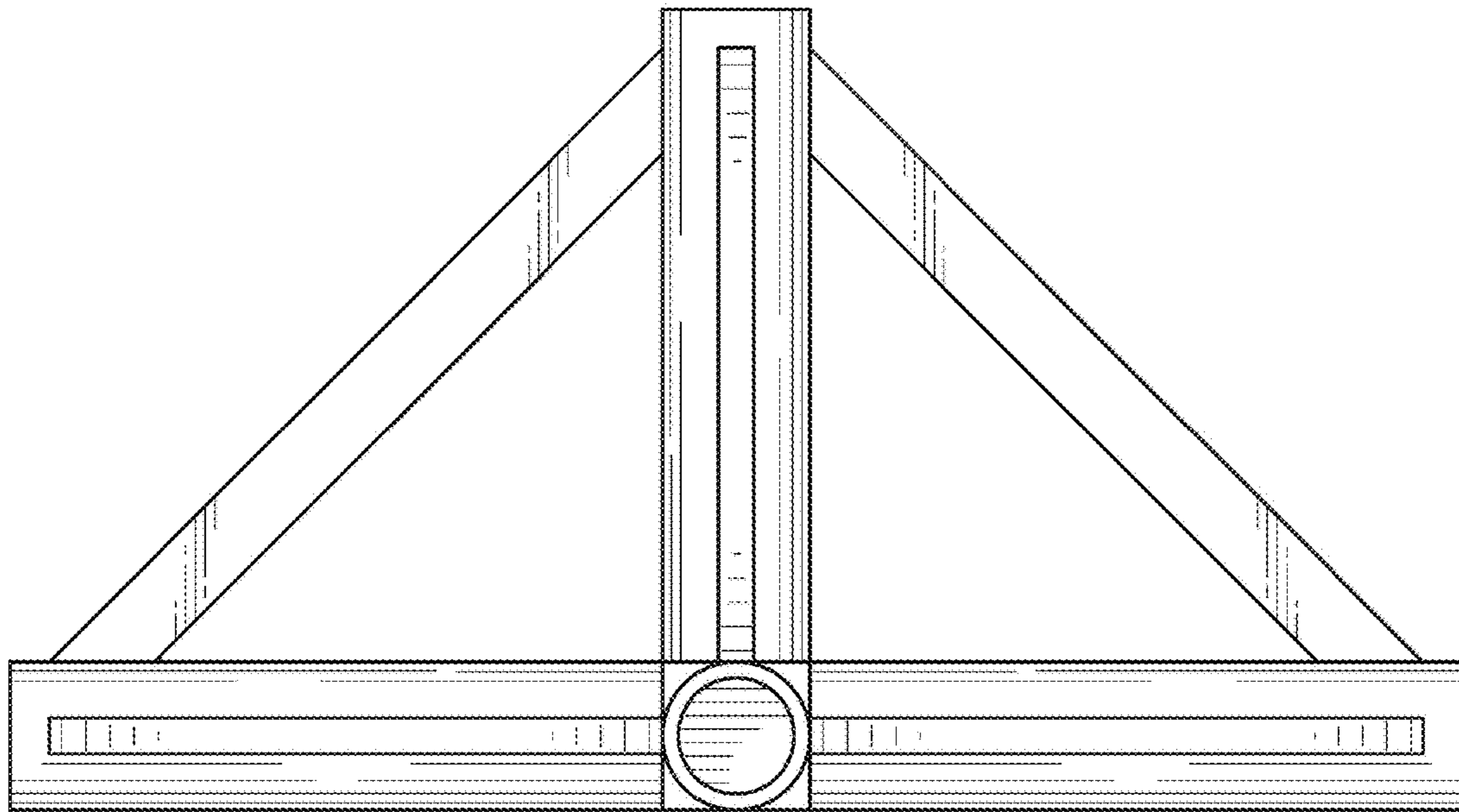


FIG. 3

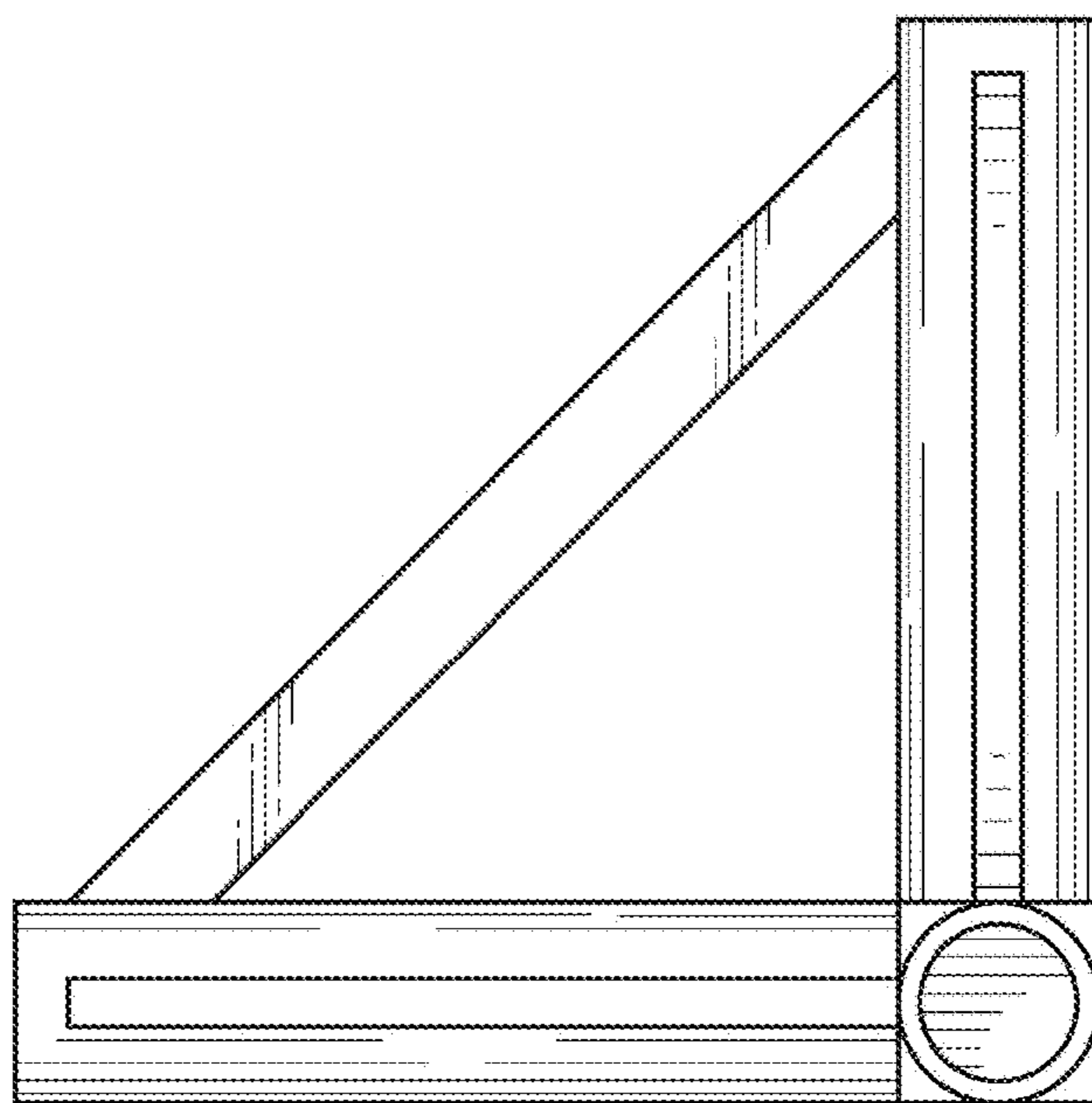


FIG. 4

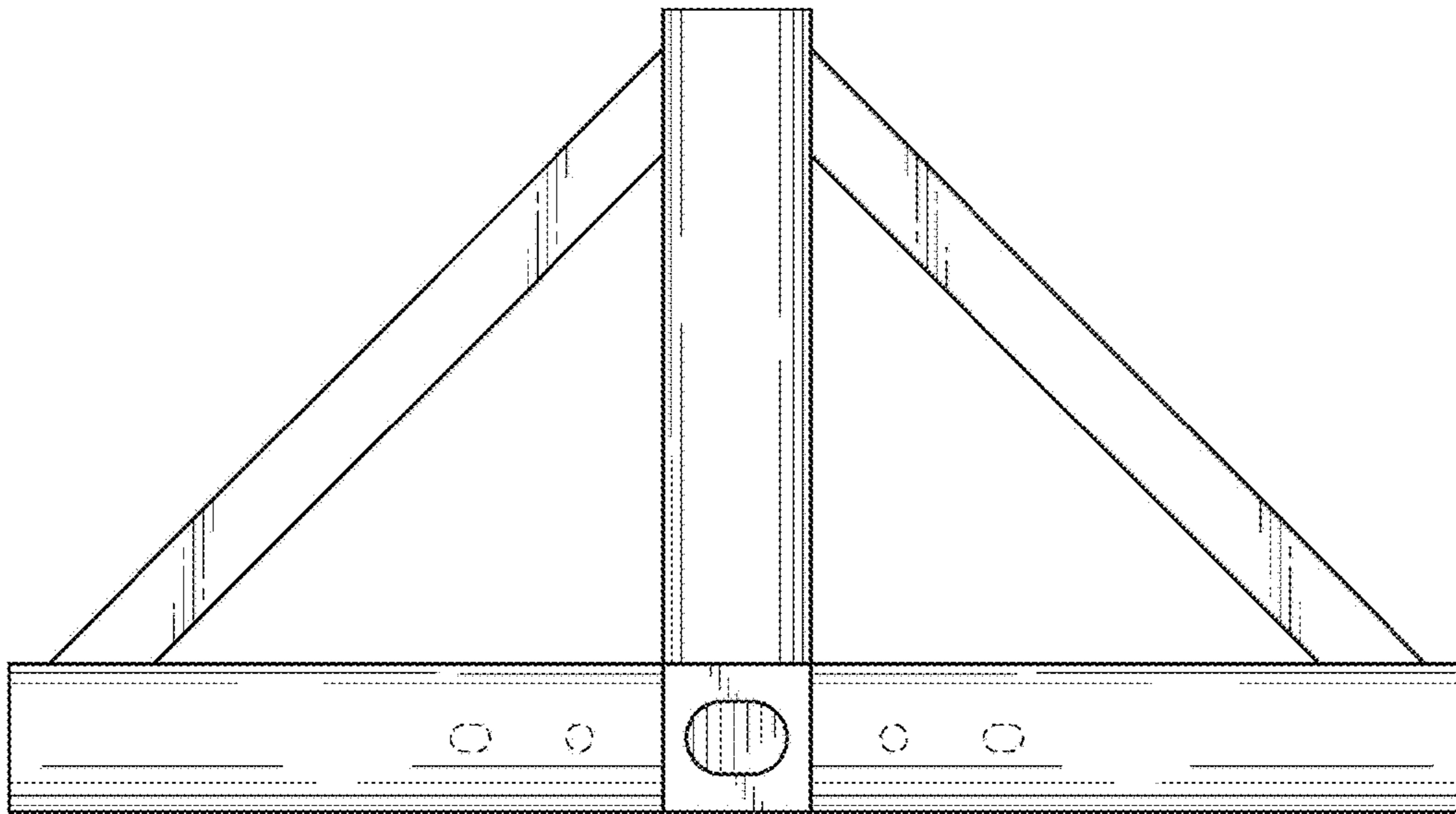


FIG. 5

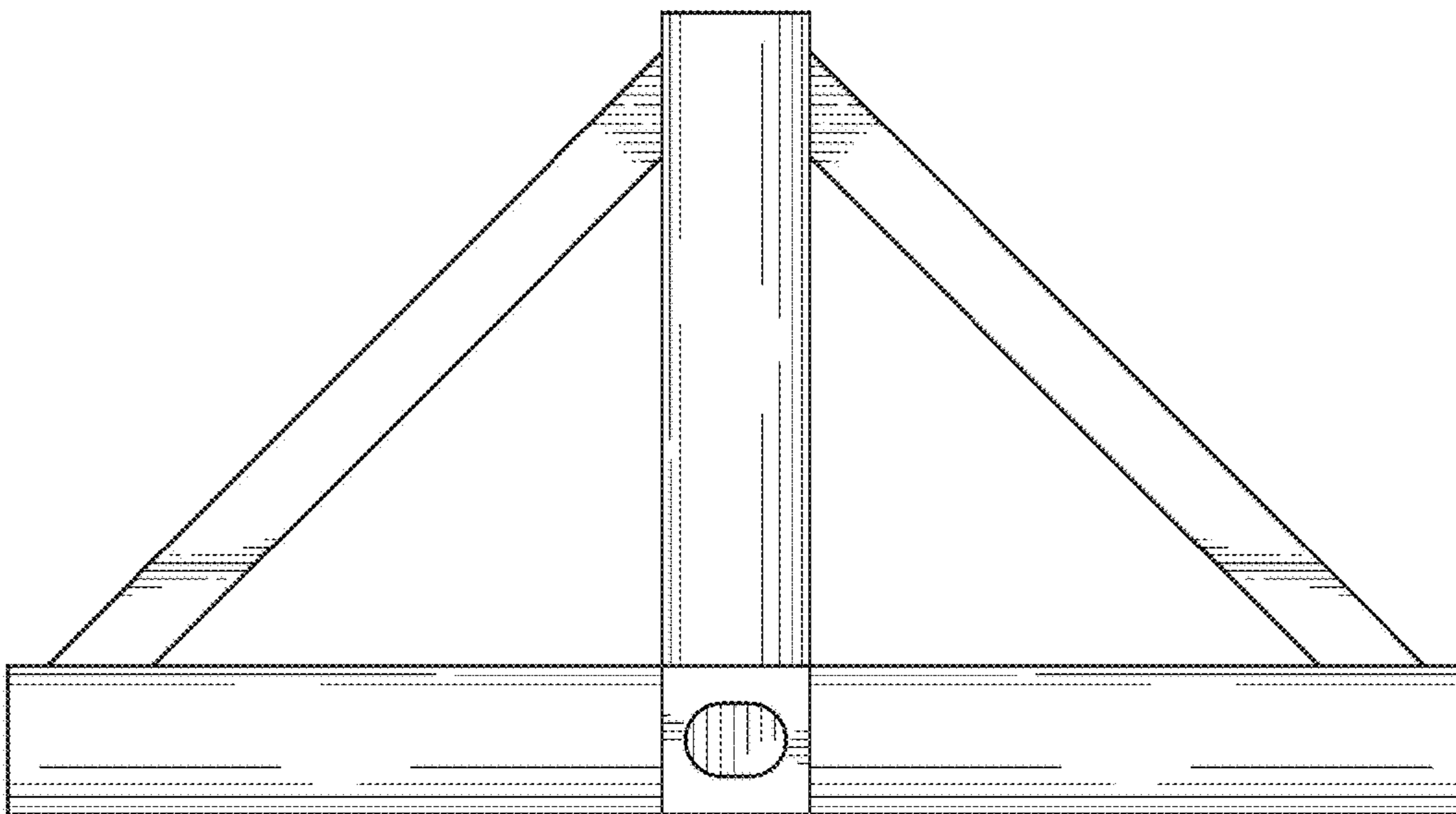


FIG. 6