



US00D831845S

(12) **United States Design Patent** (10) **Patent No.:** **US D831,845 S**
Sugie (45) **Date of Patent:** **** Oct. 23, 2018**

(54) **LIQUID SAMPLE CONTAINER**
(71) Applicant: **SHIMADZU CORPORATION**, Kyoto (JP)
(72) Inventor: **Tomoya Sugie**, Otsu (JP)
(73) Assignee: **SHIMADZU CORPORATION**, Kyoto (JP)
(**) Term: **15 Years**
(21) Appl. No.: **29/590,617**
(22) Filed: **Jan. 12, 2017**

(30) **Foreign Application Priority Data**
Sep. 16, 2016 (JP) 2016-020086
(51) **LOC (11) Cl.** **24-01**
(52) **U.S. Cl.**
USPC **D24/225**
(58) **Field of Classification Search**
USPC D24/216–217, 219, 222–226, 227, 231, D24/232, 107, 169, 186, 108, 121; D10/81; 422/400–404, 408, 430, 68.1, 422/56, 69, 500, 503, 551, 554; 435/287.1, 287.3, 287.4, 288.1, 288.3, 435/288.7, 806, 288.5, 288.4, 287.2
CPC B01L 2300/0822; B01L 2300/0825; B01L 2300/0829; B01L 3/5027; B01L 3/502707
See application file for complete search history.

(56) **References Cited**
U.S. PATENT DOCUMENTS
5,714,389 A * 2/1998 Charlton B01L 3/5023 435/970
D438,310 S * 2/2001 Yamanishi D24/216

D531,321 S * 10/2006 Godfrey D24/225
D633,209 S * 2/2011 Boessneck D24/169
D639,976 S * 6/2011 Francis D24/225
D640,389 S * 6/2011 Francis D24/225
D667,562 S * 9/2012 Nguyen D24/224
D720,864 S * 1/2015 Behar D24/223
D735,879 S * 8/2015 Behar D24/223
D738,526 S * 9/2015 Huang D24/224
D764,069 S * 8/2016 Peluso D24/223
2010/0024530 A1 * 2/2010 Hopkins, II B01L 3/5023 73/64.56
2011/0318755 A1 * 12/2011 Piasio G01N 21/03 435/7.9
2012/0073966 A1 * 3/2012 Hsu G01N 27/3272 204/400

* cited by examiner

Primary Examiner — Anhdao Doan
Assistant Examiner — Mary Shannon Malley
(74) *Attorney, Agent, or Firm* — JCIPRNET

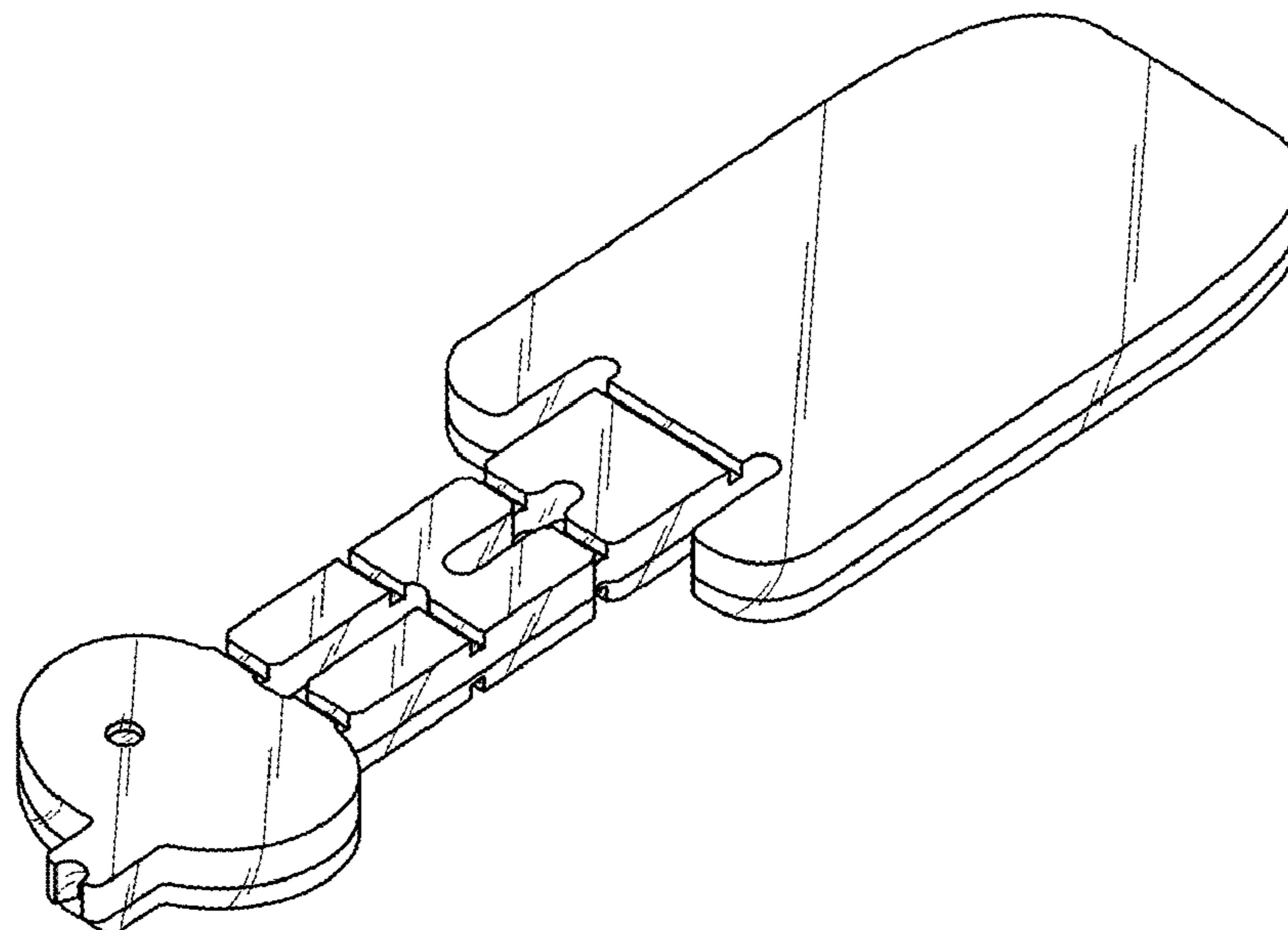
(57) **CLAIM**

The ornamental design for a liquid sample container, as shown.

DESCRIPTION

FIG. 1 is a perspective view of a liquid sample container showing my new design;
FIG. 2 is a front view thereof;
FIG. 3 is a rear view thereof;
FIG. 4 is a left side view thereof;
FIG. 5 is a right side view thereof;
FIG. 6 is a top view thereof;
FIG. 7 is a bottom view thereof; and,
FIG. 8 is a cross-sectional view taken along line 8-8 in FIG. 2.

1 Claim, 2 Drawing Sheets



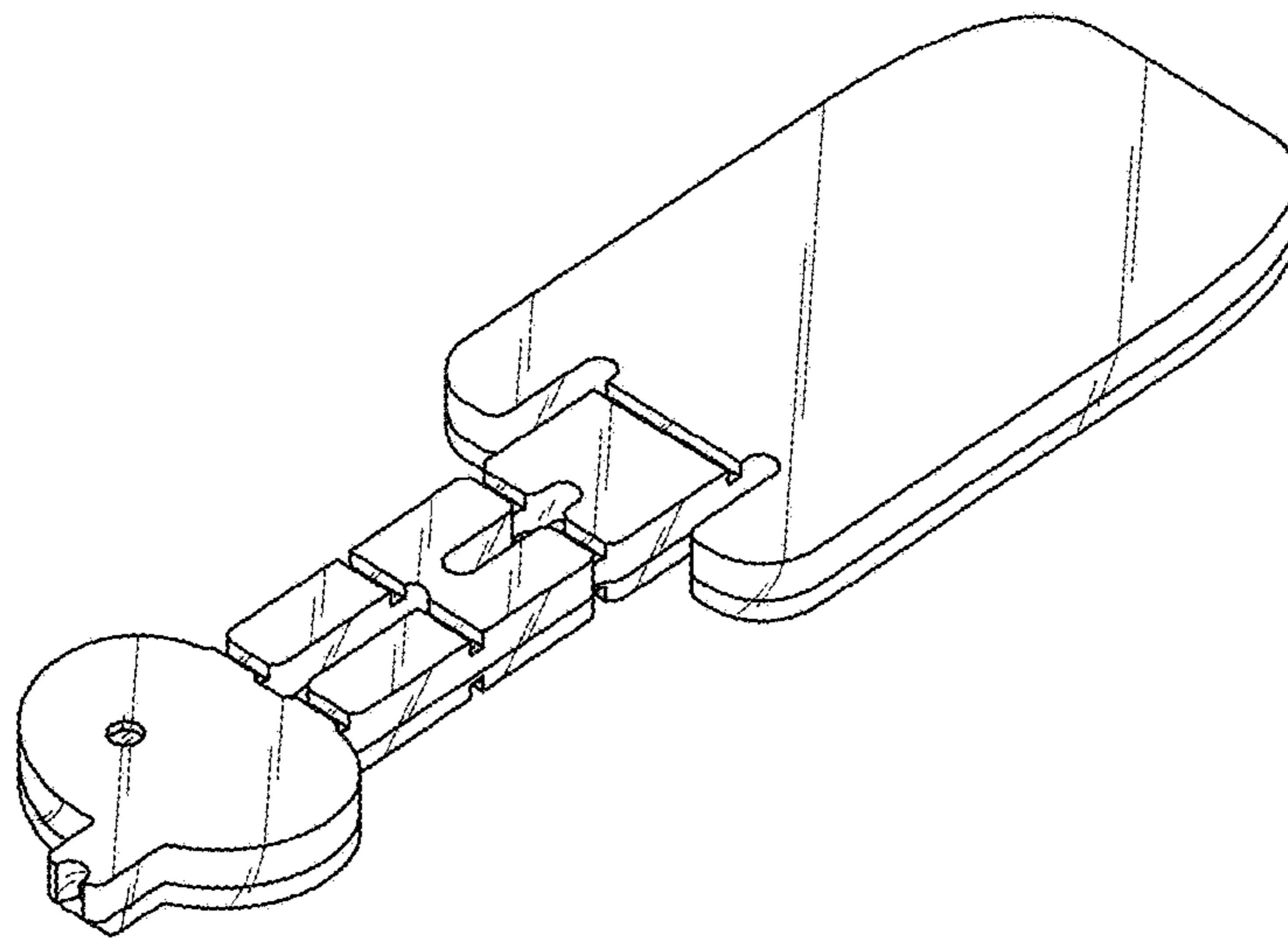


FIG. 1

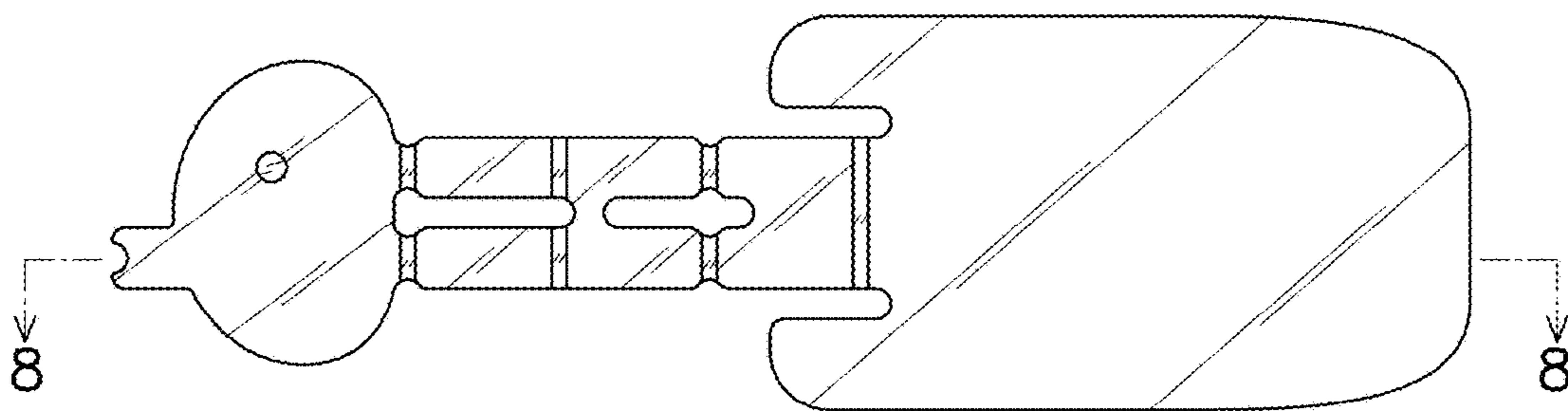


FIG. 2

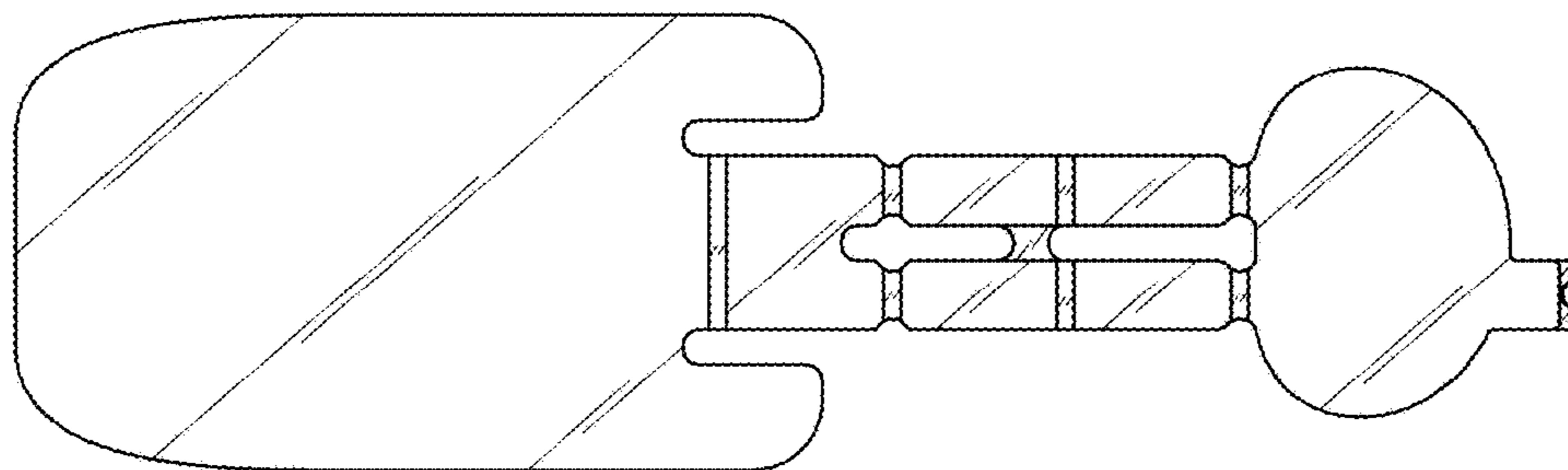


FIG. 3



FIG. 4



FIG. 5

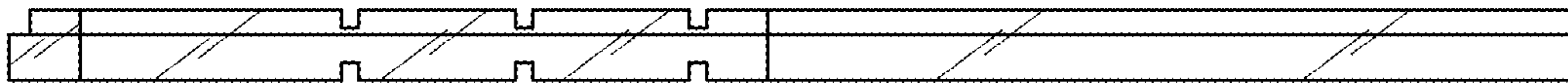


FIG. 6



FIG. 7

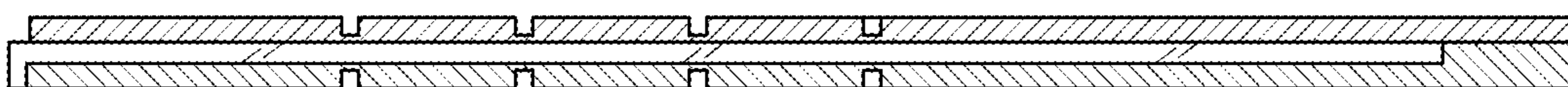


FIG. 8