



US00D831843S

(12) **United States Design Patent** (10) **Patent No.:** **US D831,843 S**
Lentz et al. (45) **Date of Patent:** **** Oct. 23, 2018**

(54) **SINGLE PIECE REAGENT HOLDER**

FOREIGN PATENT DOCUMENTS

(71) Applicant: **BECTON, DICKINSON AND COMPANY**, Franklin Lakes, NJ (US)

CA 2294819 1/1999
CN 1968754 A 5/2007

(Continued)

(72) Inventors: **Ammon David Lentz**, York, PA (US);
Richard St. Pierre, Québec (CA);
Dwight Livingston, Fallston, MD (US);
Adam Bruce Steel, Fallston, MD (US)

OTHER PUBLICATIONS

Oh K.W. et al., "A Review of Microvalves", J Micromech Microeng. (2006) 16:R13-R39.

(73) Assignee: **Becton, Dickinson and Company**, Franklin Lakes, NJ (US)

Primary Examiner — Anhdao Doan

(**) Term: **15 Years**

(74) *Attorney, Agent, or Firm* — Knobbe Martens Olson & Bear LLP

(21) Appl. No.: **29/540,566**

(57) **CLAIM**

(22) Filed: **Sep. 25, 2015**

The ornamental design for a single piece reagent holder, substantially as shown and described.

Related U.S. Application Data

DESCRIPTION

(62) Division of application No. 29/470,378, filed on Oct. 21, 2013, now Pat. No. Des. 742,027, which is a (Continued)

(51) **LOC (11) Cl.** **24-01**

(52) **U.S. Cl.**
USPC **D24/224**

(58) **Field of Classification Search**
USPC D24/216–217, 219, 223–226, 227,
D24/229–231, 232, 107, 121–123;
D10/81; 422/500, 547, 554, 556;
435/288.1, 304.1, 304.3
CPC G01N 35/023; G01N 35/026; G01N
2035/0401; B01L 3/527; B01L 3/5082;
B01L 2300/0832

See application file for complete search history.

FIG. 1 is a perspective view of a single piece reagent holder showing a first embodiment of the new design;
FIG. 2 is a first side view thereof;
FIG. 3 is a second side view thereof;
FIG. 4 is a top plan view thereof;
FIG. 5 is a bottom plan view thereof;
FIG. 6 is a first end view thereof;
FIG. 7 is a second end view thereof;
FIG. 8 is a perspective view of a single piece reagent holder showing a second embodiment of the new design;
FIG. 9 is a first side view thereof;
FIG. 10 is a second side view thereof;
FIG. 11 is a top plan view thereof;
FIG. 12 is a bottom plan view thereof;
FIG. 13 is a first end view thereof; and,
FIG. 14 is a second end view thereof.

The broken lines in the drawing views are included for the purpose of illustrating portions of the single piece reagent holder that form no part of the claimed design.

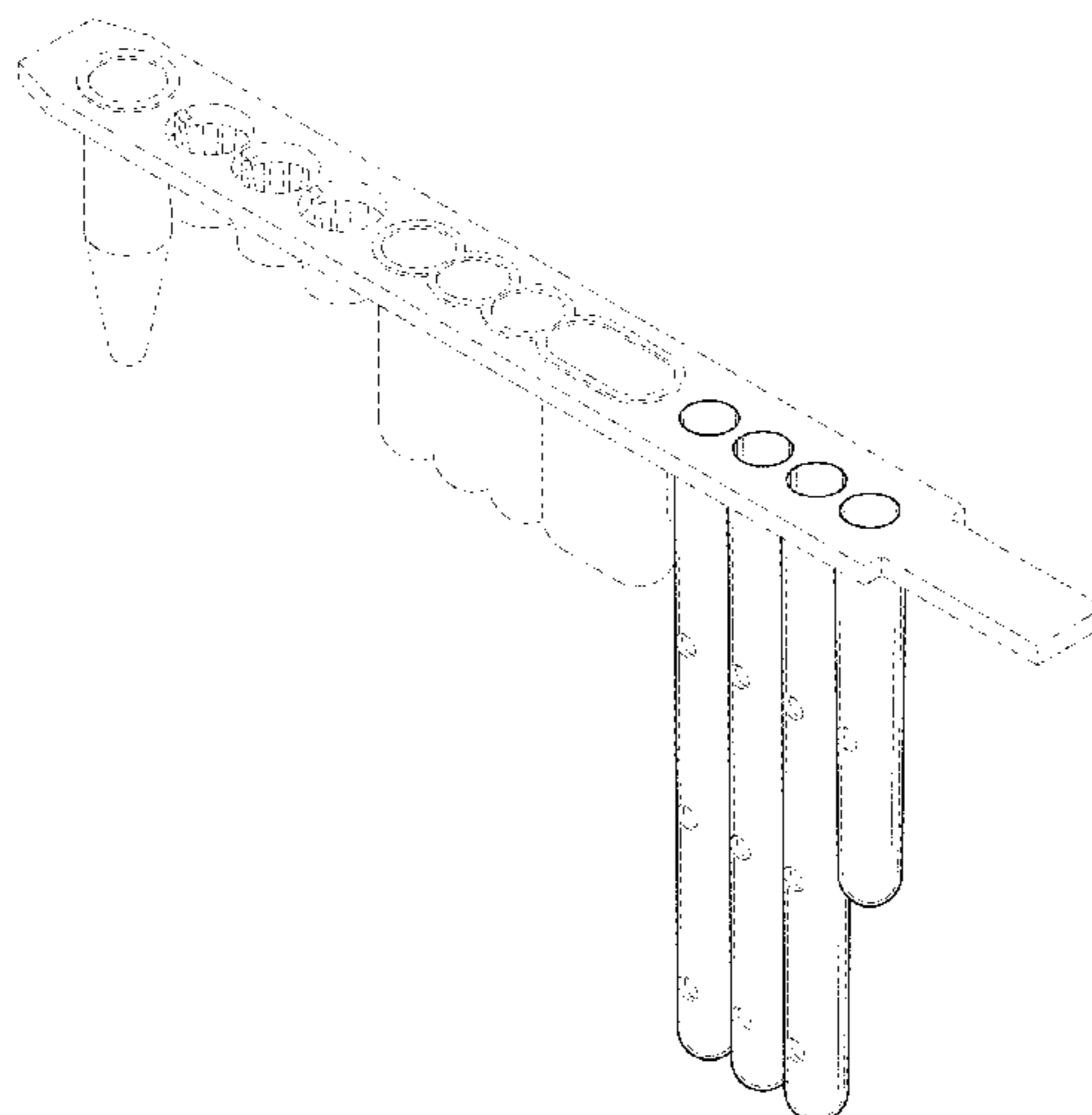
(56) **References Cited**

U.S. PATENT DOCUMENTS

1,434,314 A 10/1922 Raich
1,616,419 A 2/1927 Wilson

(Continued)

1 Claim, 10 Drawing Sheets



Related U.S. Application Data

division of application No. 29/403,131, filed on Sep. 30, 2011, now Pat. No. Des. 692,162.

(56)

References Cited

U.S. PATENT DOCUMENTS

1,733,401 A 8/1930 Lovekin
 D189,404 S 12/1960 Nicolle
 3,050,239 A * 8/1962 Williams, Jr. B01L 3/5021
 422/509
 3,528,449 A 9/1970 Witte et al.
 3,813,316 A 5/1974 Chakrabarty et al.
 3,905,772 A 9/1975 Hartnett et al.
 3,985,649 A 10/1976 Eddelman
 4,018,089 A 4/1977 Dzula et al.
 4,018,652 A 4/1977 Lanham et al.
 4,038,192 A 7/1977 Serur
 4,055,395 A 10/1977 Honkawa et al.
 D249,706 S 9/1978 Adamski
 4,139,005 A 2/1979 Dickey
 D252,157 S 6/1979 Kronish et al.
 D252,341 S 7/1979 Thomas
 D254,687 S 4/1980 Fadler et al.
 4,212,744 A 7/1980 Oota
 D261,033 S 9/1981 Armbruster
 D261,173 S 10/1981 Armbruster
 4,301,412 A 11/1981 Hill et al.
 4,439,526 A 3/1984 Columbus
 4,457,329 A 7/1984 Werley et al.
 4,466,740 A 8/1984 Kano et al.
 4,472,357 A * 9/1984 Levy B01L 3/5453
 206/459.5
 4,504,582 A 3/1985 Swann
 4,522,786 A 6/1985 Ebersole
 D279,817 S 7/1985 Chen et al.
 D282,208 S 1/1986 Lowry
 4,599,315 A 7/1986 Terasaki et al.
 4,612,873 A 9/1986 Eberle
 4,612,959 A 9/1986 Costello
 D288,478 S 2/1987 Carlson et al.
 4,647,432 A 3/1987 Wakatake
 4,654,127 A 3/1987 Baker et al.
 4,673,657 A 6/1987 Christian
 4,678,752 A 7/1987 Thorne et al.
 4,683,195 A 7/1987 Mullis et al.
 4,683,202 A 7/1987 Mullis
 D292,735 S 11/1987 Lovborg
 4,720,374 A 1/1988 Ramachandran
 4,724,207 A 2/1988 Hou et al.
 4,798,693 A 1/1989 Mase et al.
 4,800,022 A 1/1989 Leonard
 4,827,944 A * 5/1989 Nugent B01L 3/5082
 422/914
 4,841,786 A 6/1989 Schulz
 D302,294 S 7/1989 Hillman
 4,855,110 A 8/1989 Marker et al.
 4,871,779 A 10/1989 Killat et al.
 4,895,650 A 1/1990 Wang
 4,919,829 A 4/1990 Gates et al.
 4,921,809 A 5/1990 Schiff et al.
 4,935,342 A 6/1990 Seligson et al.
 4,946,562 A 8/1990 Guruswamy
 4,949,742 A 8/1990 Rando et al.
 D310,413 S 9/1990 Bigler et al.
 4,963,498 A 10/1990 Hillman
 4,967,950 A 11/1990 Legg et al.
 D312,692 S 12/1990 Bradley
 4,978,502 A 12/1990 Dole et al.
 4,978,622 A 12/1990 Mishell et al.
 4,989,626 A 2/1991 Takagi et al.
 5,001,417 A 3/1991 Pumphrey et al.
 5,004,583 A 4/1991 Guruswamy et al.
 5,048,554 A 9/1991 Kremer
 5,053,199 A 10/1991 Keiser et al.
 5,060,823 A 10/1991 Perlman
 5,061,336 A 10/1991 Soane

5,064,618 A 11/1991 Baker et al.
 5,071,531 A 12/1991 Soane
 5,091,328 A 2/1992 Miller
 D324,426 S 3/1992 Fan et al.
 5,096,669 A 3/1992 Lauks et al.
 D325,638 S 4/1992 Sloat et al.
 5,126,002 A 6/1992 Iwata et al.
 5,126,022 A 6/1992 Soane et al.
 D328,135 S 7/1992 Fan et al.
 D328,794 S 8/1992 Frenkel et al.
 5,135,627 A 8/1992 Soane
 5,135,872 A 8/1992 Pouletty et al.
 5,147,606 A 9/1992 Charlton et al.
 5,169,512 A 12/1992 Wiedenmann et al.
 D333,522 S 2/1993 Gianino
 5,186,339 A 2/1993 Heissler
 5,192,507 A 3/1993 Taylor et al.
 5,208,163 A 5/1993 Charlton et al.
 5,217,694 A 6/1993 Gibler et al.
 5,223,226 A 6/1993 Wittmer et al.
 5,229,297 A 7/1993 Schnipelsky et al.
 D338,275 S 8/1993 Fischer et al.
 5,250,263 A 10/1993 Manz
 5,252,743 A 10/1993 Barrett et al.
 5,256,376 A 10/1993 Callan et al.
 5,275,787 A 1/1994 Yuguchi et al.
 5,282,950 A 2/1994 Dietze et al.
 5,296,375 A 3/1994 Kricka et al.
 5,304,477 A 4/1994 Nagoh et al.
 5,304,487 A 4/1994 Wilding et al.
 D347,478 S 5/1994 Pinkney
 5,311,896 A 5/1994 Kaartinen et al.
 5,311,996 A 5/1994 Duffy et al.
 5,316,727 A 5/1994 Suzuki et al.
 5,327,038 A 7/1994 Culp
 5,339,486 A 8/1994 Persic, Jr.
 D351,475 S 10/1994 Gerber
 D351,913 S 10/1994 Hieb et al.
 5,364,591 A 11/1994 Green et al.
 5,372,946 A 12/1994 Cusak et al.
 5,374,395 A 12/1994 Robinson
 5,389,339 A 2/1995 Petschek et al.
 D356,232 S 3/1995 Armstrong et al.
 5,397,709 A 3/1995 Berndt
 5,401,465 A 3/1995 Smethers et al.
 5,411,708 A 5/1995 Moscetta et al.
 5,414,245 A 5/1995 Hackleman
 5,415,839 A 5/1995 Zaun et al.
 5,416,000 A 5/1995 Allen et al.
 5,422,271 A 6/1995 Chen et al.
 5,422,284 A 6/1995 Lau
 5,427,946 A 6/1995 Kricka et al.
 5,443,791 A 8/1995 Cathcart et al.
 5,474,796 A 12/1995 Brennan
 D366,116 S 1/1996 Biskupski
 5,486,335 A 1/1996 Wilding et al.
 5,494,639 A 2/1996 Grzegorzewski
 5,498,392 A 3/1996 Wilding et al.
 5,503,803 A 4/1996 Brown
 5,516,410 A 5/1996 Schneider et al.
 5,519,635 A 5/1996 Miyake et al.
 5,529,677 A 6/1996 Schneider et al.
 5,559,432 A 9/1996 Logue
 5,565,171 A 10/1996 Dovichi et al.
 5,569,364 A 10/1996 Hooper et al.
 5,578,270 A 11/1996 Reichler et al.
 5,578,818 A 11/1996 Kain et al.
 5,579,928 A 12/1996 Anukwuem
 5,580,523 A 12/1996 Bard
 5,582,884 A 12/1996 Ball et al.
 5,582,988 A 12/1996 Backus et al.
 5,585,069 A 12/1996 Zanucchi et al.
 5,585,089 A 12/1996 Queen et al.
 5,585,242 A 12/1996 Bouma et al.
 5,587,128 A 12/1996 Wilding et al.
 5,589,136 A 12/1996 Northrup et al.
 5,593,838 A 1/1997 Zanzucchi et al.
 5,595,708 A 1/1997 Berndt
 5,599,432 A 2/1997 Manz et al.

(56)

References Cited

U.S. PATENT DOCUMENTS

5,599,503 A	2/1997	Manz et al.	5,863,708 A	1/1999	Zanzucchi et al.
5,599,667 A	2/1997	Arnold, Jr. et al.	5,863,801 A	1/1999	Southgate et al.
5,601,727 A	2/1997	Bormann et al.	5,866,345 A	2/1999	Wilding et al.
5,603,351 A	2/1997	Cherukuri et al.	5,869,004 A	2/1999	Parce et al.
5,605,662 A	2/1997	Heller et al.	5,869,244 A	2/1999	Martin et al.
5,609,910 A	3/1997	Hackleman	5,872,010 A	2/1999	Karger et al.
D378,782 S	4/1997	LaBarbera et al.	5,872,623 A	2/1999	Stabile et al.
5,628,890 A	5/1997	Carter et al.	5,874,046 A	2/1999	Megerle
5,630,920 A	5/1997	Friese et al.	5,876,675 A	3/1999	Kennedy
5,631,337 A	5/1997	Sassi et al.	5,880,071 A	3/1999	Parce et al.
5,632,876 A	5/1997	Zanzucchi et al.	5,882,465 A	3/1999	McReynolds
5,632,957 A	5/1997	Heller et al.	5,883,211 A	3/1999	Sassi et al.
5,635,358 A	6/1997	Wilding et al.	5,885,432 A	3/1999	Hooper et al.
5,637,469 A	6/1997	Wilding et al.	5,885,470 A	3/1999	Parce et al.
5,639,423 A	6/1997	Northrup et al.	5,895,762 A	4/1999	Greenfield et al.
5,639,428 A	6/1997	Cottingham	5,900,130 A	5/1999	Benvegnu et al.
5,643,738 A	7/1997	Zanzucchi et al.	5,912,124 A	6/1999	Kumar
5,645,801 A	7/1997	Bouma et al.	5,912,134 A	6/1999	Shartle
5,646,039 A	7/1997	Northrup et al.	5,914,229 A	6/1999	Loewy
5,646,049 A	7/1997	Tayi	5,916,522 A	6/1999	Boyd et al.
5,647,994 A	7/1997	Tuunanen et al.	5,916,776 A	6/1999	Kumar
5,651,839 A	7/1997	Rauf	5,919,646 A	7/1999	Okun et al.
5,652,141 A	7/1997	Henco et al.	5,919,711 A	7/1999	Boyd et al.
5,652,149 A	7/1997	Mileaf et al.	5,922,591 A	7/1999	Anderson et al.
D382,346 S	8/1997	Buhler et al.	5,927,547 A	7/1999	Papen et al.
D382,647 S	8/1997	Staples et al.	5,928,880 A	7/1999	Wilding et al.
5,667,976 A	9/1997	Van Ness et al.	5,929,208 A	7/1999	Heller et al.
5,671,303 A	9/1997	Shieh et al.	D413,391 S	8/1999	Lapeus et al.
5,674,394 A	10/1997	Whitmore	5,932,799 A	8/1999	Moles
5,674,742 A	10/1997	Northrup et al.	5,935,401 A	8/1999	Amigo
5,681,484 A	10/1997	Zanzucchi et al.	5,939,291 A	8/1999	Loewy et al.
5,681,529 A	10/1997	Taguchi et al.	5,939,312 A	8/1999	Baier et al.
5,683,657 A	11/1997	Mian	5,942,443 A	8/1999	Parce et al.
5,699,157 A	12/1997	Parce et al.	D413,677 S	9/1999	Dumitrescu et al.
5,700,637 A	12/1997	Southern	D414,271 S	9/1999	Mendoza
5,705,813 A	1/1998	Apffel et al.	5,948,227 A	9/1999	Dubrow
5,721,136 A	2/1998	Finney et al.	5,948,363 A	9/1999	Gaillard
5,725,831 A	3/1998	Reichler et al.	5,948,673 A	9/1999	Cottingham
5,726,026 A	3/1998	Wilding et al.	5,955,028 A	9/1999	Chow
5,726,404 A	3/1998	Brody	5,955,029 A	9/1999	Wilding et al.
5,726,944 A	3/1998	Pelley et al.	5,957,579 A	9/1999	Kopf-Sill et al.
5,731,212 A	3/1998	Gavin et al.	5,958,203 A	9/1999	Parce et al.
5,744,366 A	4/1998	Kricka et al.	5,958,694 A	9/1999	Nikiforov
5,746,978 A	5/1998	Bienhaus et al.	5,959,221 A	9/1999	Boyd et al.
5,747,666 A	5/1998	Willis	5,959,291 A	9/1999	Jensen
5,750,015 A	5/1998	Soane et al.	5,964,995 A	10/1999	Nikiforov et al.
5,755,942 A	5/1998	Zanzucchi et al.	5,964,997 A	10/1999	McBride
5,762,874 A	6/1998	Seaton et al.	5,965,001 A	10/1999	Chow et al.
5,763,262 A	6/1998	Wong et al.	5,965,410 A	10/1999	Chow et al.
5,770,029 A	6/1998	Nelson et al.	5,965,886 A	10/1999	Sauer et al.
5,770,388 A	6/1998	Vorpahl	5,968,745 A	10/1999	Thorp et al.
5,772,966 A	6/1998	Maracas et al.	5,972,187 A	10/1999	Parce et al.
5,779,868 A	7/1998	Parce et al.	5,973,138 A	10/1999	Collis
5,783,148 A	7/1998	Cottingham et al.	D417,009 S	11/1999	Boyd
5,787,032 A	7/1998	Heller et al.	5,976,336 A	11/1999	Dubrow et al.
5,788,814 A	8/1998	Sun et al.	5,980,704 A	11/1999	Cherukuri et al.
5,800,600 A	9/1998	Lima-Marques et al.	5,980,719 A	11/1999	Cherukuri et al.
5,800,690 A	9/1998	Chow et al.	5,981,735 A	11/1999	Thatcher et al.
5,804,436 A	9/1998	Okun et al.	5,989,402 A	11/1999	Chow et al.
D399,959 S	10/1998	Prokop et al.	5,992,820 A	11/1999	Fare et al.
5,827,481 A	10/1998	Bente et al.	5,993,611 A	11/1999	Moroney, III et al.
5,842,106 A	11/1998	Thaler et al.	5,993,750 A	11/1999	Ghosh et al.
5,842,787 A	12/1998	Kopf-Sill et al.	5,997,708 A	12/1999	Craig
5,846,396 A	12/1998	Zanzucchi et al.	6,001,229 A	12/1999	Ramsey
5,846,493 A *	12/1998	Bankier B01L 3/50255 210/406	6,001,231 A	12/1999	Kopf-Sill
5,849,208 A	12/1998	Hayes et al.	6,001,307 A	12/1999	Naka et al.
5,849,486 A	12/1998	Heller et al.	6,004,515 A	12/1999	Parce et al.
5,849,489 A	12/1998	Heller	6,007,690 A	12/1999	Nelson et al.
5,849,598 A	12/1998	Wilson et al.	6,010,607 A	1/2000	Ramsey
5,852,495 A	12/1998	Parce	6,010,608 A	1/2000	Ramsey
5,856,174 A	1/1999	Lipshutz et al.	6,010,627 A	1/2000	Hood, III
5,858,187 A	1/1999	Ramsey et al.	6,012,902 A	1/2000	Parce
5,858,188 A	1/1999	Soane et al.	D420,747 S	2/2000	Dumitrescu et al.
5,863,502 A	1/1999	Southgate et al.	D421,130 S	2/2000	Cohen et al.
			6,024,920 A	2/2000	Cunanan
			D421,653 S	3/2000	Purcell
			6,033,546 A	3/2000	Ramsey
			6,033,880 A	3/2000	Haff et al.
			6,043,080 A	3/2000	Lipshutz et al.

(56)

References Cited

U.S. PATENT DOCUMENTS

6,046,056	A	4/2000	Parce et al.	6,303,343	B1	10/2001	Kopf-sill
6,048,734	A	4/2000	Burns et al.	6,306,273	B1	10/2001	Wainright et al.
6,054,034	A	4/2000	Soane et al.	6,306,590	B1	10/2001	Mehta et al.
6,054,277	A	4/2000	Furcht et al.	6,316,774	B1	11/2001	Giebelier et al.
6,056,860	A	5/2000	Amigo et al.	6,319,469	B1	11/2001	Mian et al.
6,057,149	A	5/2000	Burns et al.	6,322,683	B1	11/2001	Wolk et al.
6,062,261	A	5/2000	Jacobson et al.	6,326,083	B1	12/2001	Yang et al.
6,063,341	A	5/2000	Fassbind et al.	6,326,147	B1	12/2001	Oldham et al.
6,063,589	A	5/2000	Kellogg et al.	6,326,211	B1	12/2001	Anderson et al.
6,068,752	A	5/2000	Dubrow et al.	6,334,980	B1	1/2002	Hayes et al.
6,071,478	A	6/2000	Chow	6,337,435	B1	1/2002	Chu et al.
6,074,725	A	6/2000	Kennedy	6,353,475	B1	3/2002	Jensen et al.
6,074,827	A	6/2000	Nelson et al.	6,358,387	B1	3/2002	Kopf-sill et al.
D428,497	S	7/2000	Lapeus et al.	6,366,924	B1	4/2002	Parce
6,086,740	A	7/2000	Kennedy	6,368,561	B1	4/2002	Rutishauser et al.
6,096,509	A	8/2000	Okun et al.	6,368,871	B1	4/2002	Christel et al.
6,100,541	A	8/2000	Nagle et al.	6,370,206	B1	4/2002	Schenk
6,102,897	A	8/2000	Lang	6,375,185	B1	4/2002	Lin
6,103,537	A	8/2000	Ullman et al.	6,375,901	B1	4/2002	Robotti et al.
6,106,685	A	8/2000	McBride et al.	6,379,884	B2	4/2002	Wada et al.
6,110,343	A	8/2000	Ramsey et al.	6,379,929	B1	4/2002	Burns et al.
6,117,398	A	9/2000	Bienhaus et al.	6,379,974	B1	4/2002	Parce et al.
6,123,205	A	9/2000	Dumitrescu et al.	6,382,254	B1	5/2002	Yang et al.
6,123,798	A	9/2000	Gandhi et al.	6,391,541	B1	5/2002	Petersen et al.
6,130,098	A	10/2000	Handique et al.	6,391,623	B1	5/2002	Besemer et al.
6,132,580	A	10/2000	Mathies et al.	6,395,161	B1	5/2002	Schneider et al.
6,132,684	A	10/2000	Marino	6,398,956	B1	6/2002	Coville et al.
6,133,436	A	10/2000	Koster et al.	6,399,025	B1	6/2002	Chow
D433,759	S	11/2000	Mathis et al.	6,399,389	B1	6/2002	Parce et al.
6,143,250	A	11/2000	Tajima	6,399,952	B1	6/2002	Maher et al.
6,149,787	A	11/2000	Chow et al.	6,401,552	B1	6/2002	Elkins
6,149,872	A	11/2000	MacK et al.	6,403,338	B1	6/2002	Knapp et al.
6,156,199	A	12/2000	Zuk, Jr.	6,408,878	B2	6/2002	Unger et al.
6,158,269	A	12/2000	Dorenkott et al.	6,413,401	B1	7/2002	Chow et al.
6,167,910	B1	1/2001	Chow	6,416,642	B1	7/2002	Alajoki et al.
6,168,948	B1	1/2001	Anderson et al.	6,420,143	B1	7/2002	Kopf-sill
6,171,850	B1	1/2001	Nagle et al.	6,425,972	B1	7/2002	McReynolds
6,174,675	B1	1/2001	Chow et al.	D461,906	S	8/2002	Pham
6,180,950	B1	1/2001	Olsen	6,428,987	B2	8/2002	Franzen
D438,311	S	2/2001	Yamanishi et al.	6,430,512	B1	8/2002	Gallagher
6,190,619	B1	2/2001	Kilcoin et al.	6,432,366	B2	8/2002	Ruediger et al.
6,194,563	B1	2/2001	Cruickshank	6,440,725	B1	8/2002	Pourahmadi et al.
D438,632	S	3/2001	Miller	D463,031	S	9/2002	Slomski et al.
D438,633	S	3/2001	Miller	6,444,461	B1	9/2002	Knapp et al.
D439,673	S	3/2001	Brophy et al.	6,447,661	B1	9/2002	Chow et al.
6,197,595	B1	3/2001	Anderson et al.	6,447,727	B1	9/2002	Parce et al.
6,211,989	B1	4/2001	Wulf et al.	6,448,064	B1	9/2002	Vo-Dinh et al.
6,213,151	B1	4/2001	Jacobson et al.	6,453,928	B1	9/2002	Kaplan et al.
6,221,600	B1	4/2001	MacLeod et al.	6,458,259	B1	10/2002	Parce et al.
6,228,635	B1	5/2001	Armstrong et al.	6,461,570	B2	10/2002	Ishihara et al.
6,232,072	B1	5/2001	Fisher	6,465,257	B1	10/2002	Parce et al.
6,235,175	B1	5/2001	Dubrow et al.	6,468,761	B2	10/2002	Yang et al.
6,235,313	B1	5/2001	Mathiowitz et al.	6,472,141	B2	10/2002	Nikiforov
6,235,471	B1	5/2001	Knapp et al.	D466,219	S	11/2002	Wynschenk et al.
6,236,456	B1	5/2001	Giebelier et al.	6,475,364	B1	11/2002	Dubrow et al.
6,236,581	B1	5/2001	Foss et al.	D467,348	S	12/2002	McMichael et al.
6,238,626	B1	5/2001	Higuchi et al.	D467,349	S	12/2002	Niedbala et al.
6,251,343	B1	6/2001	Dubrow et al.	6,488,897	B2	12/2002	Dubrow et al.
6,254,826	B1	7/2001	Acosta et al.	6,495,104	B1	12/2002	Unno et al.
6,259,635	B1	7/2001	Khoury et al.	6,498,497	B1	12/2002	Chow et al.
6,261,431	B1	7/2001	Mathies et al.	6,500,323	B1	12/2002	Chow et al.
6,267,858	B1	7/2001	Parce et al.	6,500,390	B1	12/2002	Boulton et al.
D446,306	S	8/2001	Ochi et al.	D468,437	S	1/2003	McMenamy et al.
6,271,021	B1	8/2001	Burns et al.	6,506,609	B1	1/2003	Wada et al.
6,274,089	B1	8/2001	Chow et al.	6,509,193	B1	1/2003	Tajima
6,280,967	B1	8/2001	Ransom et al.	6,511,853	B1	1/2003	Kopf-sill et al.
6,281,008	B1	8/2001	Komai et al.	D470,595	S	2/2003	Crisanti et al.
6,284,113	B1	9/2001	Bjornson et al.	6,515,753	B2	2/2003	Maher
6,284,470	B1	9/2001	Bitner et al.	6,517,783	B2	2/2003	Horner et al.
6,287,254	B1	9/2001	Dodds	6,520,197	B2	2/2003	Deshmukh et al.
6,287,774	B1	9/2001	Nikiforov	6,521,188	B1	2/2003	Webster
6,291,248	B1	9/2001	Haj-Ahmad	6,524,456	B1	2/2003	Ramsey et al.
6,294,063	B1	9/2001	Becker et al.	6,524,790	B1	2/2003	Kopf-sill et al.
6,302,134	B1	10/2001	Kellogg et al.	D472,324	S	3/2003	Rumore et al.
6,302,304	B1	10/2001	Spencer	6,534,295	B2	3/2003	Tai et al.
				6,537,771	B1	3/2003	Farinas et al.
				6,540,896	B1	4/2003	Manz et al.
				6,544,734	B1	4/2003	Briscoe et al.
				6,547,942	B1	4/2003	Parce et al.

(56)

References Cited

U.S. PATENT DOCUMENTS

- | | | | | | |
|--------------|---------|---------------------|--------------|---------|--------------------|
| 6,555,389 B1 | 4/2003 | Ullman et al. | 6,852,287 B2 | 2/2005 | Ganesan |
| 6,556,923 B2 | 4/2003 | Gallagher et al. | 6,858,185 B1 | 2/2005 | Kopf-sill et al. |
| D474,279 S | 5/2003 | Mayer et al. | 6,859,698 B2 | 2/2005 | Schmeisser |
| D474,280 S | 5/2003 | Niedbala et al. | 6,861,035 B2 | 3/2005 | Pham et al. |
| 6,558,916 B2 | 5/2003 | Veerapandian et al. | 6,878,540 B2 | 4/2005 | Pourahmadi et al. |
| 6,558,945 B1 | 5/2003 | Kao | 6,878,755 B2 | 4/2005 | Singh et al. |
| 6,569,607 B2 | 5/2003 | McReynolds | 6,884,628 B2 | 4/2005 | Hubbell et al. |
| 6,572,830 B1 | 6/2003 | Burdon et al. | 6,887,693 B2 | 5/2005 | McMillan et al. |
| 6,575,188 B2 | 6/2003 | Parunak | 6,893,879 B2 | 5/2005 | Petersen et al. |
| 6,576,459 B2 | 6/2003 | Miles et al. | 6,900,889 B2 | 5/2005 | Bjornson et al. |
| 6,579,453 B1 | 6/2003 | Bächler et al. | 6,905,583 B2 | 6/2005 | Wainright et al. |
| 6,589,729 B2 | 7/2003 | Chan et al. | 6,905,612 B2 | 6/2005 | Dorian et al. |
| 6,592,821 B1 | 7/2003 | Wada et al. | 6,906,797 B1 | 6/2005 | Kao et al. |
| 6,597,450 B1 | 7/2003 | Andrews et al. | 6,908,594 B1 | 6/2005 | Schaevitz et al. |
| 6,602,474 B1 | 8/2003 | Tajima | 6,911,183 B1 | 6/2005 | Handique et al. |
| 6,613,211 B1 | 9/2003 | Mccormick et al. | 6,914,137 B2 | 7/2005 | Baker |
| 6,613,512 B1 | 9/2003 | Kopf-sill et al. | 6,915,679 B2 | 7/2005 | Chien et al. |
| 6,613,580 B1 | 9/2003 | Chow et al. | 6,918,404 B2 | 7/2005 | Dias da Silva |
| 6,613,581 B1 | 9/2003 | Wada et al. | D508,999 S | 8/2005 | Fanning et al. |
| 6,614,030 B2 | 9/2003 | Maher et al. | 6,939,451 B2 | 9/2005 | Zhao et al. |
| 6,620,625 B2 | 9/2003 | Wolk et al. | 6,942,771 B1 | 9/2005 | Kayyem |
| 6,623,860 B2 | 9/2003 | Hu et al. | 6,958,392 B2 | 10/2005 | Fomovskaia et al. |
| 6,627,406 B1 | 9/2003 | Singh et al. | D512,155 S | 11/2005 | Matsumoto |
| D480,814 S | 10/2003 | Lafferty et al. | 6,964,747 B2 | 11/2005 | Banerjee et al. |
| 6,632,655 B1 | 10/2003 | Mehta et al. | 6,977,163 B1 | 12/2005 | Mehta |
| 6,633,785 B1 | 10/2003 | Kasahara et al. | 6,984,516 B2 | 1/2006 | Briscoe et al. |
| D482,796 S | 11/2003 | Oyama et al. | D515,707 S | 2/2006 | Sinohara et al. |
| 6,640,981 B2 | 11/2003 | Lafond et al. | D516,221 S | 2/2006 | Wohlstadter et al. |
| 6,649,358 B1 | 11/2003 | Parce et al. | 7,001,853 B1 | 2/2006 | Brown et al. |
| 6,664,104 B2 | 12/2003 | Pourahmadi et al. | 7,004,184 B2 | 2/2006 | Handique et al. |
| 6,669,831 B2 | 12/2003 | Chow et al. | D517,554 S | 3/2006 | Yanagisawa et al. |
| 6,670,153 B2 | 12/2003 | Stern | 7,010,391 B2 | 3/2006 | Handique et al. |
| D484,989 S | 1/2004 | Gebrian | 7,023,007 B2 | 4/2006 | Gallagher |
| 6,672,458 B2 | 1/2004 | Hansen et al. | 7,024,281 B1 | 4/2006 | Unno |
| 6,681,616 B2 | 1/2004 | Spaid et al. | 7,036,667 B2 | 5/2006 | Greenstein et al. |
| 6,681,788 B2 | 1/2004 | Parce et al. | 7,037,416 B2 | 5/2006 | Parce et al. |
| 6,685,813 B2 | 2/2004 | Williams et al. | 7,038,472 B1 | 5/2006 | Chien |
| 6,692,700 B2 | 2/2004 | Handique | 7,039,527 B2 | 5/2006 | Tripathi et al. |
| 6,695,009 B2 | 2/2004 | Chien et al. | 7,040,144 B2 | 5/2006 | Spaid et al. |
| 6,699,713 B2 | 3/2004 | Benett et al. | 7,041,258 B2 | 5/2006 | Desmond et al. |
| 6,706,519 B1 | 3/2004 | Kellogg et al. | 7,049,558 B2 | 5/2006 | Baer et al. |
| 6,720,148 B1 | 4/2004 | Nikiforov | D523,153 S | 6/2006 | Akashi et al. |
| 6,730,206 B2 | 5/2004 | Ricco et al. | 7,055,695 B2 | 6/2006 | Greenstein et al. |
| 6,733,645 B1 | 5/2004 | Chow | 7,060,171 B1 | 6/2006 | Nikiforov et al. |
| 6,734,401 B2 | 5/2004 | Bedingham et al. | 7,066,586 B2 | 6/2006 | da Silva |
| 6,737,026 B1 | 5/2004 | Bergh et al. | 7,069,952 B1 | 7/2006 | McReynolds et al. |
| 6,740,518 B1 | 5/2004 | Duong et al. | 7,072,036 B2 | 7/2006 | Jones et al. |
| D491,272 S | 6/2004 | Alden et al. | 7,099,778 B2 | 8/2006 | Chien |
| D491,273 S | 6/2004 | Biegler et al. | D528,215 S | 9/2006 | Malmsater |
| D491,276 S | 6/2004 | Langille | 7,101,467 B2 | 9/2006 | Spaid |
| 6,750,661 B2 | 6/2004 | Brooks et al. | 7,105,304 B1 | 9/2006 | Nikiforov et al. |
| 6,752,966 B1 | 6/2004 | Chazan | D531,321 S | 10/2006 | Godfrey et al. |
| 6,756,019 B1 | 6/2004 | Dubrow et al. | 7,118,910 B2 | 10/2006 | Unger et al. |
| 6,764,859 B1 | 7/2004 | Kreuwel et al. | 7,138,032 B2 | 11/2006 | Gandhi et al. |
| 6,766,817 B2 | 7/2004 | da Silva | D534,280 S | 12/2006 | Gomm et al. |
| 6,773,567 B1 | 8/2004 | Wolk | 7,148,043 B2 | 12/2006 | Kordunsky et al. |
| 6,777,184 B2 | 8/2004 | Nikiforov et al. | 7,150,814 B1 | 12/2006 | Parce et al. |
| 6,783,962 B1 | 8/2004 | Olander et al. | 7,150,999 B1 | 12/2006 | Shuck |
| D495,805 S | 9/2004 | Lea et al. | D535,403 S | 1/2007 | Isozaki et al. |
| 6,787,015 B2 | 9/2004 | Lackritz et al. | 7,160,423 B2 | 1/2007 | Chien et al. |
| 6,787,016 B2 | 9/2004 | Tan et al. | 7,161,356 B1 | 1/2007 | Chien |
| 6,787,111 B2 | 9/2004 | Roach et al. | 7,169,277 B2 | 1/2007 | Ausserer et al. |
| 6,790,328 B2 | 9/2004 | Jacobson et al. | 7,169,618 B2 | 1/2007 | Skold |
| 6,790,330 B2 | 9/2004 | Gascoyne et al. | D537,951 S | 3/2007 | Okamoto et al. |
| 6,811,668 B1 | 11/2004 | Berndt et al. | D538,436 S | 3/2007 | Patadia et al. |
| 6,818,113 B2 | 11/2004 | Williams et al. | 7,192,557 B2 | 3/2007 | Wu et al. |
| 6,819,027 B2 | 11/2004 | Saraf | 7,195,986 B1 | 3/2007 | Bousse et al. |
| 6,824,663 B1 | 11/2004 | Boone | 7,205,154 B2 | 4/2007 | Corson |
| D499,813 S | 12/2004 | Wu | 7,208,125 B1 | 4/2007 | Dong |
| D500,142 S | 12/2004 | Crisanti et al. | 7,235,406 B1 | 6/2007 | Woudenberg et al. |
| D500,363 S | 12/2004 | Fanning et al. | 7,247,274 B1 | 7/2007 | Chow |
| 6,827,831 B1 | 12/2004 | Chow et al. | D548,841 S | 8/2007 | Brownell et al. |
| 6,827,906 B1 | 12/2004 | Bjornson et al. | D549,827 S | 8/2007 | Maeno et al. |
| 6,838,156 B1 | 1/2005 | Neyer et al. | 7,252,928 B1 | 8/2007 | Hafeman et al. |
| 6,838,680 B2 | 1/2005 | Maher et al. | 7,270,786 B2 | 9/2007 | Parunak et al. |
| | | | D554,069 S | 10/2007 | Bolotin et al. |
| | | | D554,070 S | 10/2007 | Bolotin et al. |
| | | | 7,276,208 B2 | 10/2007 | Sevigny et al. |
| | | | 7,276,330 B2 | 10/2007 | Chow et al. |

(56)

References Cited

U.S. PATENT DOCUMENTS

7,288,228 B2	10/2007	Lefebvre	8,710,211 B2	4/2014	Brahmasandra et al.
D556,914 S	12/2007	Okamoto et al.	8,734,733 B2	5/2014	Handique
7,303,727 B1	12/2007	Dubrow et al.	D710,024 S	7/2014	Guo
D559,995 S	1/2008	Handique et al.	8,765,076 B2	7/2014	Handique et al.
7,323,140 B2	1/2008	Handique et al.	8,852,862 B2	10/2014	Wu et al.
7,332,130 B2	2/2008	Handique	8,883,490 B2	11/2014	Handique et al.
7,338,760 B2	3/2008	Gong et al.	8,894,947 B2	11/2014	Ganesan et al.
D566,291 S	4/2008	Parunak et al.	8,895,311 B1	11/2014	Handique et al.
7,351,377 B2	4/2008	Chazan et al.	D729,404 S	5/2015	Teich et al.
D569,526 S	5/2008	Duffy et al.	9,028,773 B2	5/2015	Ganesan
7,374,949 B2	5/2008	Kuriger	9,040,288 B2	5/2015	Handique et al.
7,390,460 B2	6/2008	Osawa et al.	9,051,604 B2	6/2015	Handique
7,419,784 B2	9/2008	Dubrow et al.	9,080,207 B2	7/2015	Handique et al.
7,422,669 B2	9/2008	Jacobson et al.	D742,027 S	10/2015	Lentz et al.
7,440,684 B2	10/2008	Spaid et al.	9,186,677 B2	11/2015	Williams et al.
7,476,313 B2	1/2009	Siddiqi	9,217,143 B2	12/2015	Brahmasandra et al.
7,480,042 B1	1/2009	Phillips et al.	9,222,954 B2	12/2015	Lentz et al.
7,494,577 B2	2/2009	Williams et al.	9,238,223 B2	1/2016	Handique
7,494,770 B2	2/2009	Wilding et al.	9,259,734 B2	2/2016	Williams et al.
7,514,046 B2	4/2009	Kechagia et al.	9,259,735 B2	2/2016	Handique et al.
7,518,726 B2	4/2009	Rulison et al.	9,347,586 B2	5/2016	Williams et al.
7,521,186 B2	4/2009	Mehta	9,480,983 B2	11/2016	Lentz et al.
7,527,769 B2	5/2009	Bunch et al.	9,528,142 B2	12/2016	Handique
D595,423 S	6/2009	Johansson et al.	9,618,139 B2	4/2017	Handique
7,553,671 B2	6/2009	Sinclair et al.	D787,008 S	6/2017	Duffy et al.
D596,312 S	7/2009	Giraud et al.	9,670,528 B2	6/2017	Handique et al.
D598,566 S	8/2009	Allaer	9,677,121 B2	6/2017	Ganesan et al.
D599,234 S	9/2009	Ito	9,701,957 B2	7/2017	Wilson et al.
7,595,197 B2	9/2009	Brasseur	9,745,623 B2	8/2017	Steel
7,604,938 B2	10/2009	Takahashi et al.	9,765,389 B2	9/2017	Gubatayao et al.
7,635,588 B2	12/2009	King et al.	9,802,199 B2	10/2017	Handique et al.
7,645,581 B2	1/2010	Knapp et al.	9,815,057 B2	11/2017	Handique
7,670,559 B2	3/2010	Chien et al.	2001/0005489 A1	6/2001	Roach et al.
7,674,431 B2	3/2010	Ganesan	2001/0012492 A1	8/2001	Acosta et al.
7,689,022 B2	3/2010	Weiner et al.	2001/0016358 A1	8/2001	Osawa et al.
7,704,735 B2	4/2010	Facer et al.	2001/0021355 A1	9/2001	Baugh et al.
7,723,123 B1	5/2010	Murphy et al.	2001/0023848 A1	9/2001	Gjerde et al.
D618,820 S	6/2010	Wilson et al.	2001/0038450 A1	11/2001	McCaffrey et al.
7,727,371 B2	6/2010	Kennedy et al.	2001/0045358 A1	11/2001	Kopf-Sill et al.
7,727,477 B2	6/2010	Boronkay et al.	2001/0046702 A1	11/2001	Schembri
7,744,817 B2	6/2010	Bui	2001/0048899 A1	12/2001	Marouiss et al.
D621,060 S	8/2010	Handique	2001/0055765 A1	12/2001	O'Keefe et al.
D628,305 S	11/2010	Gorrec et al.	2002/0001848 A1	1/2002	Bedingham et al.
7,867,776 B2	1/2011	Kennedy et al.	2002/0008053 A1	1/2002	Hansen et al.
D632,799 S	2/2011	Canner et al.	2002/0009015 A1	1/2002	Laugharn, Jr. et al.
7,892,819 B2	2/2011	Wilding et al.	2002/0014443 A1	2/2002	Hansen et al.
D637,737 S	5/2011	Wilson et al.	2002/0015667 A1	2/2002	Chow
7,955,864 B2	6/2011	Cox et al.	2002/0021983 A1	2/2002	Comte et al.
7,998,708 B2	8/2011	Handique et al.	2002/0022261 A1	2/2002	Anderson et al.
8,071,056 B2	12/2011	Burns et al.	2002/0037499 A1	3/2002	Quake et al.
8,088,616 B2	1/2012	Handique	2002/0039783 A1	4/2002	McMillan et al.
8,105,783 B2	1/2012	Handique	2002/0053399 A1	5/2002	Soane et al.
8,110,158 B2	2/2012	Handique	2002/0054835 A1	5/2002	Robotti et al.
8,133,671 B2	3/2012	Williams et al.	2002/0055167 A1	5/2002	Pourahmadi et al.
8,182,763 B2	5/2012	Duffy et al.	2002/0058332 A1	5/2002	Quake et al.
8,246,919 B2	8/2012	Herchenbach et al.	2002/0060156 A1	5/2002	Mathies et al.
8,273,308 B2	9/2012	Handique et al.	2002/0068357 A1	6/2002	Mathies et al.
D669,597 S	10/2012	Cavada et al.	2002/0068821 A1	6/2002	Gundling
8,287,820 B2	10/2012	Williams et al.	2002/0090320 A1	7/2002	Burow et al.
8,323,584 B2	12/2012	Ganesan	2002/0094303 A1	7/2002	Yamamoto et al.
8,323,900 B2	12/2012	Handique et al.	2002/0131903 A1	9/2002	Ingenhoven et al.
8,324,372 B2	12/2012	Brahmasandra et al.	2002/0141903 A1	10/2002	Parunak et al.
8,415,103 B2	4/2013	Handique	2002/0142471 A1	10/2002	Handique et al.
8,420,015 B2	4/2013	Ganesan et al.	2002/0143297 A1	10/2002	Francavilla et al.
8,440,149 B2	5/2013	Handique	2002/0143437 A1	10/2002	Handique et al.
8,470,586 B2	6/2013	Wu et al.	2002/0155010 A1	10/2002	Karp et al.
8,473,104 B2	6/2013	Handique et al.	2002/0155477 A1	10/2002	Ito
D686,749 S	7/2013	Trump	2002/0169518 A1	11/2002	Luoma et al.
D687,567 S *	8/2013	Jungheim D24/224	2002/0187557 A1	12/2002	Hobbs et al.
D692,162 S	10/2013	Lentz et al.	2002/0192808 A1	12/2002	Gambini et al.
8,679,831 B2	3/2014	Handique et al.	2003/0008308 A1	1/2003	Enzelberger et al.
D702,854 S	4/2014	Nakahana et al.	2003/0019522 A1	1/2003	Parunak
8,685,341 B2	4/2014	Ganesan	2003/0022392 A1	1/2003	Hudak
8,703,069 B2	4/2014	Handique et al.	2003/0049174 A1	3/2003	Ganesan
8,709,787 B2	4/2014	Handique	2003/0049833 A1	3/2003	Chen et al.
			2003/0059823 A1	3/2003	Matsunaga et al.
			2003/0064507 A1	4/2003	Gallagher et al.
			2003/0070677 A1	4/2003	Handique et al.
			2003/0072683 A1	4/2003	Stewart et al.

(56)

References Cited

U.S. PATENT DOCUMENTS

- | | | | | | |
|-----------------|---------|--------------------|-----------------|---------|--------------------|
| 2003/0073106 A1 | 4/2003 | Johansen et al. | 2006/0041058 A1 | 2/2006 | Yin et al. |
| 2003/0083686 A1 | 5/2003 | Freeman et al. | 2006/0057039 A1 | 3/2006 | Morse et al. |
| 2003/0087300 A1 | 5/2003 | Knapp et al. | 2006/0057629 A1 | 3/2006 | Kim |
| 2003/0096310 A1 | 5/2003 | Hansen et al. | 2006/0062696 A1 | 3/2006 | Chow et al. |
| 2003/0099954 A1 | 5/2003 | Miltenyi et al. | 2006/0094108 A1 | 5/2006 | Yoder et al. |
| 2003/0127327 A1 | 7/2003 | Kurnik | 2006/0113190 A1 | 6/2006 | Kurnik |
| 2003/0136679 A1 | 7/2003 | Bohn et al. | 2006/0133965 A1 | 6/2006 | Tajima et al. |
| 2003/0156991 A1 | 8/2003 | Halas et al. | 2006/0134790 A1 | 6/2006 | Tanaka et al. |
| 2003/0186295 A1 | 10/2003 | Colin et al. | 2006/0148063 A1 | 7/2006 | Fauzzi et al. |
| 2003/0190608 A1 | 10/2003 | Blackburn et al. | 2006/0165558 A1 | 7/2006 | Witty et al. |
| 2003/0199081 A1 | 10/2003 | Wilding et al. | 2006/0165559 A1 | 7/2006 | Greenstein et al. |
| 2003/0211517 A1 | 11/2003 | Carulli et al. | 2006/0166233 A1 | 7/2006 | Wu et al. |
| 2004/0014202 A1 | 1/2004 | King et al. | 2006/0177376 A1 | 8/2006 | Tomalia et al. |
| 2004/0014238 A1 | 1/2004 | Krug et al. | 2006/0177855 A1 | 8/2006 | Utermohlen et al. |
| 2004/0018116 A1 | 1/2004 | Desmond et al. | 2006/0183216 A1 | 8/2006 | Handique |
| 2004/0018119 A1 | 1/2004 | Massaro | 2006/0201887 A1 | 9/2006 | Siddiqi |
| 2004/0022689 A1 | 2/2004 | Wulf et al. | 2006/0205085 A1 | 9/2006 | Handique |
| 2004/0029258 A1 | 2/2004 | Heaney et al. | 2006/0207944 A1 | 9/2006 | Siddiqi |
| 2004/0029260 A1 | 2/2004 | Hansen et al. | 2006/0210435 A1 | 9/2006 | Alavie et al. |
| 2004/0037739 A1 | 2/2004 | McNeely et al. | 2006/0223169 A1 | 10/2006 | Bedingham et al. |
| 2004/0053290 A1 | 3/2004 | Terbrueggen et al. | 2006/0228734 A1 | 10/2006 | Vann et al. |
| 2004/0063217 A1 | 4/2004 | Webster et al. | 2006/0246493 A1 | 11/2006 | Jensen et al. |
| 2004/0065655 A1 | 4/2004 | Brown | 2006/0246533 A1 | 11/2006 | Fathollahi et al. |
| 2004/0072278 A1 | 4/2004 | Chou et al. | 2006/0269641 A1 | 11/2006 | Atwood et al. |
| 2004/0072375 A1 | 4/2004 | Gjerde et al. | 2006/0269961 A1 | 11/2006 | Fukushima et al. |
| 2004/0086427 A1 | 5/2004 | Childers et al. | 2007/0004028 A1 | 1/2007 | Lair et al. |
| 2004/0086956 A1 | 5/2004 | Bachur | 2007/0009386 A1 | 1/2007 | Padmanabhan et al. |
| 2004/0132059 A1 | 7/2004 | Scurati et al. | 2007/0020699 A1 | 1/2007 | Carpenter et al. |
| 2004/0141887 A1 | 7/2004 | Mainquist et al. | 2007/0020764 A1 | 1/2007 | Miller |
| 2004/0151629 A1 | 8/2004 | Pease et al. | 2007/0026421 A1 | 2/2007 | Sundberg et al. |
| 2004/0157220 A1 | 8/2004 | Kurnool et al. | 2007/0042441 A1 | 2/2007 | Masters et al. |
| 2004/0161788 A1 | 8/2004 | Chen et al. | 2007/0048188 A1 | 3/2007 | Bigus |
| 2004/0189311 A1 | 9/2004 | Glezer et al. | 2007/0054413 A1 | 3/2007 | Aviles et al. |
| 2004/0197810 A1 | 10/2004 | Takenaka et al. | 2007/0077648 A1 | 4/2007 | Okamoto et al. |
| 2004/0200909 A1 | 10/2004 | McMillan et al. | 2007/0092901 A1 | 4/2007 | Ligler et al. |
| 2004/0209331 A1 | 10/2004 | Ririe | 2007/0098600 A1 | 5/2007 | Kayyem et al. |
| 2004/0209354 A1 | 10/2004 | Mathies et al. | 2007/0099200 A1 | 5/2007 | Chow et al. |
| 2004/0219070 A1 | 11/2004 | Handique | 2007/0104617 A1 | 5/2007 | Coulling et al. |
| 2004/0224317 A1 | 11/2004 | Kordunsky et al. | 2007/0116613 A1 | 5/2007 | Elsener |
| 2004/0235154 A1 | 11/2004 | Oh et al. | 2007/0154895 A1 | 7/2007 | Spaid et al. |
| 2004/0240097 A1 | 12/2004 | Evans | 2007/0177147 A1 | 8/2007 | Parce |
| 2005/0009174 A1 | 1/2005 | Nikiforov et al. | 2007/0178607 A1 | 8/2007 | Prober et al. |
| 2005/0013737 A1 | 1/2005 | Chow et al. | 2007/0184463 A1 | 8/2007 | Molho et al. |
| 2005/0037471 A1 | 2/2005 | Liu et al. | 2007/0184547 A1 | 8/2007 | Handique et al. |
| 2005/0041525 A1 | 2/2005 | Pugia et al. | 2007/0196237 A1 | 8/2007 | Neuzil et al. |
| 2005/0042639 A1 | 2/2005 | Knapp et al. | 2007/0196238 A1 | 8/2007 | Kennedy et al. |
| 2005/0048540 A1 | 3/2005 | Inami et al. | 2007/0199821 A1 | 8/2007 | Chow |
| 2005/0058574 A1 | 3/2005 | Bysouth et al. | 2007/0215554 A1 | 9/2007 | Kreuwel et al. |
| 2005/0058577 A1 | 3/2005 | Micklash et al. | 2007/0218459 A1 | 9/2007 | Miller et al. |
| 2005/0064535 A1 | 3/2005 | Favuzzi et al. | 2007/0231213 A1 | 10/2007 | Prabhu et al. |
| 2005/0069898 A1 | 3/2005 | Moon et al. | 2007/0243626 A1 | 10/2007 | Windeyer et al. |
| 2005/0084424 A1 | 4/2005 | Ganesan et al. | 2007/0261479 A1 | 11/2007 | Spaid et al. |
| 2005/0106066 A1 | 5/2005 | Saltsman et al. | 2007/0269861 A1 | 11/2007 | Williams et al. |
| 2005/0112754 A1 | 5/2005 | Yoon et al. | 2007/0292941 A1 | 12/2007 | Handique et al. |
| 2005/0121324 A1 | 6/2005 | Park et al. | 2008/0000774 A1 | 1/2008 | Park et al. |
| 2005/0129580 A1 | 6/2005 | Swinehart et al. | 2008/0003649 A1 | 1/2008 | Maltezos et al. |
| 2005/0133370 A1 | 6/2005 | Park et al. | 2008/0017306 A1 | 1/2008 | Liu et al. |
| 2005/0135655 A1 | 6/2005 | Kopf-Sill et al. | 2008/0050804 A1 | 2/2008 | Handique et al. |
| 2005/0142036 A1 | 6/2005 | Kim et al. | 2008/0056948 A1 | 3/2008 | Dale et al. |
| 2005/0152808 A1 | 7/2005 | Ganesan | 2008/0069729 A1 | 3/2008 | McNeely |
| 2005/0158781 A1 | 7/2005 | Woudenberg et al. | 2008/0075634 A1 | 3/2008 | Herchenbach et al. |
| 2005/0170362 A1 | 8/2005 | Wada et al. | 2008/0090244 A1 | 4/2008 | Knapp et al. |
| 2005/0186585 A1 | 8/2005 | Juncosa et al. | 2008/0095673 A1 | 4/2008 | Xu |
| 2005/0196321 A1 | 9/2005 | Huang | 2008/0118987 A1 | 5/2008 | Eastwood et al. |
| 2005/0202470 A1 | 9/2005 | Sundberg et al. | 2008/0124723 A1 | 5/2008 | Dale et al. |
| 2005/0202489 A1 | 9/2005 | Cho et al. | 2008/0149840 A1 | 6/2008 | Handique et al. |
| 2005/0202504 A1 | 9/2005 | Anderson et al. | 2008/0160601 A1 | 7/2008 | Handique |
| 2005/0208676 A1 | 9/2005 | Kahatt | 2008/0176230 A1 | 7/2008 | Owen et al. |
| 2005/0214172 A1 | 9/2005 | Burgisser | 2008/0182301 A1 | 7/2008 | Handique et al. |
| 2005/0220675 A1 | 10/2005 | Reed et al. | 2008/0192254 A1 | 8/2008 | Kim et al. |
| 2005/0227269 A1 | 10/2005 | Lloyd et al. | 2008/0226502 A1 | 9/2008 | Jonsmann et al. |
| 2005/0233370 A1 | 10/2005 | Ammann et al. | 2008/0240898 A1 | 10/2008 | Manz et al. |
| 2005/0238545 A1 | 10/2005 | Parce et al. | 2008/0247914 A1 | 10/2008 | Edens et al. |
| 2005/0272079 A1 | 12/2005 | Burns et al. | 2008/0262213 A1 | 10/2008 | Wu et al. |
| 2005/0276728 A1 | 12/2005 | Muller-Cohn et al. | 2008/0280285 A1 | 11/2008 | Chen et al. |
| | | | 2008/0308500 A1 | 12/2008 | Brassard |
| | | | 2009/0047180 A1 | 2/2009 | Kawahara |
| | | | 2009/0047713 A1 | 2/2009 | Handique |
| | | | 2009/0066339 A1 | 3/2009 | Glezer et al. |

(56)

References Cited

U.S. PATENT DOCUMENTS

2009/0129978 A1 5/2009 Wilson et al.
 2009/0130719 A1 5/2009 Handique
 2009/0130745 A1 5/2009 Williams et al.
 2009/0131650 A1 5/2009 Brahmasandra et al.
 2009/0134069 A1 5/2009 Handique
 2009/0136385 A1 5/2009 Handique et al.
 2009/0136386 A1 5/2009 Duffy et al.
 2009/0155123 A1 6/2009 Williams et al.
 2009/0189089 A1 7/2009 Bedingham et al.
 2009/0221059 A1 9/2009 Williams et al.
 2009/0223925 A1 9/2009 Morse et al.
 2009/0325164 A1 12/2009 Vossenaar et al.
 2010/0009351 A1 1/2010 Brahmasandra et al.
 2010/0120129 A1 5/2010 Amshey et al.
 2010/0173393 A1 7/2010 Handique et al.
 2010/0284864 A1 11/2010 Holenstein et al.
 2011/0008825 A1 1/2011 Ingber et al.
 2011/0027151 A1 2/2011 Handique et al.
 2011/0097493 A1 4/2011 Kerr et al.
 2011/0127292 A1 6/2011 Sarofim et al.
 2011/0158865 A1 6/2011 Miller et al.
 2011/0207140 A1 8/2011 Handique et al.
 2011/0210257 A9 9/2011 Handique et al.
 2011/0287447 A1 11/2011 Norderhaug
 2011/0300033 A1 12/2011 Battisti
 2012/0022695 A1 1/2012 Handique et al.
 2012/0085416 A1 4/2012 Ganesan
 2012/0122108 A1 5/2012 Handique
 2012/0122231 A1 5/2012 Tajima
 2012/0160826 A1 6/2012 Handique
 2012/0171678 A1 7/2012 Maltezos et al.
 2012/0171759 A1 7/2012 Williams et al.
 2012/0183454 A1 7/2012 Handique
 2012/0258463 A1 10/2012 Duffy et al.
 2013/0037564 A1 2/2013 Williams et al.
 2013/0071851 A1 3/2013 Handique et al.
 2013/0096292 A1 4/2013 Brahmasandra et al.
 2013/0101990 A1 4/2013 Handique et al.
 2013/0164832 A1 6/2013 Ganesan et al.
 2013/0183769 A1 7/2013 Tajima
 2013/0217013 A1 8/2013 Steel et al.
 2013/0217102 A1 8/2013 Ganesan et al.
 2013/0251602 A1 9/2013 Handique et al.
 2013/0280131 A1 10/2013 Handique et al.
 2013/0288358 A1 10/2013 Handique et al.
 2013/0315800 A1 11/2013 Yin et al.
 2014/0030798 A1 1/2014 Wu et al.
 2014/0045186 A1 2/2014 Gubatayao et al.
 2014/0206088 A1 7/2014 Lentz et al.
 2014/0212882 A1 7/2014 Handique et al.
 2014/0227710 A1 8/2014 Handique et al.
 2014/0297047 A1 10/2014 Ganesan et al.
 2014/0323357 A1 10/2014 Handique et al.
 2014/0323711 A1 10/2014 Brahmasandra et al.
 2014/0329301 A1 11/2014 Handique et al.
 2014/0342352 A1 11/2014 Handique et al.
 2014/0377850 A1 12/2014 Handique et al.
 2015/0064702 A1 3/2015 Handique et al.
 2015/0118684 A1 4/2015 Wu et al.
 2015/0133345 A1 5/2015 Handique et al.
 2015/0142186 A1 5/2015 Handique et al.
 2015/0152477 A1 6/2015 Ganesan et al.
 2015/0174579 A1 6/2015 Iten et al.
 2015/0315631 A1 11/2015 Handique et al.
 2015/0328638 A1 11/2015 Handique et al.
 2015/0376682 A1 12/2015 Handique
 2016/0038942 A1 2/2016 Roberts
 2016/0102305 A1 4/2016 Brahmasandra et al.
 2016/0107161 A1 4/2016 Lentz et al.
 2016/0250635 A1 9/2016 Handique
 2016/0250640 A1 9/2016 Williams et al.
 2016/0333337 A1 11/2016 Duffy et al.
 2017/0097373 A1 4/2017 Williams et al.
 2017/0266666 A1 9/2017 Lentz et al.

2018/0017184 A1 1/2018 Handique
 2018/0112252 A1 4/2018 Handique
 2018/0119204 A1 5/2018 Ganesan et al.

FOREIGN PATENT DOCUMENTS

CN 101466848 6/2009
 CN 101522909 9/2009
 CN 103540518 1/2014
 DE 19929734 12/1999
 DE 19833293 C1 1/2000
 EP 0365828 A2 5/1990
 EP 0483620 A2 5/1992
 EP 0688602 A2 12/1995
 EP 0766256 4/1997
 EP 0772494 B1 5/1997
 EP 1059458 A2 12/2000
 EP 1077086 A2 2/2001
 EP 1346772 A2 9/2003
 EP 1541237 A2 6/2005
 EP 1574586 A2 9/2005
 EP 1780290 A2 5/2007
 EP 1792656 A1 6/2007
 EP 2372367 A1 10/2011
 FR 2672301 8/1992
 FR 2795426 12/2000
 GB 2453432 A 4/2009
 JP S50-100881 8/1975
 JP 58212921 A 12/1983
 JP S62-119460 5/1987
 JP H01-502319 8/1989
 JP H 03181853 8/1991
 JP 04-053555 U 5/1992
 JP 06-064156 U 9/1994
 JP 07-020010 1/1995
 JP H07-290706 11/1995
 JP H08-122336 5/1996
 JP H08-173194 7/1996
 JP H08-211071 8/1996
 JP H08-285859 11/1996
 JP H09-325151 12/1997
 JP 2001-502790 1/1998
 JP H 11-501504 2/1999
 JP H 11503315 3/1999
 JP 2000-514928 4/1999
 JP H 11316226 11/1999
 JP H11-515106 12/1999
 JP 2000-180455 6/2000
 JP 2000-266760 9/2000
 JP 2000-275255 10/2000
 JP 2001-502319 2/2001
 JP 2001-204462 7/2001
 JP 2001-509437 7/2001
 JP 3191150 B2 7/2001
 JP 2001-515216 9/2001
 JP 2001-523812 11/2001
 JP 2001-527220 12/2001
 JP 2002-503331 1/2002
 JP 2002-085961 3/2002
 JP 2002-517735 6/2002
 JP 2002-215241 7/2002
 JP 2002-540382 11/2002
 JP 2002-544476 12/2002
 JP 2003-500674 1/2003
 JP 2003-047839 A 2/2003
 JP 2003-047840 A 2/2003
 JP 2003-516125 5/2003
 JP 2003-164279 6/2003
 JP 2003-185584 7/2003
 JP 2003-299485 10/2003
 JP 2003-329693 11/2003
 JP 2003-329696 11/2003
 JP 2003-532382 A 11/2003
 JP 2004-003989 1/2004
 JP 2004-506179 A 2/2004
 JP 2004-150797 A 5/2004
 JP 2004-531360 A 10/2004
 JP 2004-533838 11/2004
 JP 2004-361421 12/2004

(56)

References Cited

FOREIGN PATENT DOCUMENTS

JP 2004-536291 12/2004
 JP 2005-009870 1/2005
 JP 2005-010179 1/2005
 JP 2005-511264 4/2005
 JP 2005-514718 5/2005
 JP 2005-518825 6/2005
 JP 2005-176613 A 7/2005
 JP 2005-192439 7/2005
 JP 2005-192554 7/2005
 JP 2005-204661 8/2005
 JP 2005-525816 9/2005
 JP 2005-291954 A 10/2005
 JP 2005-532043 10/2005
 JP 2005-323519 11/2005
 JP 2005-533652 11/2005
 JP 2005-535904 11/2005
 JP 2006-021156 A 1/2006
 JP 2006-094866 A 4/2006
 JP 2006-145458 6/2006
 JP 2006-167569 6/2006
 JP 2007-074960 3/2007
 JP 2007-097477 4/2007
 JP 2007-101364 4/2007
 JP 2007-510518 4/2007
 JP 2007-514405 A 6/2007
 JP 2007-178328 7/2007
 JP 2007-535933 12/2007
 JP 2009-542207 12/2009
 RU 2418633 5/2011
 WO WO 88/06633 9/1988
 WO WO 90/12350 10/1990
 WO WO 92/05443 4/1992
 WO WO 94/11103 5/1994
 WO WO 96/04547 2/1996
 WO WO 97/05492 2/1997
 WO WO 97/21090 6/1997
 WO WO 98/00231 1/1998
 WO WO 98/22625 5/1998
 WO WO 1998/35013 8/1998
 WO WO 98/49548 11/1998
 WO WO 98/53311 11/1998
 WO WO 99/01688 1/1999
 WO WO 99/09042 2/1999
 WO WO 99/12016 3/1999
 WO WO 1999/017093 4/1999
 WO WO 99/33559 7/1999
 WO WO 01/005510 1/2001
 WO WO 01/014931 3/2001
 WO WO 01/027614 4/2001
 WO WO 01/028684 4/2001
 WO WO 2001/030995 5/2001

WO WO 2001/041931 6/2001
 WO WO 01/054813 8/2001
 WO WO 01/089681 11/2001
 WO WO 02/072264 9/2002
 WO WO 02/078845 10/2002
 WO WO 2002/086454 10/2002
 WO WO 2003/007677 1/2003
 WO WO 03/012325 2/2003
 WO WO 03/012406 2/2003
 WO WO 03/048295 6/2003
 WO WO 03/055605 7/2003
 WO WO 03/076661 9/2003
 WO WO 03/087410 10/2003
 WO WO 04/007081 1/2004
 WO WO 2004/048545 6/2004
 WO WO 04/055522 7/2004
 WO WO 2004/056485 7/2004
 WO WO 04/074848 9/2004
 WO WO 2004/094986 11/2004
 WO WO 2005/008255 1/2005
 WO WO 05/011867 2/2005
 WO WO 2005/030984 4/2005
 WO WO 2005/072353 8/2005
 WO WO 05/108620 11/2005
 WO WO 2005/107947 11/2005
 WO WO 2005/108571 11/2005
 WO WO 2005/116202 12/2005
 WO WO 2005/118867 12/2005
 WO WO 2005/120710 12/2005
 WO WO 06/010584 2/2006
 WO WO 2006/032044 3/2006
 WO WO 2006/035800 4/2006
 WO WO 2006/043642 4/2006
 WO WO 2006/066001 6/2006
 WO WO 06/079082 7/2006
 WO WO 2006/081995 8/2006
 WO WO 2006/113198 10/2006
 WO WO 2006/119280 11/2006
 WO WO 07/044917 4/2007
 WO WO 07/050327 5/2007
 WO WO 07/064117 6/2007
 WO WO 2007/091530 8/2007
 WO WO 2007/112114 10/2007
 WO WO 2008/005321 1/2008
 WO WO 08/030914 3/2008
 WO WO 08/060604 5/2008
 WO WO 09/012185 1/2009
 WO WO 09/054870 A2 4/2009
 WO WO 10/118541 10/2010
 WO WO 2010/130310 11/2010
 WO WO 2010/140680 12/2010
 WO WO 2011/101467 8/2011

* cited by examiner

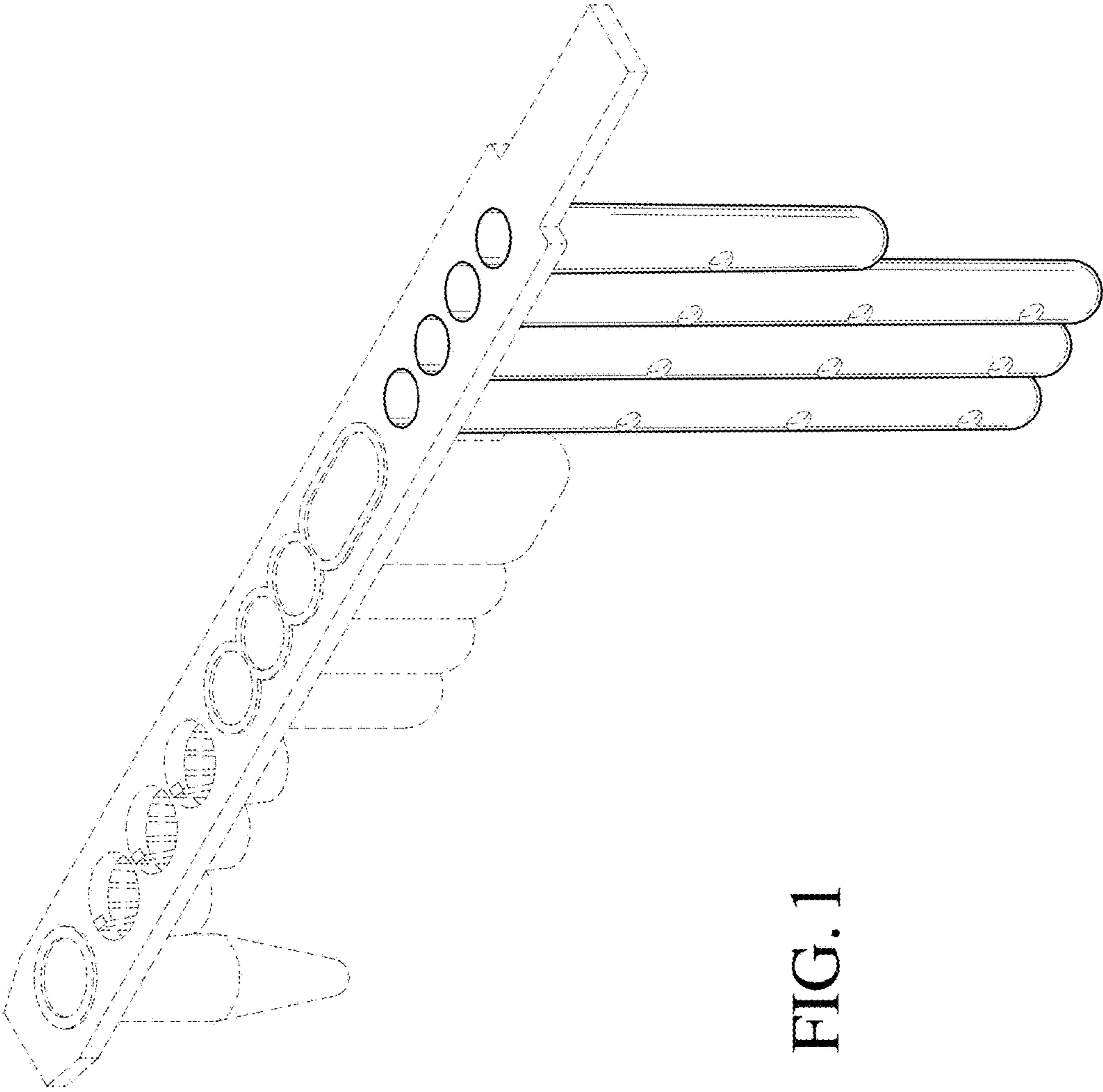


FIG. 1

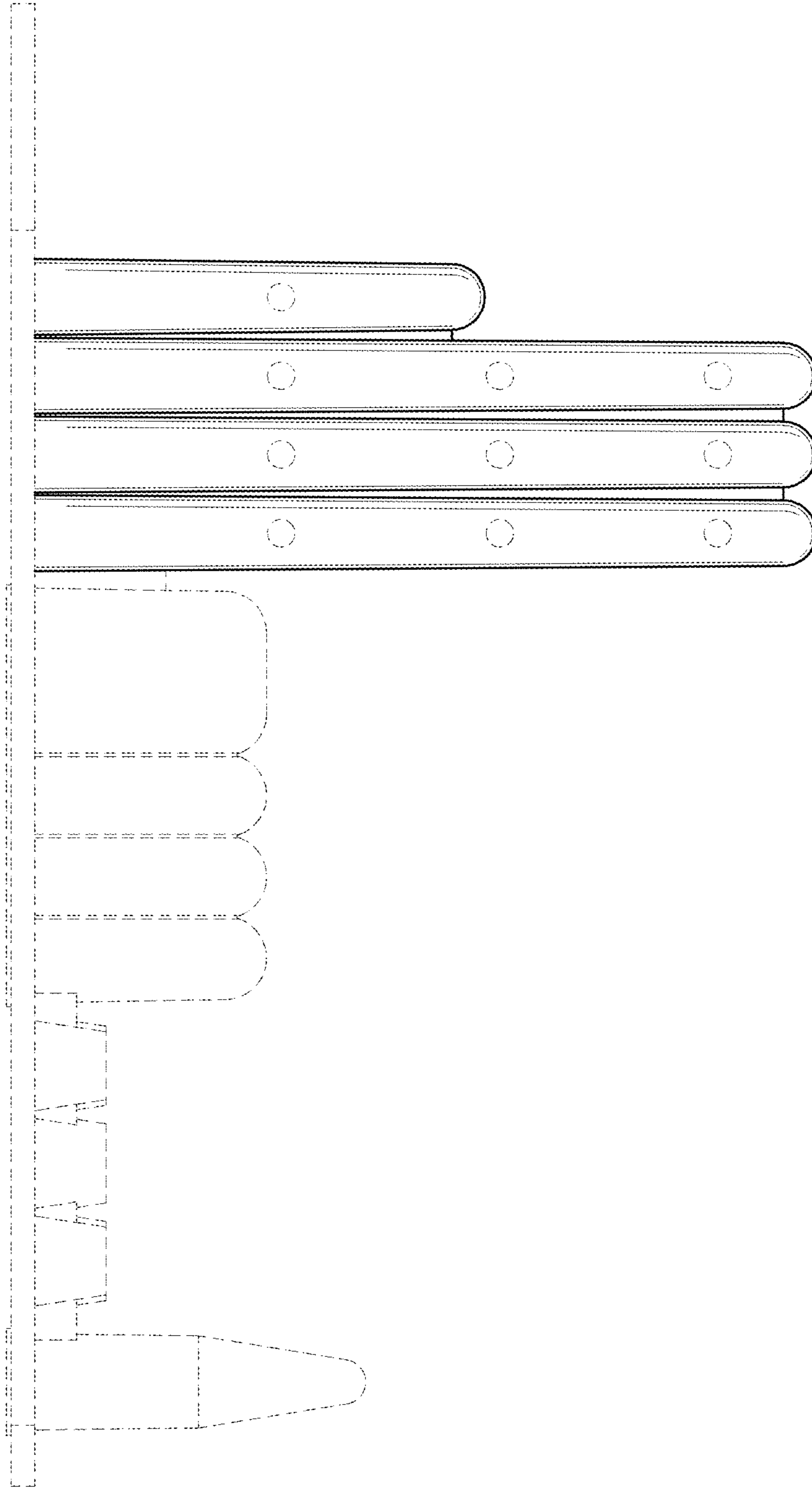


FIG. 2

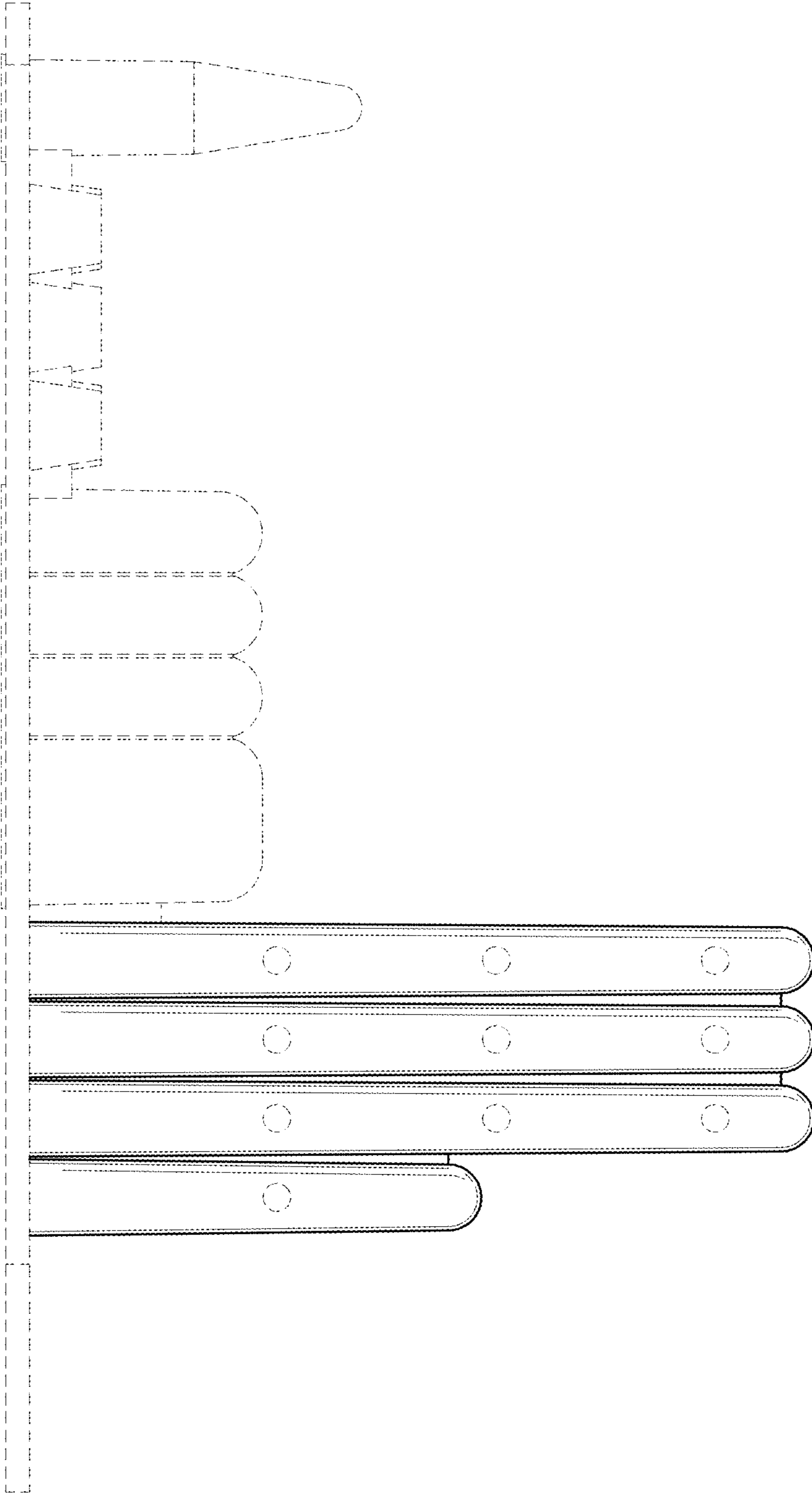


FIG. 3

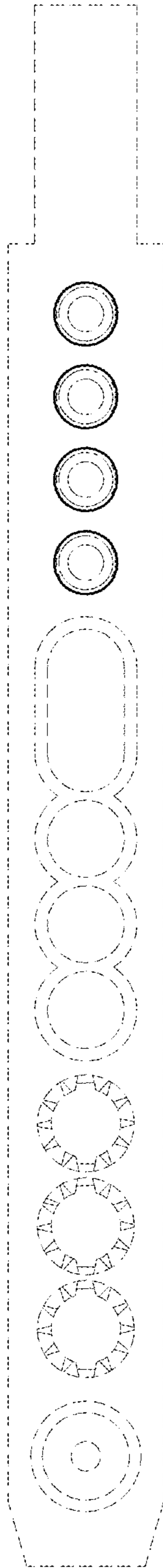


FIG. 4

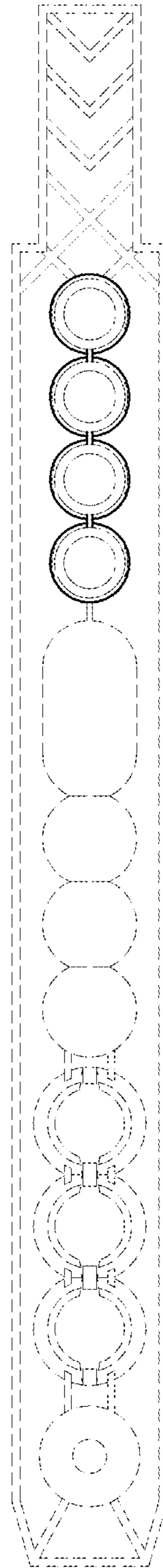


FIG. 5

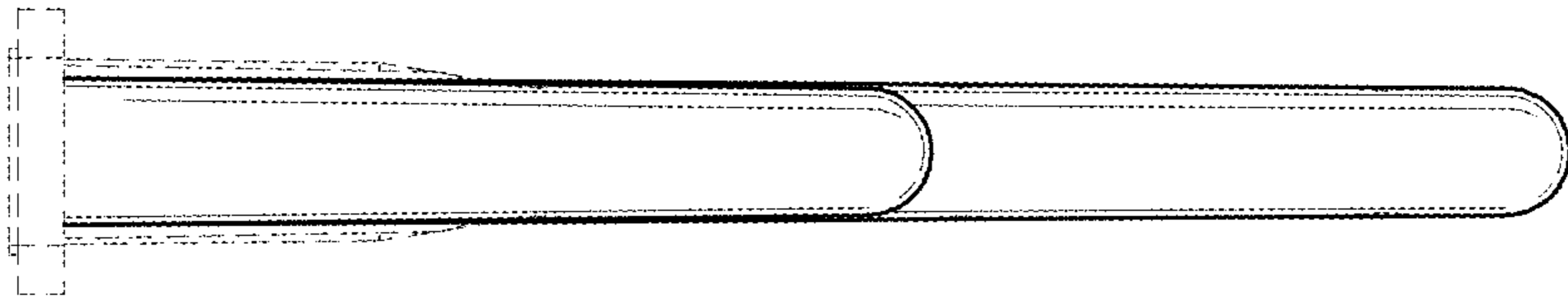


FIG. 7

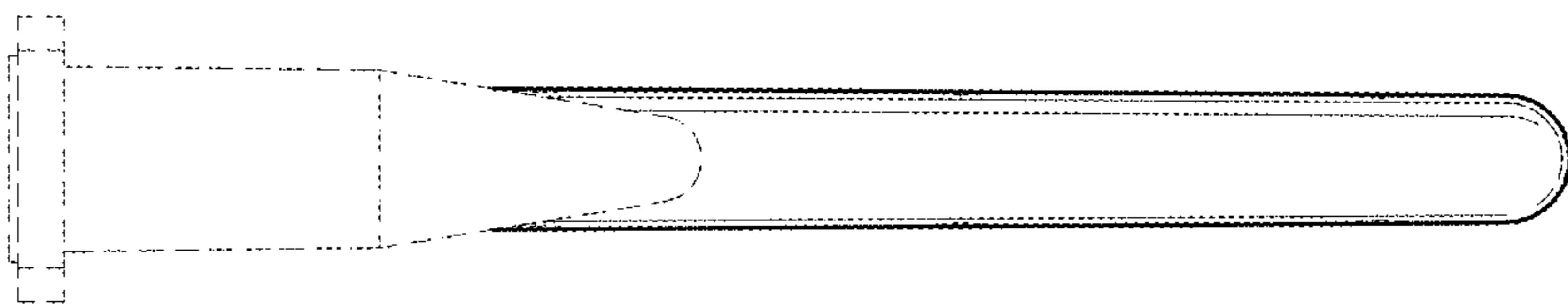


FIG. 6

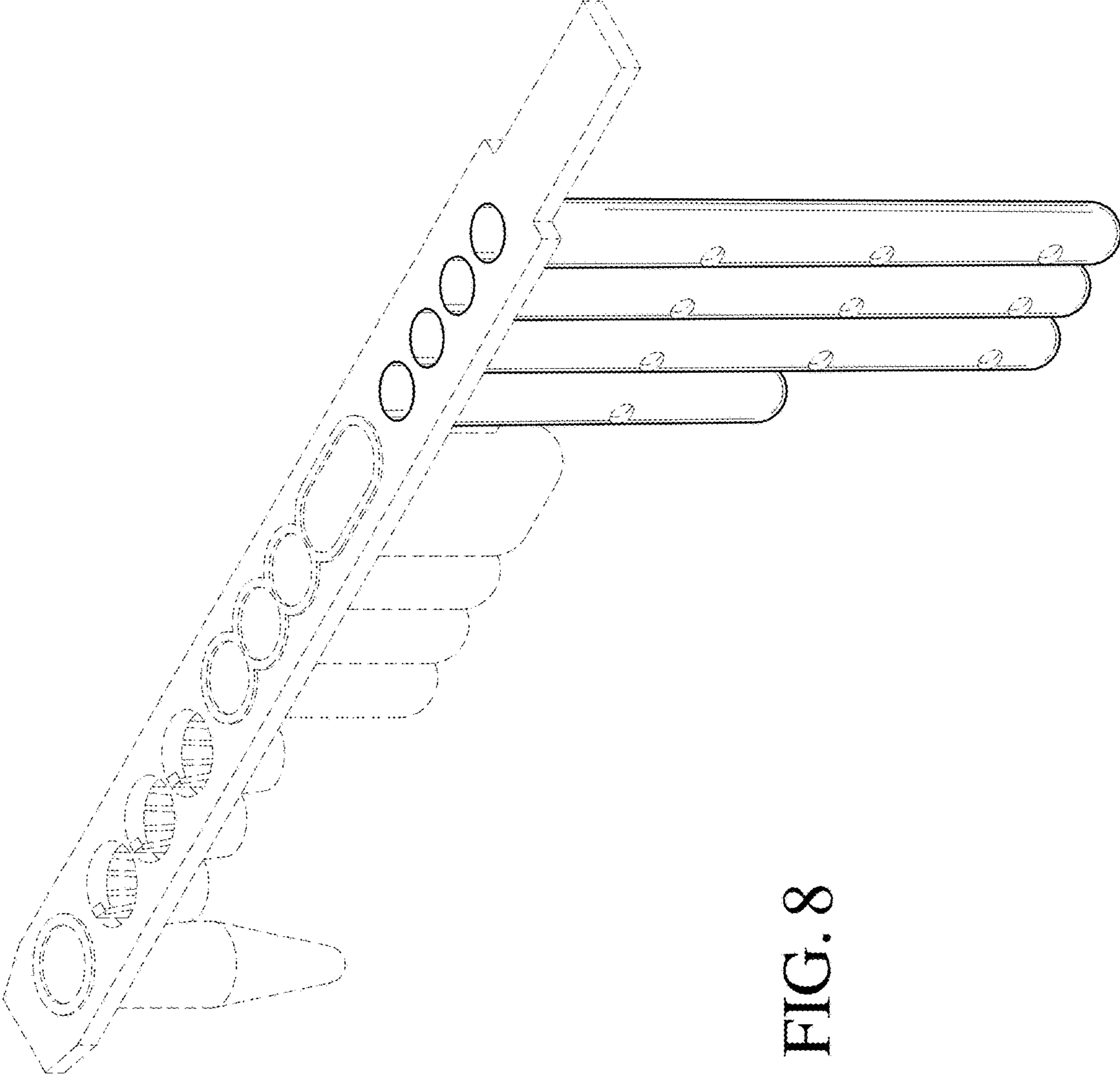


FIG. 8

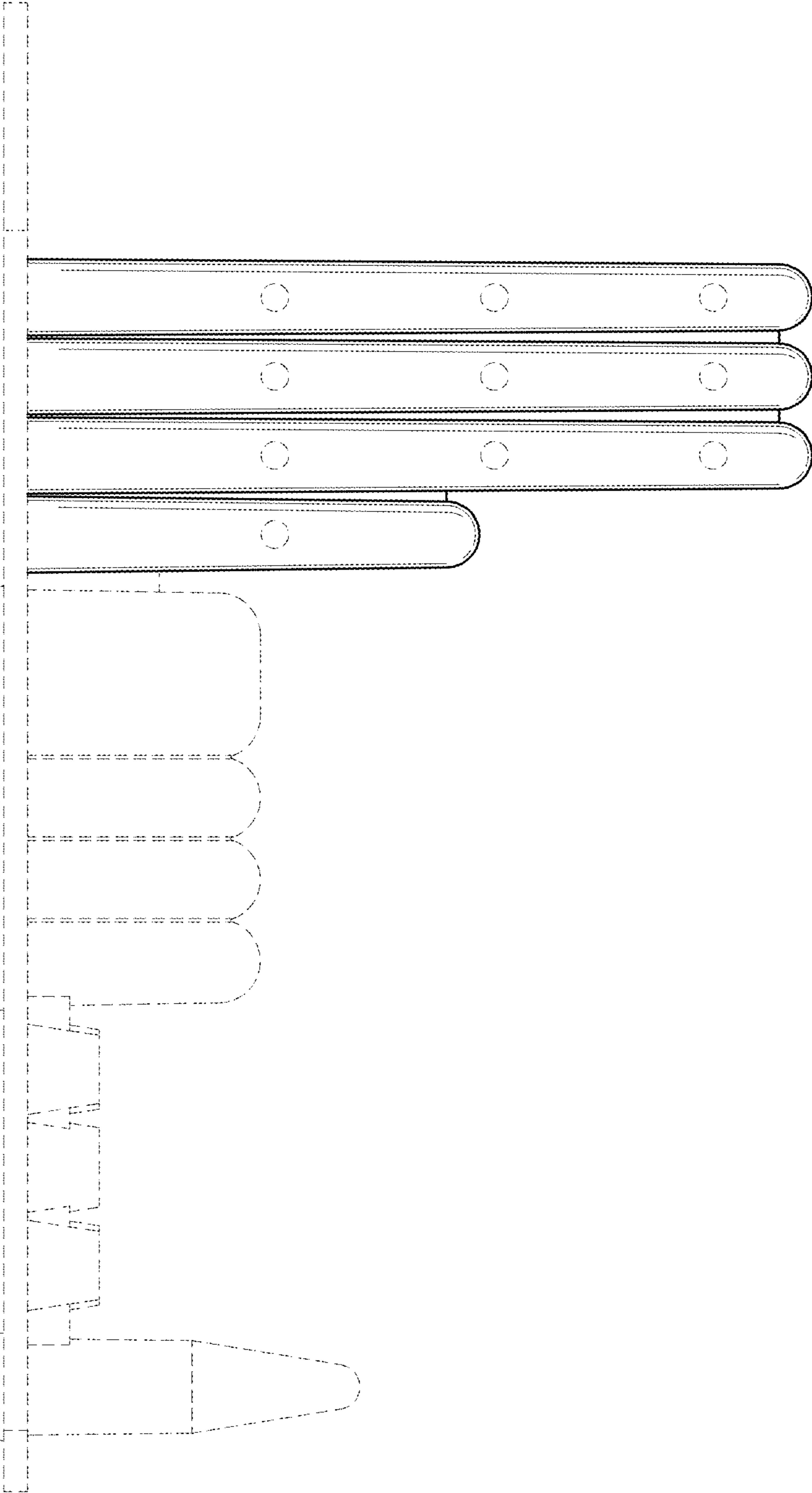


FIG. 9

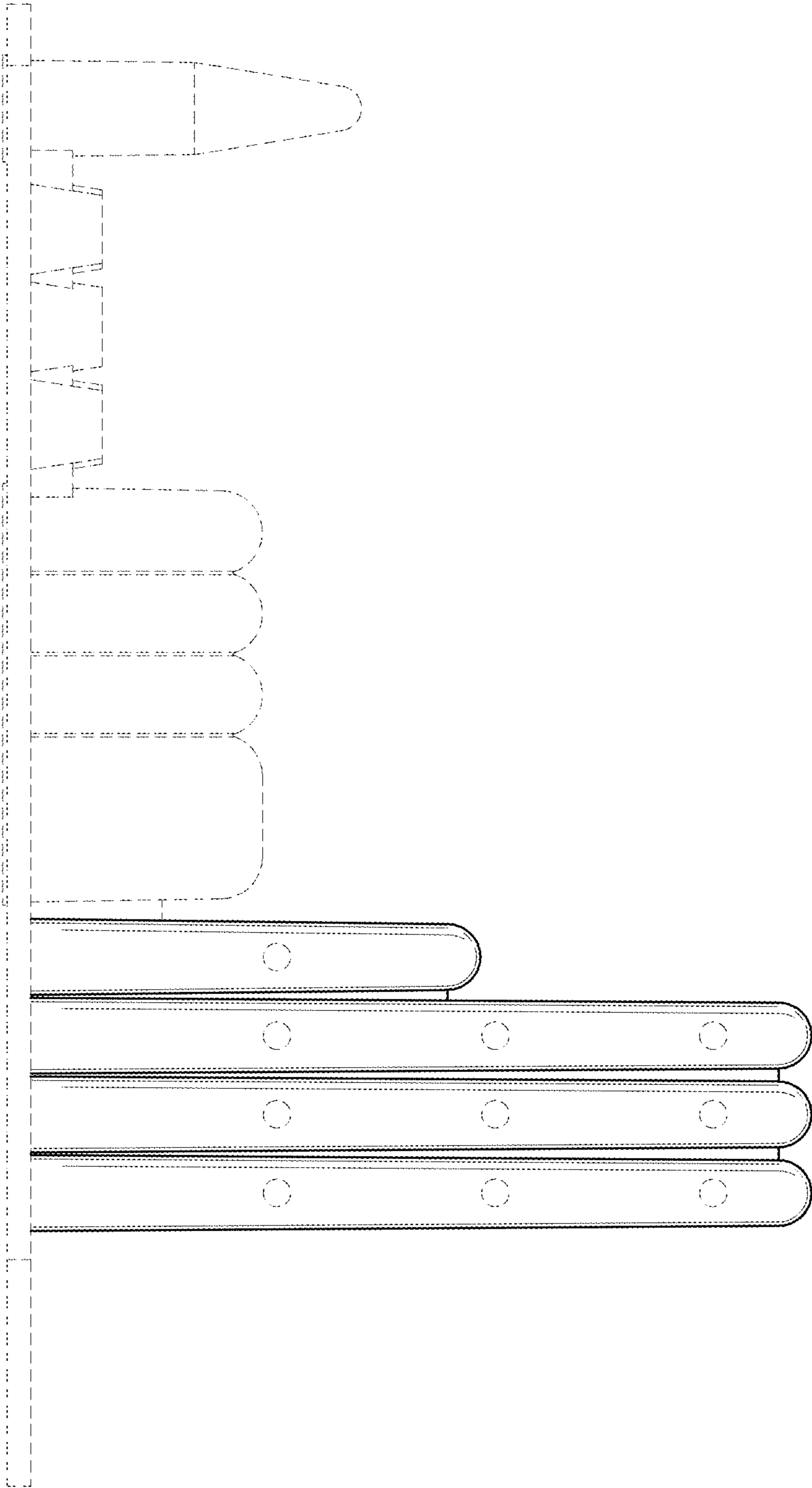


FIG. 10

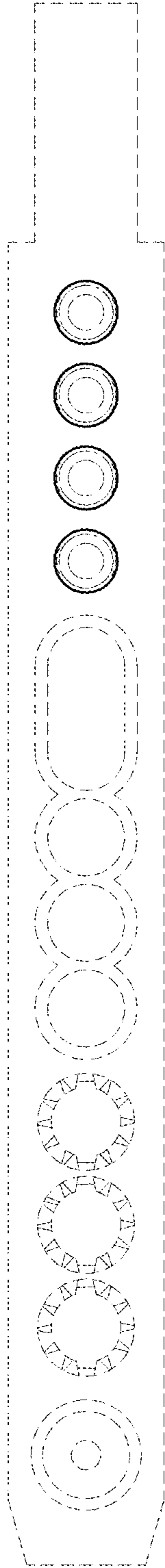


FIG. 11

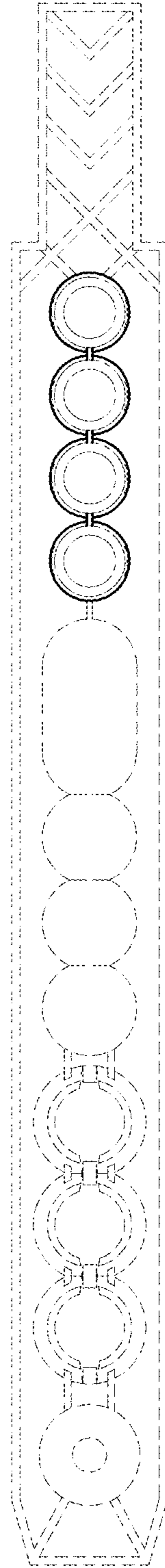


FIG. 12

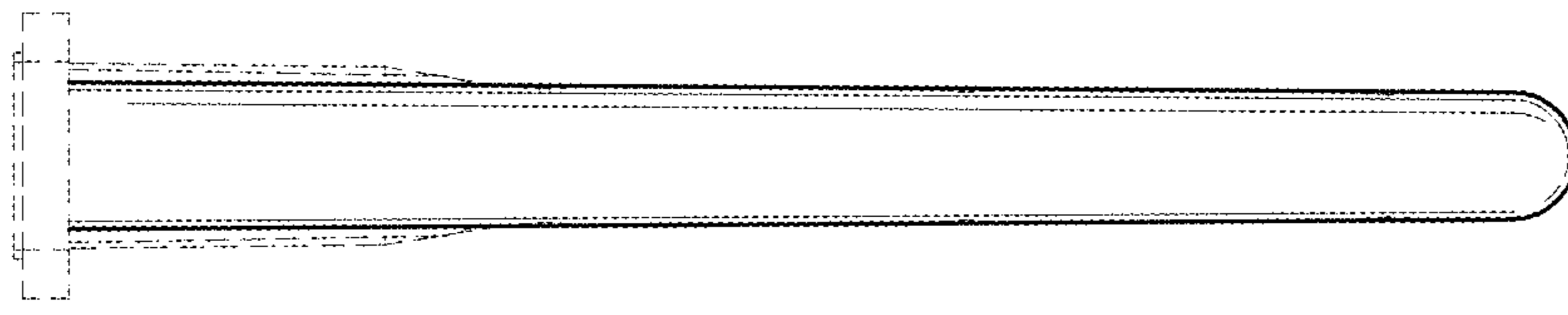


FIG. 14

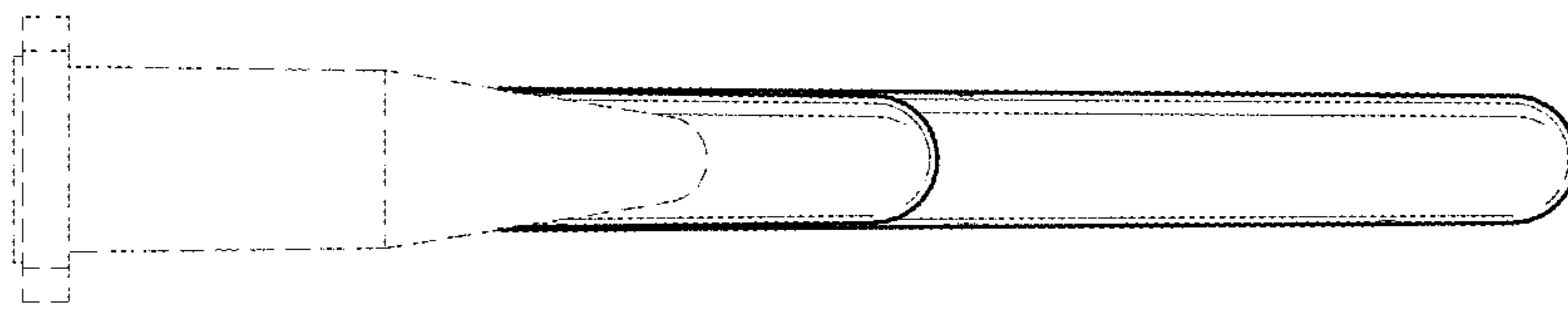


FIG. 13