



US00D831841S

(12) **United States Design Patent**
Tominaga

(10) **Patent No.:** **US D831,841 S**
(45) **Date of Patent:** **** Oct. 23, 2018**

(54) **DESKTOP CENTRIFUGE**
(71) Applicant: **Tomy Kogyo Co., Ltd.**, Tokyo (JP)
(72) Inventor: **Kenjiro Tominaga**, Tokyo (JP)
(73) Assignee: **TOMY KOGYO CO., LTD.**, Tokyo (JP)

6,390,965 B1 * 5/2002 Matsushima B04B 5/0414
494/16
6,805,843 B2 * 10/2004 Tsukui G01N 1/2813
422/551
D525,890 S * 8/2006 Inagaki D10/81
7,419,464 B2 * 9/2008 Matusima B04B 9/08
403/322.2
D689,193 S * 9/2013 Shinohara D24/216
2010/0217940 A1 * 8/2010 Shibutani B04B 13/00
711/153

(**) Term: **15 Years**

* cited by examiner

(21) Appl. No.: **29/559,478**

Primary Examiner — Anhdao Doan

(22) Filed: **Mar. 29, 2016**

(74) *Attorney, Agent, or Firm* — Bacon & Thomas, PLLC

(30) **Foreign Application Priority Data**

(57) **CLAIM**

Oct. 15, 2015 (JP) 2015-022731

The ornamental design for a desktop centrifuge, as shown and described.

(51) **LOC (11) Cl.** **24-01**

DESCRIPTION

(52) **U.S. Cl.**
USPC **D24/219**

(58) **Field of Classification Search**
USPC D24/216–219, 186, 231, 232; D10/81
CPC G01N 9/30; G01N 15/042; G01N 33/491;
B04B 7/02; B04B 15/02
See application file for complete search history.

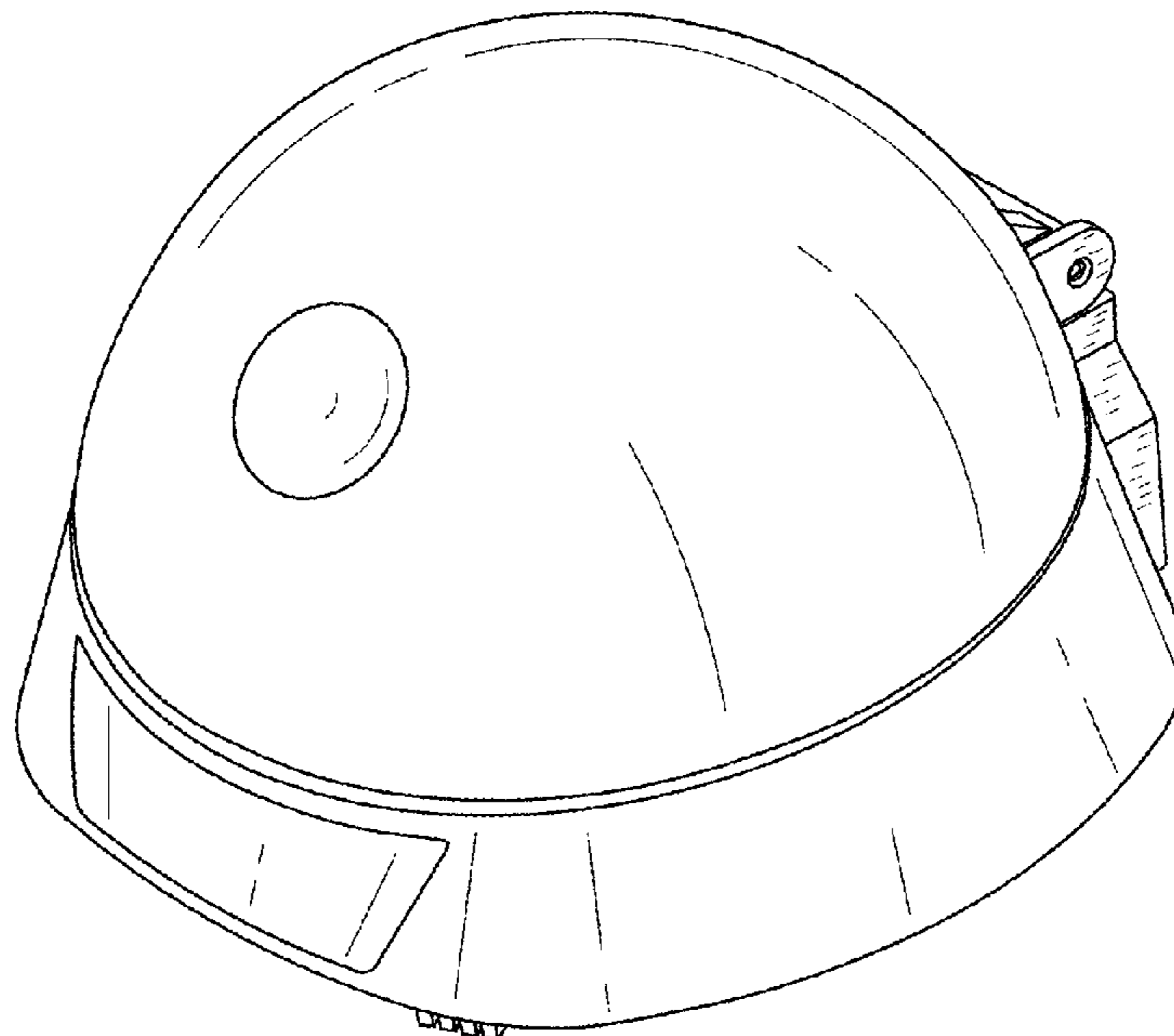
FIG. 1 is a top perspective view of the design for a desktop centrifuge according to the present disclosure;
FIG. 2 is a top plan view thereof;
FIG. 3 is a bottom plan view thereof;
FIG. 4 is a front elevational view thereof;
FIG. 5 is a rear elevational view thereof;
FIG. 6 is a left side elevational view thereof;
FIG. 7 is a right side elevational view thereof;
FIG. 8 is a top perspective view with the lid open; and,
FIG. 9 is a bottom perspective view with the lid open.
The broken lines immediately adjacent the shaded areas represent the bounds of the claim, while all other broken lines are directed to environment and are for illustrative purposes only; the broken lines form no part of the claimed design.

(56) **References Cited**

U.S. PATENT DOCUMENTS

3,970,245 A * 7/1976 Aeschlimann B04B 5/0414
494/11
D303,147 S * 8/1989 Ota D24/219
D329,902 S * 9/1992 Kim D24/219
D335,930 S * 5/1993 Tominaga D24/219
D343,904 S * 2/1994 Silver D24/219
D437,418 S * 2/2001 Suzuki D24/219

1 Claim, 5 Drawing Sheets



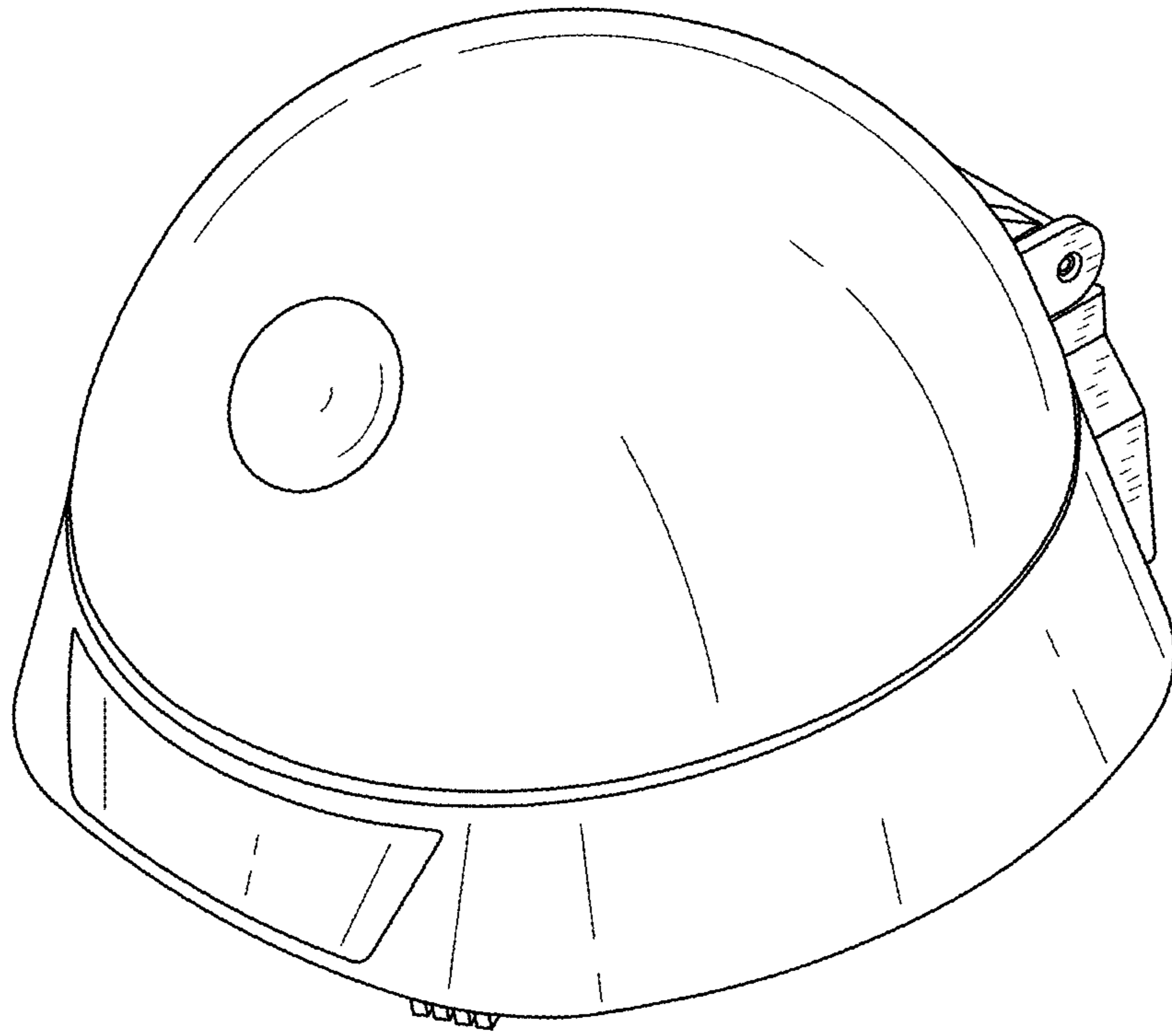


FIG. 1

FIG. 2

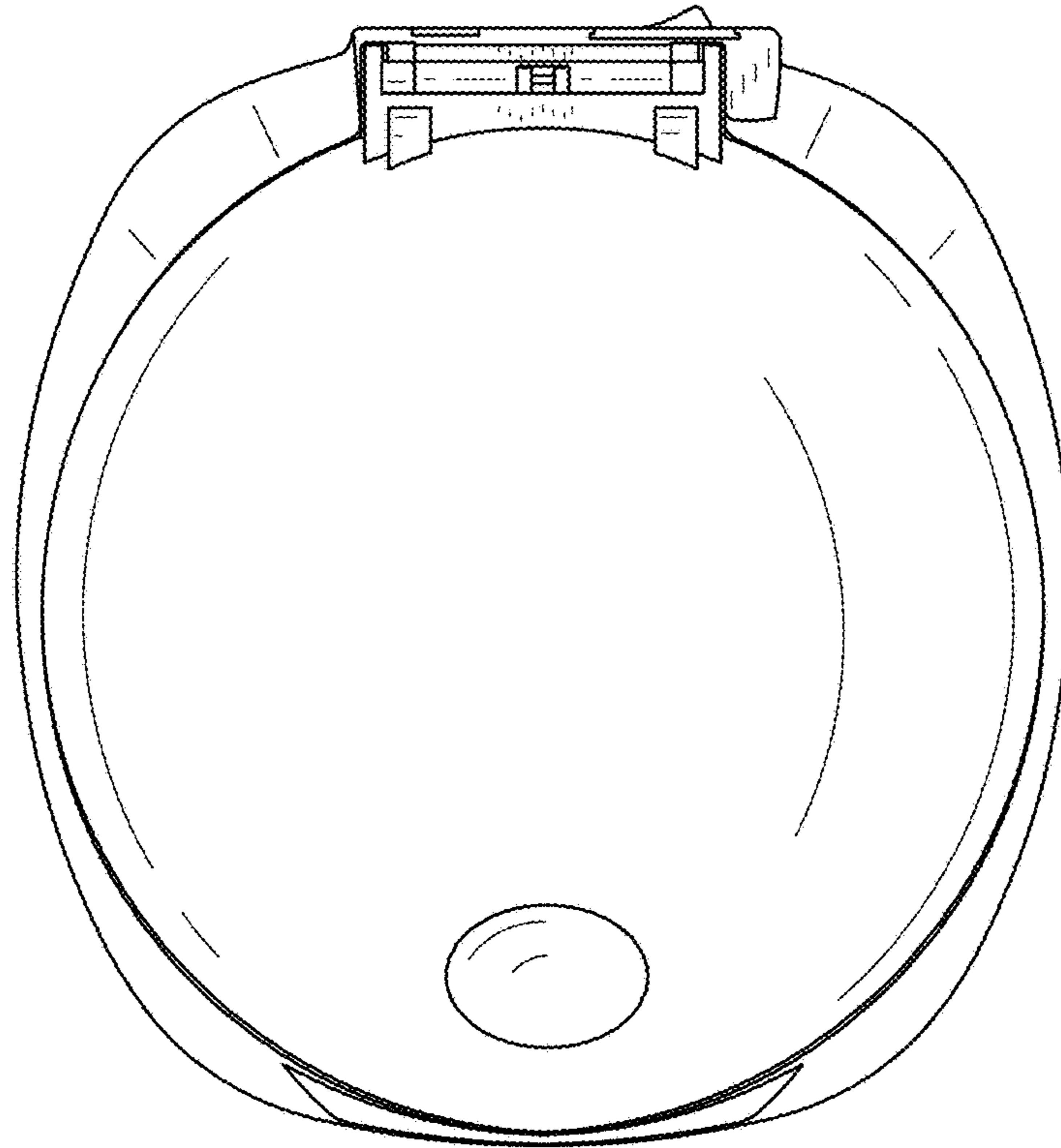
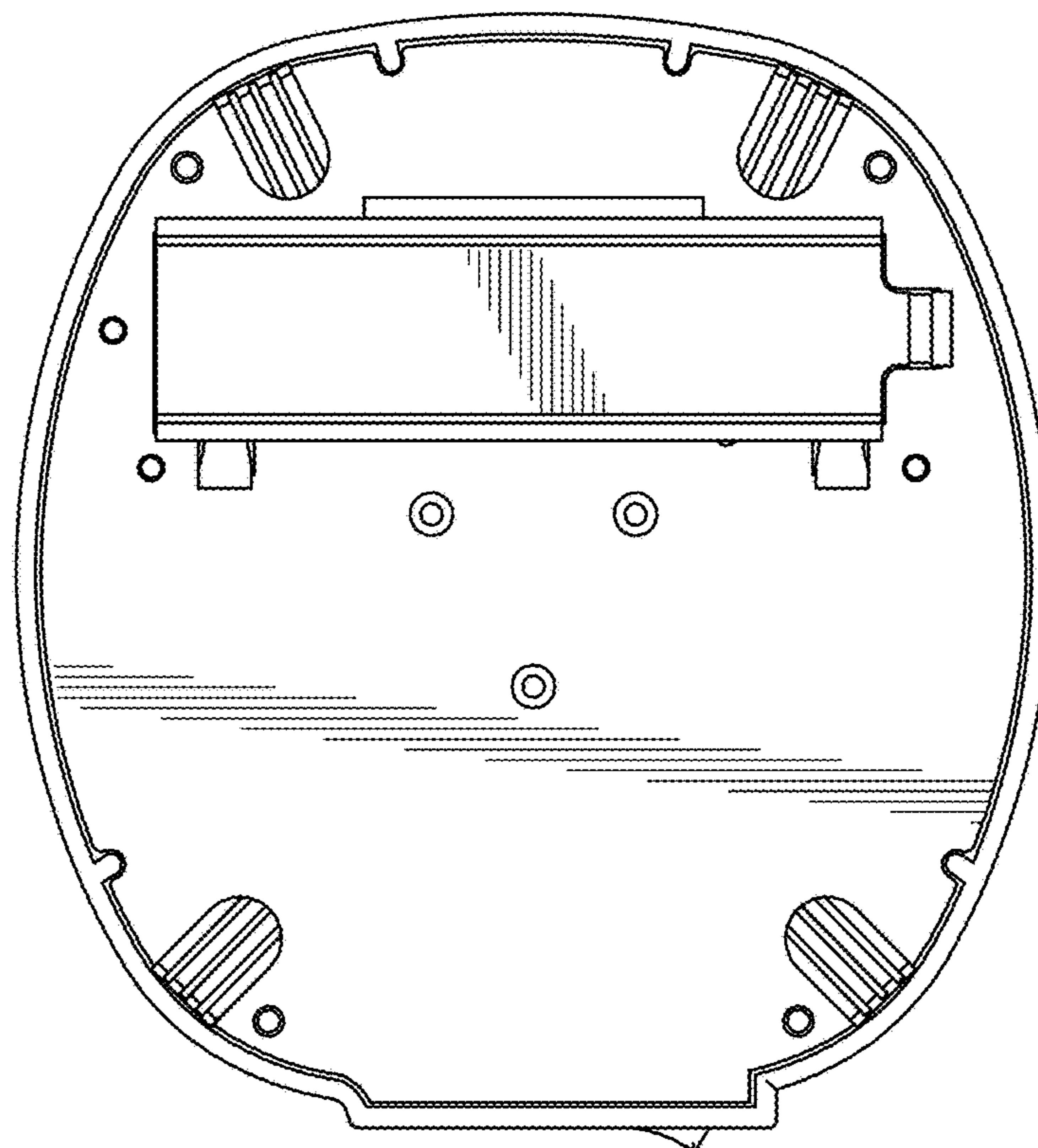


FIG. 3



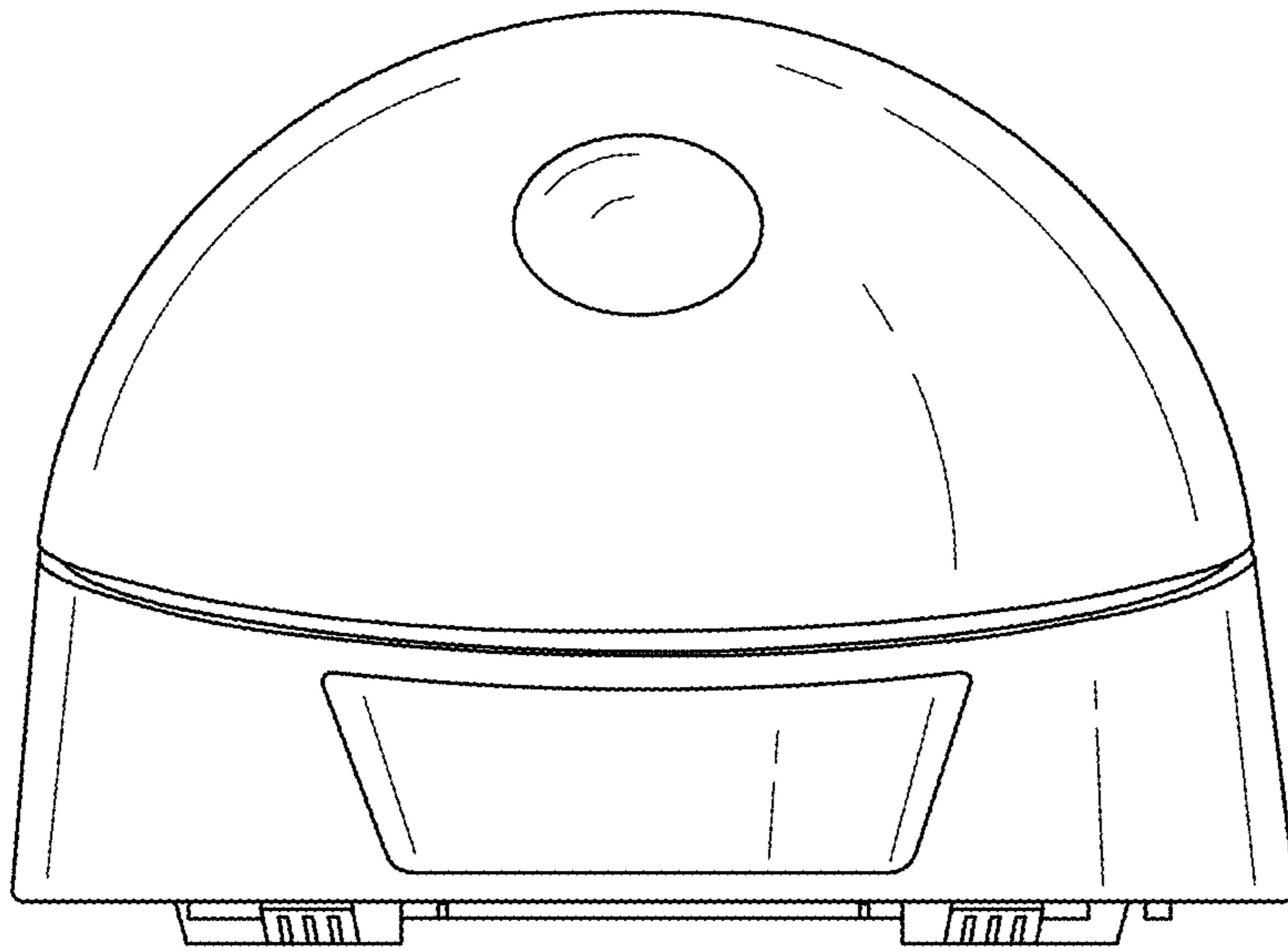


FIG. 4

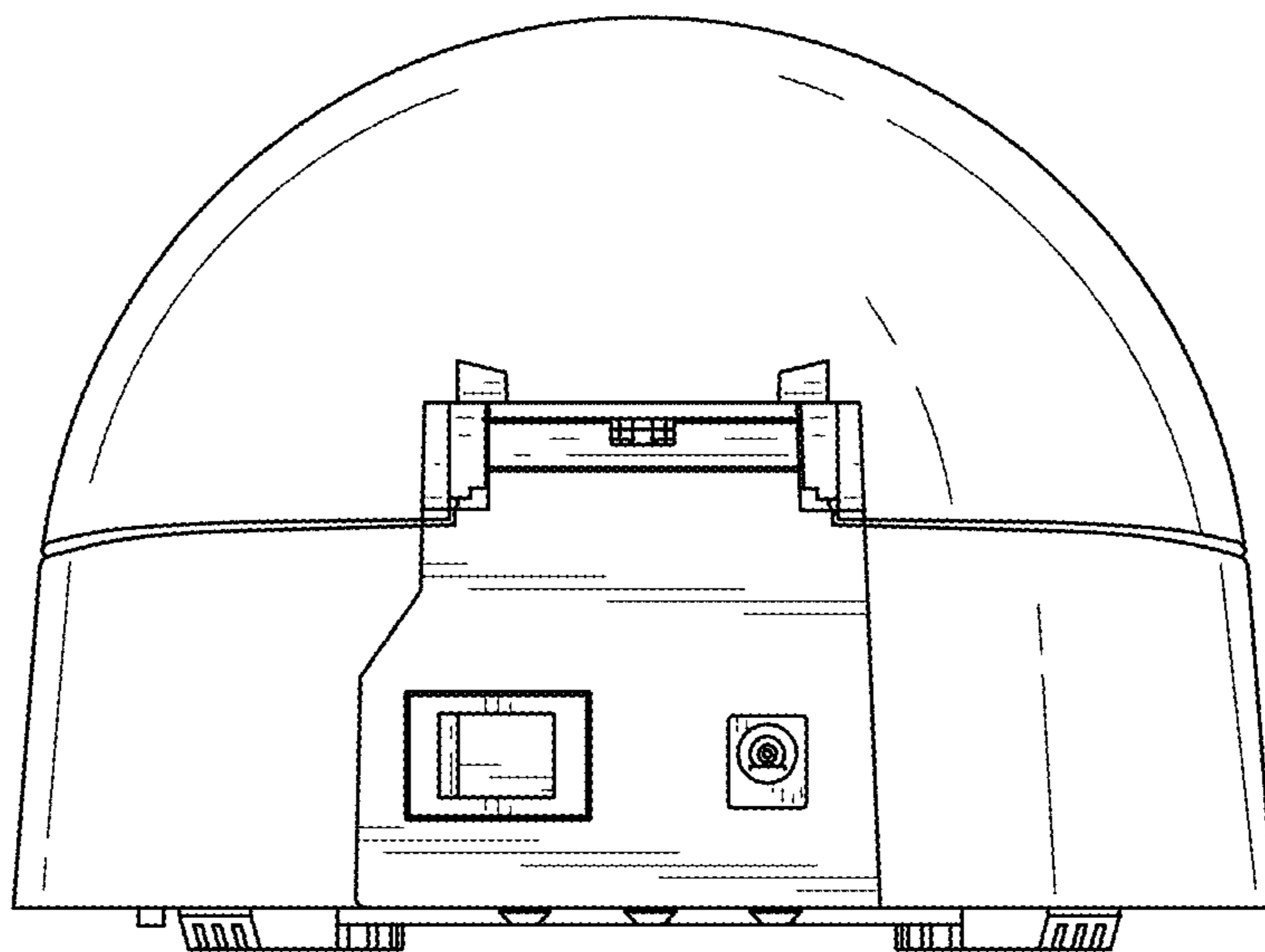


FIG. 5

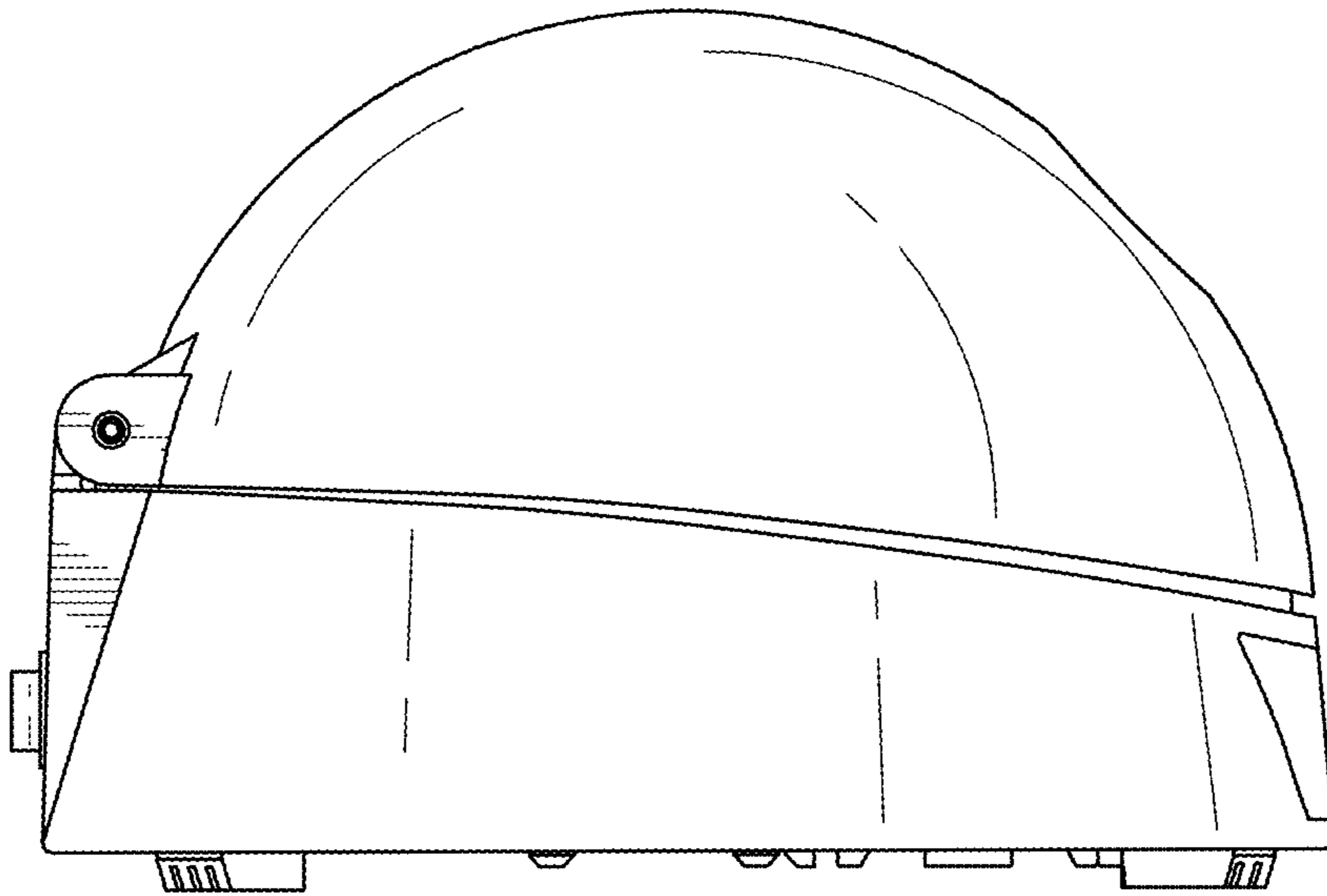


FIG. 6

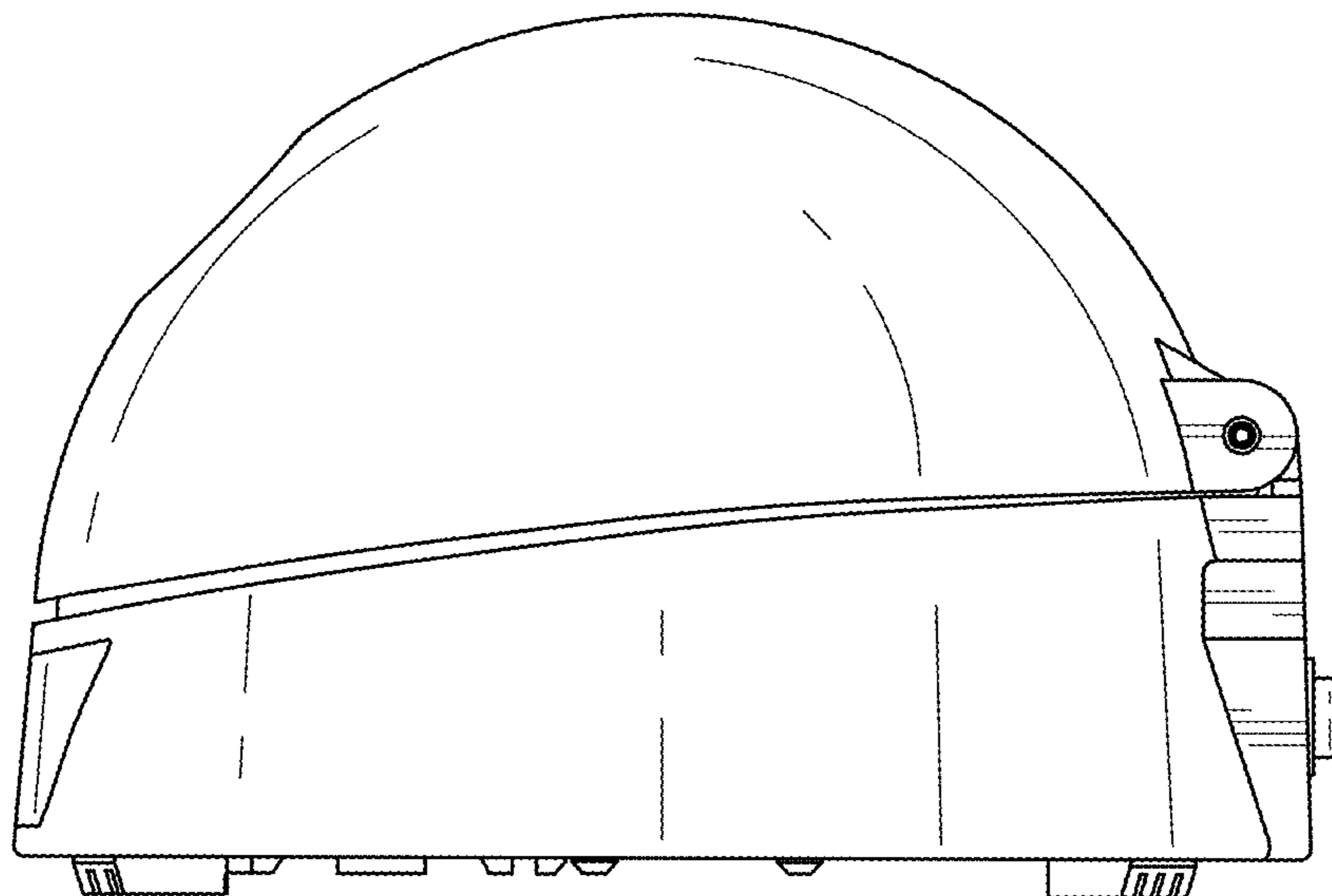


FIG. 7

FIG. 8

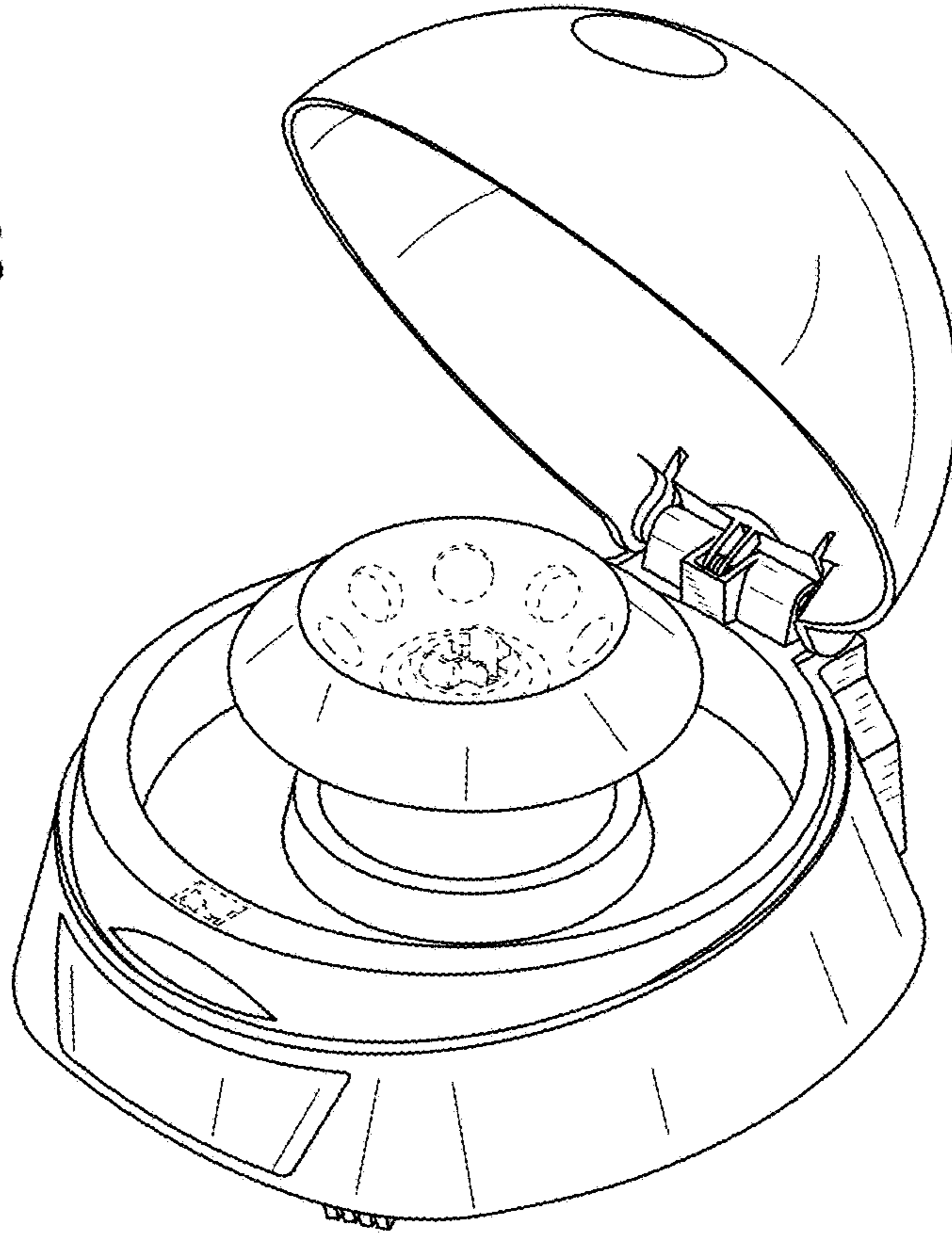


FIG. 9

