



US00D831837S

(12) **United States Design Patent** (10) **Patent No.:** **US D831,837 S**  
**Habib** (45) **Date of Patent:** **\*\* Oct. 23, 2018**

(54) **EYE THERMAL COMPRESS**  
(71) Applicant: **Ali Habib**, Edmonton (CA)  
(72) Inventor: **Ali Habib**, Edmonton (CA)  
(73) Assignee: **Ali Habib**, Edmonton (CA)  
(\*\*) Term: **15 Years**

8,617,229 B2 12/2013 Korb et al.  
D704,850 S \* 5/2014 Nishioka ..... D24/206  
D787,080 S \* 5/2017 Baltazar ..... D24/206  
(Continued)

(21) Appl. No.: **29/570,102**  
(22) Filed: **Jul. 5, 2016**

FOREIGN PATENT DOCUMENTS

CN 103961250 A 8/2014  
JP 20144226277 A 12/2014  
(Continued)

(30) **Foreign Application Priority Data**

May 2, 2016 (CA) ..... 168279

(51) **LOC (11) Cl.** ..... **24-04**  
(52) **U.S. Cl.**  
USPC ..... **D24/206**  
(58) **Field of Classification Search**  
USPC ..... D24/110.1, 110.2, 118, 120, 189-192,  
D24/206; D29/108; 607/109  
CPC ..... A61F 9/00; A61F 9/02; A61F 9/04; A61F  
9/026; A63B 33/002  
See application file for complete search history.

OTHER PUBLICATIONS

Benitez-Casitllo, JM. How to promote and preserve eyelid health.  
2012 Sep. 23, 2014. <[http://openi.nlm.nih.gov/detailedresult?img=3484726\\_o-ph-6-1689f3&req=4](http://openi.nlm.nih.gov/detailedresult?img=3484726_o-ph-6-1689f3&req=4)>.  
(Continued)

*Primary Examiner* — Wan Laymon  
*Assistant Examiner* — Clint A Samuel  
(74) *Attorney, Agent, or Firm* — Fitch, Even, Tabin &  
Flannery, LLP

(57) **CLAIM**

The ornamental design for an eye thermal compress, as shown and described.

**DESCRIPTION**

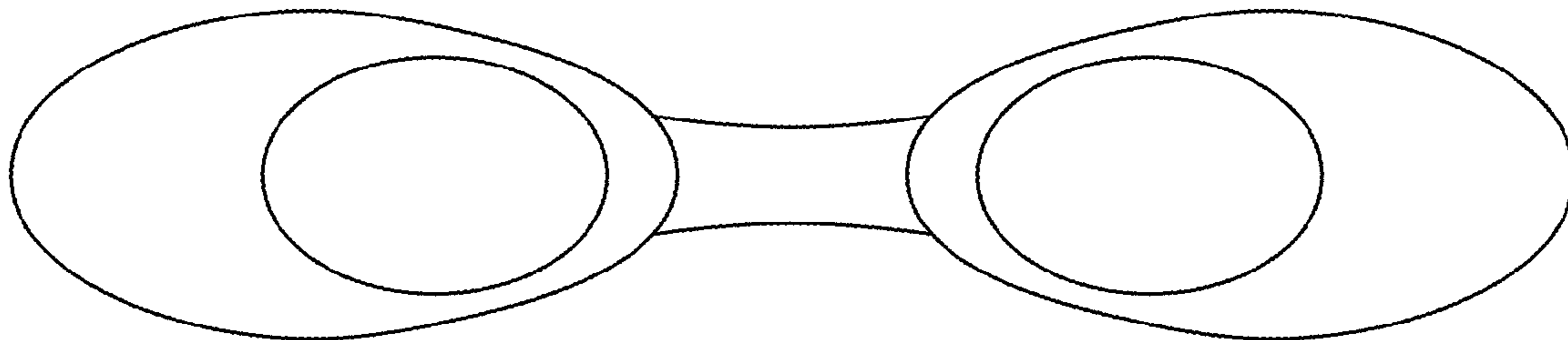
FIG. 1 is a front view of the eye thermal compress design; FIG. 2 is a bottom view of the design shown in FIG. 1; FIG. 3 is a back view of the design shown in FIG. 1; FIG. 4 is a top side view of the design shown in FIG. 1; FIG. 5 is a first side view of the design shown in FIG. 1; FIG. 6 is a second side view of the design shown in FIG. 1; FIG. 7 is a perspective view from back and one side of the design shown in FIG. 1; and, FIG. 8 is a perspective view from the front and one side of the design shown in FIG. 1. The portions of the eye thermal compress shown in broken lines form no part of the claimed design.

(56) **References Cited**

U.S. PATENT DOCUMENTS

3,768,485 A \* 10/1973 Linick ..... A61F 7/103  
607/109  
4,261,364 A 4/1981 Haddad et al.  
4,727,869 A \* 3/1988 Leonardi ..... A61F 13/124  
602/74  
7,976,573 B2 7/2011 Korb et al.  
7,981,146 B2 7/2011 Korb et al.  
7,981,147 B2 7/2011 Korb et al.  
8,128,673 B2 3/2012 Korb et al.  
8,128,674 B2 3/2012 Korb et al.  
8,523,928 B2 9/2013 Korb et al.

**1 Claim, 5 Drawing Sheets**



(56)

**References Cited**

U.S. PATENT DOCUMENTS

2014/0142667 A1 5/2014 Biser et al.  
2015/0012074 A1 1/2015 Devine  
2016/0000600 A1 1/2016 Lee

FOREIGN PATENT DOCUMENTS

KR 101248699 B1 4/2013  
KR 101354901 B1 1/2014  
WO 2013073840 A1 5/2013  
WO 2015006115 A1 1/2015

OTHER PUBLICATIONS

Eyeeco Thermoeyes Instant for Original Tranquileyes. 2014. Sep. 23, 2014. <[http://www.eyeco.com/product/product\\_id/310/thermoeyes\\_instatn\\_original.html](http://www.eyeco.com/product/product_id/310/thermoeyes_instatn_original.html)>.

Kim Dae-Woo, Yoo Eun Seok, Kwon Young-Ah, Song Sang-Ryul, N.D.-. A Study on the Clinical Usefulness of a Warm Eye Massage Therapy Device for Patients Suffering from Dry Eye Syndrome Accompanied by Meibomian Gland Dysfunction. Seoul, 2012.

Matossian Eye Associates. Products. 2013. Sep. 23, 2014. <<http://www.matossianeye.com/doylestown/products.htm>>.

Carepeutic KH277. Rechargeable Warm Steam Eye Reflexology Massager.

Digital Heat Corporation. Heated Eye Pad <http://www.heatedeyepad.com/>.

\* cited by examiner

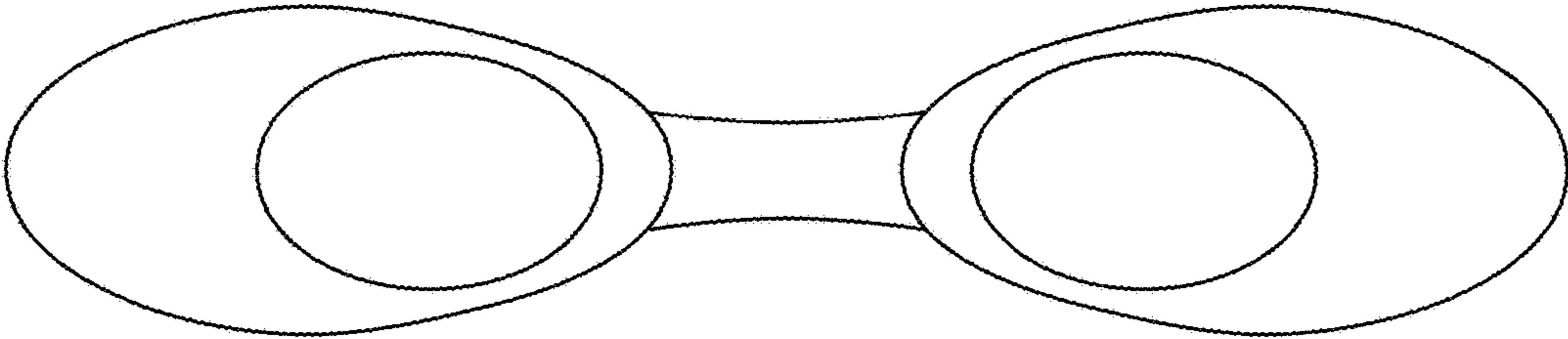


Figure 1

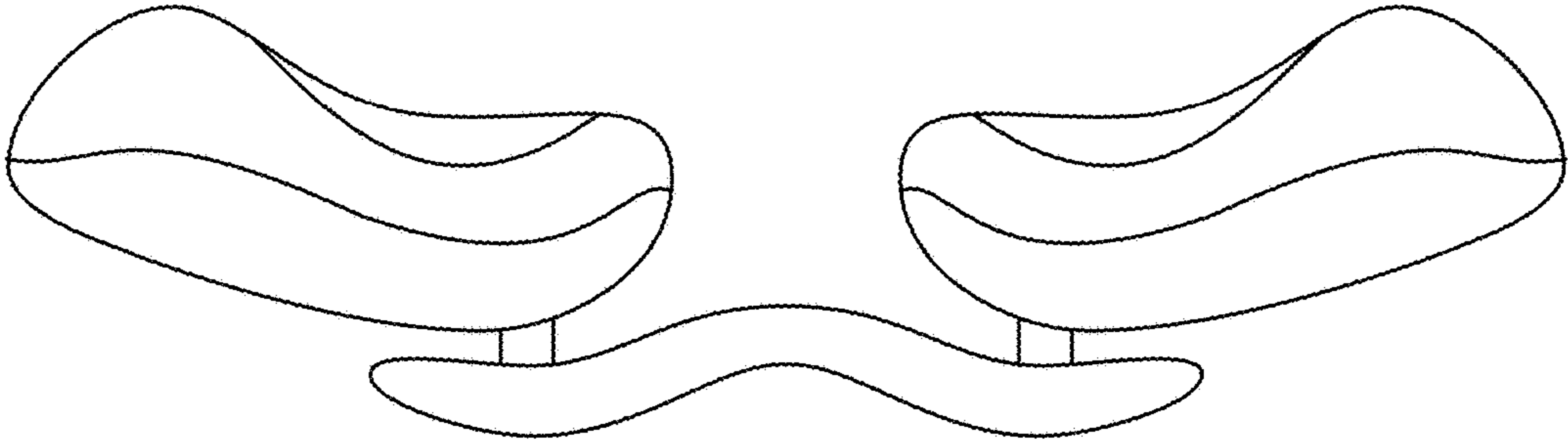


Figure 2

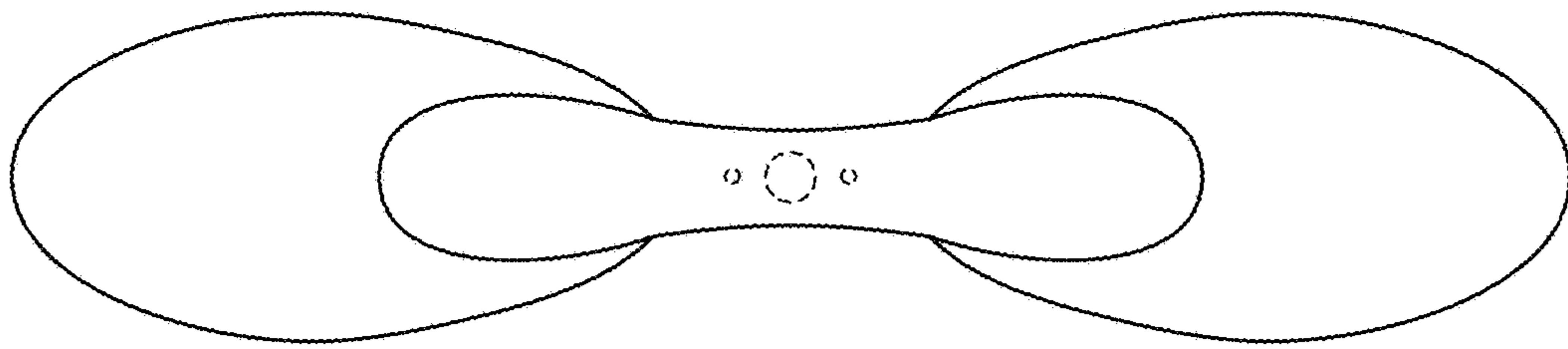


Figure 3

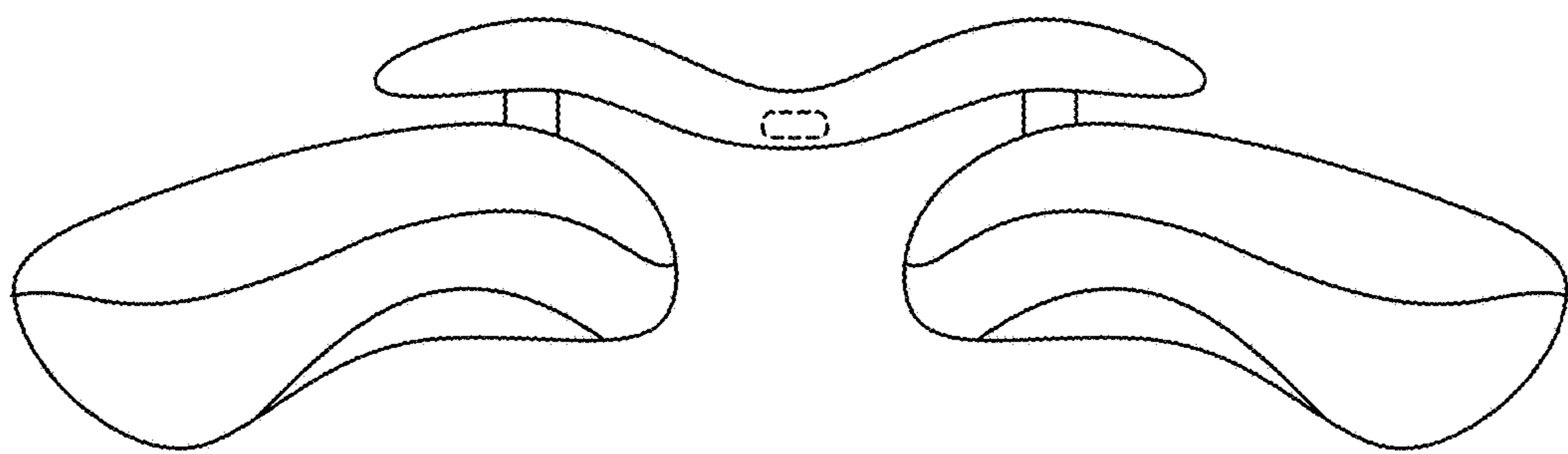


Figure 4

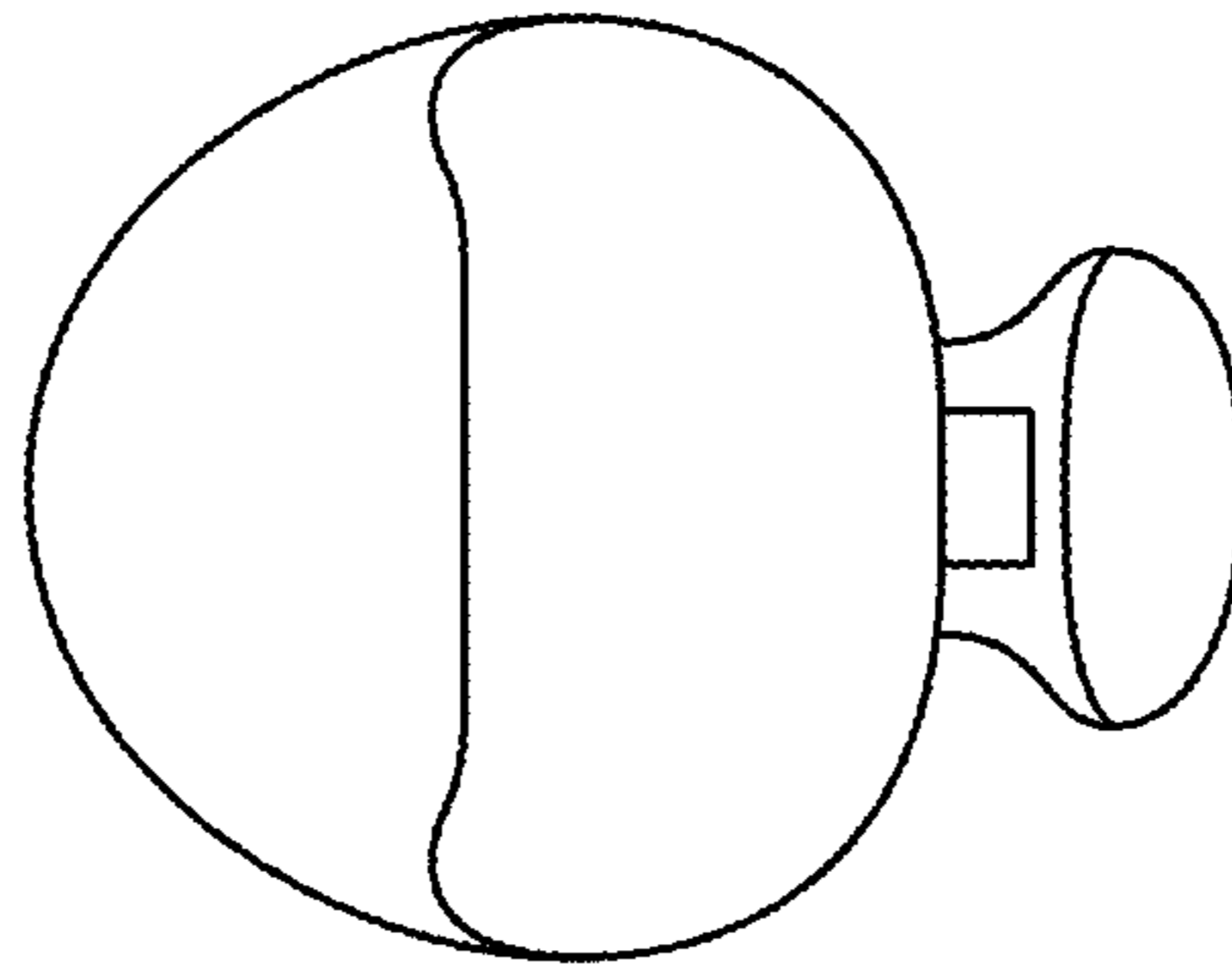


Figure 5

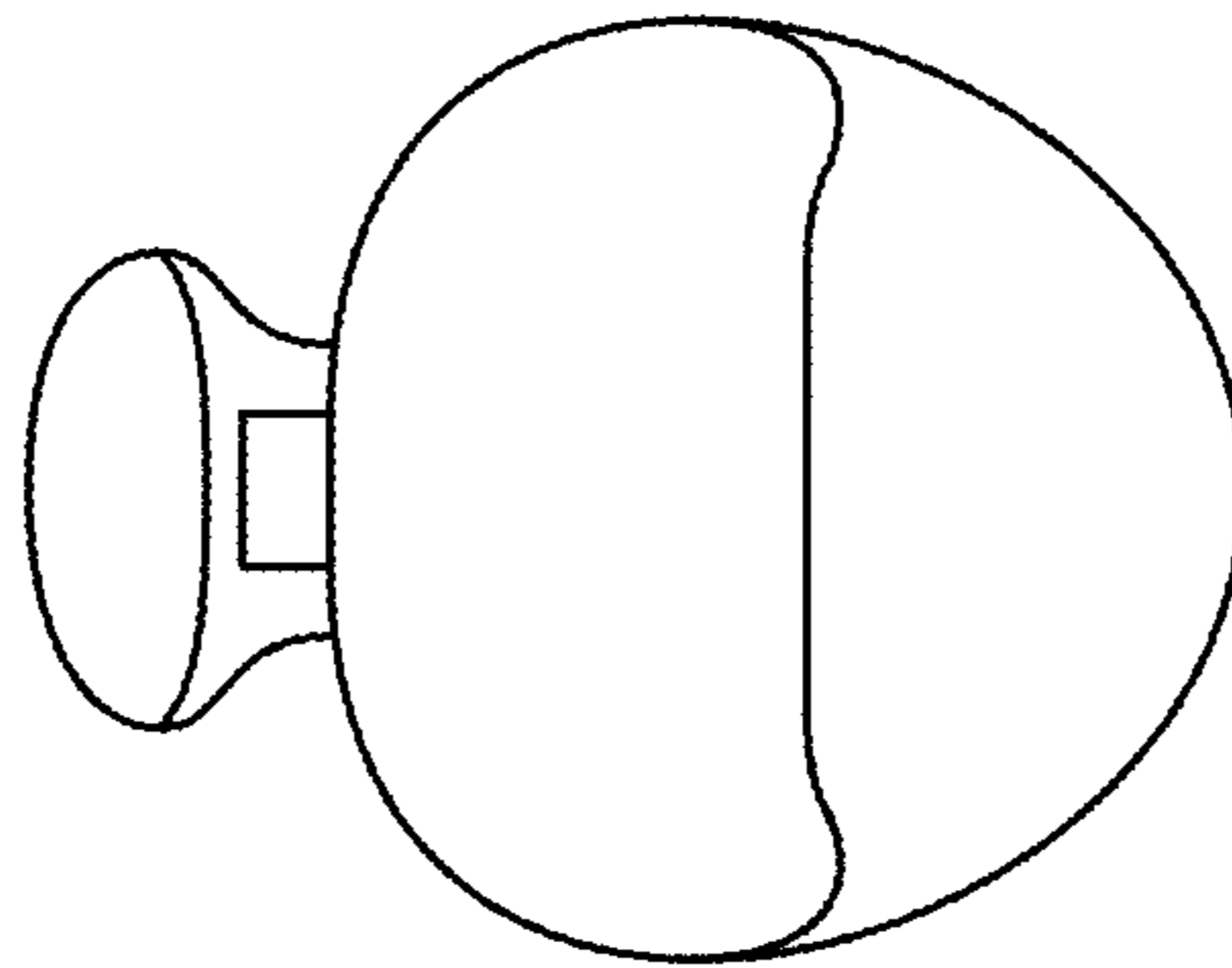


Figure 6

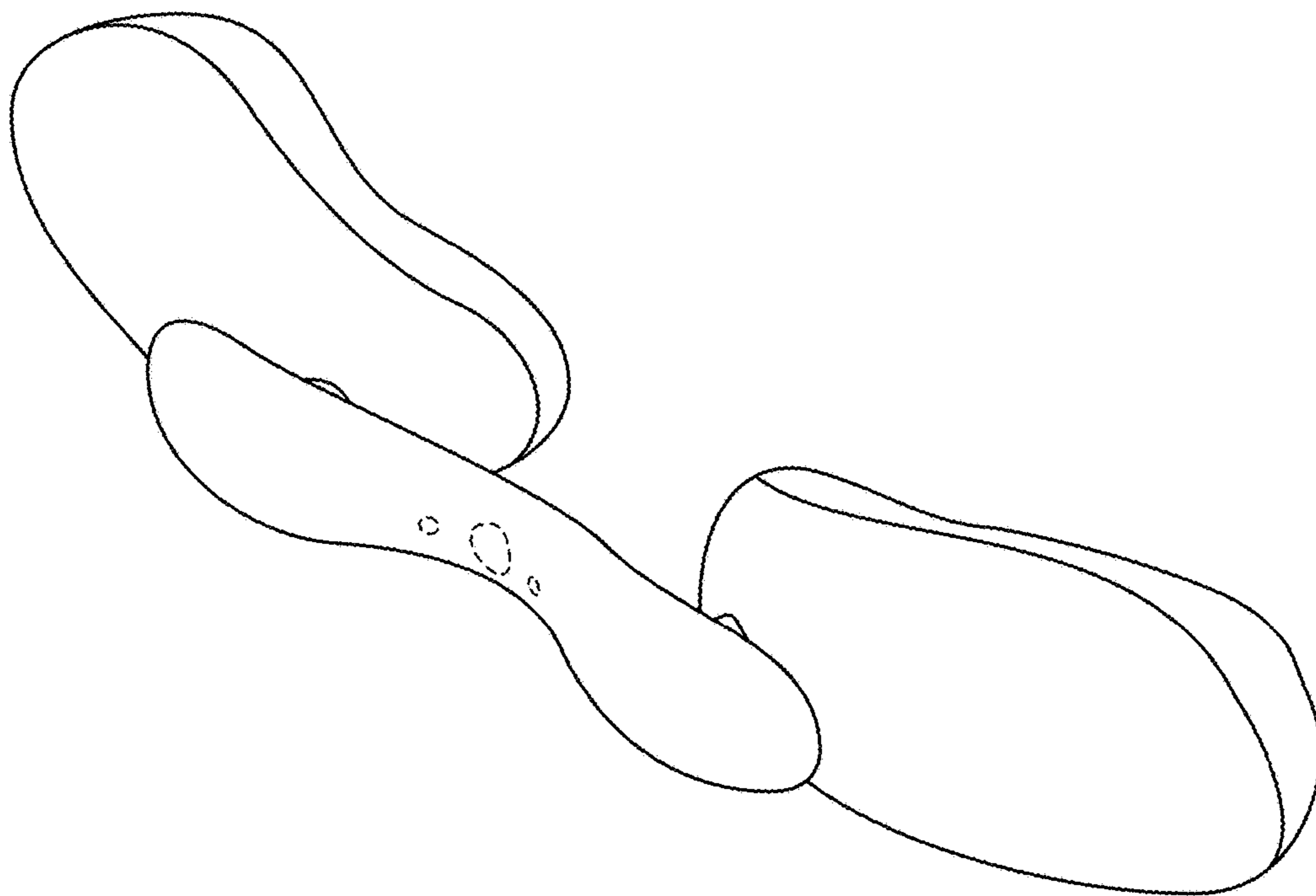


Figure 7

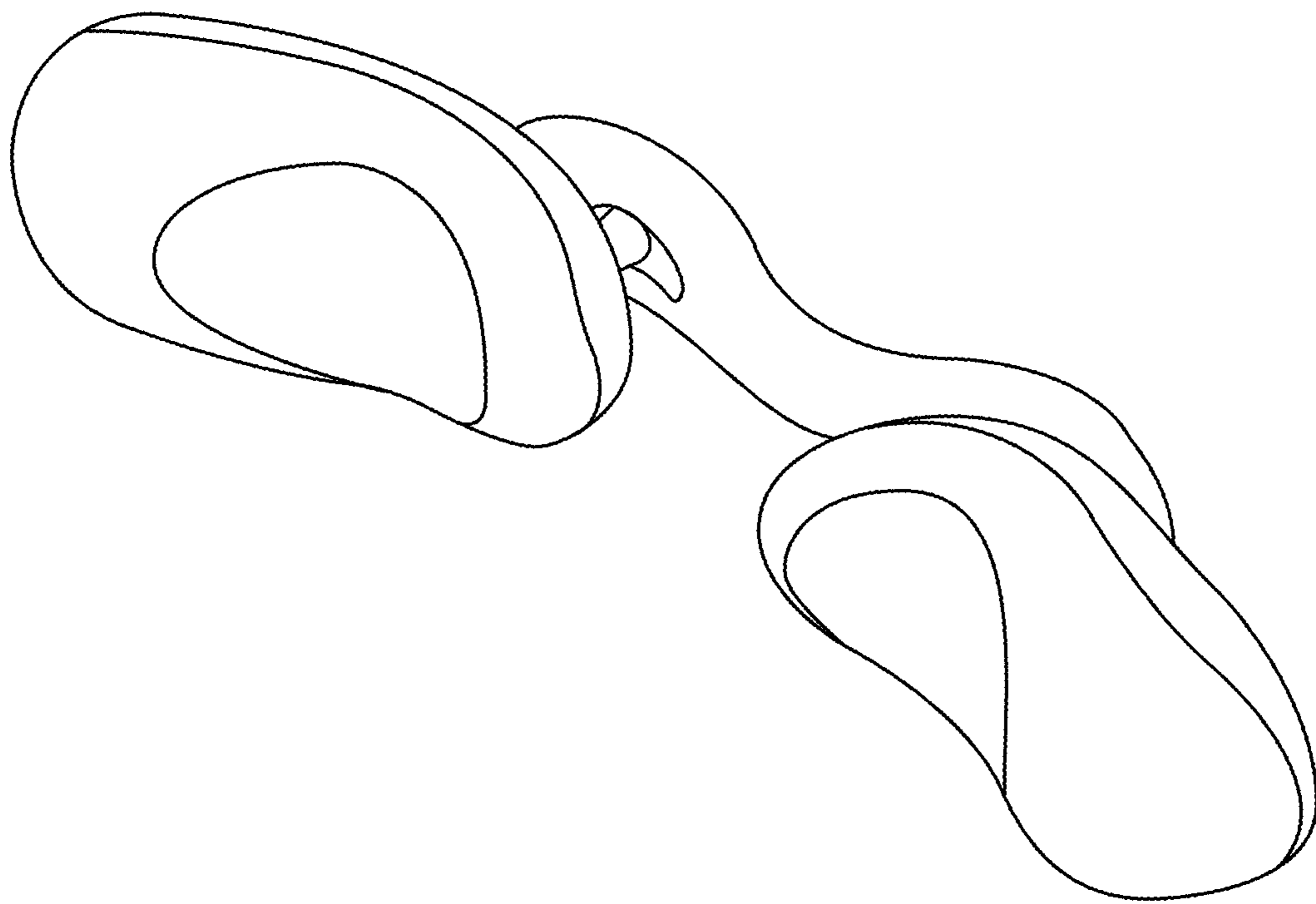


Figure 8