



US00D831834S

(12) **United States Design Patent** (10) **Patent No.:** **US D831,834 S**  
**Bader** (45) **Date of Patent:** **\*\* Oct. 23, 2018**

(54) **ULTRASONIC PROBE**  
(71) Applicant: **SONOTEC**  
**ULTRASCHALLSENSORIK HALLE**  
**GMBH, Halle (DE)**  
(72) Inventor: **Nicki Bader, Halle (DE)**  
(73) Assignee: **SONOTEC Ultraschallsensorik Halle**  
**GmbH, Halle (DE)**

D619,266 S \* 7/2010 Sakai ..... D24/186  
D670,810 S \* 11/2012 Fukuzawa ..... D24/169  
D694,141 S \* 11/2013 Lienenkamp ..... D10/101  
D703,332 S \* 4/2014 Saeki ..... D24/187  
D704,341 S \* 5/2014 Ryu ..... D24/187  
D705,684 S \* 5/2014 Takahashi ..... D10/98  
D740,144 S \* 10/2015 Lamer ..... D10/78  
9,197,331 B2 \* 11/2015 Nishiwaki ..... H04B 11/00  
D750,520 S \* 3/2016 Yuasa ..... D10/98  
D763,452 S \* 8/2016 Ryu ..... D24/187  
D782,051 S \* 3/2017 Ryu ..... D24/186  
D788,613 S \* 6/2017 Piras ..... D10/78  
9,730,710 B2 \* 8/2017 Yoshimine ..... A61B 17/1684

(\*\*) Term: **15 Years**

\* cited by examiner

(21) Appl. No.: **35/502,043**

*Primary Examiner* — George D. Kirschbaum

(22) Filed: **Jun. 6, 2016**

(74) *Attorney, Agent, or Firm* — Olson & Cepuritis, Ltd.

(80) **Hague Agreement Data**

Int. Filing Date: **Jun. 6, 2016**  
Int. Reg. No.: **DM/091972**  
Int. Reg. Date: **Jun. 6, 2016**  
Int. Reg. Pub. Date: **Dec. 9, 2016**

(57) **CLAIM**

The ornamental design for an ultrasonic probe, as shown and described.

(30) **Foreign Application Priority Data**

Dec. 4, 2015 (EM) ..... 002890368-0001/00

**DESCRIPTION**

(51) **LOC (11) Cl.** ..... **24-02**  
(52) **U.S. Cl.**  
USPC ..... **D24/187**  
(58) **Field of Classification Search**  
USPC ..... D10/78, 101, 69, 98; D24/169, 186, 187  
CPC ..... H04B 11/00; A61B 17/1684  
See application file for complete search history.

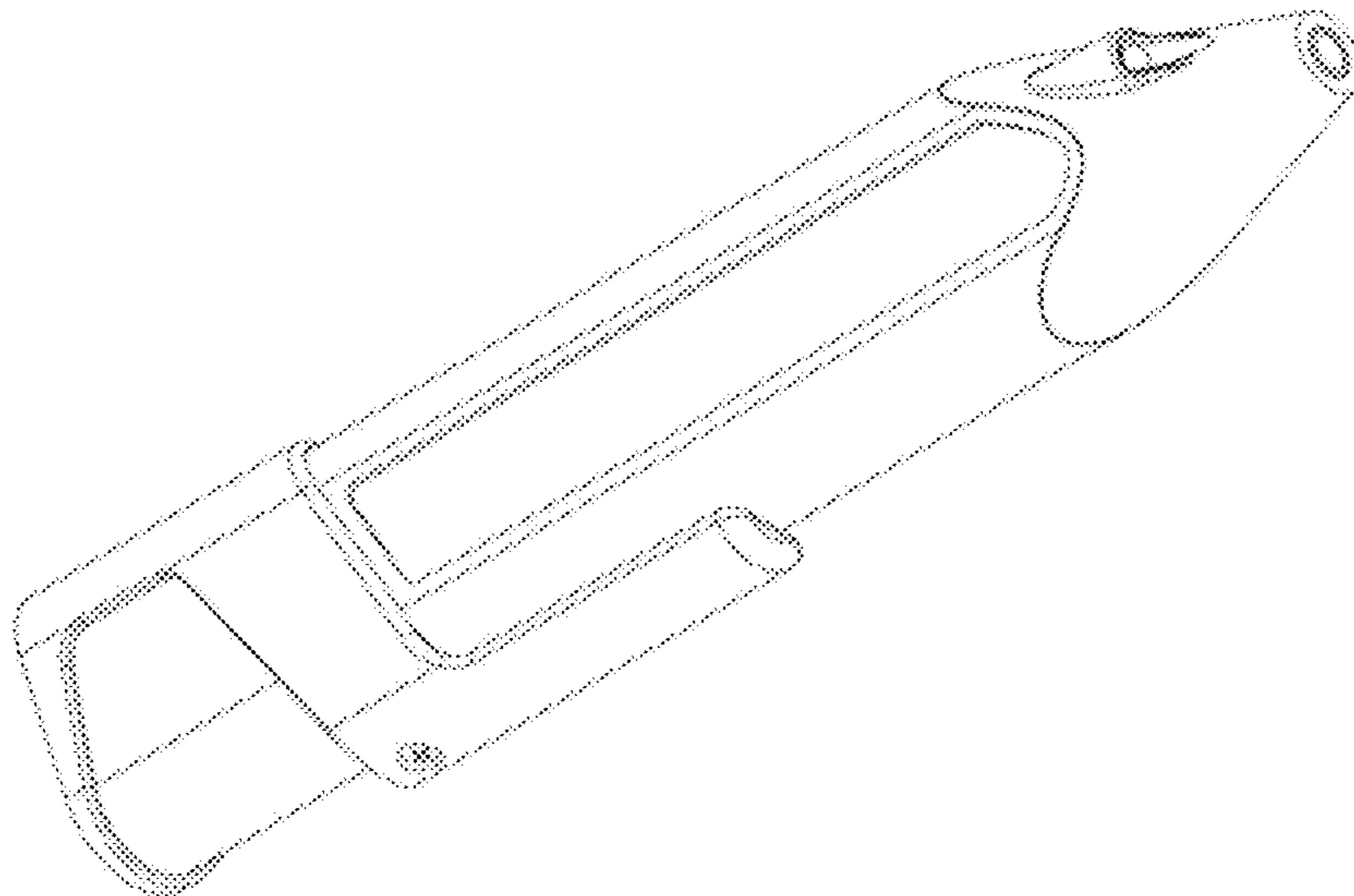
Fig. 2.1 shows a front, bottom and right side perspective view of my design for an ultrasonic probe;  
Fig. 2.2 shows a left side view thereof;  
Fig. 2.3 shows a bottom view thereof;  
Fig. 2.4 shows an enlarged back view thereof;  
Fig. 2.5 shows an enlarged front view thereof;  
Fig. 2.6 shows a top view thereof; and  
Fig. 2.7 shows a right side view thereof.

(56) **References Cited**

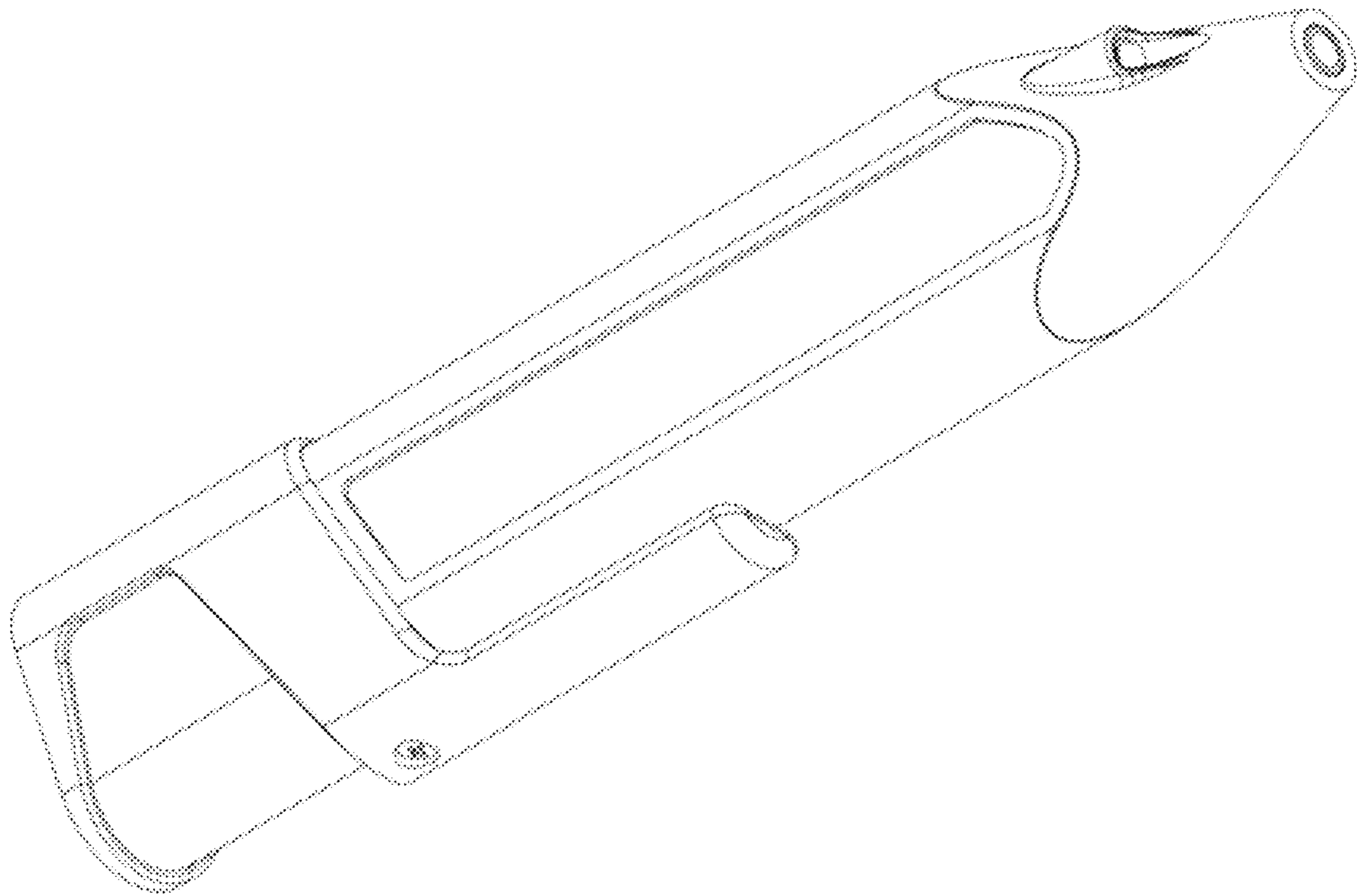
**U.S. PATENT DOCUMENTS**

D389,918 S \* 1/1998 Ninomiya ..... D24/186  
D590,281 S \* 4/2009 Kiesel ..... D10/69

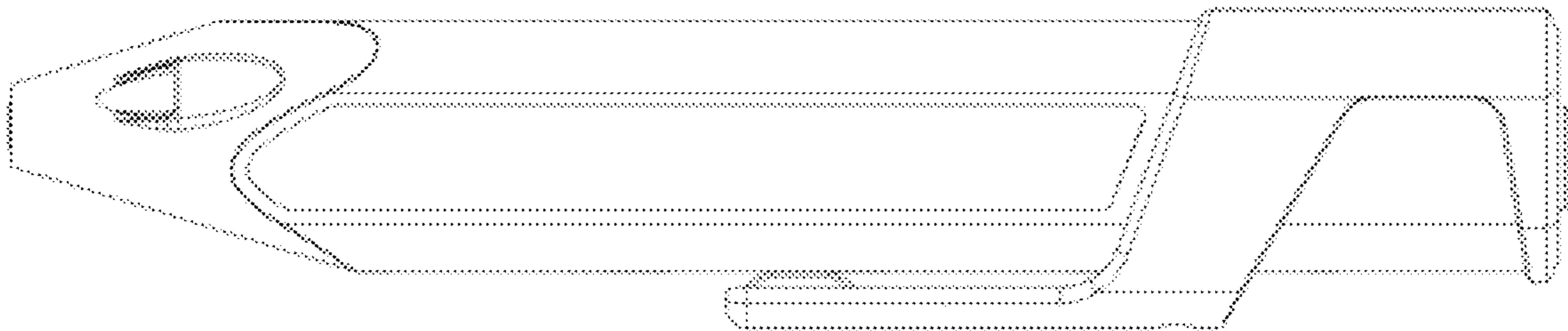
**1 Claim, 7 Drawing Sheets**



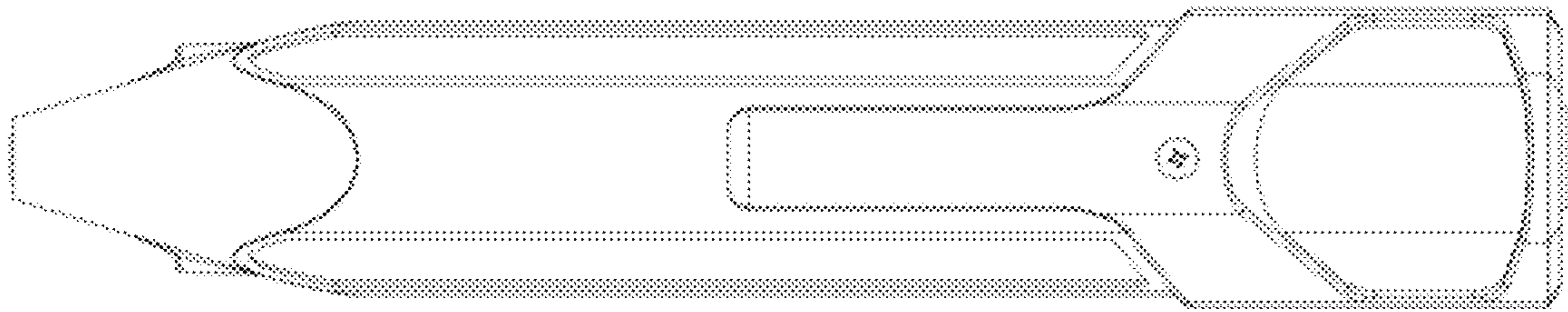
2.1



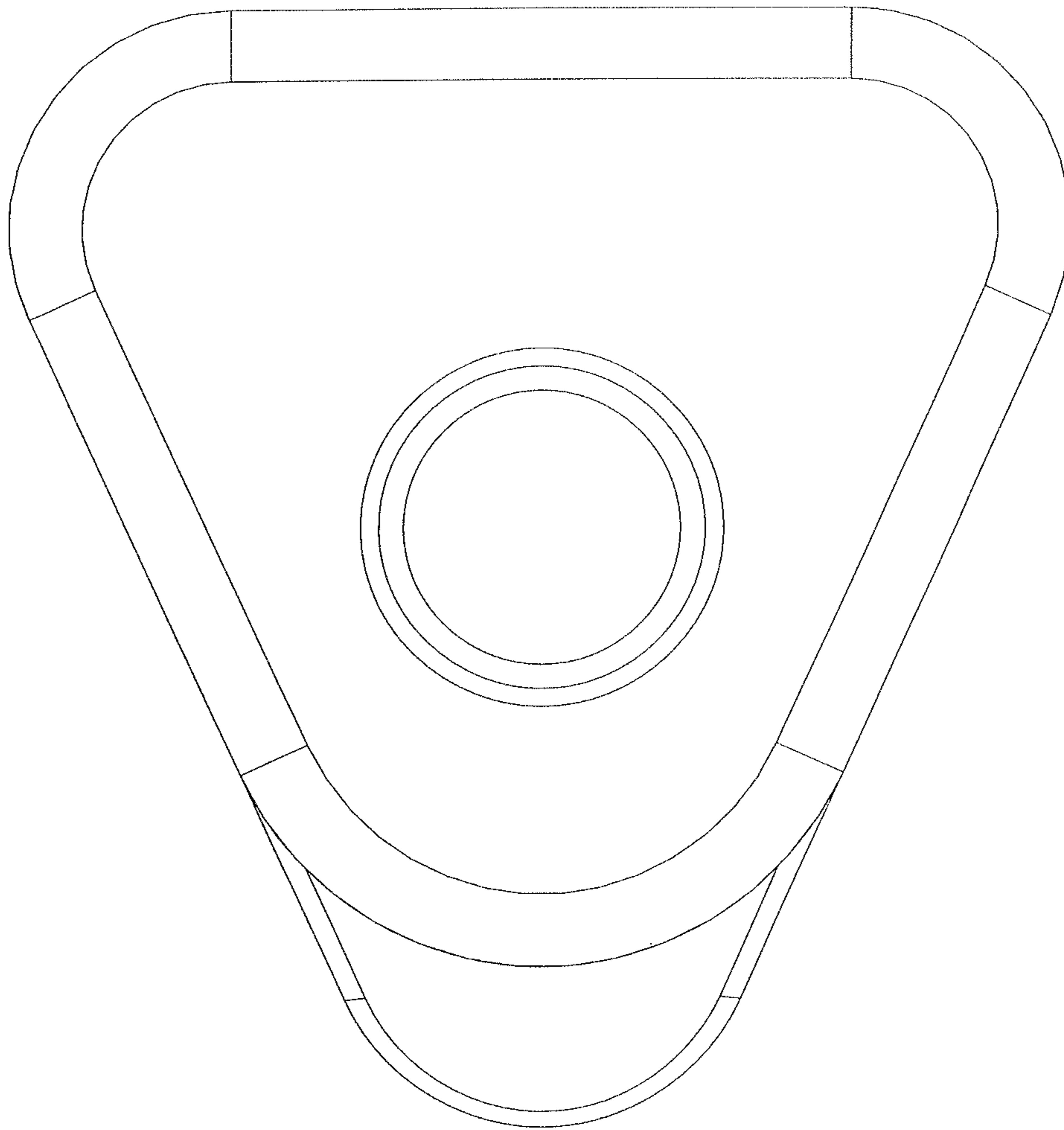
2.2



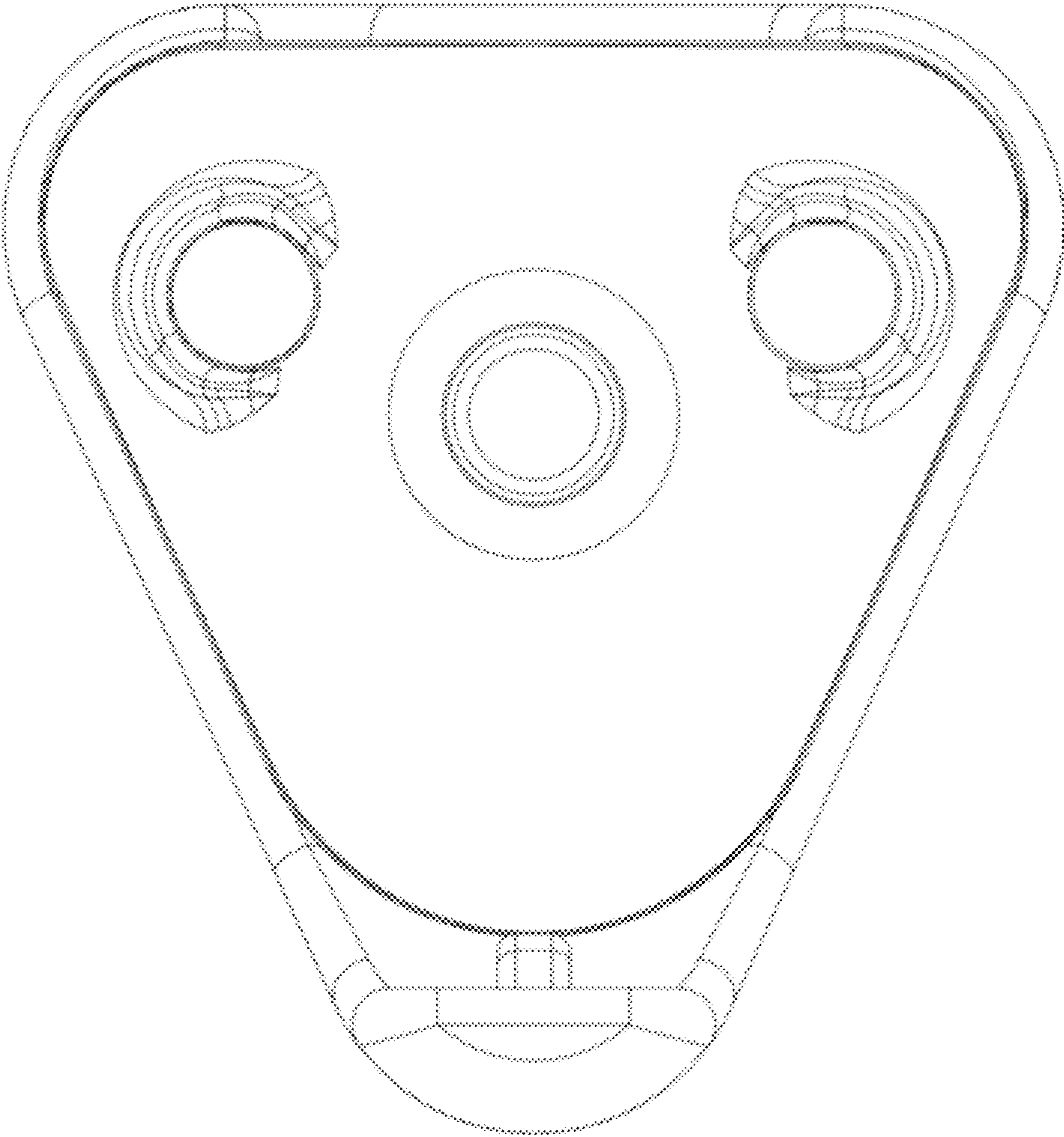
2.3



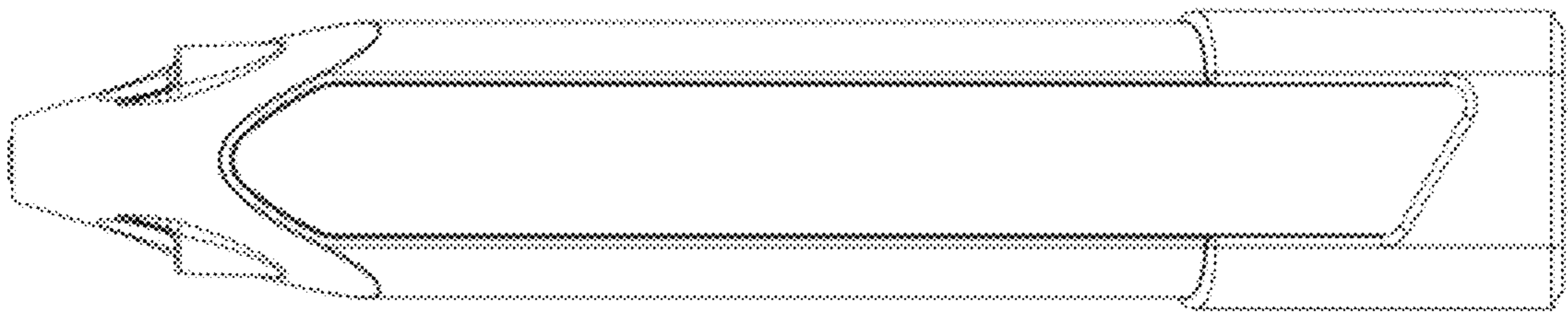
2.4



2.5



**2.6**



2.7

