



US00D831829S

(12) **United States Design Patent** (10) **Patent No.:** **US D831,829 S**
LeBeau (45) **Date of Patent:** **** Oct. 23, 2018**

(54) **DENTAL IMPLANT REUSABLE BITE REGISTRATION POST**
 (71) Applicant: **Dene S. LeBeau**, Renton, WA (US)
 (72) Inventor: **Dene S. LeBeau**, Renton, WA (US)
 (**) Term: **15 Years**
 (21) Appl. No.: **29/617,793**
 (22) Filed: **Sep. 15, 2017**

D743,033 S 11/2015 Fisler et al.
 D749,737 S 2/2016 Buddemeyer
 D765,862 S 9/2016 Schendel
 D800,308 S * 10/2017 LeBeau D24/156
 9,801,533 B2 * 10/2017 Amber A61B 1/24
 D808,016 S * 1/2018 Kim D24/156
 2002/0127517 A1 9/2002 Morgan
 2003/0235805 A1 * 12/2003 Lax A61C 8/0075
 433/220
 2004/0121288 A1 6/2004 Morgan
 2006/0084033 A1 4/2006 Gittleman
 2008/0280253 A1 11/2008 Augthun et al.
 2009/0246733 A1 * 10/2009 Auderset A61C 8/005
 433/173
 2010/0196855 A1 8/2010 Muller et al.
 2010/0248180 A1 9/2010 Bondar
 2012/0052463 A1 3/2012 Pollet
 2012/0202169 A1 8/2012 Ryu et al.
 2013/0157217 A1 6/2013 LeBeau
 2014/0248586 A1 9/2014 Serhan
 2015/0250569 A1 9/2015 Frick et al.

Related U.S. Application Data

(60) Division of application No. 29/519,724, filed on Mar. 6, 2015, now Pat. No. Des. 800,308, which is a continuation of application No. 13/715,474, filed on Dec. 14, 2012.
 (51) **LOC (11) Cl.** **24-02**
 (52) **U.S. Cl.**
 USPC **D24/156**
 (58) **Field of Classification Search**
 USPC D24/155, 156
 See application file for complete search history.

* cited by examiner

Primary Examiner — Charles D Hanson
 (74) *Attorney, Agent, or Firm* — Christensen O'Connor Johnson Kindness PLLC

(56) **References Cited**

U.S. PATENT DOCUMENTS

4,622,011 A 11/1986 Malek
 4,856,994 A 8/1989 Lazzara et al.
 5,094,620 A 3/1992 Nordin
 5,947,736 A 9/1999 Behrend
 6,332,777 B1 12/2001 Sutter
 D652,929 S 1/2012 Sibhatu et al.
 D666,298 S 8/2012 Sibhatu et al.
 D667,955 S 9/2012 Spahn
 D729,387 S 5/2015 Sicurelli et al.
 D730,523 S 5/2015 Sicurelli
 D732,668 S 6/2015 Fisler et al.
 D732,669 S 6/2015 Fisler et al.
 D736,386 S 8/2015 Sicurelli et al.

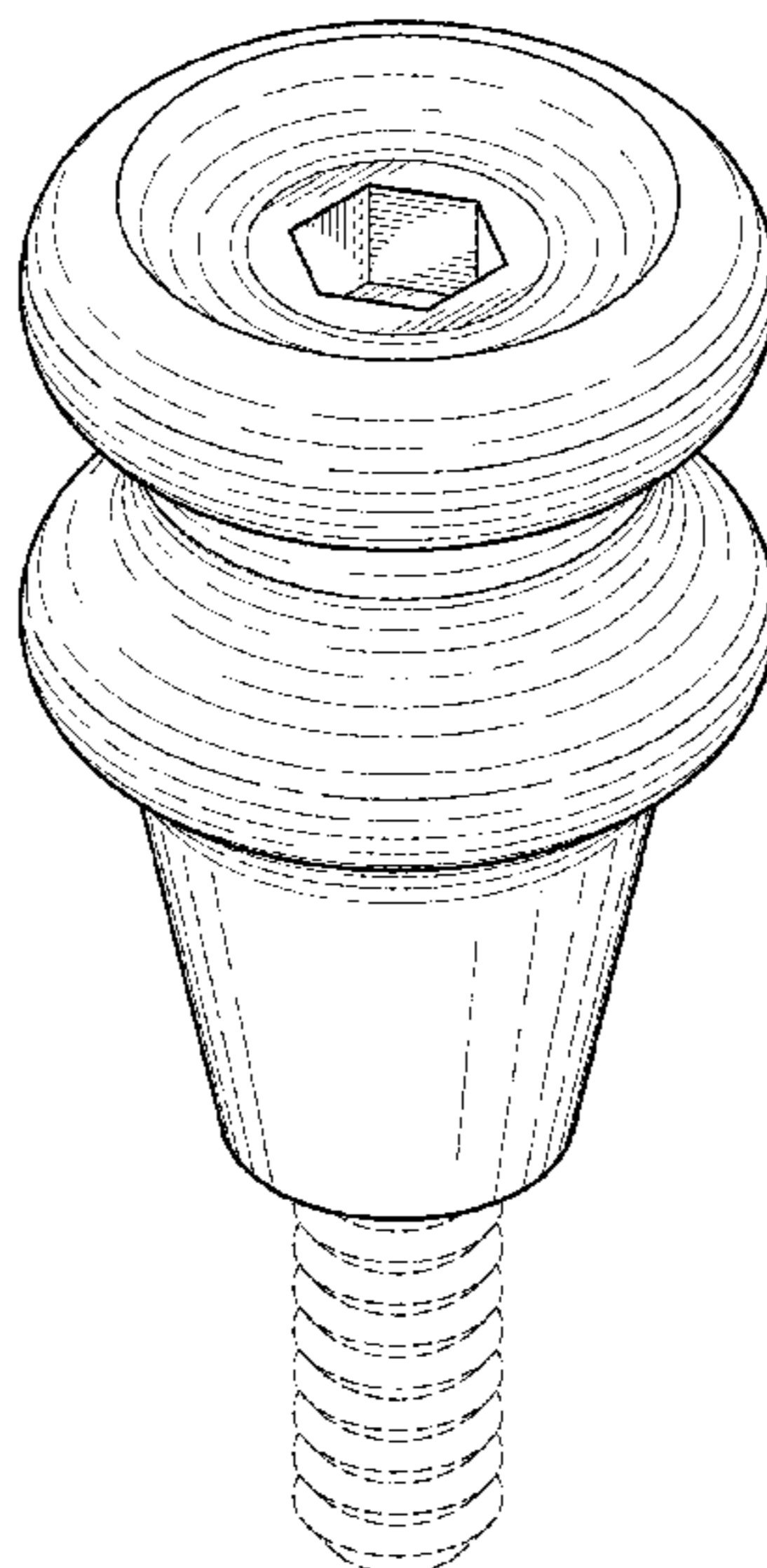
(57) **CLAIM**

The ornamental design for a dental implant reusable bite registration post, as shown and described.

DESCRIPTION

FIG. 1 is a perspective view of the dental implant reusable bite registration post design;
 FIG. 2 is an elevational view of FIG. 1;
 FIG. 3 is a top view of FIG. 1; and,
 FIG. 4 is a bottom view of FIG. 1.
 Portions of FIGS. 1, 2, and 4 are shown in broken lines for reference purposes, and do not consist of portions of the present design.

1 Claim, 3 Drawing Sheets



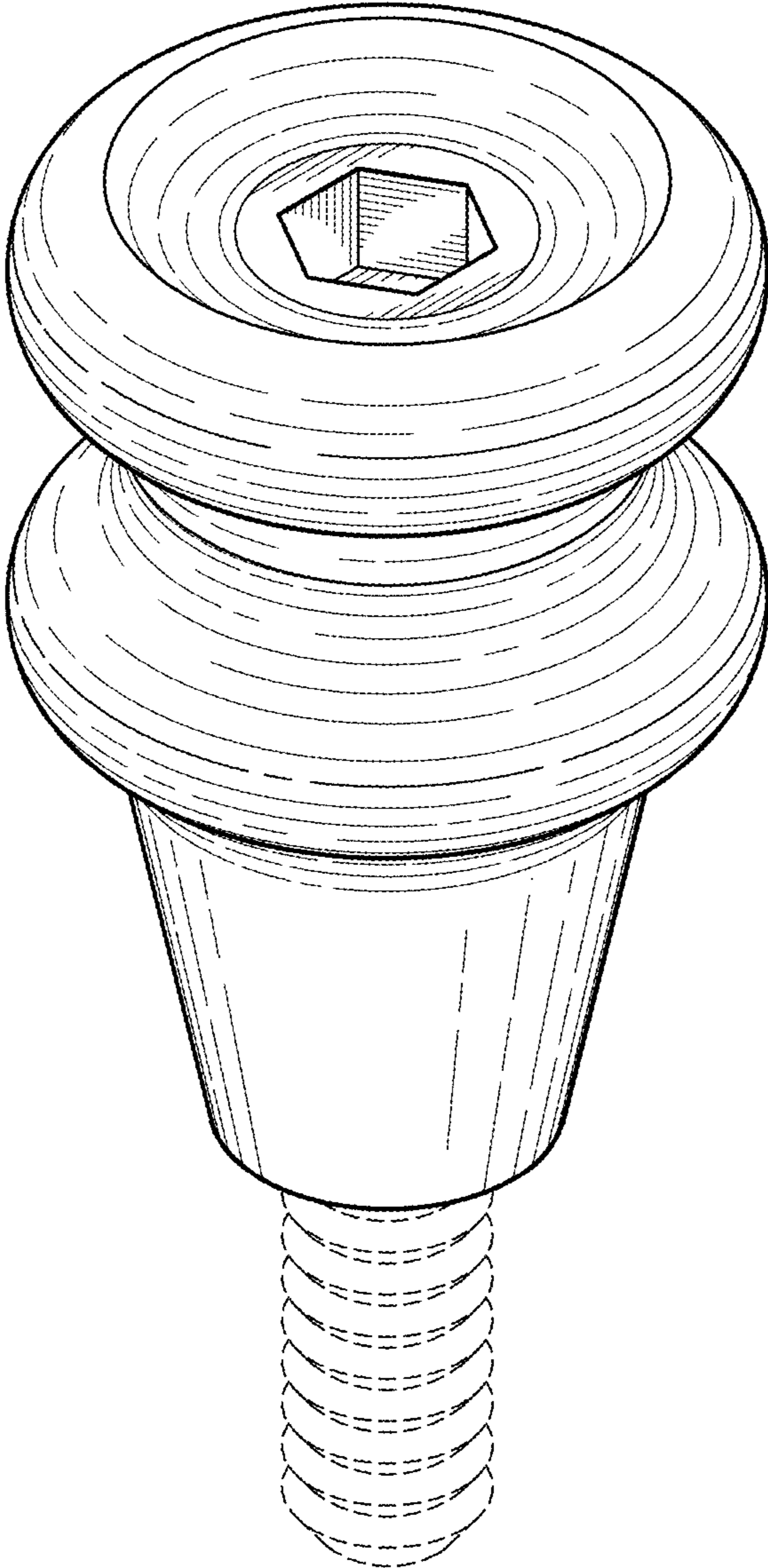


Fig. 1.

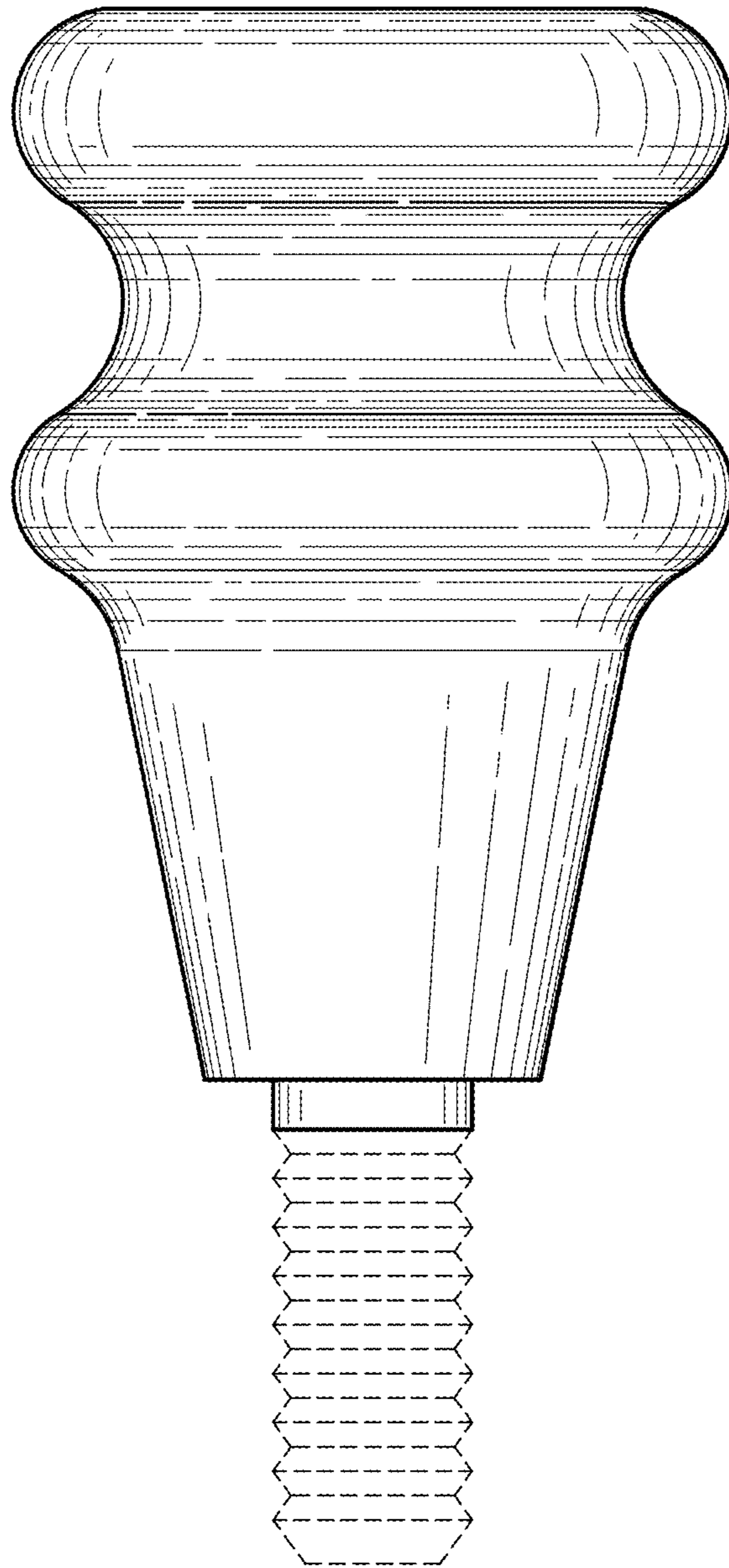


Fig. 2.

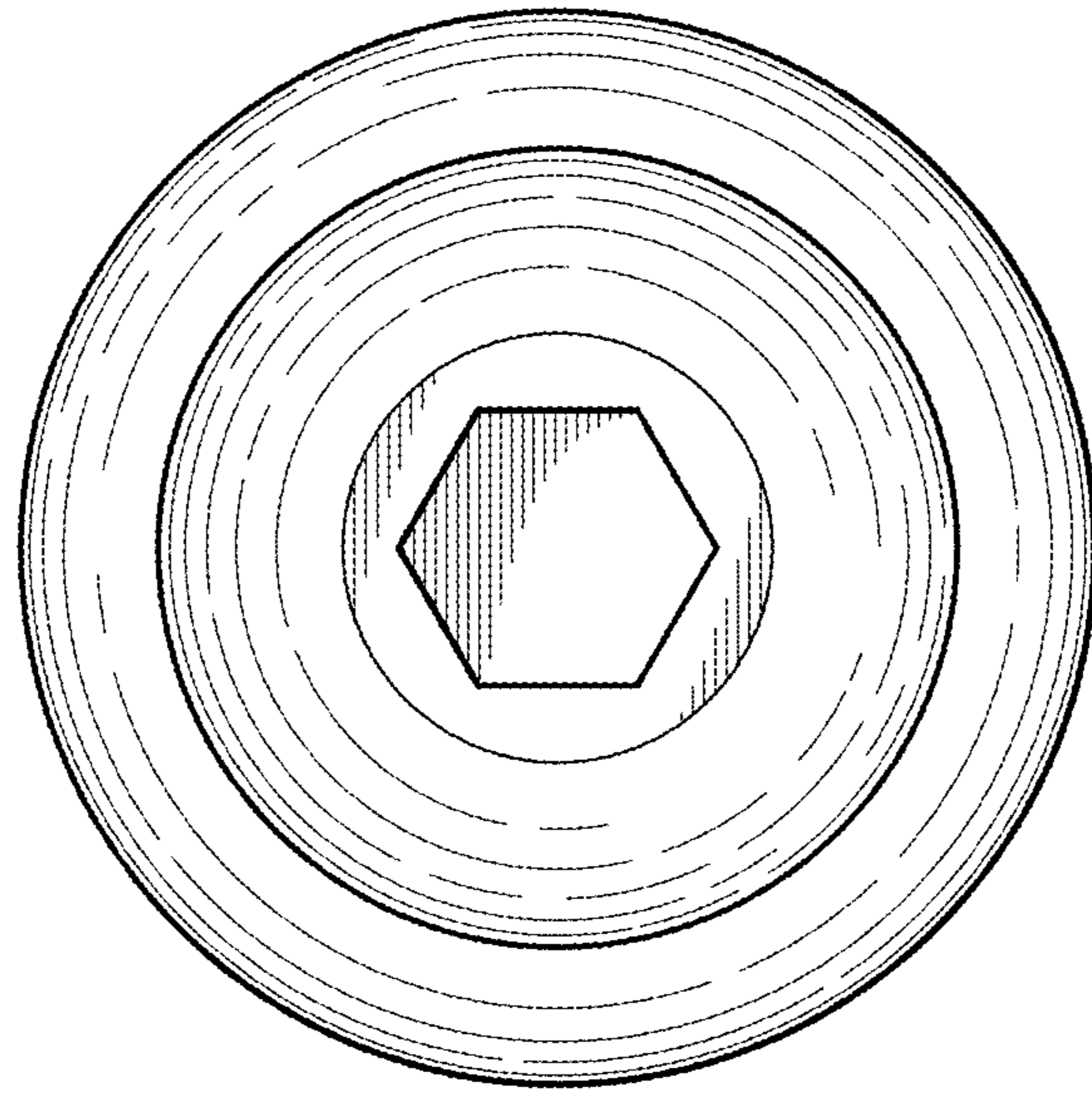


Fig. 3.

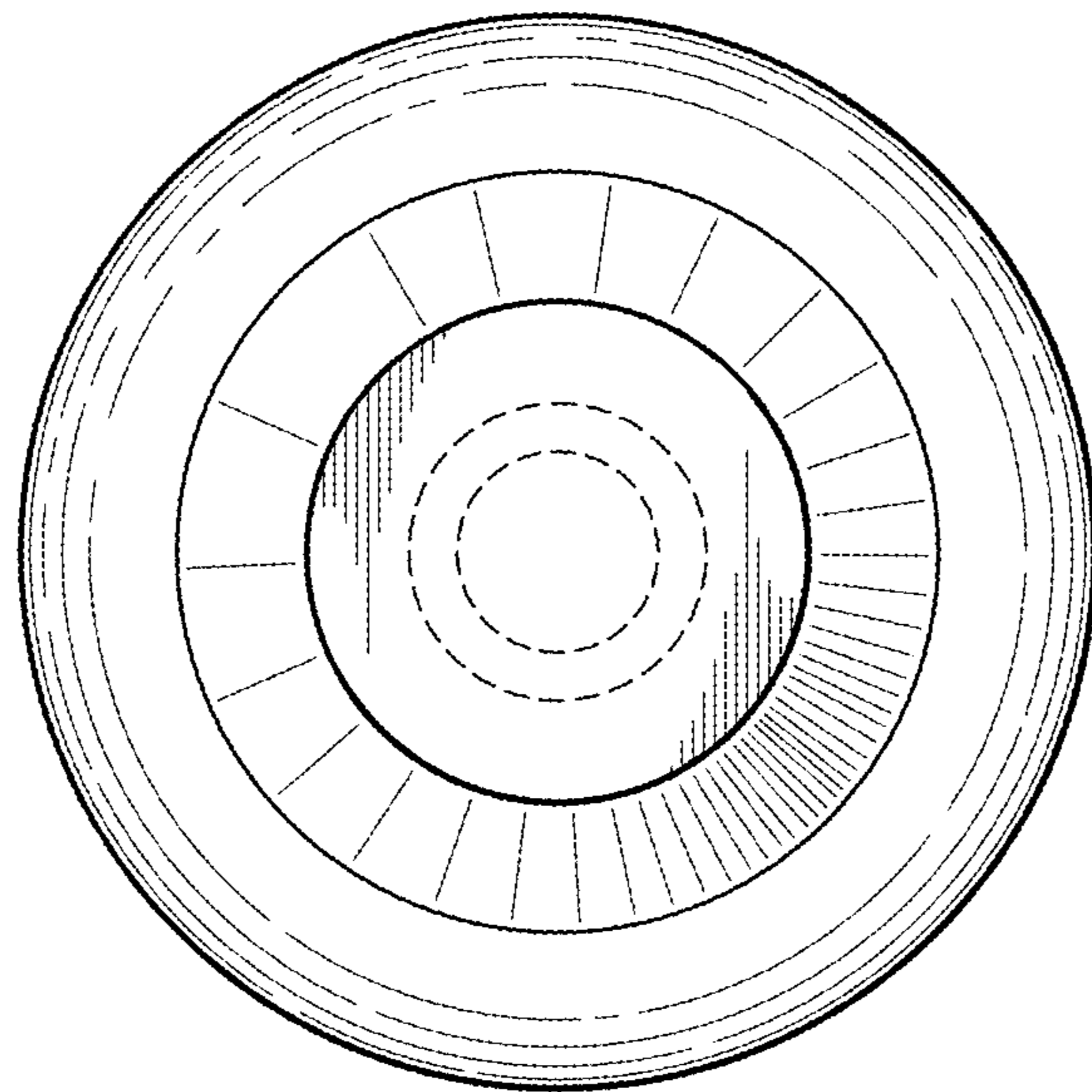


Fig. 4.