

US00D831826S

(12) **United States Design Patent** (10) **Patent No.:** **US D831,826 S**
Swoish et al. (45) **Date of Patent:** **** Oct. 23, 2018**

(54) **SURGICAL BLADE LOADER**

FOREIGN PATENT DOCUMENTS

(71) Applicant: **Aspen Surgical Products, Inc.**,
Caledonia, MI (US)

CA 2800645 A1 * 1/2012 A61B 17/3213
EP 2915495 A1 * 9/2015 A61B 17/3213

(Continued)

(72) Inventors: **Murray Swoish**, Batesville, IN (US);
Alexander Boelkins, Grand Rapids, MI
(US)

OTHER PUBLICATIONS

(73) Assignee: **Aspen Surgical Products, Inc.**,
Caledonia, MI (US)

Youtube. <URL: <http://www.youtube.com/watch?v=7ZD3j15ZtAY>>
Mar. 12, 2015. Aspen Surgical | Bard-Parker® Safety Blade Sys-
tem.*

(**) Term: **15 Years**

Primary Examiner — Thomas Johannes

Assistant Examiner — Lauren McVey

(21) Appl. No.: **29/616,243**

(74) *Attorney, Agent, or Firm* — Price Heneveld LLP

(22) Filed: **Sep. 5, 2017**

(57) **CLAIM**

(51) **LOC (11) Cl.** **24-02**

The ornamental design for a surgical blade loader, as shown
and described.

(52) **U.S. Cl.**

USPC **D24/147**

DESCRIPTION

(58) **Field of Classification Search**

USPC D24/133, 135, 137, 138, 171, 140, 141,
D24/144, 145, 146, 147

CPC A61B 17/3211; A61B 17/32113; A61B
17/32116; A61B 17/3213; A61B 17/3215

See application file for complete search history.

FIG. 1 is a front perspective view of a surgical blade loader,
showing our new design;

FIG. 2 is a front elevation view thereof;

FIG. 3 is a rear elevation view thereof;

FIG. 4 is a right side elevation view thereof;

FIG. 5 is a left side elevation view thereof;

FIG. 6 is a top plan view thereof;

FIG. 7 is a bottom plan view thereof; and,

FIG. 8 is a rear perspective view thereof.

The broken lines immediately adjacent the shaded areas
represent the bounds of the claimed design while all other
broken lines are directed to environment and are for illus-
trative purposes only; the broken lines form no part of the
claimed design. In addition, the unshaded surfaces that
directly adjoin the claimed solid line edges form no part of
the claimed design.

The “Bard-Parker” lettering and icon forming part of the
disclosure are registered trademarks of ASPEN SURGICAL
PRODUCTS, INC.

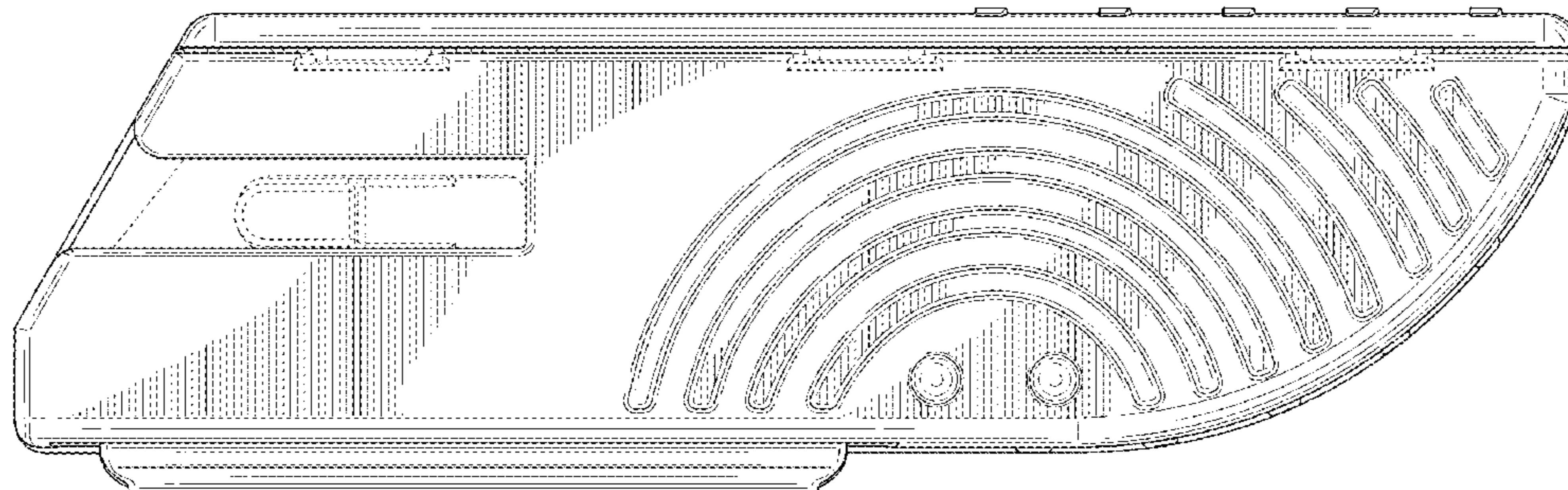
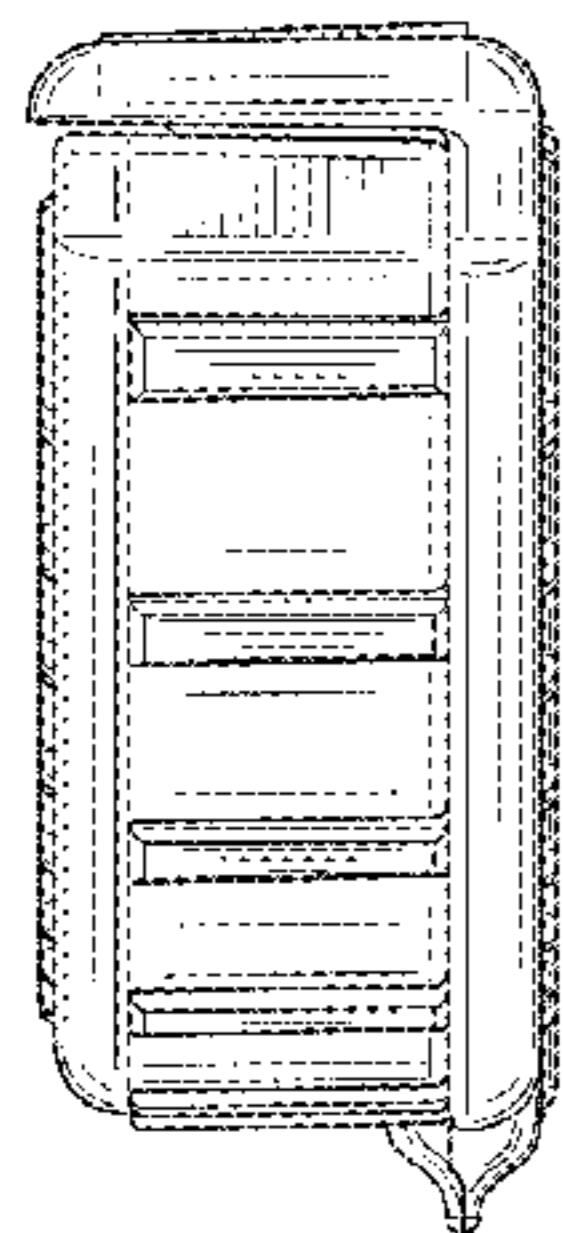
(56) **References Cited**

U.S. PATENT DOCUMENTS

4,180,162 A	12/1979	Magney	
4,998,334 A	3/1991	Pemberton et al.	
5,363,958 A	11/1994	Horan	
5,433,321 A	7/1995	Abidin et al.	
5,727,682 A	3/1998	Abidin et al.	
5,868,771 A *	2/1999	Herbert	A61B 17/3213 30/162
5,875,532 A	3/1999	Musgrave et al.	
5,938,027 A	8/1999	Soroff et al.	
6,216,868 B1	4/2001	Rastegar et al.	
D473,649 S *	4/2003	Howell	A61B 17/3211 D24/146

(Continued)

1 Claim, 6 Drawing Sheets



(56)

References Cited

U.S. PATENT DOCUMENTS

D475,135 S * 5/2003 Howell A61B 17/3211
D24/147
D482,122 S * 11/2003 Cohn D24/133
D482,449 S * 11/2003 Cohn D24/147
D489,457 S * 5/2004 Cohn D24/147
D490,154 S * 5/2004 Howell D24/147
7,036,660 B1 5/2006 Abidin et al.
7,155,795 B2 1/2007 Abidin et al.
D561,898 S * 2/2008 Goto A61B 17/3211
D24/146
8,931,181 B2 1/2015 Milton et al.
9,101,388 B2 8/2015 Yi et al.
9,113,946 B2 8/2015 Hajgato et al.
2002/0143352 A1 * 10/2002 Newman A61B 17/3213
606/167
2017/0265882 A1 * 9/2017 Austria A61B 17/3211

FOREIGN PATENT DOCUMENTS

WO WO 2014036926 A1 * 3/2014 A61B 17/3213
WO WO 2018030954 A1 * 2/2018 A61B 17/3211

* cited by examiner

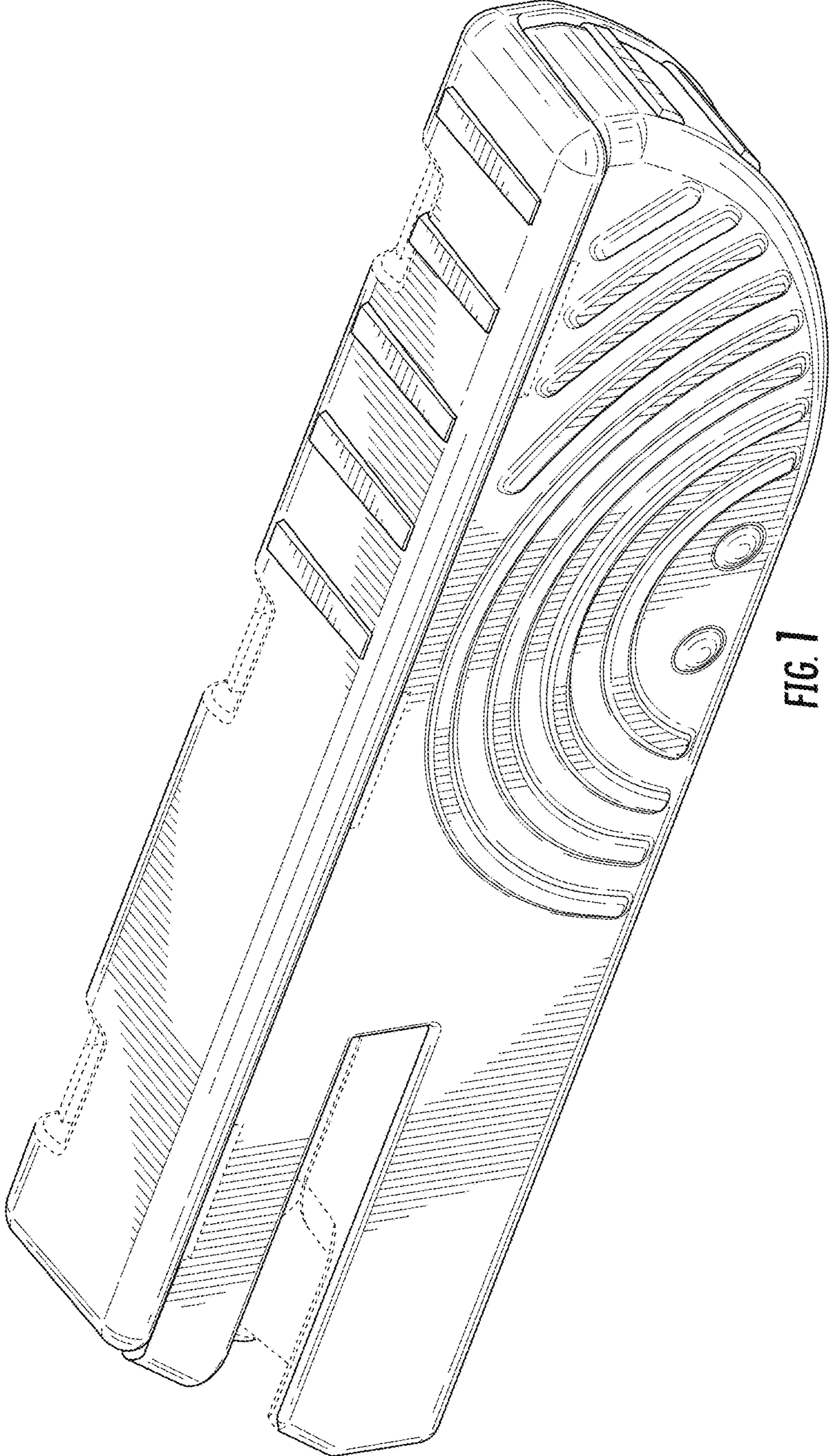


FIG. 1

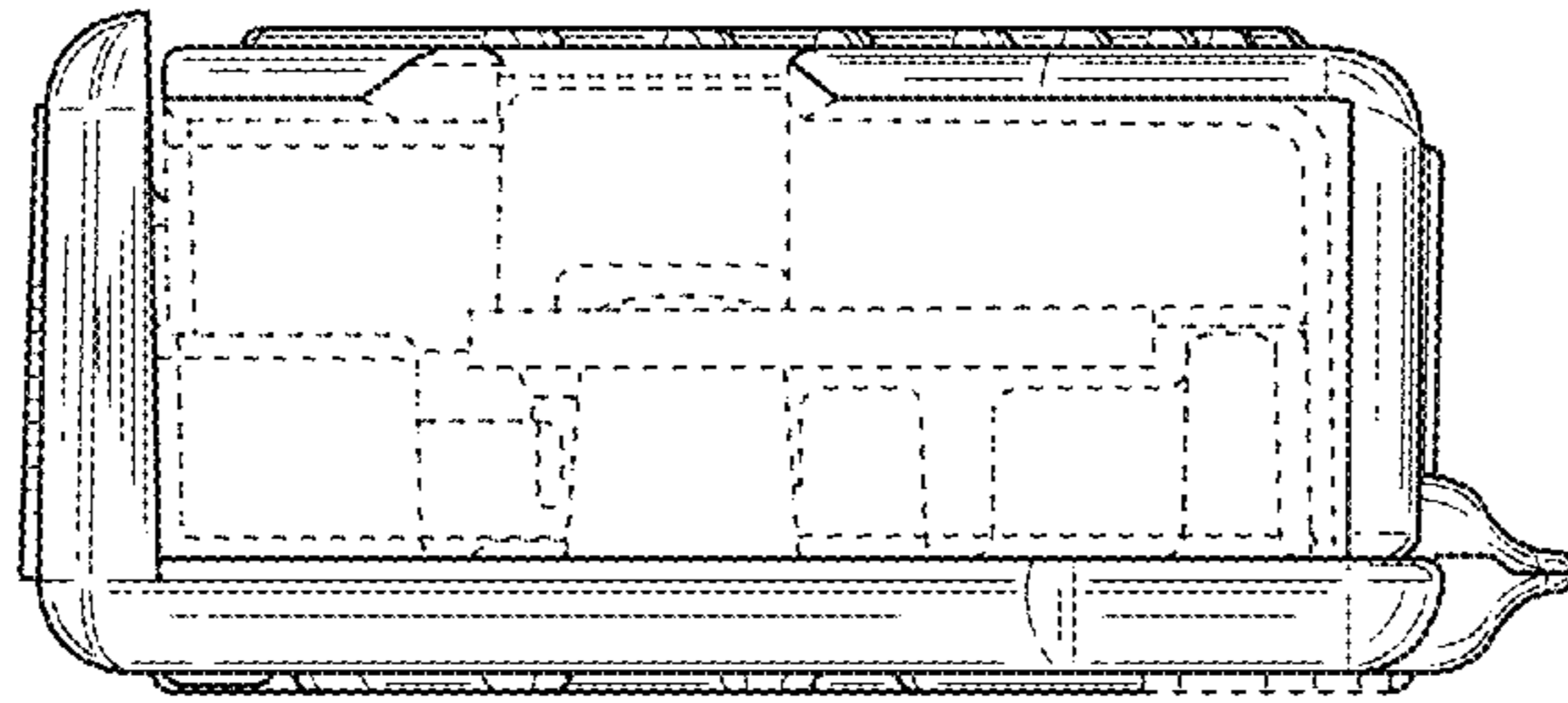


FIG. 3

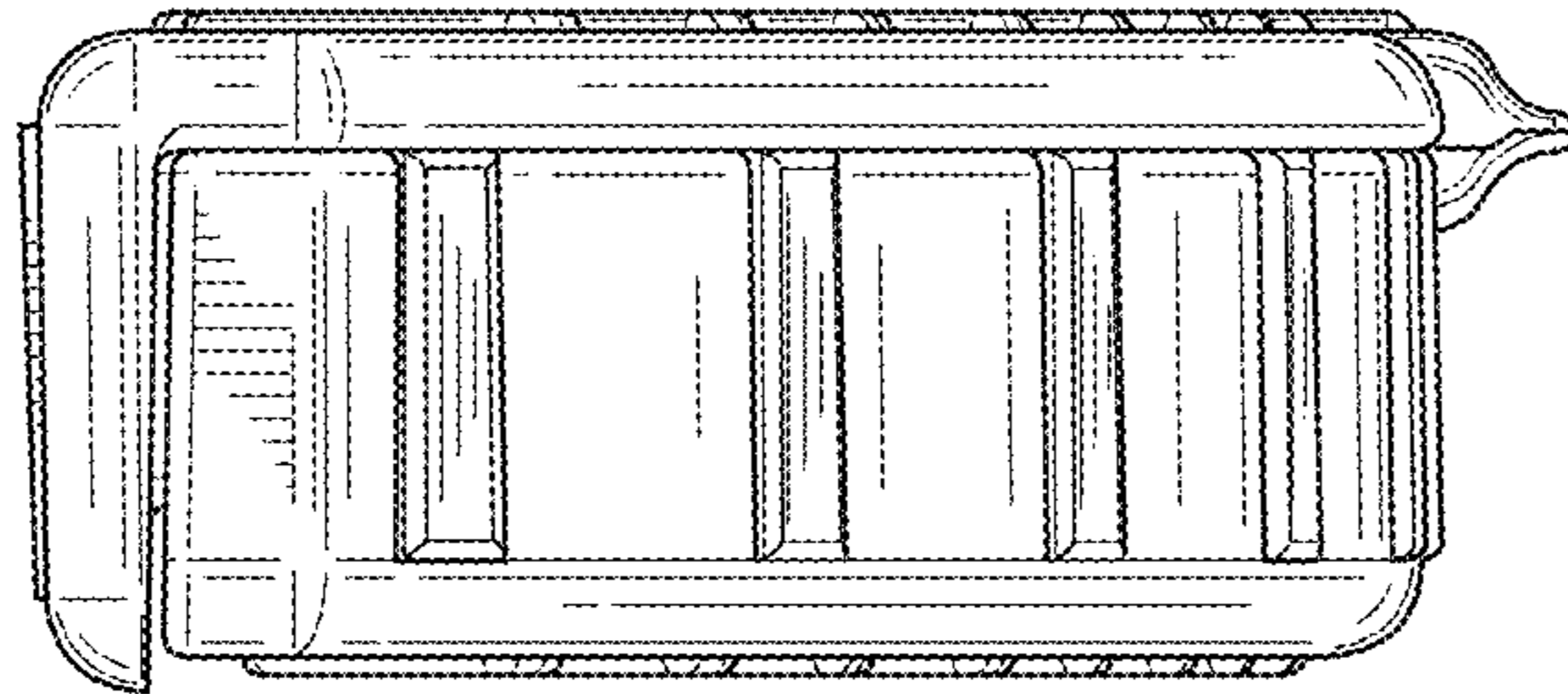


FIG. 2

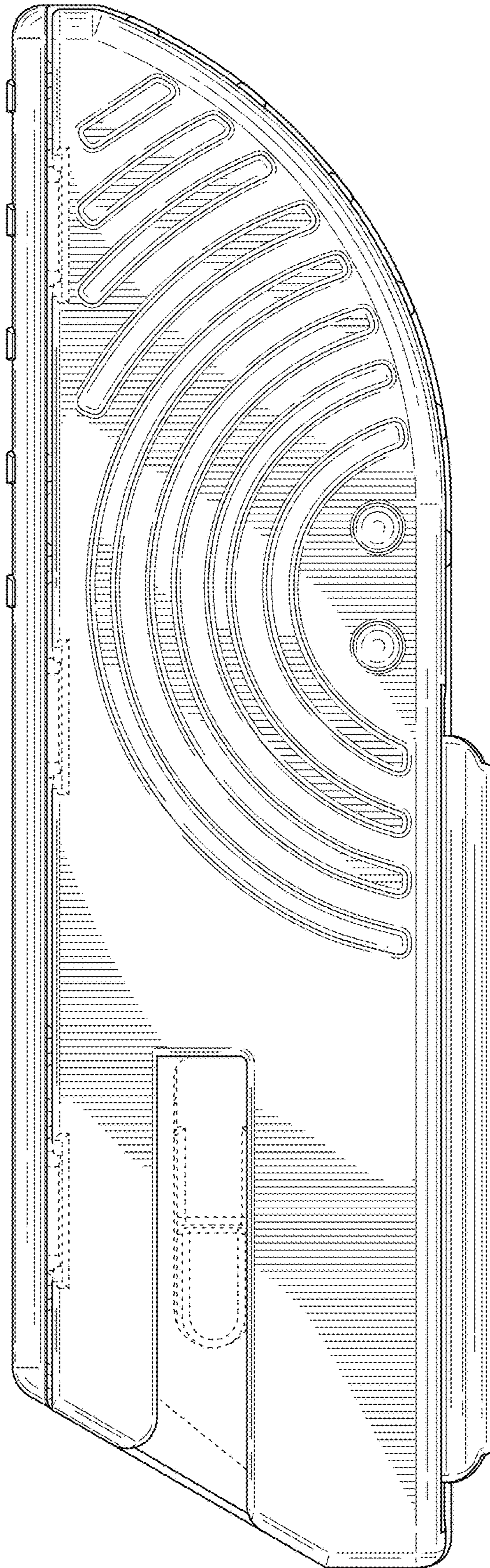


FIG. 4

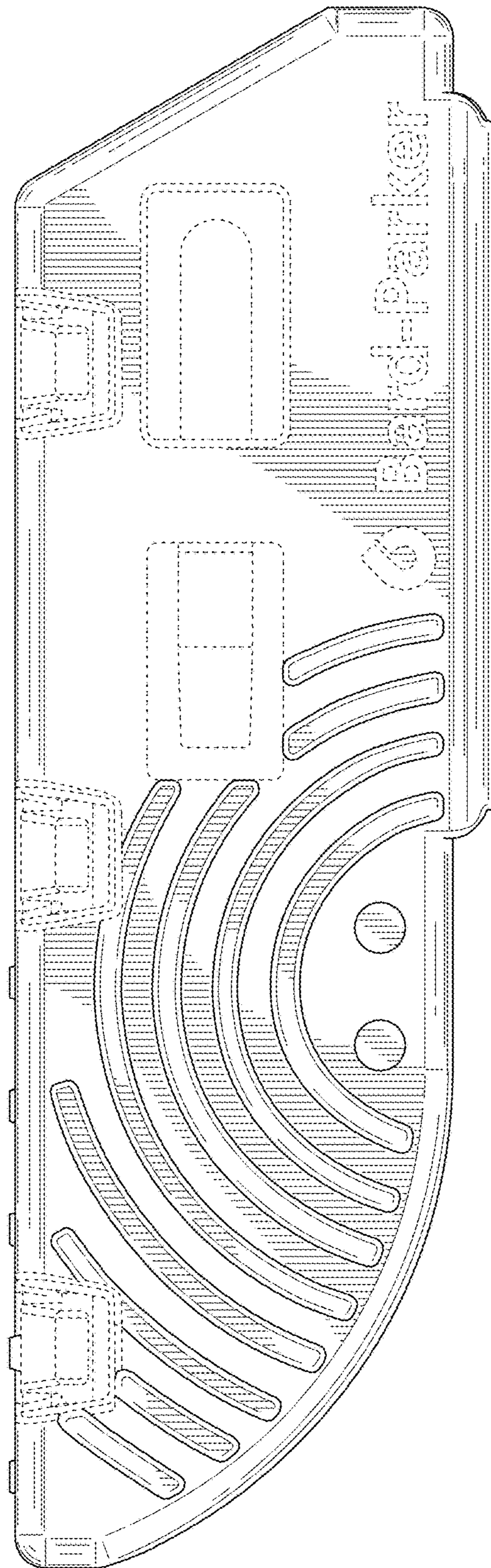


FIG. 5

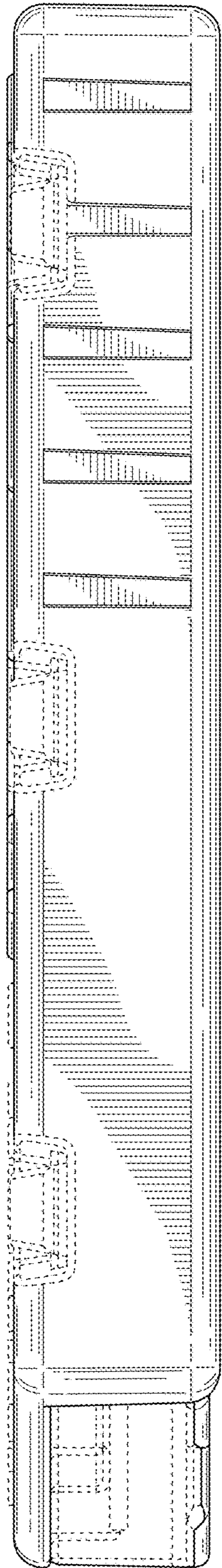


FIG. 6

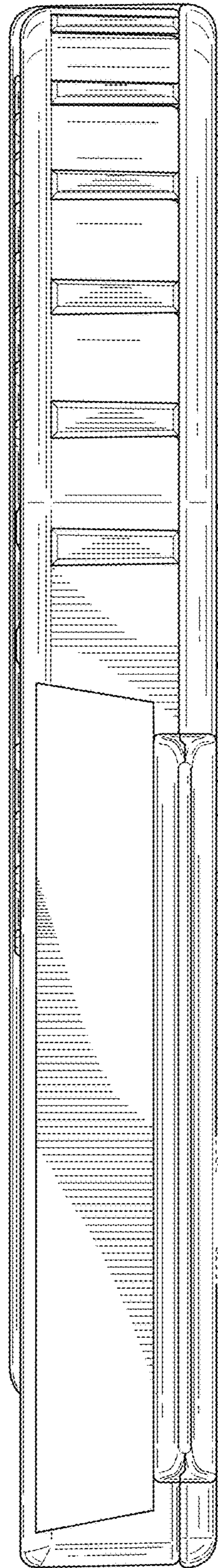


FIG. 7

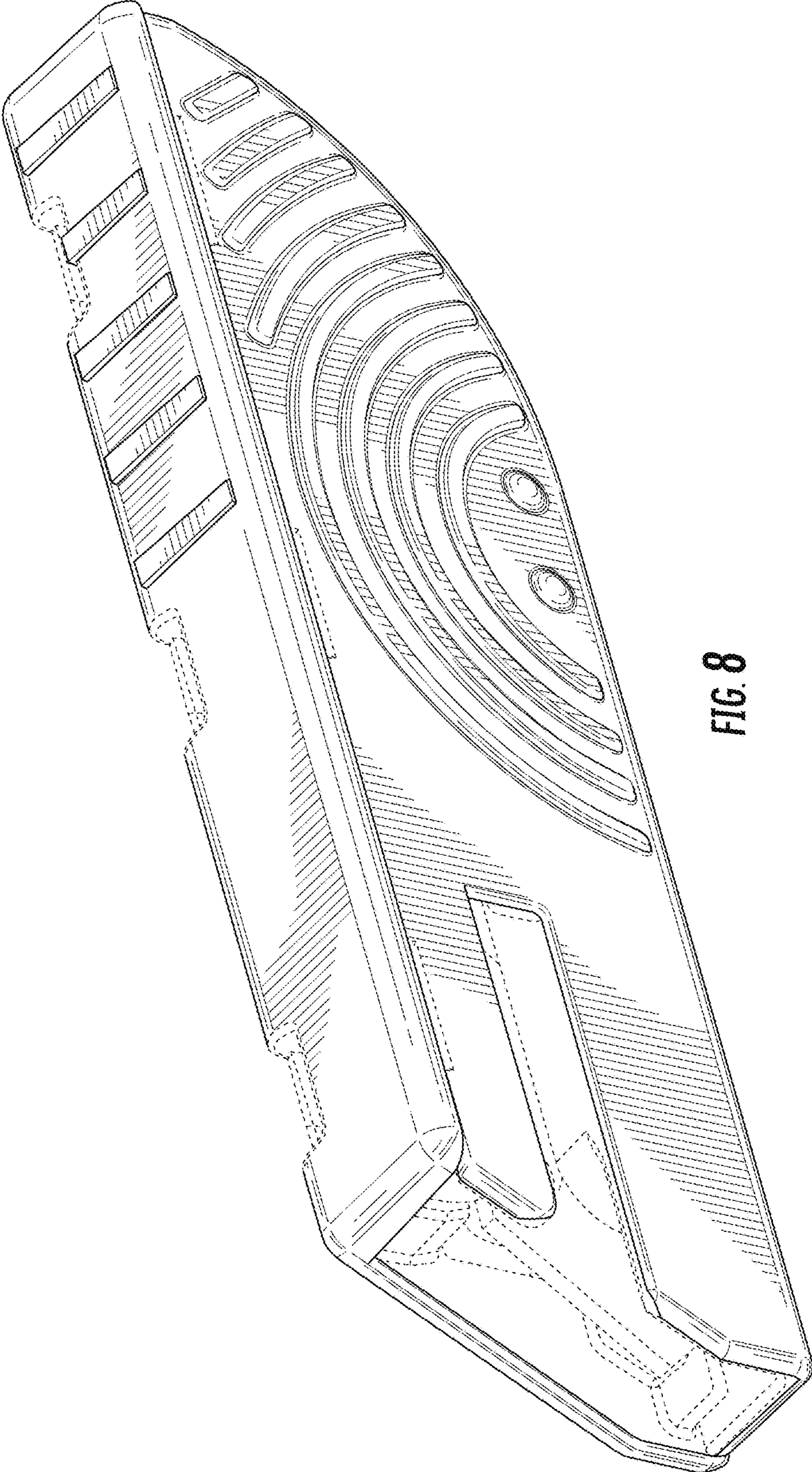


FIG. 8