



US00D831824S

(12) **United States Design Patent** (10) **Patent No.:** **US D831,824 S**
Antalffy (45) **Date of Patent:** **** Oct. 23, 2018**

(54) **PEAK FLOW METER**

Primary Examiner — Antoine Duval Davis
(74) *Attorney, Agent, or Firm* — Ziegler IP Law Group, LLC

(71) Applicant: **Smart Respiratory Products Ltd,**
London (GB)

(72) Inventor: **Thomas Antalffy,** London (GB)

(57) **CLAIM**

(73) Assignee: **Smart Respiratory Products Ltd,**
London (GB)

The ornamental design of a peak flow meter, as shown and described.

(**) Term: **15 Years**

DESCRIPTION

(21) Appl. No.: **29/604,714**

(22) Filed: **May 19, 2017**

(30) **Foreign Application Priority Data**

Mar. 2, 2017 (EM) 003780212

(51) **LOC (11) Cl.** **24-02**

(52) **U.S. Cl.**
USPC **D24/140; D10/96**

(58) **Field of Classification Search**
USPC D10/96; D24/133, 140
CPC A61B 5/087; A61B 5/0871; A61B 5/09
See application file for complete search history.

FIG. 1 is a perspective view of a first embodiment of a peak flow meter of the subject disclosure;
FIG. 2 is a front view thereof;
FIG. 3 is a rear view thereof;
FIG. 4 is a right side view thereof;
FIG. 5 is a left side view thereof;
FIG. 6 is a top view thereof;
FIG. 7 is a bottom view thereof;
FIG. 8 is a perspective view of a second embodiment of a peak flow meter of the subject disclosure, the peak flow meter including a mouthpiece;
FIG. 9 is a front view thereof;
FIG. 10 is a rear view thereof;
FIG. 11 is a right side view thereof;
FIG. 12 is a left side view thereof;
FIG. 13 is a top view thereof; and,
FIG. 14 is a bottom view thereof.

(56) **References Cited**

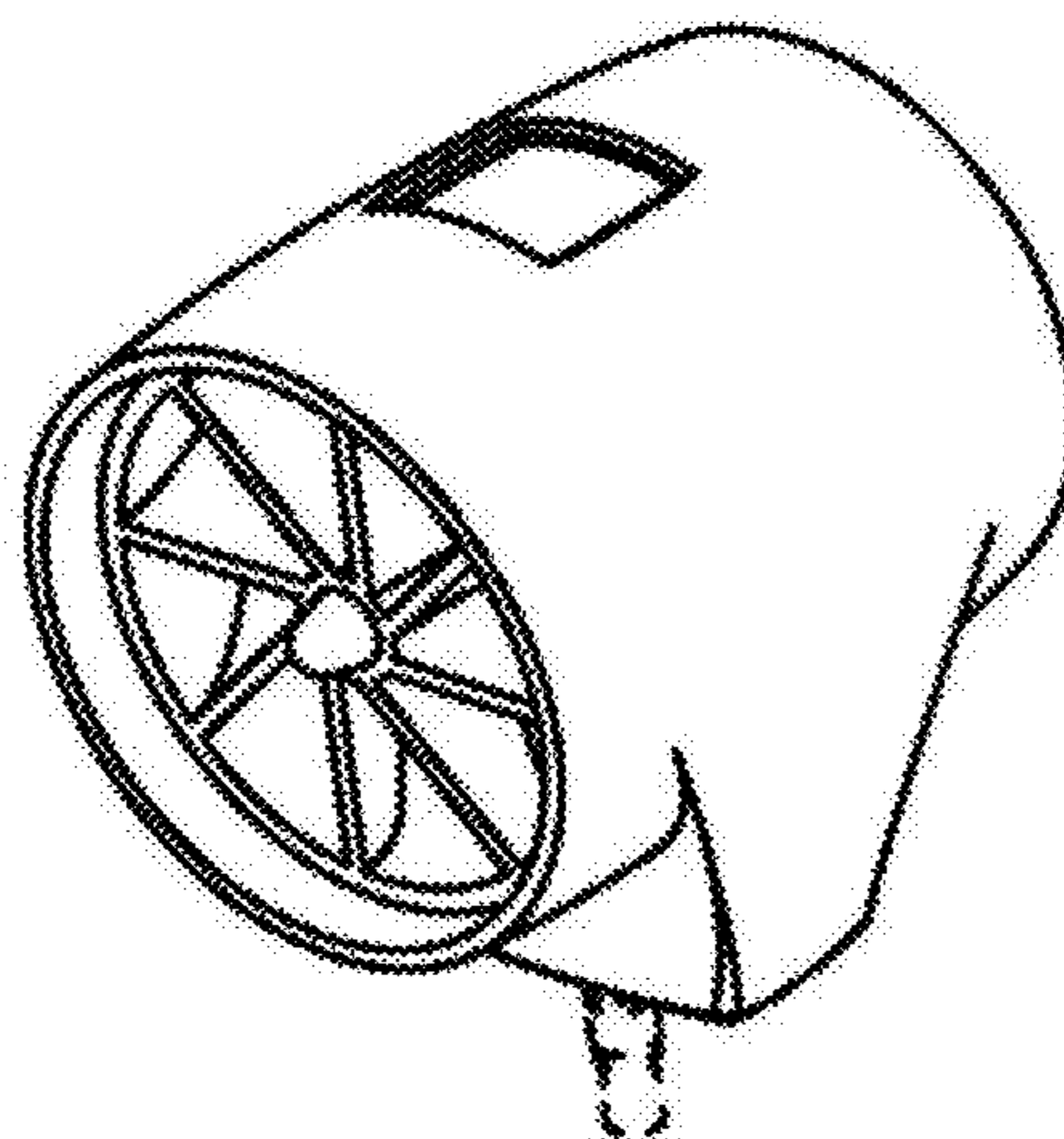
U.S. PATENT DOCUMENTS

5,038,773 A * 8/1991 Norlien A61B 5/087
128/205.23

The environmental structure shown with broken lines in the drawings forms no part of the claimed design.

* cited by examiner

1 Claim, 14 Drawing Sheets



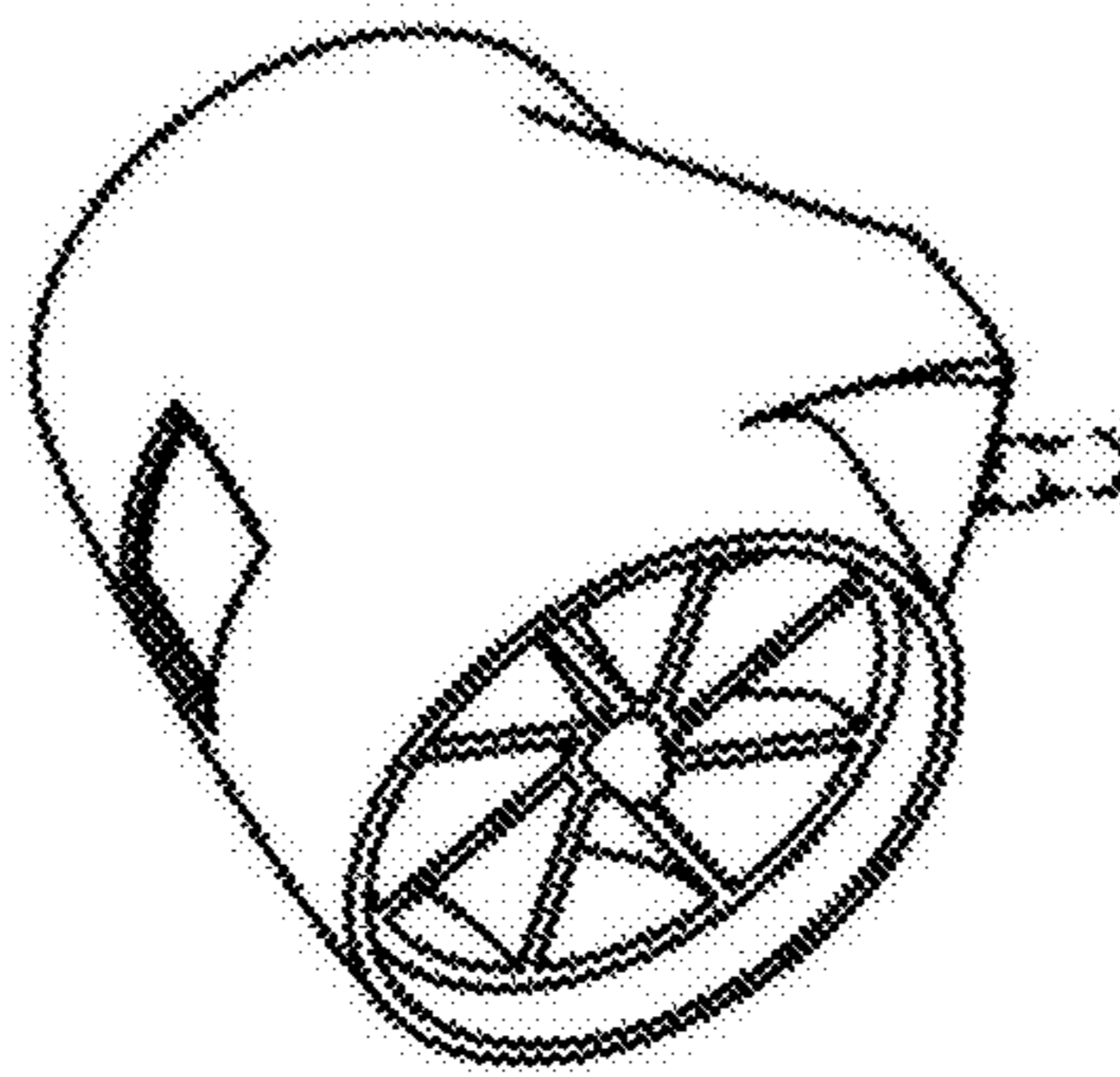


FIG. 1

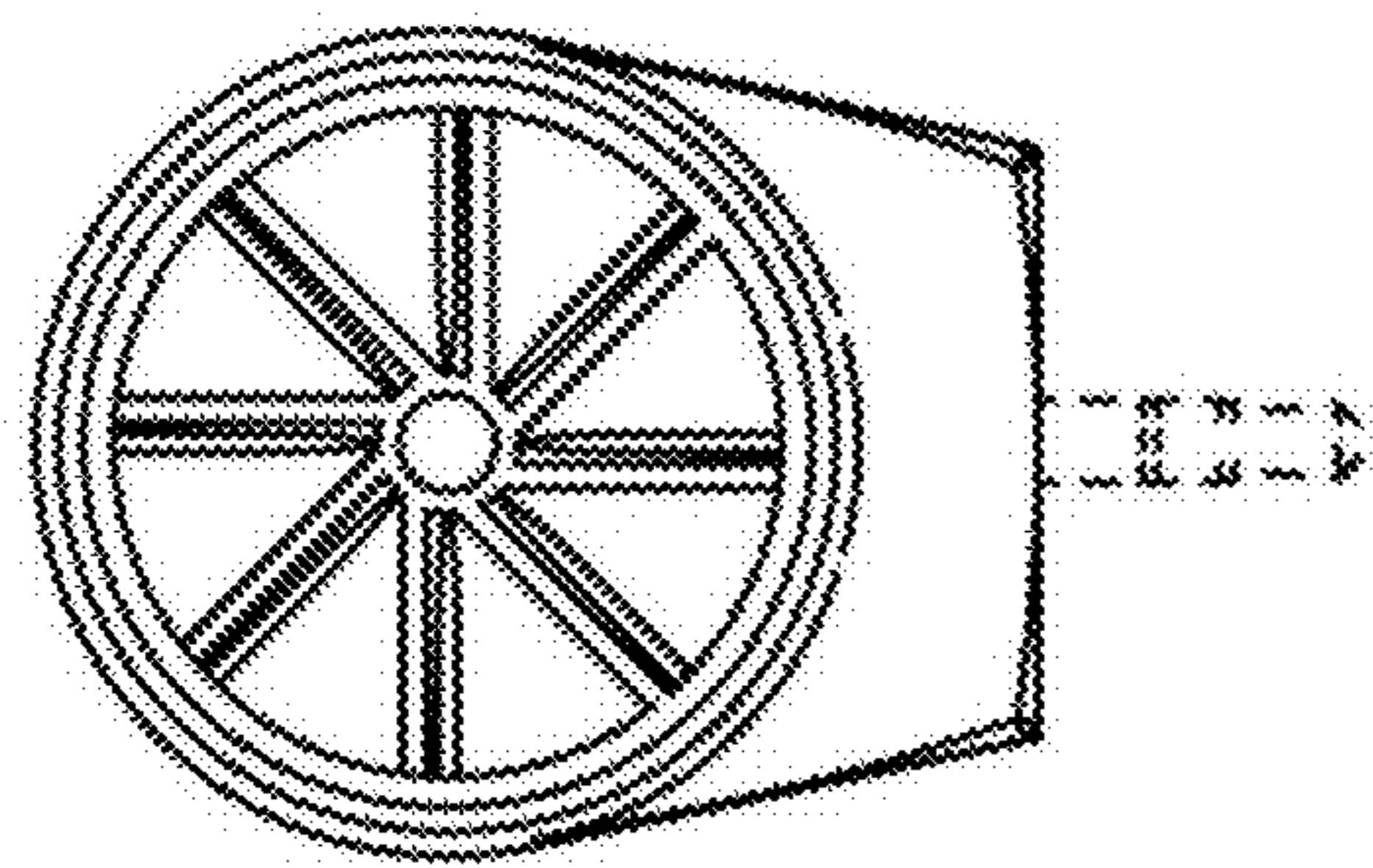


FIG. 2

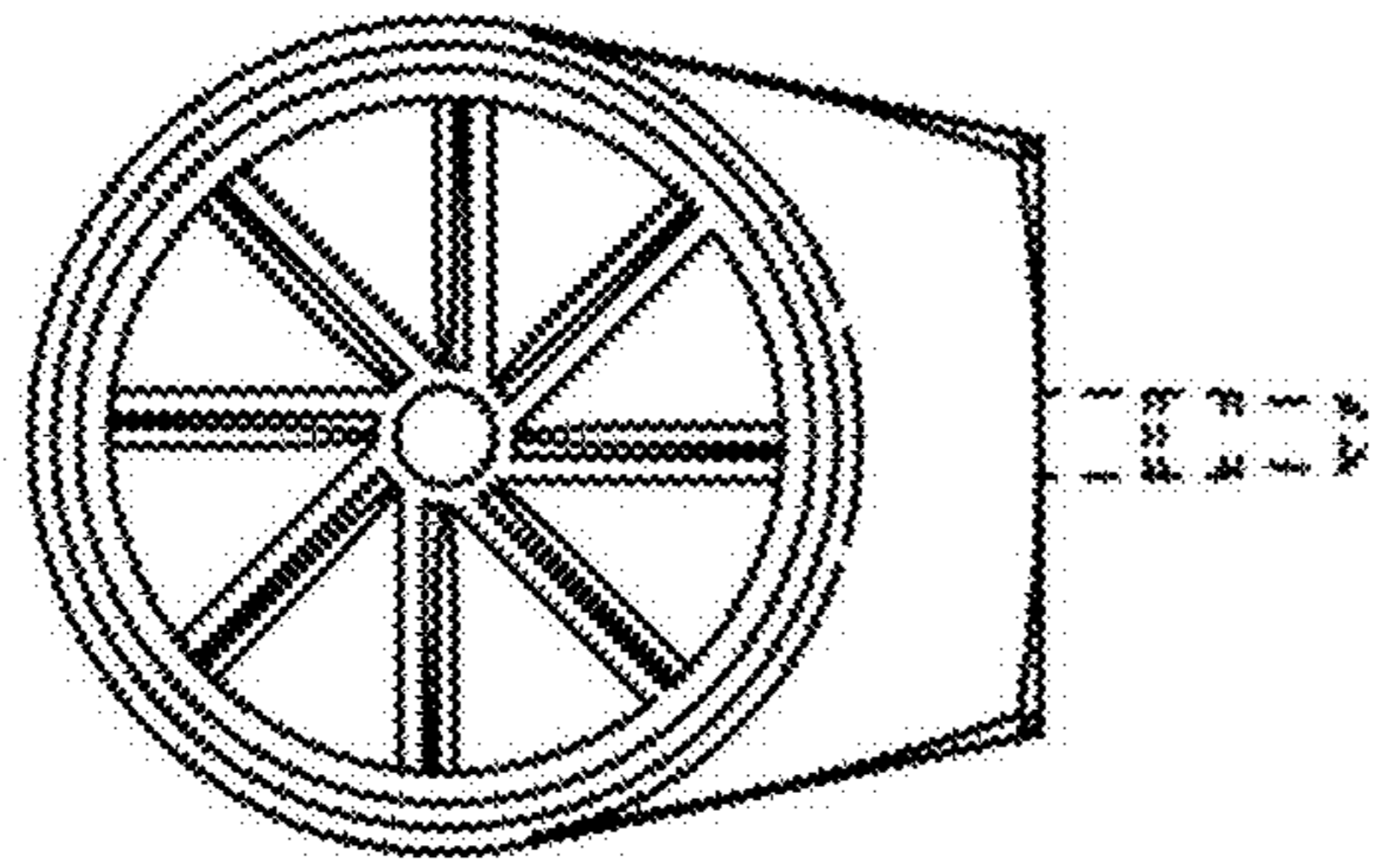


FIG. 3

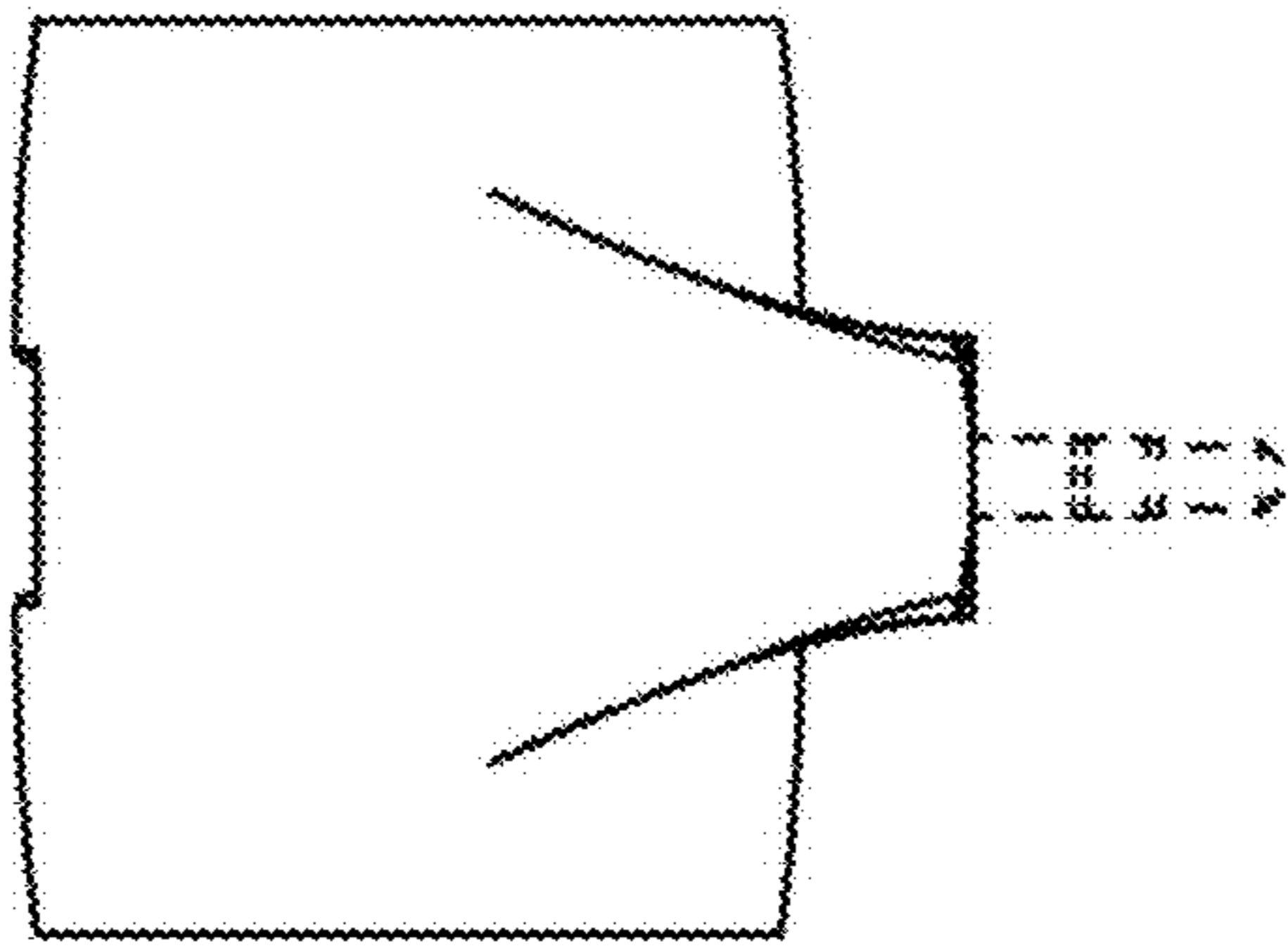


FIG. 4

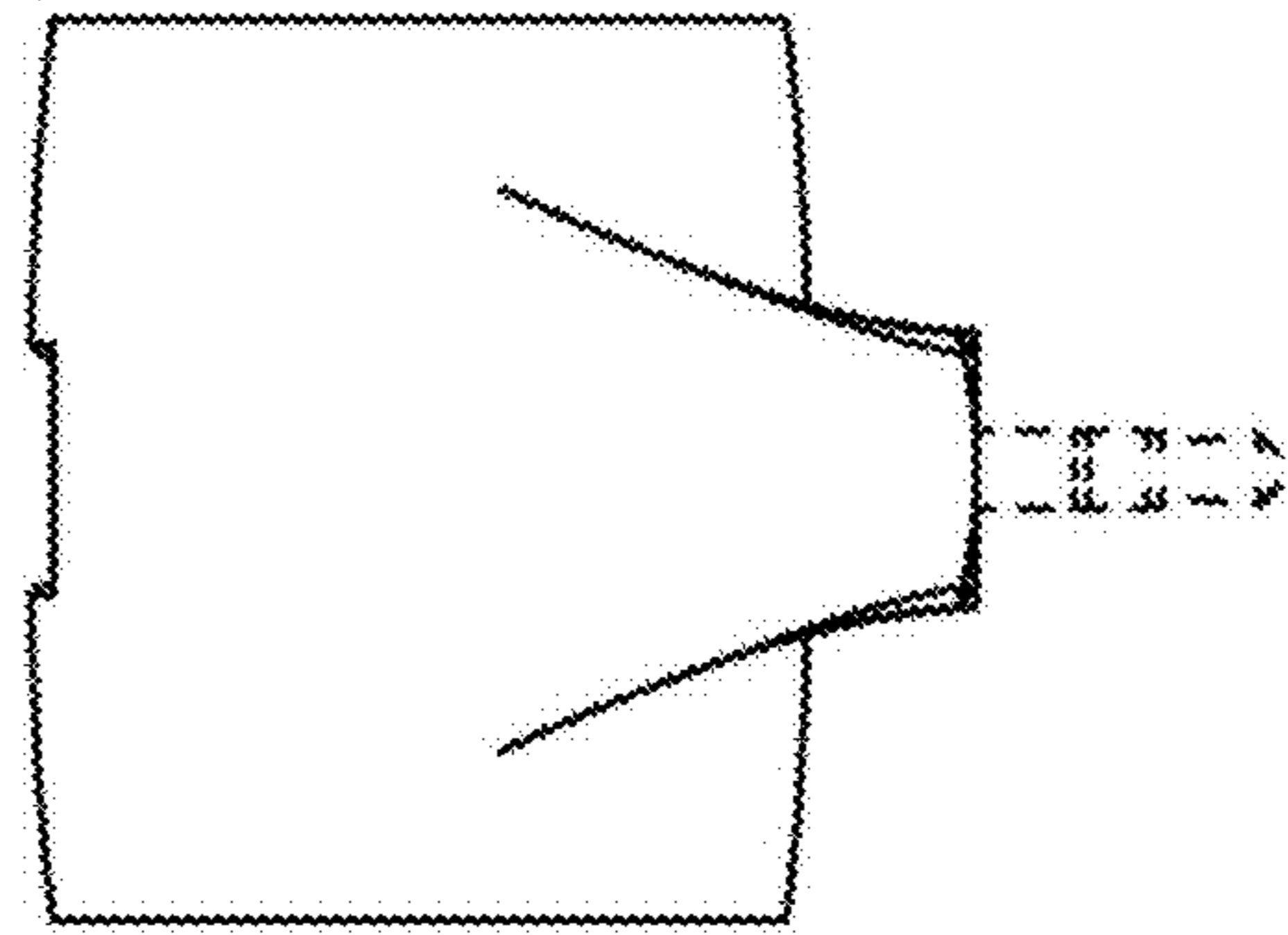


FIG. 5

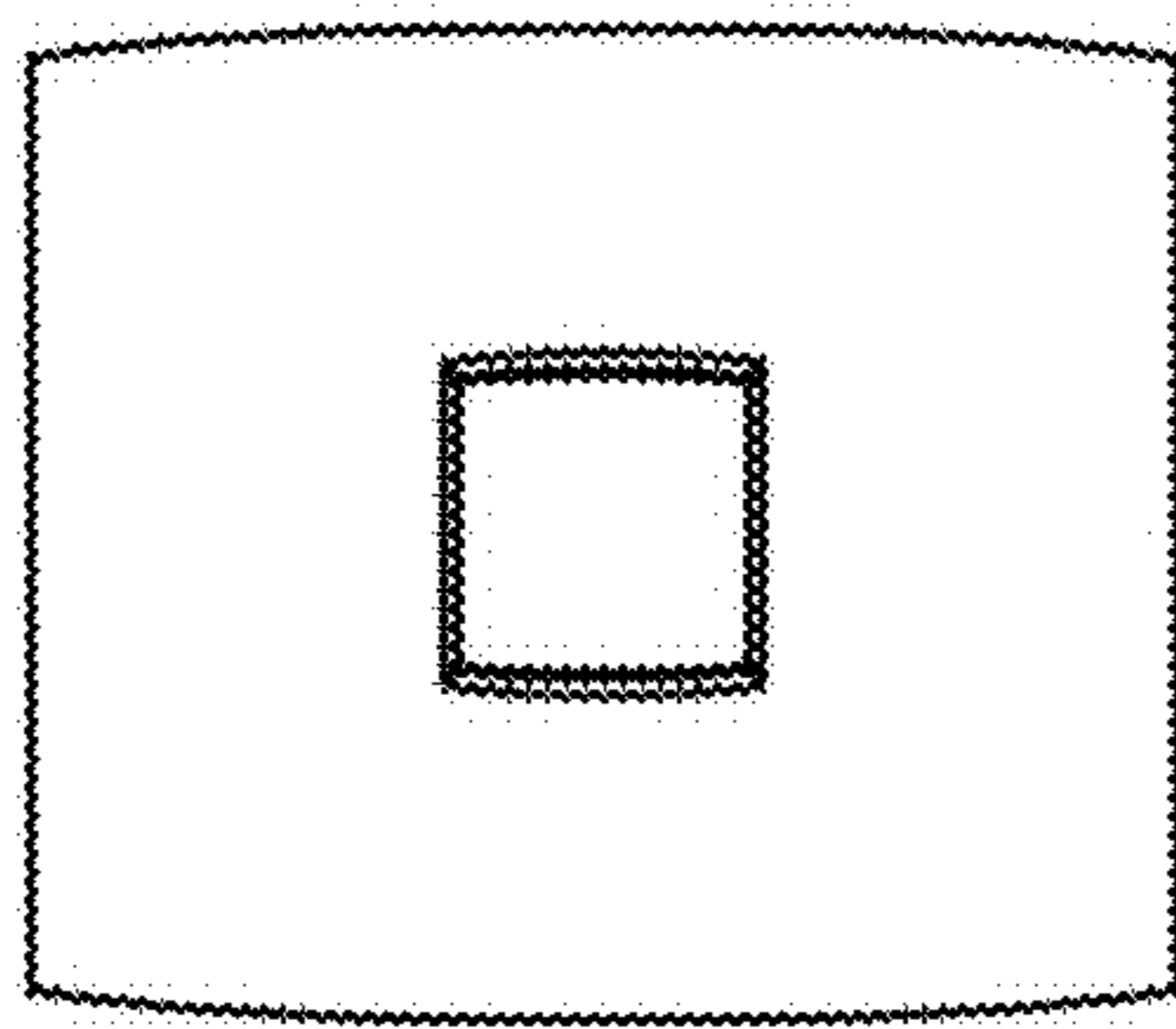


FIG. 6

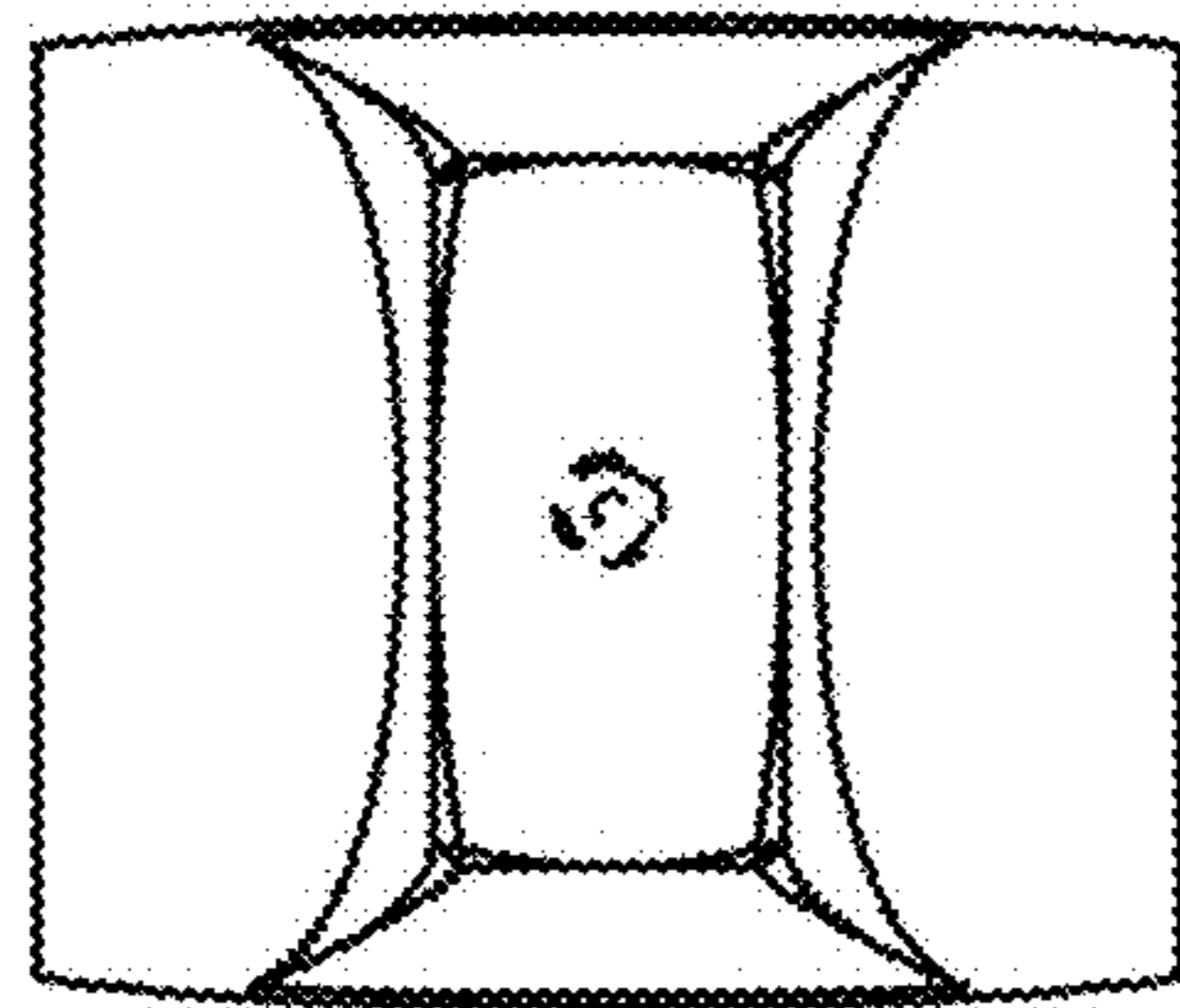


FIG. 7

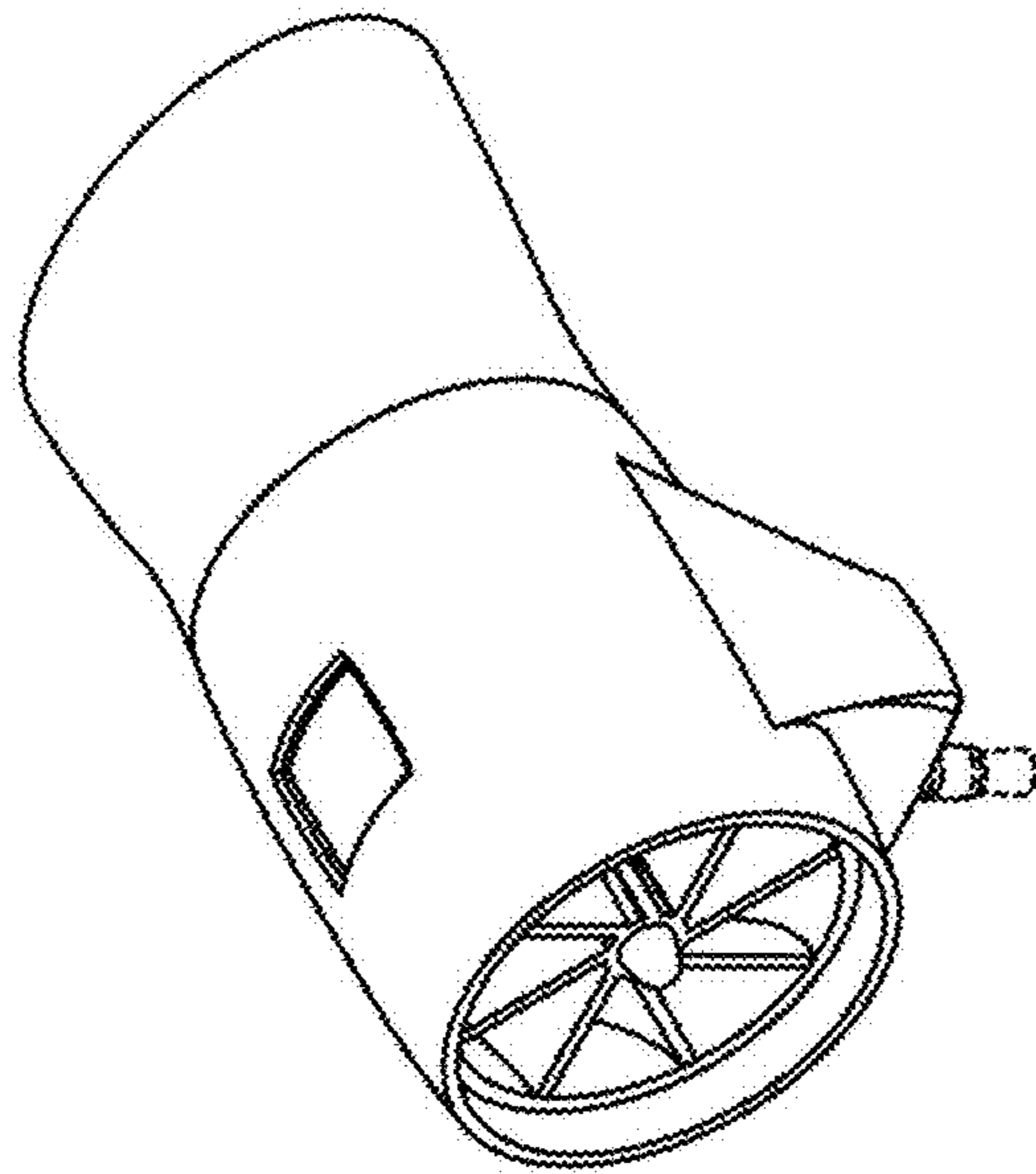


FIG. 8

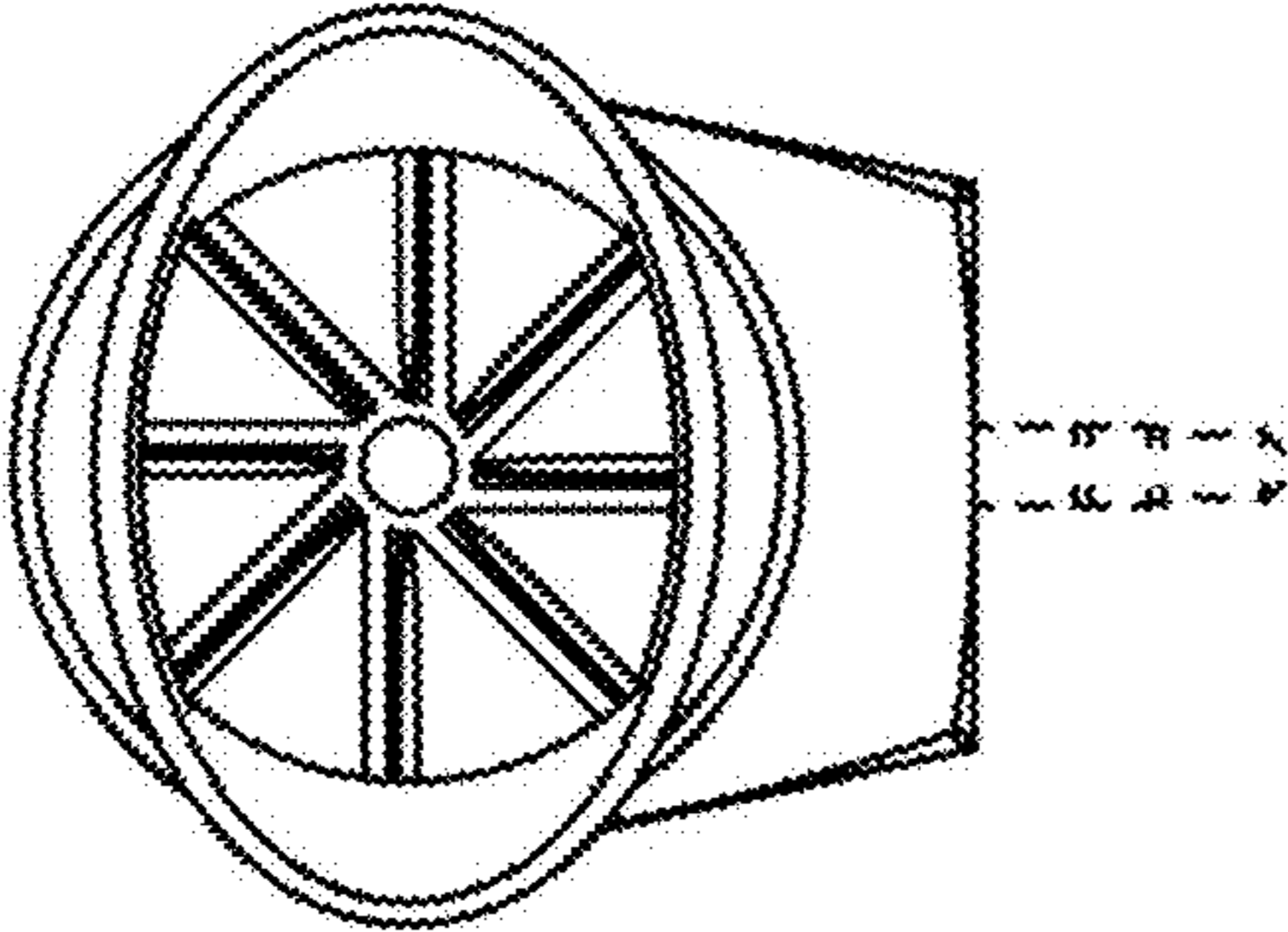


FIG. 9

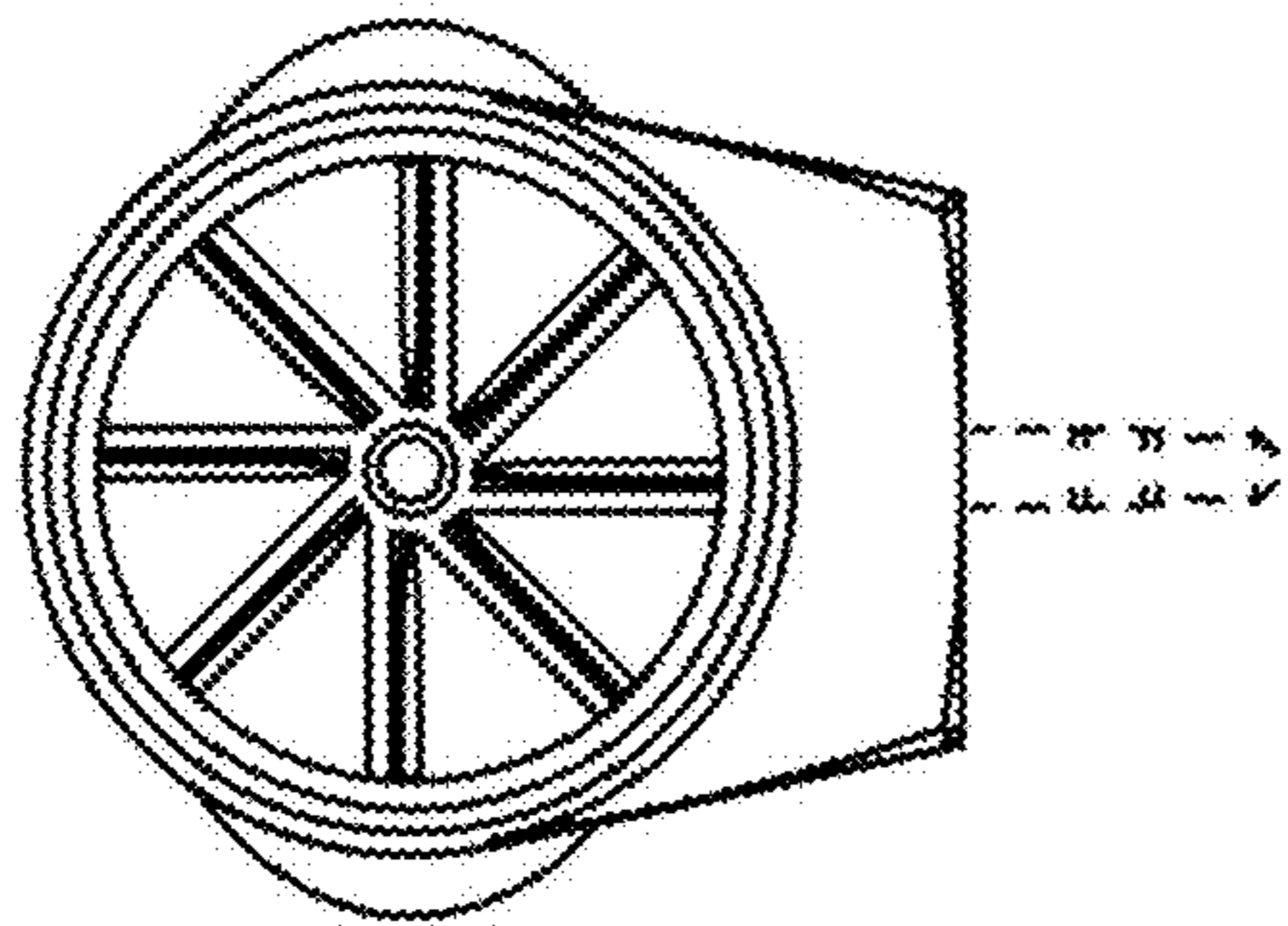


FIG. 10

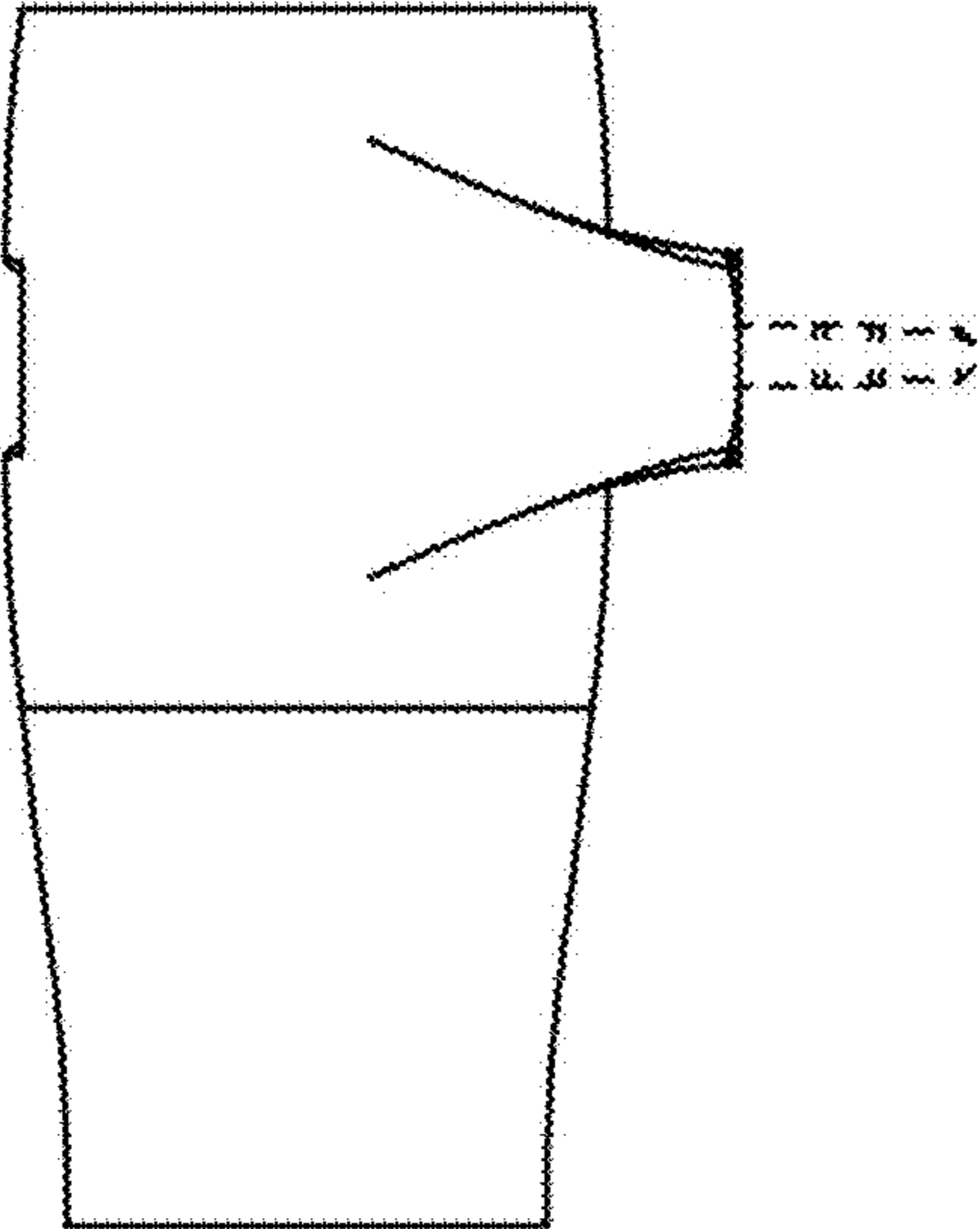


FIG. 11

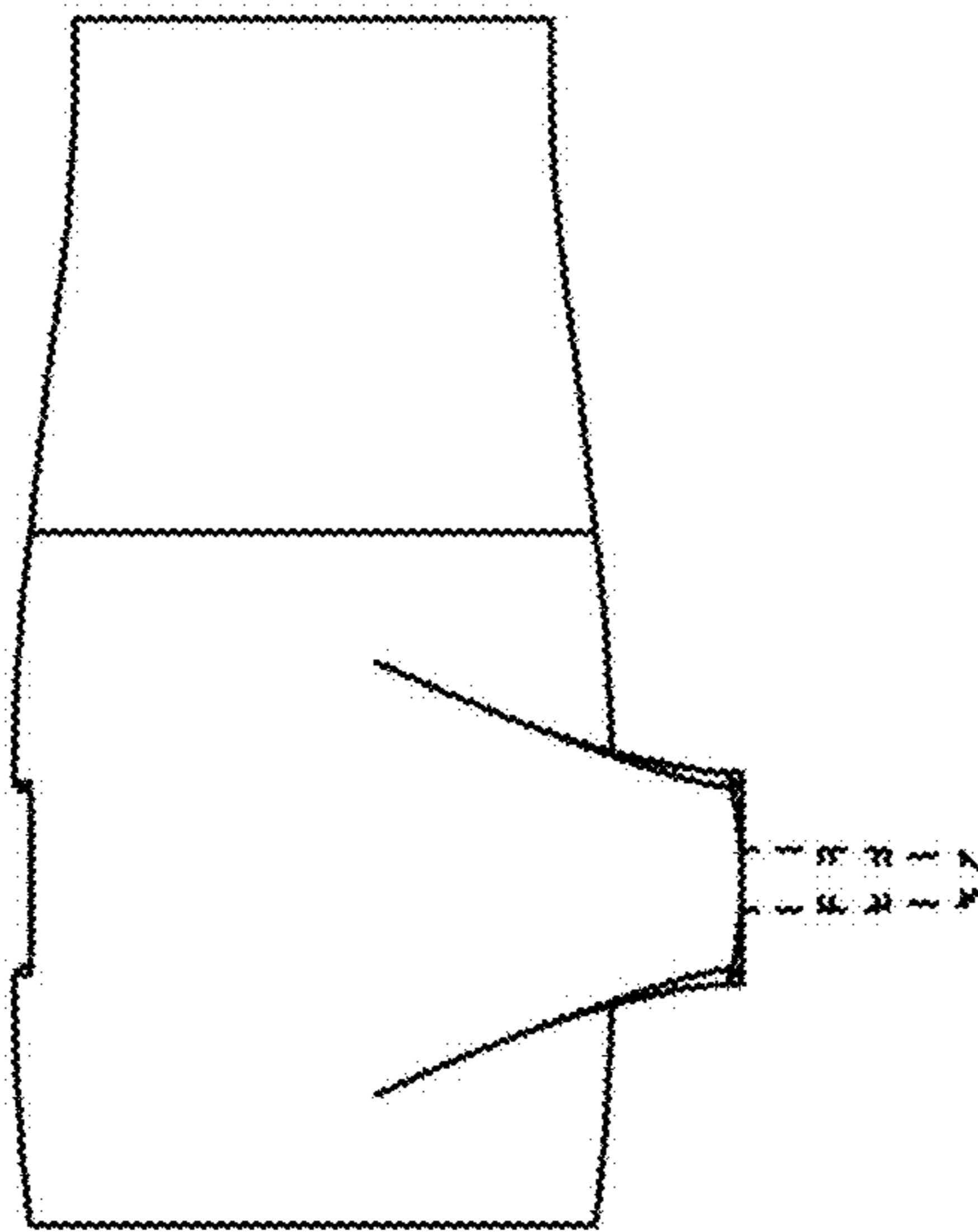


FIG. 12

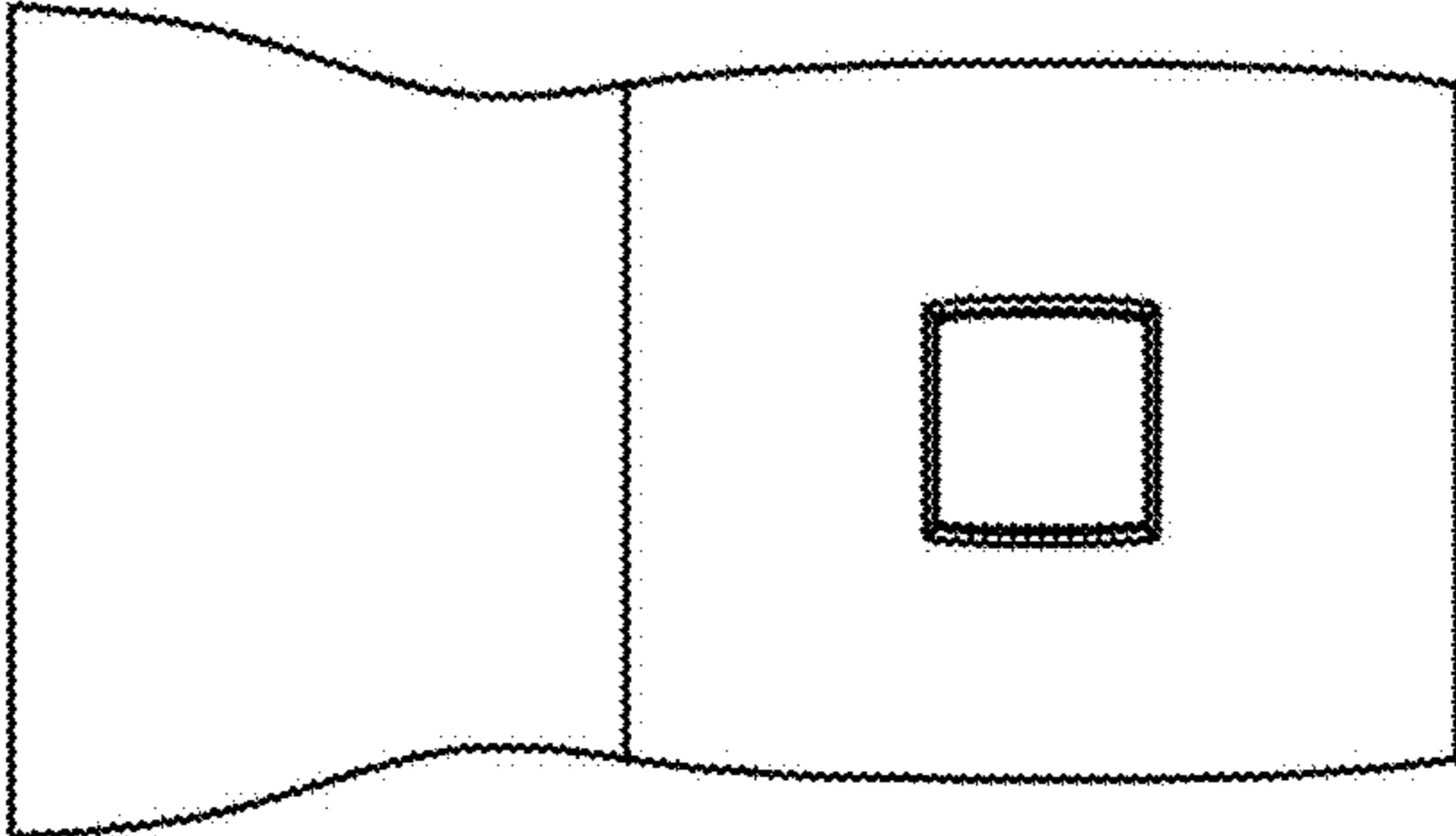


FIG. 13

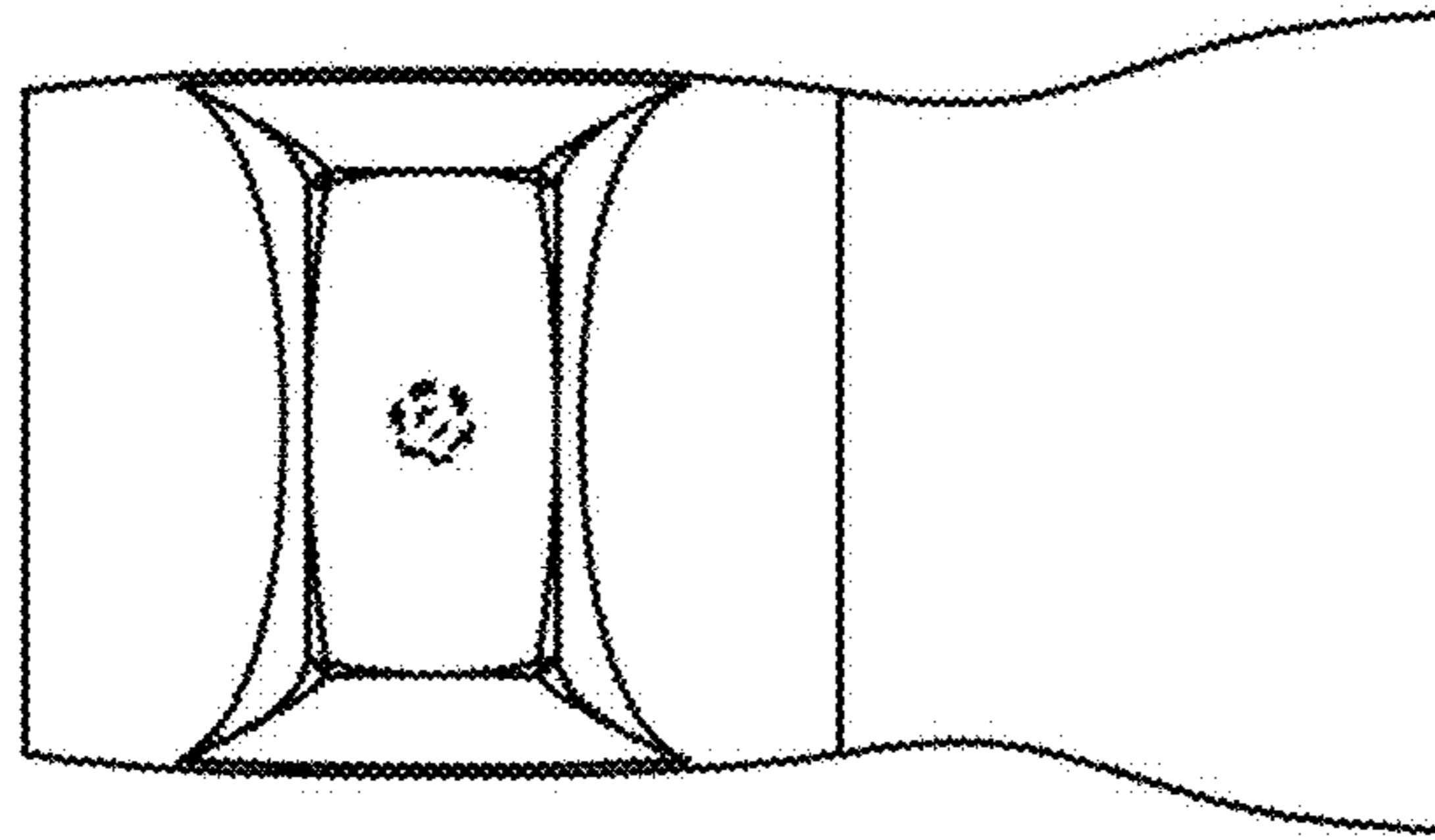


FIG. 14