



US00D831821S

(12) **United States Design Patent**  
**Petersen**

(10) **Patent No.:** **US D831,821 S**

(45) **Date of Patent:** **\*\* Oct. 23, 2018**

(54) **SYRINGE PUMP HOUSING**

(71) Applicant: **CSL Behring Recombinant Facility AG, Bern (CH)**

(72) Inventor: **Carsten Petersen, Hoejbjerg (DK)**

(73) Assignees: **CSL BEHRING RECOMBINANT FACILITY AG, Bern (CH);  
MEDICOM INNOVATION PARTNER a/s, Struer (DK)**

(\*\*) Term: **15 Years**

(21) Appl. No.: **29/562,964**

(22) Filed: **Apr. 29, 2016**

(51) **LOC (11) Cl.** ..... **24-02**

(52) **U.S. Cl.**  
USPC ..... **D24/111**

(58) **Field of Classification Search**  
USPC ..... D24/107, 108, 111, 169, 185, 188  
CPC ..... A61M 5/142; A61M 2005/14208; A61M 5/14212; A61M 5/14228; A61M 5/14232; A61M 5/145; A61M 5/1456; A61M 5/14566; A61M 5/1458; A61M 5/1452; A61M 2205/505; A61M 5/14244; A61M 5/1723; A61M 2205/52; G06F 19/3468  
See application file for complete search history.

(56) **References Cited**

**U.S. PATENT DOCUMENTS**

|               |         |        |       |                            |
|---------------|---------|--------|-------|----------------------------|
| D265,243 S *  | 6/1982  | Manno  | ..... | D24/111                    |
| 4,493,704 A * | 1/1985  | Beard  | ..... | A61M 5/1452<br>604/154     |
| 4,529,401 A * | 7/1985  | Leslie | ..... | A61M 5/1456<br>128/DIG. 1  |
| 4,648,872 A * | 3/1987  | Kamen  | ..... | A61M 5/1456<br>128/DIG. 12 |
| 4,978,335 A * | 12/1990 | Arthur | ..... | A61M 5/1456<br>128/DIG. 1  |
| D325,255 S *  | 4/1992  | Busche | ..... | D24/108                    |

|                |         |               |       |                         |
|----------------|---------|---------------|-------|-------------------------|
| D325,781 S *   | 4/1992  | Moller-Jensen | ..... | D24/169                 |
| D326,152 S *   | 5/1992  | Rutter        | ..... | D24/111                 |
| D326,153 S *   | 5/1992  | Eastman       | ..... | D24/111                 |
| D326,320 S *   | 5/1992  | Rutter        | ..... | D24/111                 |
| D351,469 S *   | 10/1994 | Okamoto       | ..... | D24/169                 |
| 5,505,709 A *  | 4/1996  | Funderburk    | ..... | A61M 5/1456<br>604/151  |
| 5,637,095 A *  | 6/1997  | Nason         | ..... | A61M 5/14244<br>604/135 |
| 5,954,697 A *  | 9/1999  | Srisathapat   | ..... | A61M 5/1456<br>604/154  |
| 6,302,855 B1 * | 10/2001 | Lav           | ..... | A61B 5/14532<br>600/584 |
| D461,241 S *   | 8/2002  | Moberg        | ..... | D24/111                 |

(Continued)

*Primary Examiner* — Karen E Kearney

*Assistant Examiner* — Lilyana Bekic

(74) *Attorney, Agent, or Firm* — Finnegan, Henderson, Farabow, Garrett & Dunner LLP

(57) **CLAIM**

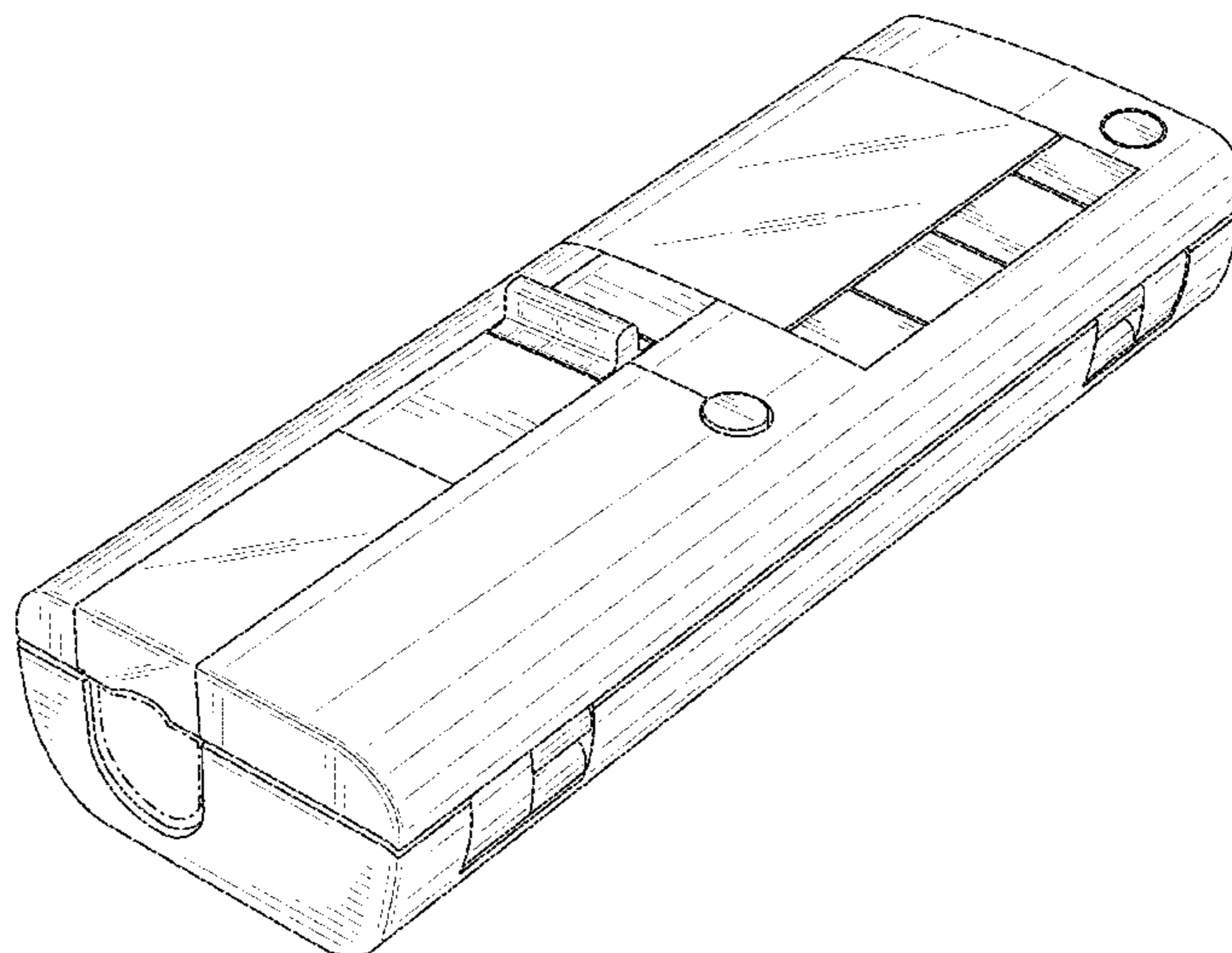
The ornamental design for a syringe pump housing, as shown and described.

**DESCRIPTION**

FIG. 1 is a front bottom right perspective view of a syringe pump housing showing my new design; FIG. 2 is a front elevation view thereof; FIG. 3 is a rear elevation view thereof; FIG. 4 is a top plan view thereof; FIG. 5 is a bottom plan view thereof; FIG. 6 is a left side view thereof; and, FIG. 7 is a right side view thereof.

Broken lines of even length shown in the drawings illustrate portions of the syringe pump housing that form no part of the claimed design. Broken lines of uneven length shown in the drawings illustrate the boundary of the claimed design, and form no part of the claimed design.

**1 Claim, 5 Drawing Sheets**



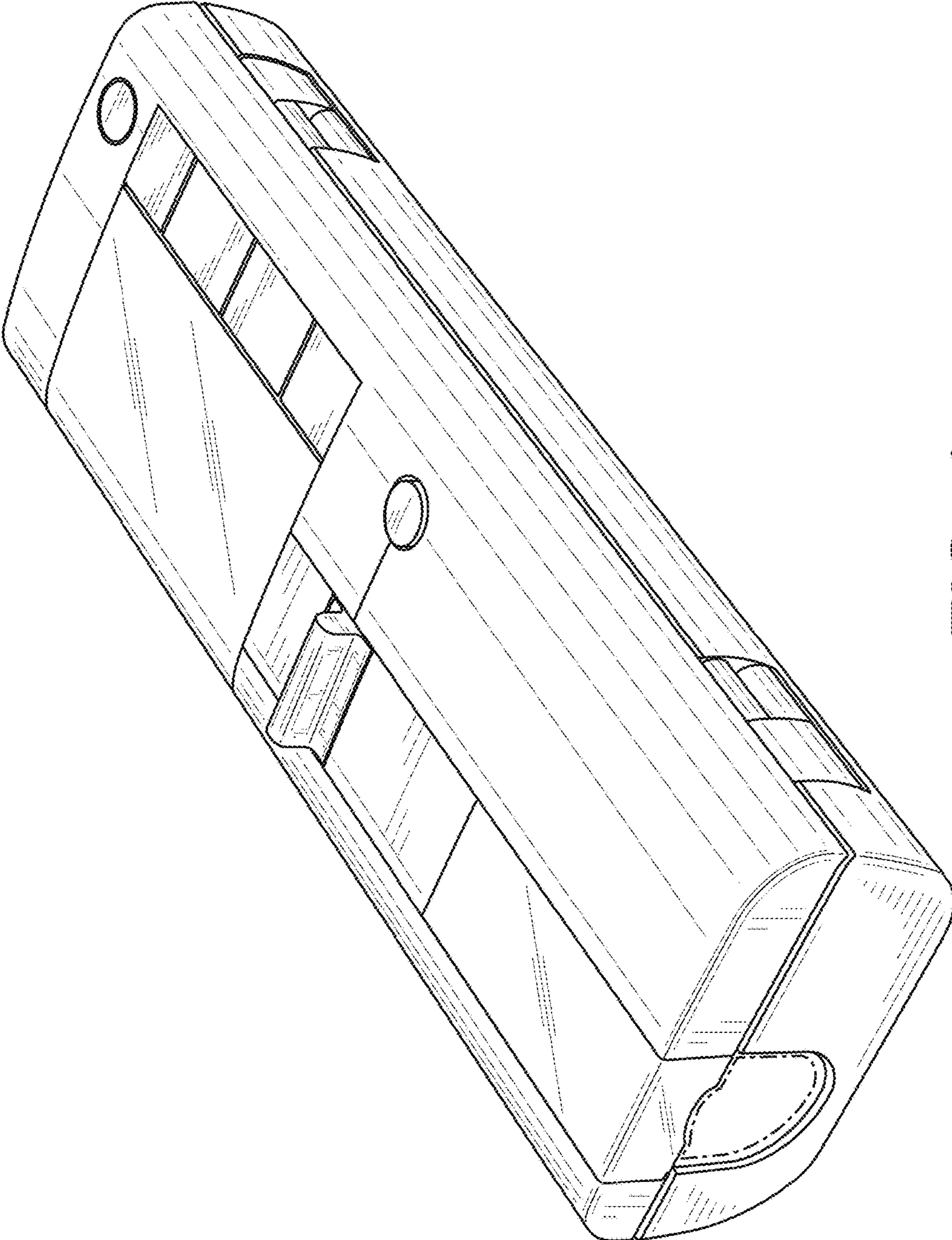
(56)

**References Cited**

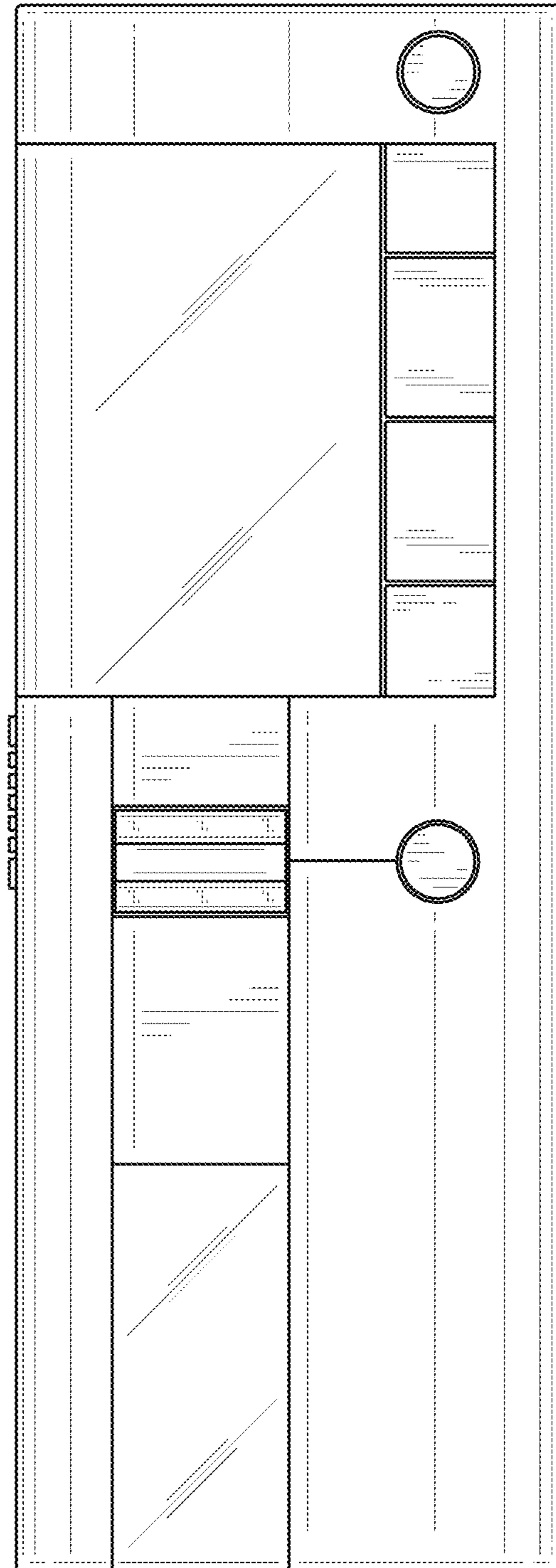
## U.S. PATENT DOCUMENTS

|              |      |         |                       |       |                         |
|--------------|------|---------|-----------------------|-------|-------------------------|
| D461,891     | S *  | 8/2002  | Moberg                | ..... | D24/111                 |
| D506,007     | S *  | 6/2005  | Best                  | ..... | D24/169                 |
| D669,165     | S *  | 10/2012 | Estes                 | ..... | D24/111                 |
| D669,167     | S *  | 10/2012 | Estes                 | ..... | D24/111                 |
| 8,454,562    | B1 * | 6/2013  | Sims                  | ..... | A61M 5/14244<br>604/151 |
| D689,523     | S *  | 9/2013  | Galbraith             | ..... | D15/7                   |
| D691,258     | S *  | 10/2013 | Estes                 | ..... | D24/111                 |
| D691,259     | S *  | 10/2013 | Estes                 | ..... | D24/111                 |
| 9,427,523    | B2 * | 8/2016  | Qi                    | ..... |                         |
| D791,306     | S *  | 7/2017  | Clemente              | ..... | D24/111                 |
| 9,833,569    | B2 * | 12/2017 | Gray                  | ..... | A61M 5/14244            |
| D809,134     | S *  | 1/2018  | Crothall              | ..... | D24/111                 |
| 9,861,740    | B2 * | 1/2018  | Adams                 | ..... | A61M 5/1452             |
| 9,878,095    | B2 * | 1/2018  | Alderete, Jr.         | ..... | A61M 5/16831            |
| 9,956,339    | B2 * | 5/2018  | Smith                 | ..... | A61M 5/14244            |
| 9,962,482    | B2 * | 5/2018  | Patel                 | ..... | A61M 5/1413             |
| 2001/0034502 | A1 * | 10/2001 | Moberg                | ..... | A61M 5/1456<br>604/154  |
| 2008/0306449 | A1 * | 12/2008 | Kristensen            | ..... | A61M 5/20<br>604/192    |
| 2011/0040247 | A1 * | 2/2011  | Mandro                | ..... | A61M 5/142<br>604/66    |
| 2018/0117253 | A1 * | 5/2018  | Salahshoor Kordestani | ..... | A61M 5/30               |

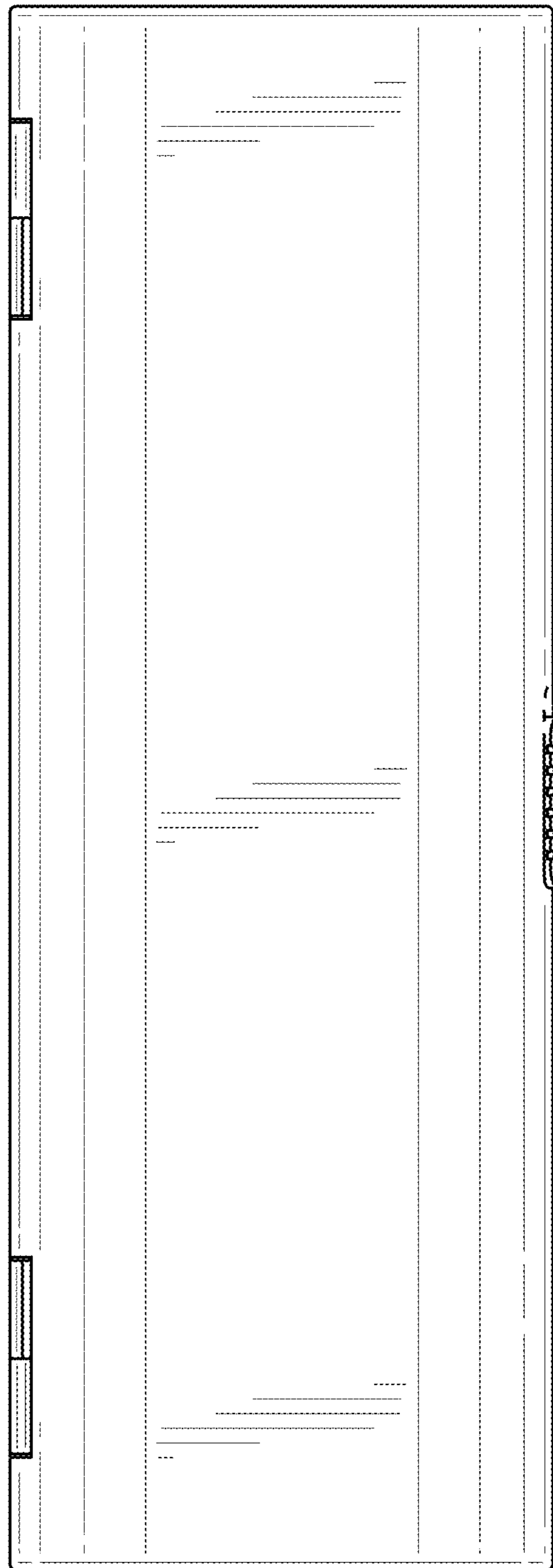
\* cited by examiner



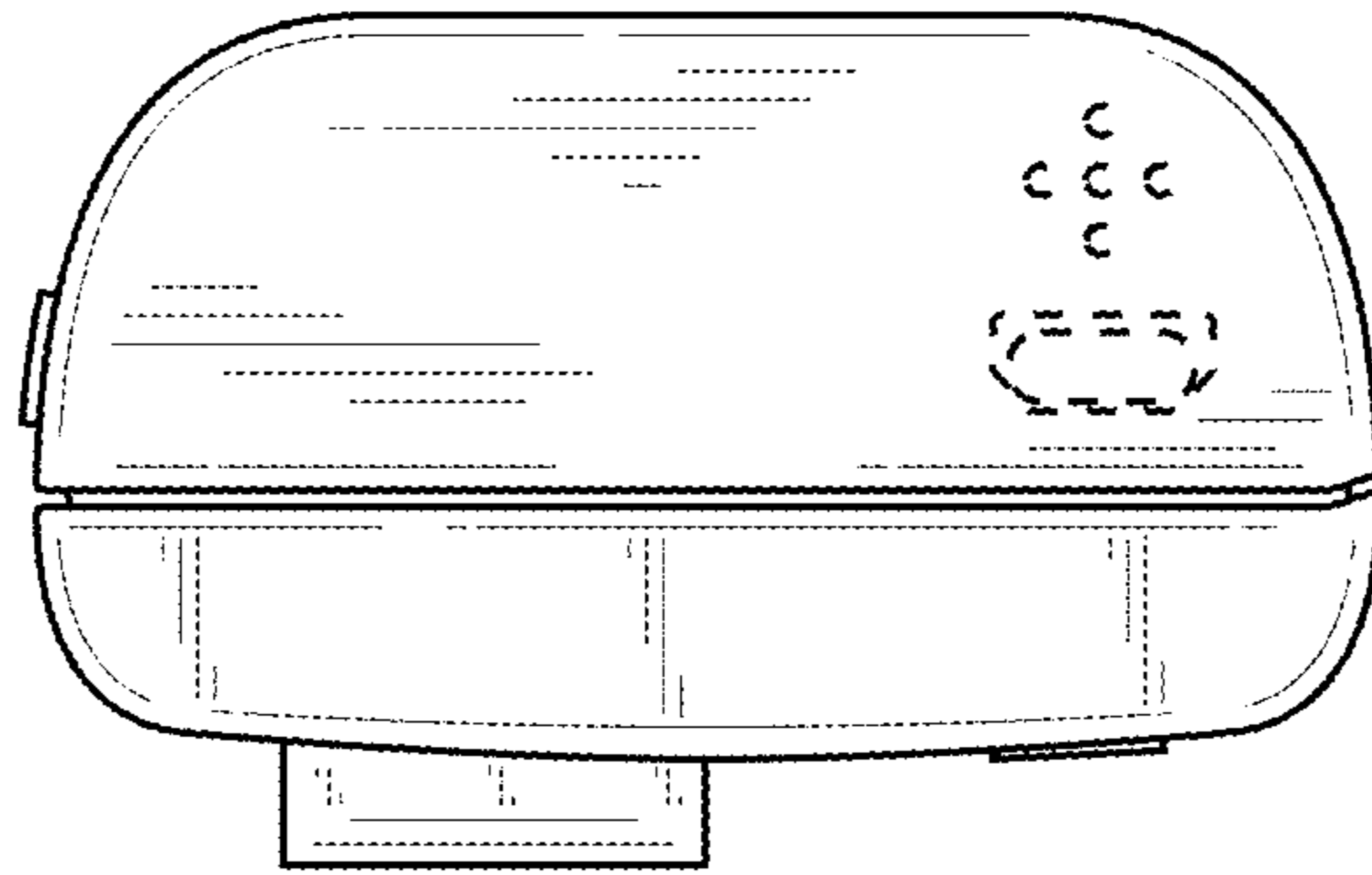
**FIG. 1**



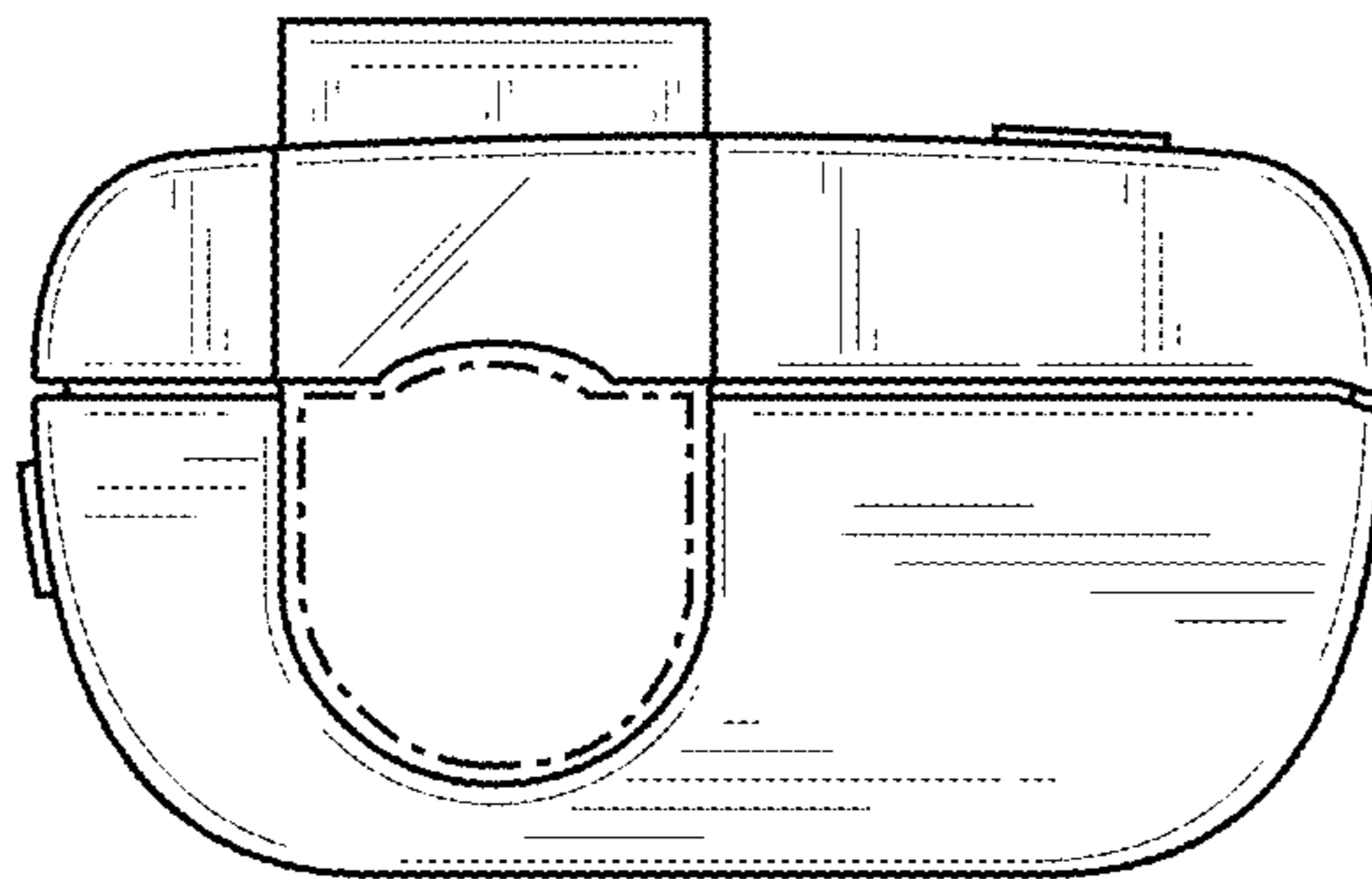
**FIG. 2**



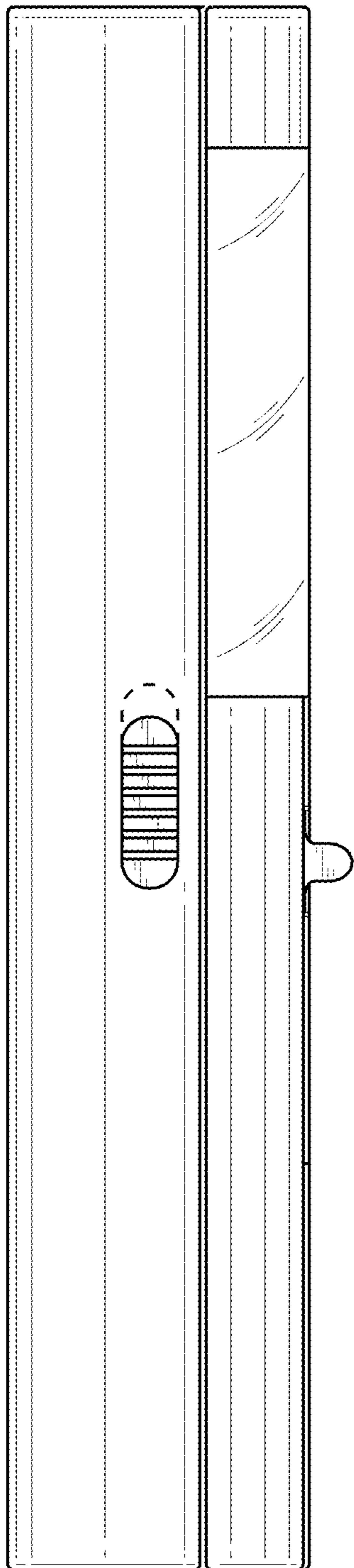
**FIG. 3**



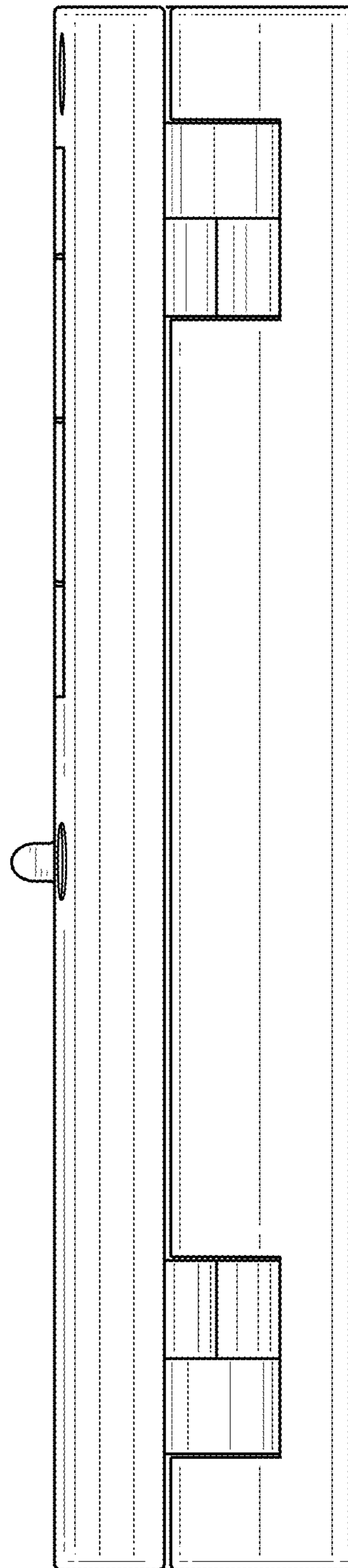
**FIG. 4**



**FIG. 5**



**FIG. 6**



**FIG. 7**