

US00D831819S

(12) **United States Design Patent**
Genender et al.

(10) **Patent No.:** **US D831,819 S**
(45) **Date of Patent:** **** Oct. 23, 2018**

(54) **IRRIGATOR**
(71) Applicant: **Medline Industries, Inc.**, Northfield, IL (US)
(72) Inventors: **Alan Genender**, Northbrook, IL (US);
Derek Roberts, Chicago, IL (US)
(73) Assignee: **Medline Industries, Inc.**, Northfield, IL (US)
(**) Term: **15 Years**

D365,146 S 12/1995 Olson
5,484,402 A 1/1996 Saravia
D381,965 S 8/1997 Atkinson
5,718,668 A 2/1998 Arnett
5,746,721 A 5/1998 Pasch
5,792,098 A 8/1998 Felix
5,792,167 A 8/1998 Kablik
5,810,770 A 9/1998 Chin
5,928,257 A 7/1999 Kablik
5,951,285 A 9/1999 Ho
6,007,556 A 12/1999 Kablik
6,022,329 A 2/2000 Arnett

(Continued)

(21) Appl. No.: **29/552,558**
(22) Filed: **Jan. 22, 2016**
(51) **LOC (11) Cl.** **24-01**
(52) **U.S. Cl.**
USPC **D24/108**
(58) **Field of Classification Search**
USPC D24/108, 110, 110.5, 111, 113, 133, 144;
D23/223-226, 228-229
CPC A61B 2217/007; A61B 2217/005; A61M
1/0058; A61M 3/0258; A61M 1/0064
See application file for complete search history.

FOREIGN PATENT DOCUMENTS

AU 737808 8/2001
EP 378434 7/1990

(Continued)

Primary Examiner — Eric L Goodman
Assistant Examiner — Lilyana Bekic
(74) *Attorney, Agent, or Firm* — Fitch, Even, Tabin & Flannery LLP

(56) **References Cited**

U.S. PATENT DOCUMENTS

D97,617 S * 11/1935 Rubens D24/144
3,433,227 A 3/1969 Kettenbach
3,993,054 A 11/1976 Newman
4,299,221 A 11/1981 Phillips
4,400,168 A 8/1983 Buechel
4,692,140 A 9/1987 Olson
5,046,486 A 9/1991 Grulke
5,230,704 A * 7/1993 Moberg A61M 1/0064
604/250
5,269,750 A 12/1993 Grulke
D350,194 S * 8/1994 Marino D24/108
5,460,604 A 10/1995 Arnett
5,464,390 A 11/1995 Arnett
5,470,305 A 11/1995 Arnett

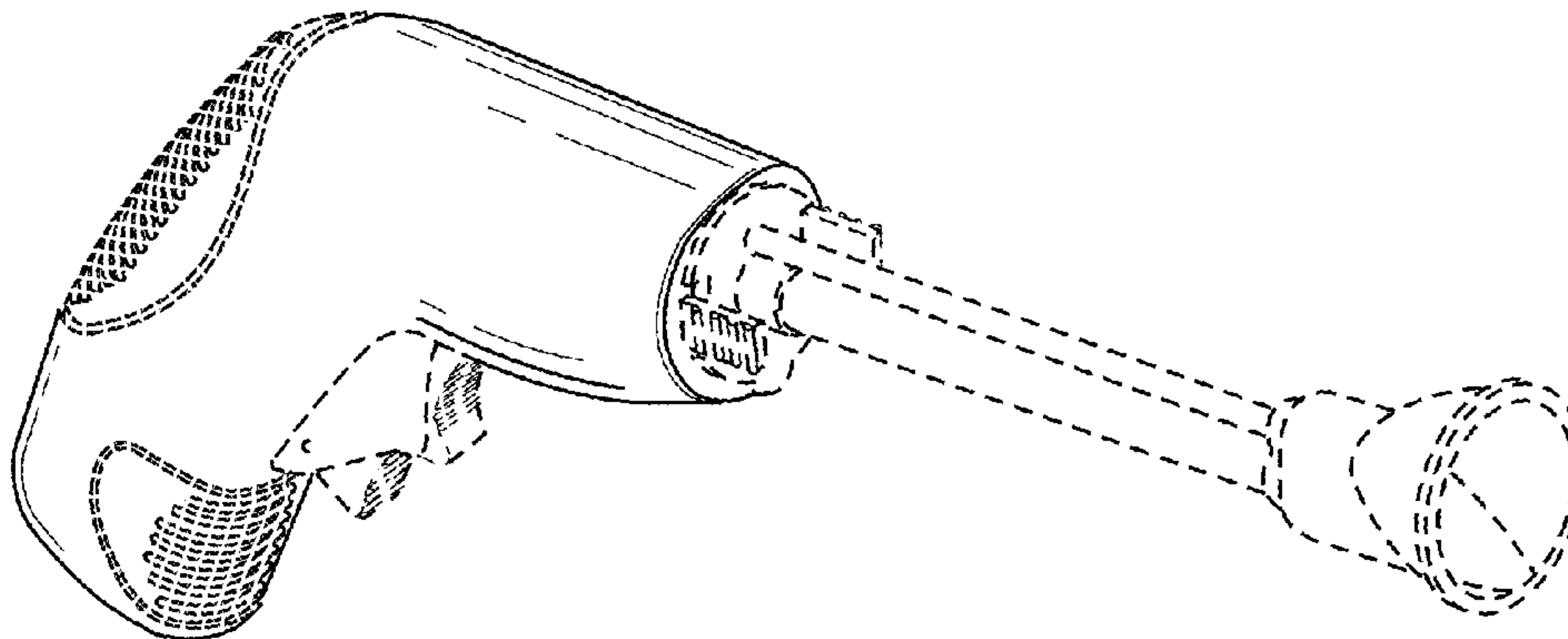
(57) **CLAIM**

The ornamental design for an irrigator, as shown and described.

DESCRIPTION

FIG. 1 is a perspective view showing an irrigator in accordance with our new design;
FIG. 2 is a front elevational view thereof;
FIG. 3 is a rear elevational view thereof;
FIG. 4 is a left side elevational view thereof;
FIG. 5 is a right side elevational view thereof;
FIG. 6 is a top plan view thereof; and,
FIG. 7 is a bottom plan view thereof.
The broken lines in the drawings depict portions of the irrigator that form no part of the claimed design.

1 Claim, 3 Drawing Sheets



US D831,819 S

(56)

References Cited

U.S. PATENT DOCUMENTS

6,059,754	A	5/2000	Pasch	
6,099,494	A	8/2000	Henniges	
6,117,150	A	9/2000	Pingleton	
6,149,622	A *	11/2000	Marie A61M 1/0043 604/119
6,155,824	A	12/2000	Kamen	
6,156,004	A	12/2000	Tremaine	
D436,165	S *	1/2001	Donaldson D24/113
6,179,807	B1	1/2001	Henniges	
6,200,292	B1	3/2001	French	
6,213,970	B1	4/2001	Nelson	
6,342,061	B1	1/2002	Kauker	
D453,376	S *	2/2002	McMahon D24/108
6,352,527	B1	3/2002	Henniges	
6,371,934	B1	4/2002	Jackson	
6,471,668	B2	10/2002	Henniges	
6,485,452	B1	11/2002	French	
6,623,445	B1	9/2003	Nelson	
6,652,488	B1	11/2003	Cover	
6,689,146	B1	2/2004	Himes	
D490,517	S	5/2004	Harmon	
D490,518	S	5/2004	Harmon	
6,746,419	B1	6/2004	Arnett	
D495,413	S *	8/2004	Perry D24/108
7,070,574	B2	7/2006	Jackson	
7,144,383	B2	12/2006	Arnett	
7,153,287	B2	12/2006	Henniges	

7,297,133	B2	11/2007	Nelson	
7,481,791	B2	1/2009	Cover	
7,717,931	B2	5/2010	Himes	
8,475,481	B2	7/2013	Himes	
D703,337	S *	4/2014	Fuhr D24/200
2008/0033348	A1 *	2/2008	Bidoia A61M 1/0064 604/35
2012/0035545	A1 *	2/2012	Schwarz A61M 3/0258 604/151
2013/0066261	A1 *	3/2013	Henniges A61M 3/005 604/43
2015/0182685	A1 *	7/2015	Henniges A61M 1/0064 604/43
2015/0258257	A1 *	9/2015	Kidman A61M 1/0064 604/310
2015/0335813	A1 *	11/2015	Qian A61M 3/022 604/34
2016/0067401	A1 *	3/2016	Henniges A61M 3/0258 604/35

FOREIGN PATENT DOCUMENTS

EP	809520	4/1999
EP	907385	8/2004
EP	1477194	11/2004
EP	906130	6/2005
WO	1997048426	12/1997
WO	1997048427	12/1997

* cited by examiner

FIG. 1

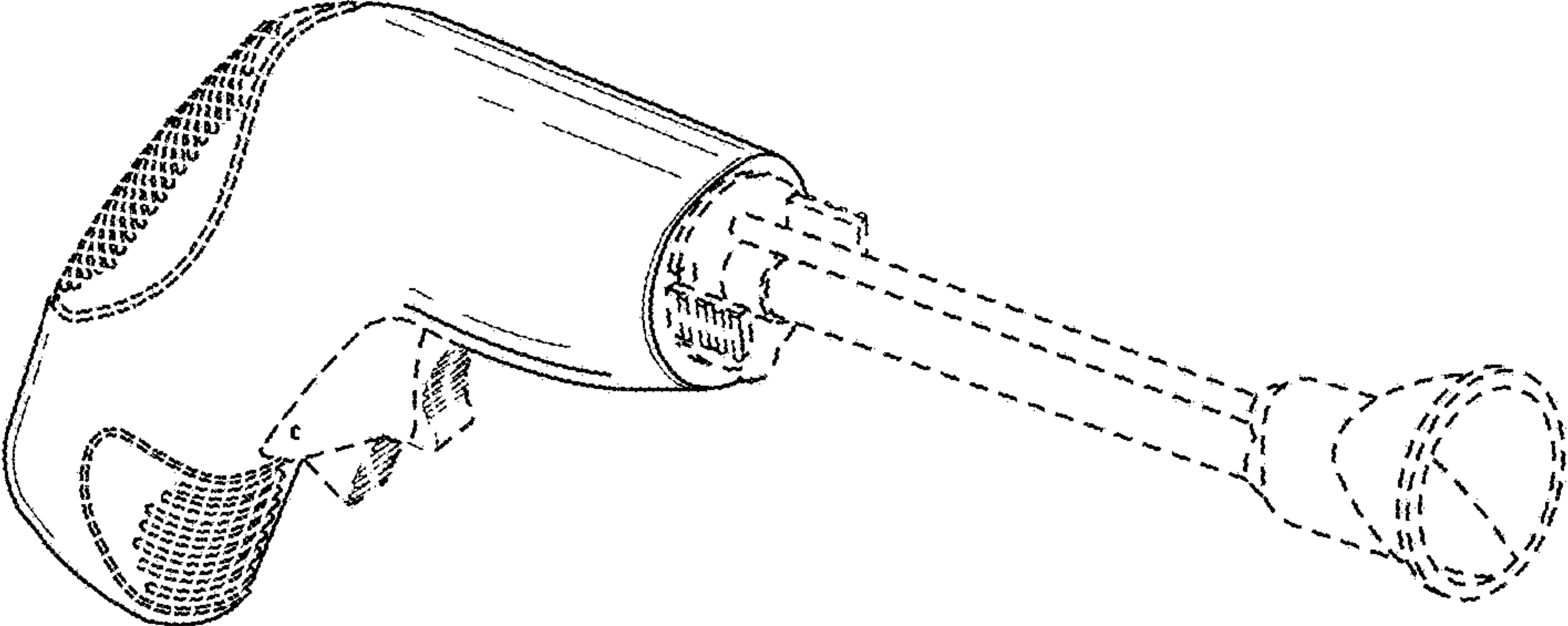


FIG. 2

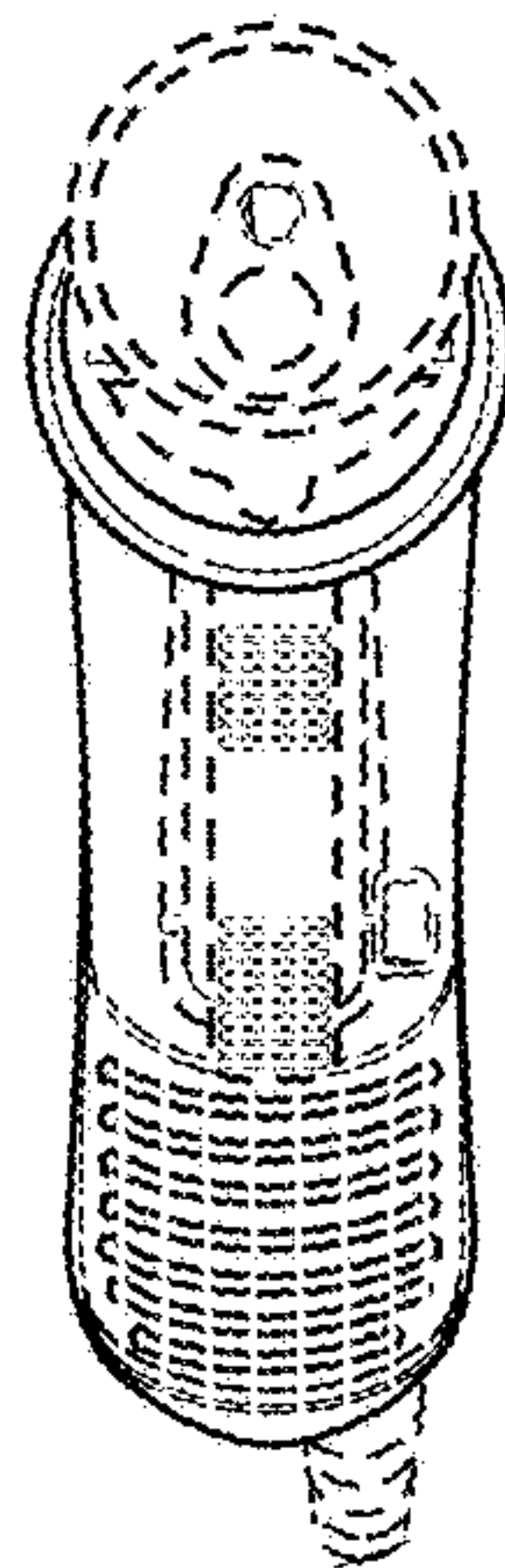


FIG. 3

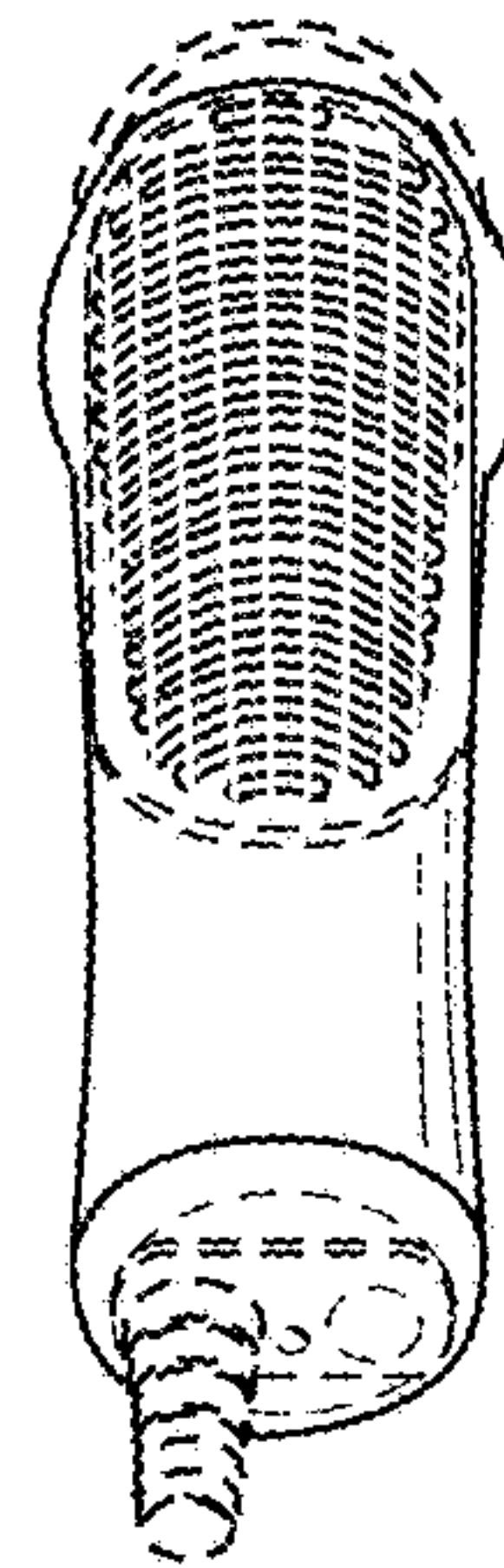


FIG. 4

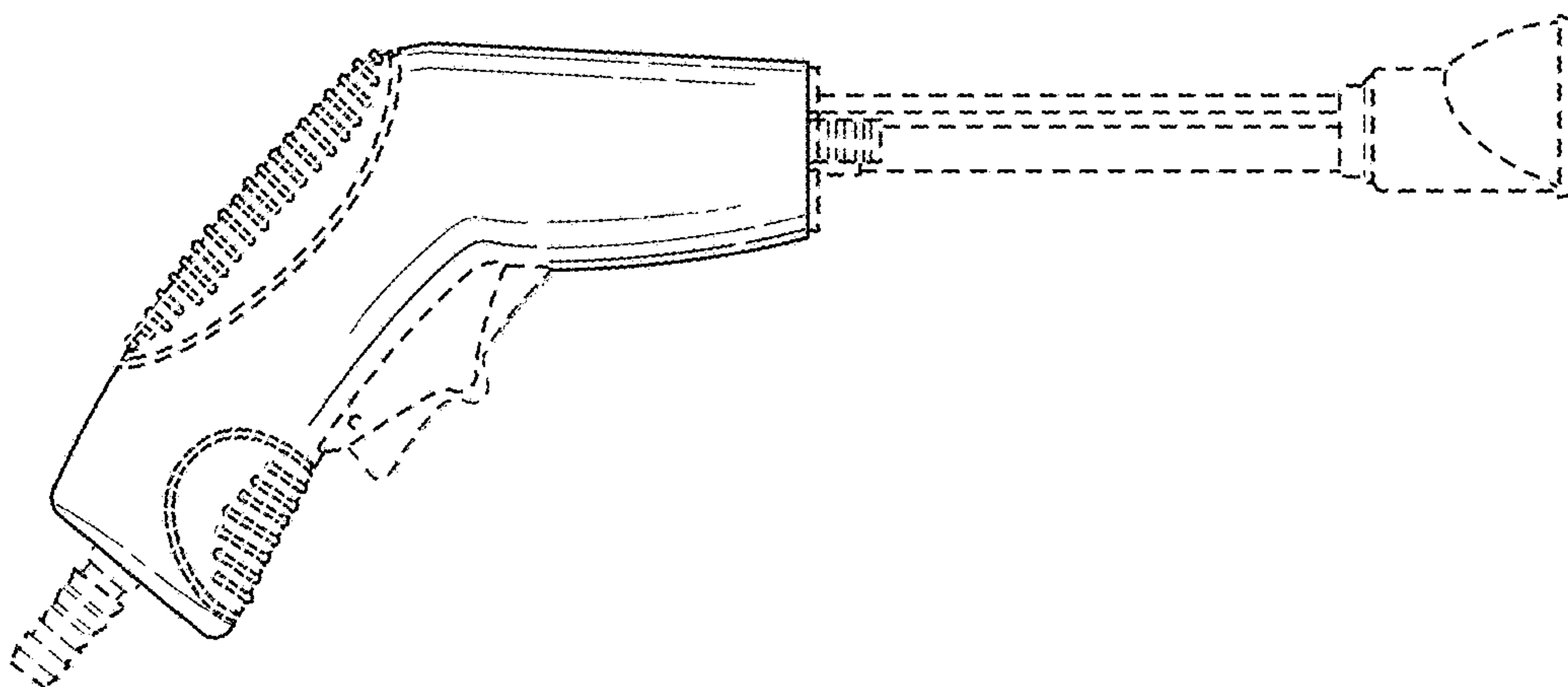


FIG. 5

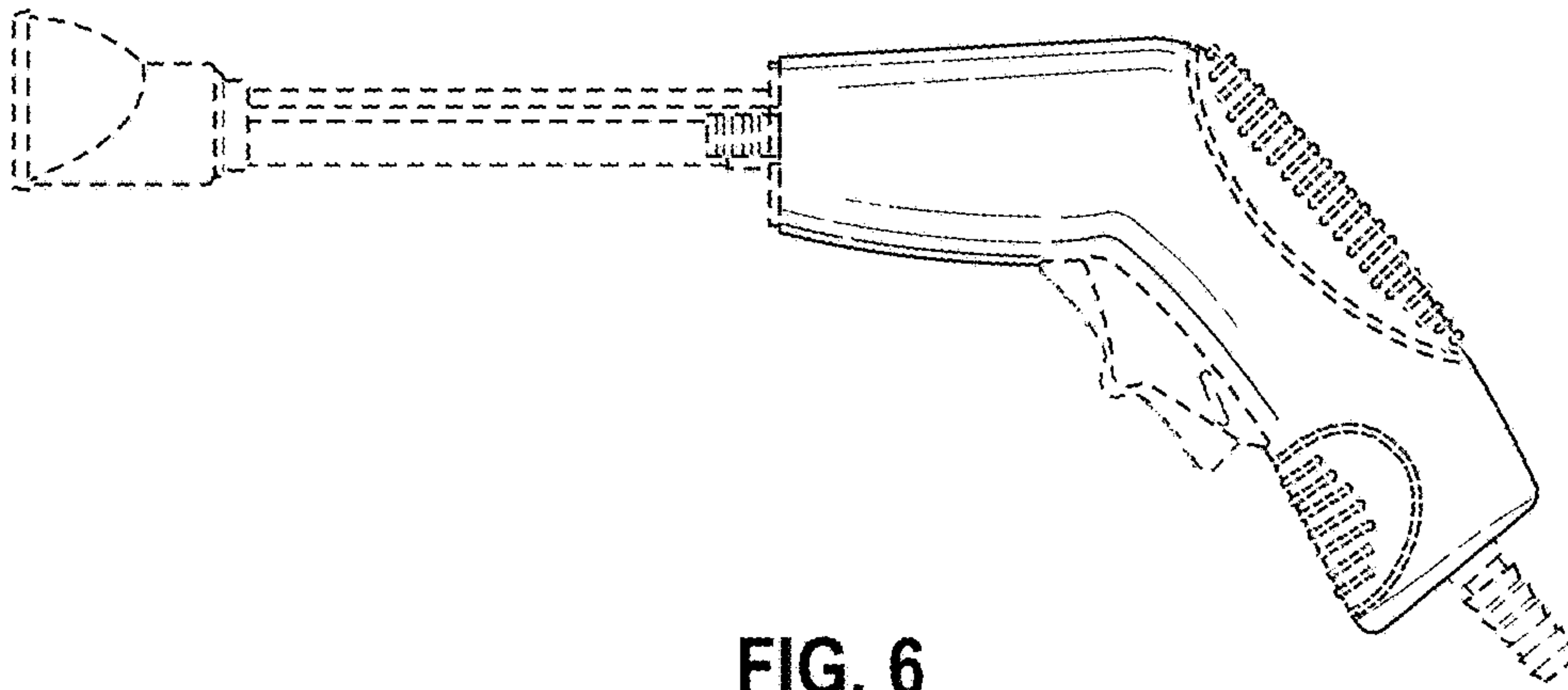


FIG. 6

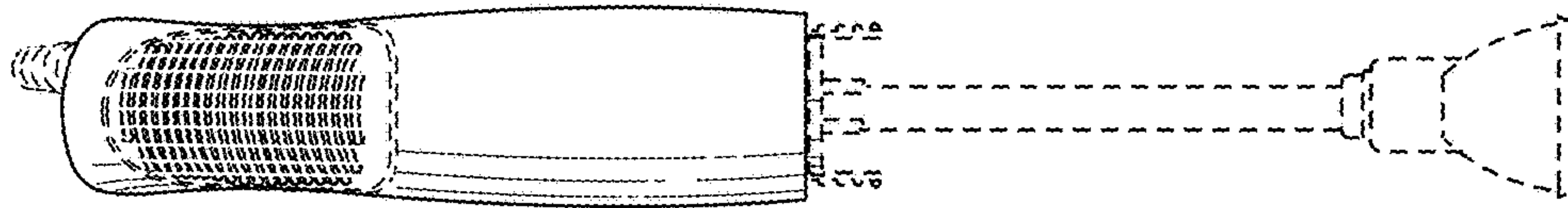


FIG. 7

