

US00D831818S

(12) **United States Design Patent**  
**Biancuzzo**

(10) **Patent No.:** **US D831,818 S**

(45) **Date of Patent:** **\*\* Oct. 23, 2018**

(54) **CEILING FAN BLADE WITH BLADE IRON**

D776,251 S \* 1/2017 Pickett ..... D23/413  
D799,687 S \* 10/2017 Wang ..... D23/413  
D801,516 S \* 10/2017 Wang ..... D23/413

(71) Applicant: **YOUNGO LIMITED**, Central (HK)

\* cited by examiner

(72) Inventor: **Francisco Biancuzzo**, Fort Lauderdale, FL (US)

*Primary Examiner* — Janice Hallmark

(73) Assignee: **YOUNGO LIMITED**, Central (HK)

(74) *Attorney, Agent, or Firm* — Muncy, Geissler, Olds & Lowe, P.C.

(\*\*) Term: **15 Years**

(57) **CLAIM**

(21) Appl. No.: **29/597,389**

The ornamental design for a ceiling fan blade with blade iron, as shown and described.

(22) Filed: **Mar. 16, 2017**

**DESCRIPTION**

(51) **LOC (11) Cl.** ..... **23-04**

FIG. 1 is a perspective view of a ceiling fan blade with blade iron in accordance with my design;

(52) **U.S. Cl.**  
USPC ..... **D23/413**

FIG. 2 is an enlarged perspective view of the ceiling fan blade with blade iron in accordance with my design;

(58) **Field of Classification Search**  
USPC ..... D23/370, 377, 379, 381, 382, 385, 411,  
D23/413, 414, 332, 328; D26/59  
CPC ..... F04D 25/08; F04D 29/388; F04D 29/34;  
F04D 25/088; H02K 1/187  
See application file for complete search history.

FIG. 3 is a front side view of the ceiling fan blade with blade iron in accordance with my design;

FIG. 4 is a rear side view of the ceiling fan blade with blade iron in accordance with my design;

FIG. 5 is a left side view of the ceiling fan blade with blade iron in accordance with my design;

FIG. 6 is a right side view of the ceiling fan blade with blade iron in accordance with my design;

FIG. 7 is a top plan view of the ceiling fan blade with blade iron in accordance with my design; and,

FIG. 8 is a bottom plan view of the ceiling fan blade with blade iron in accordance with my design.

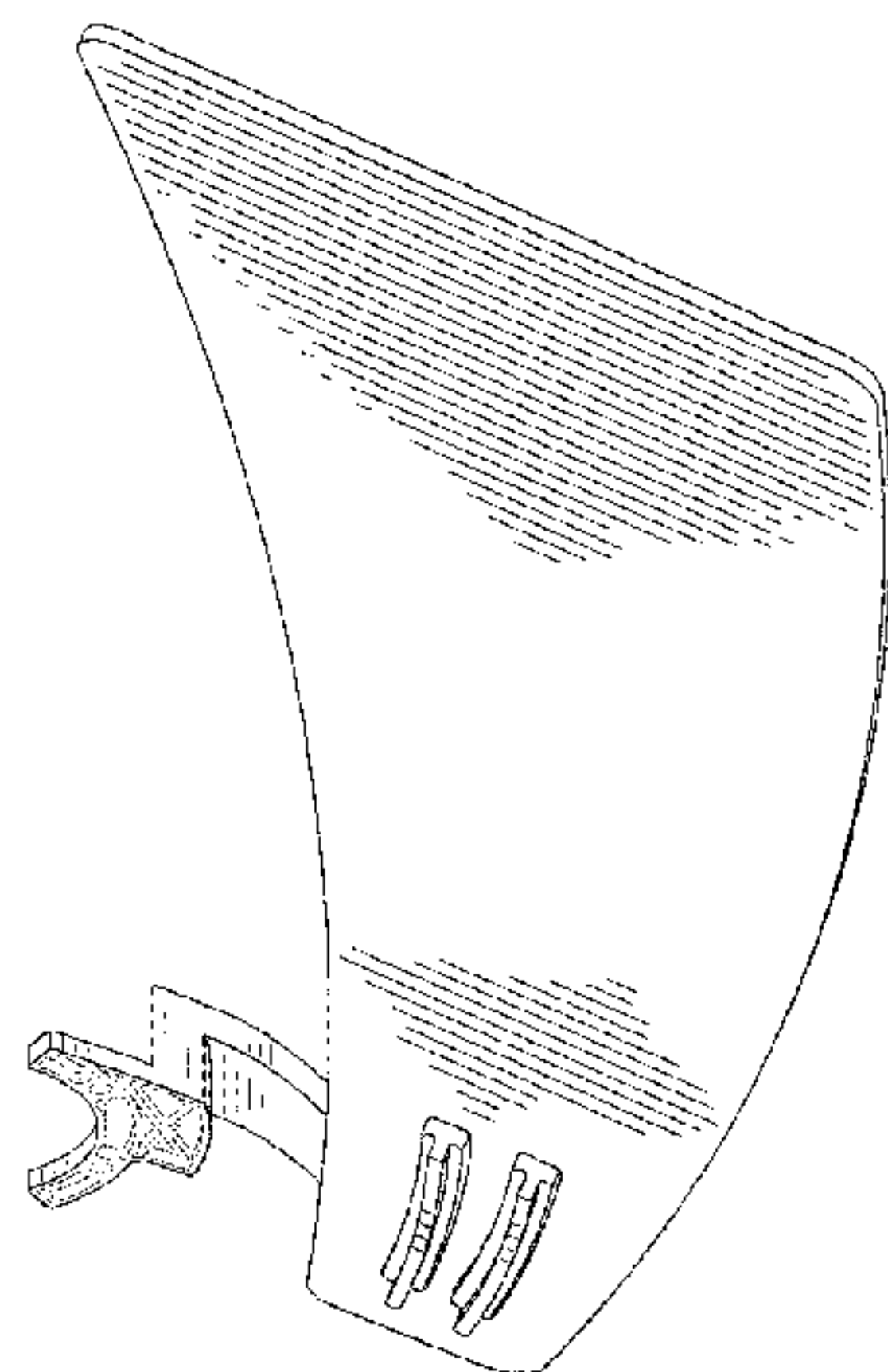
The broken lines showing structural features are for illustrative purposes only and form no part of the claimed design.

(56) **References Cited**

U.S. PATENT DOCUMENTS

D482,117 S \* 11/2003 Friedes ..... D23/413  
D706,411 S \* 6/2014 Wang ..... D23/413  
D744,083 S \* 11/2015 Wang ..... D23/413  
D744,084 S \* 11/2015 Wang ..... D23/413  
D745,133 S \* 12/2015 Wang ..... D23/413  
D745,658 S \* 12/2015 Wang ..... D23/413

**1 Claim, 7 Drawing Sheets**



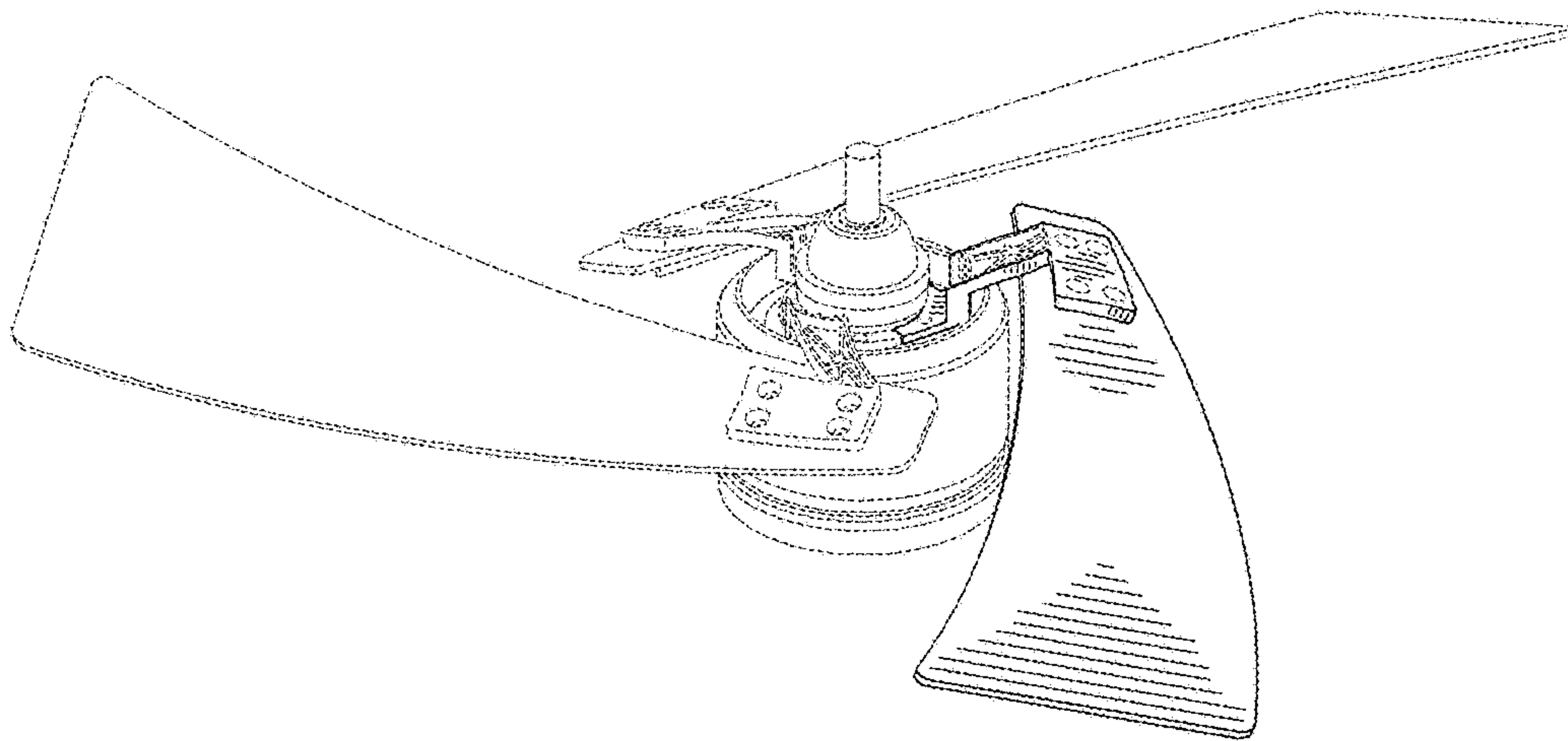


FIG. 1

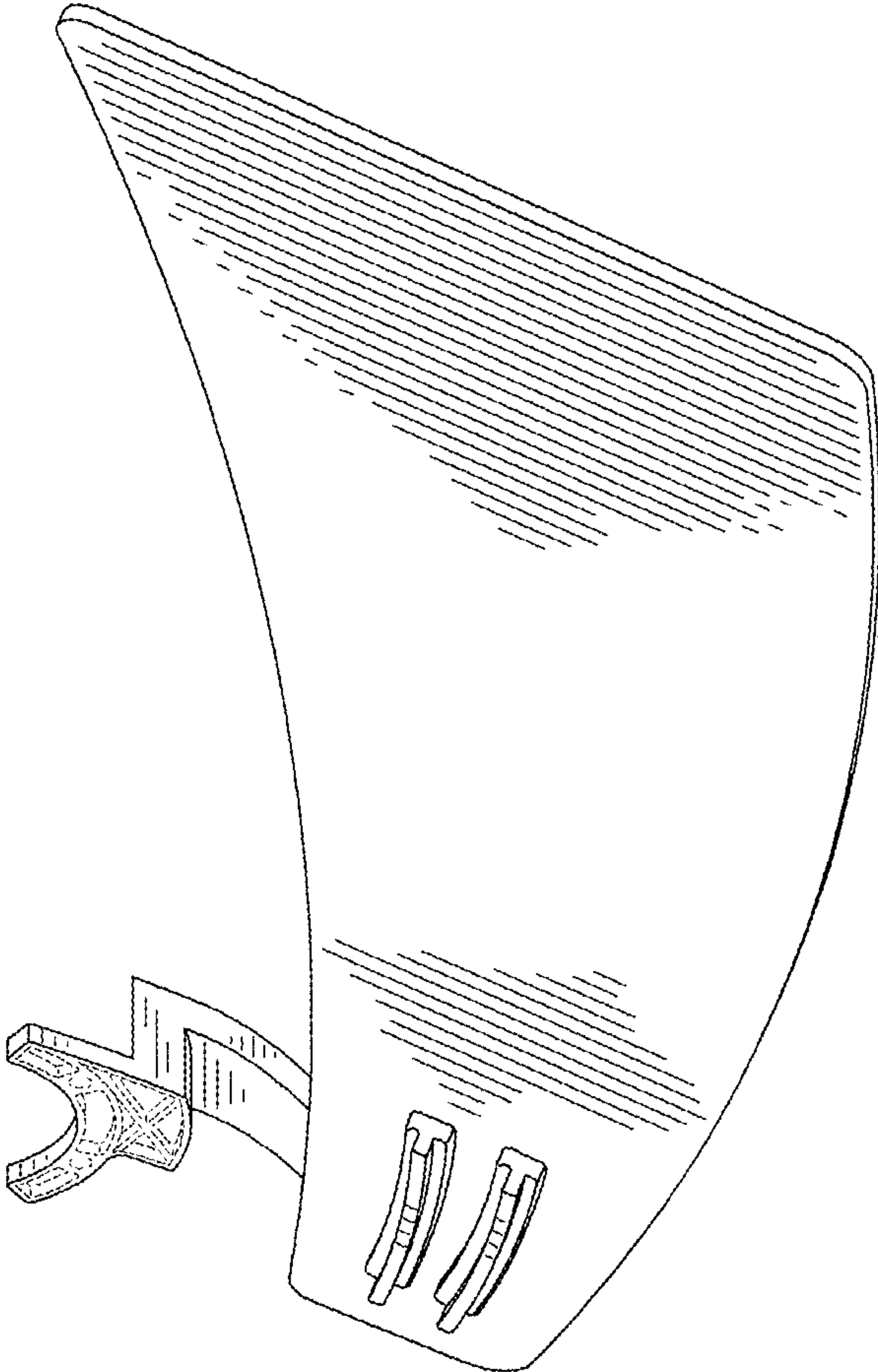


FIG. 2

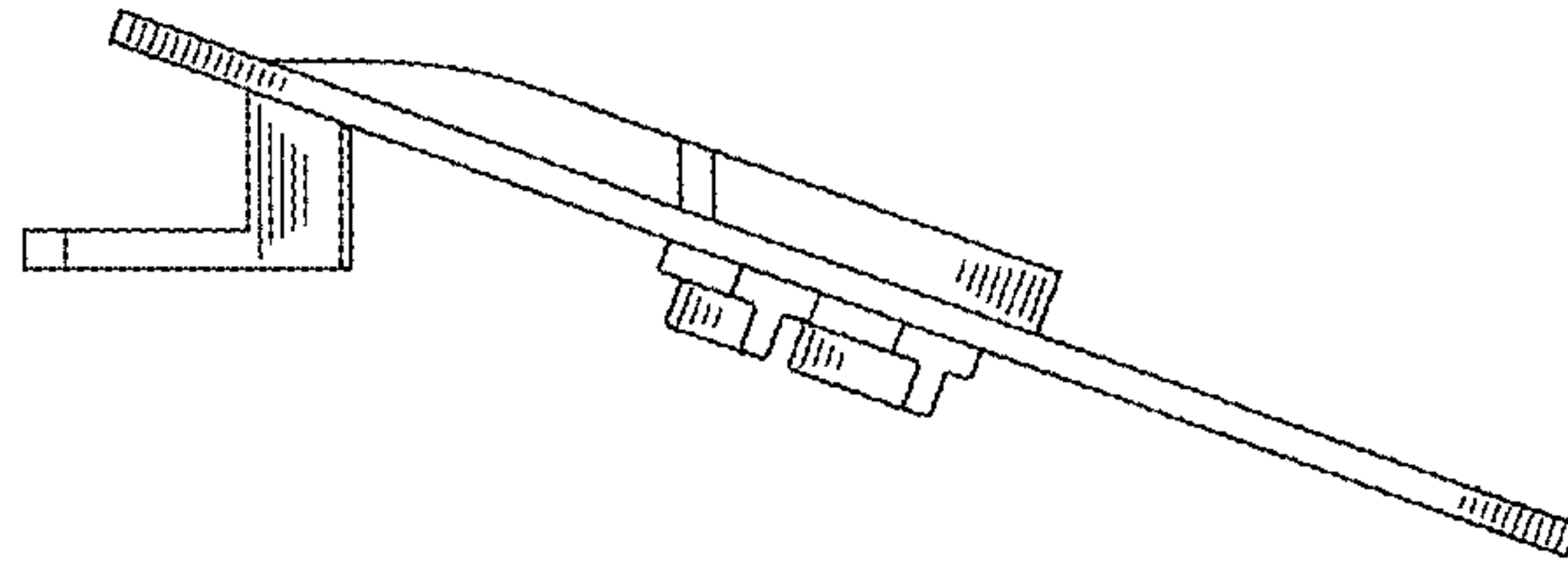


FIG. 3

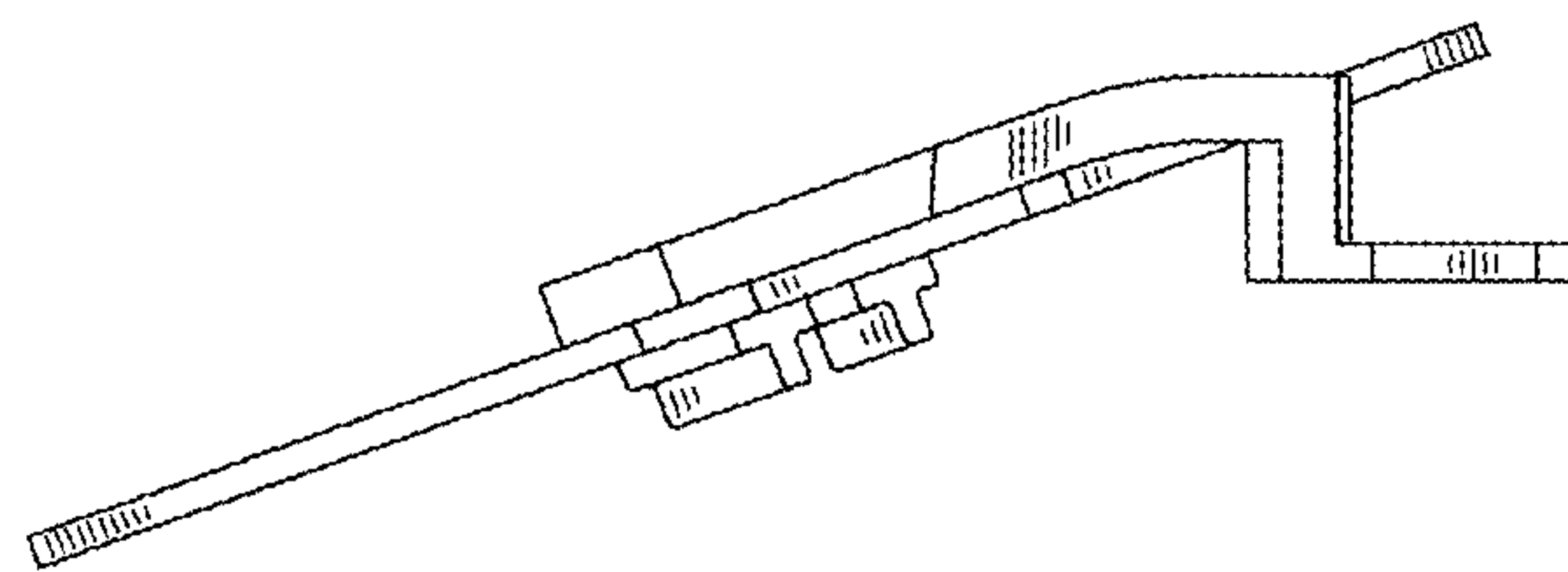


FIG. 4

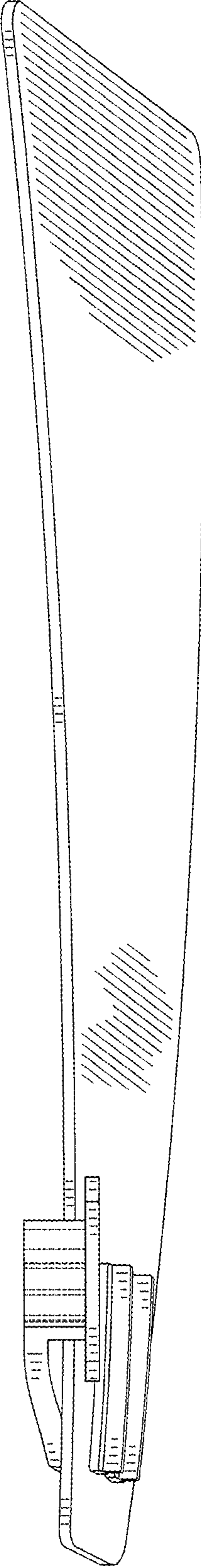


FIG. 5

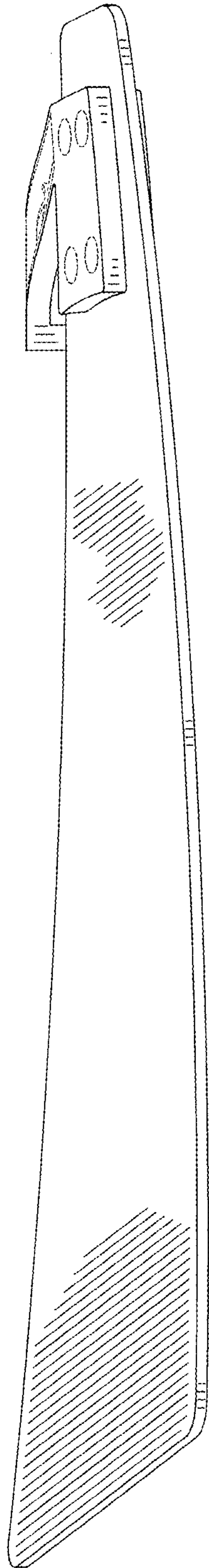


FIG. 6



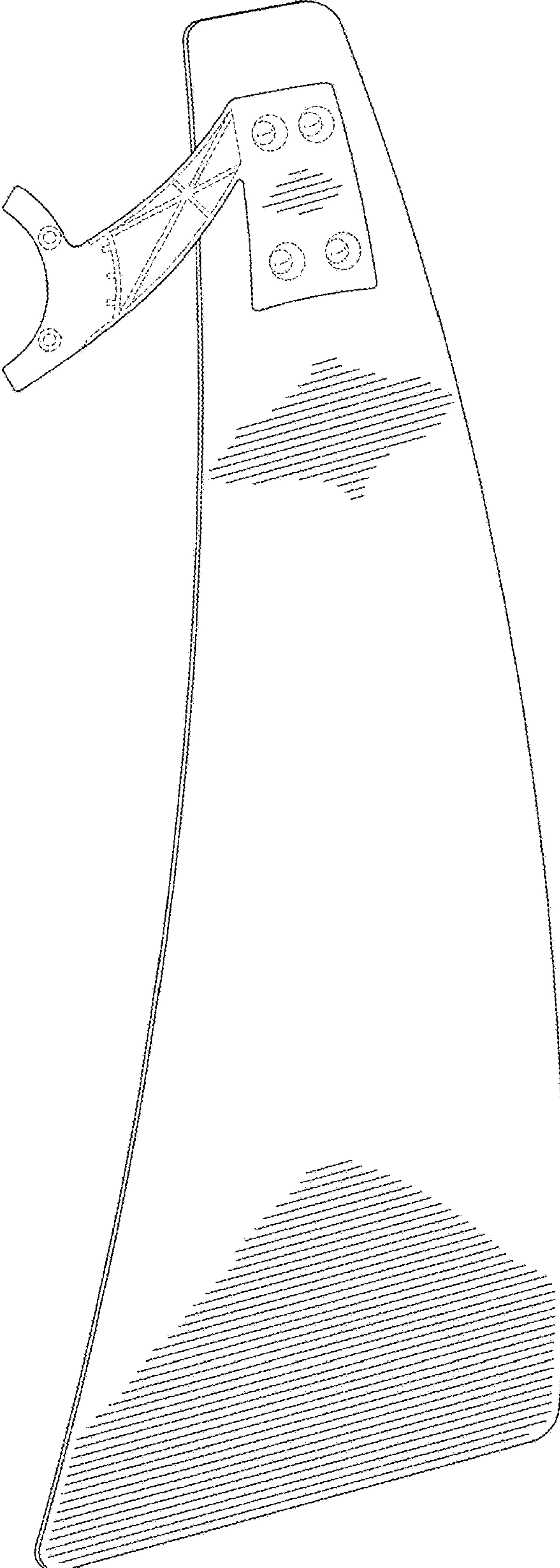


FIG. 7

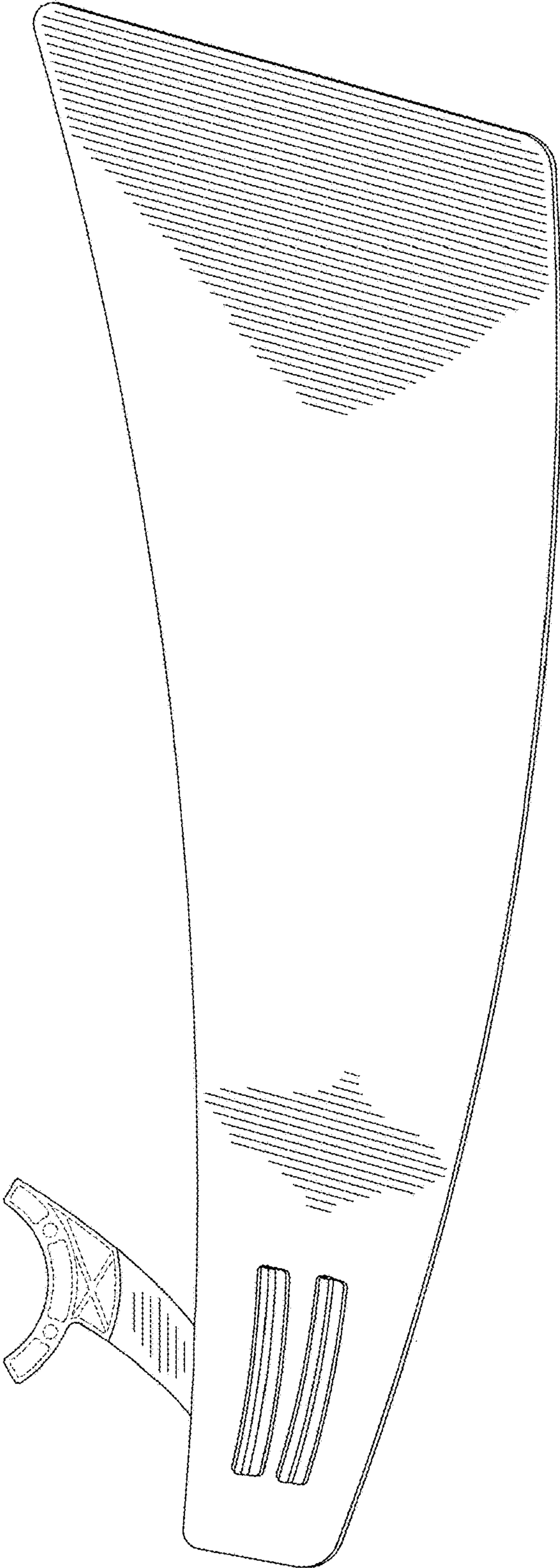


FIG. 8