



US00D831816S

(12) **United States Design Patent** (10) **Patent No.:** **US D831,816 S**
Baek et al. (45) **Date of Patent:** **** Oct. 23, 2018**

(54) **FAN**
(71) Applicant: **LG ELECTRONICS INC.**, Seoul (KR)
(72) Inventors: **Seungho Baek**, Seoul (KR); **Huijae Kwon**, Seoul (KR); **Minha Lee**, Seoul (KR); **Hyein Jung**, Seoul (KR); **Yunseo Jang**, Seoul (KR)
(73) Assignee: **LG ELECTRONICS INC.**, Seoul (KR)
(**) Term: **15 Years**
(21) Appl. No.: **35/503,473**
(22) Filed: **Feb. 9, 2017**
(80) **Hague Agreement Data**
Int. Filing Date: **Feb. 9, 2017**
Int. Reg. No.: **DM/094854**
Int. Reg. Date: **Feb. 9, 2017**
Int. Reg. Pub. Date: **Aug. 11, 2017**
(30) **Foreign Application Priority Data**
Aug. 12, 2016 (KR) 30-2016-0039734
(51) **LOC (11) Cl.** **23-04**
(52) **U.S. Cl.**
USPC **D23/378**
(58) **Field of Classification Search**
USPC D23/370, 355, 314, 414, 371, 377, 385, D23/411, 383, 373, 378, 379, 380, 381, D23/382, 356, 359, 360, 361, 362, 364, D23/366; D28/11, 12, 17; D24/200, 201
CPC F04D 29/329; F04D 29/526; F04D 29/325; F04D 29/703; F04D 29/547; F04D 25/082; F04D 25/00; F04D 25/10; F04D

25/08; F04D 25/105; F04D 25/166; B65D 90/36; F23L 17/02; F23L 17/04; F24F 13/1406; F24F 1/02
See application file for complete search history.

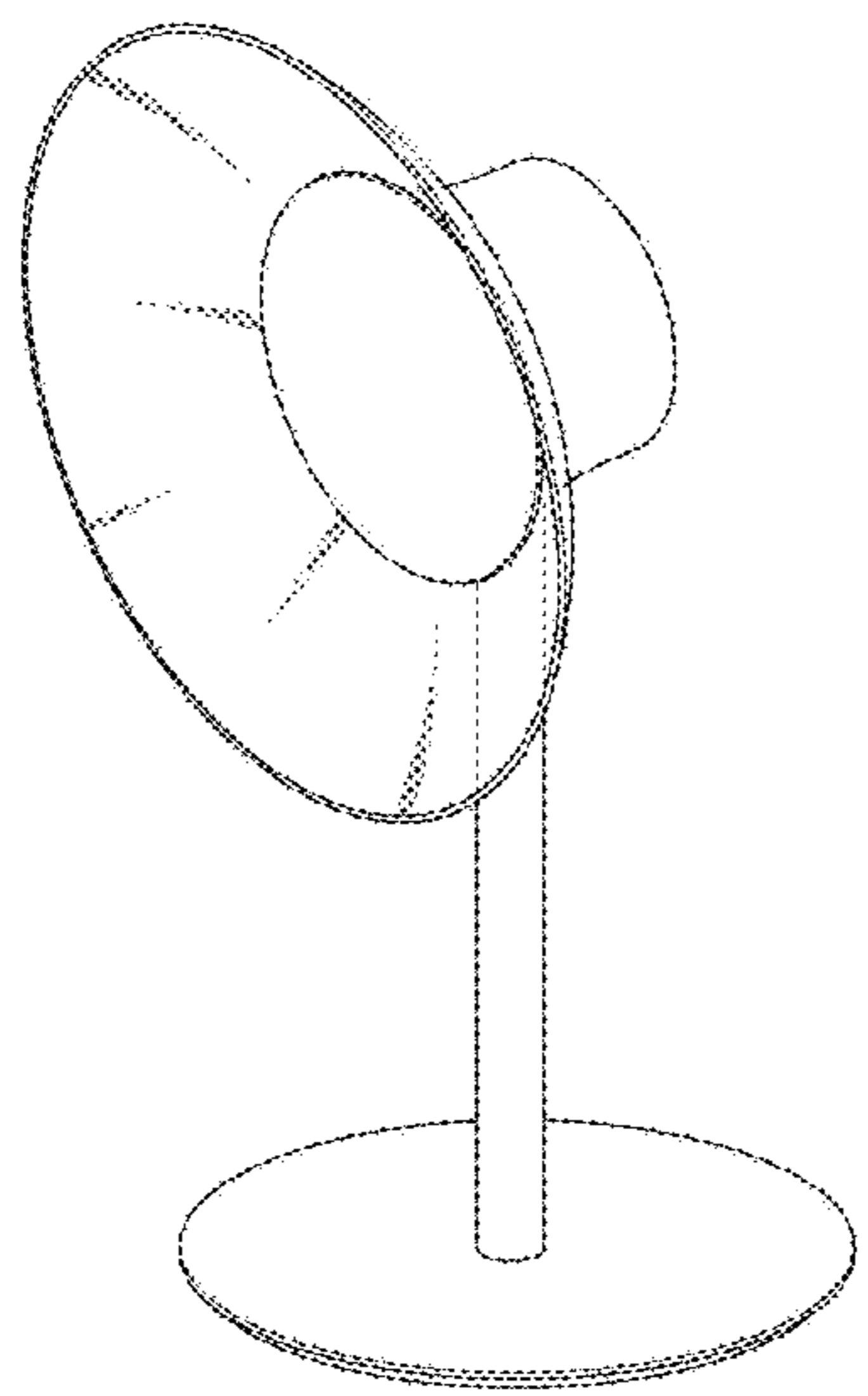
(56) **References Cited**
U.S. PATENT DOCUMENTS
D70,434 S * 6/1926 Landberg D28/12
D184,706 S * 3/1959 Blount et al. D28/17
D451,180 S * 11/2001 Hoare D23/356
D511,570 S * 11/2005 Ke D23/378
D614,280 S * 4/2010 Dyson D23/370
D676,124 S * 2/2013 Almanza D23/378
D684,250 S * 6/2013 Hubert D23/356
D782,641 S * 3/2017 Poulton D23/370
9,797,414 B2 * 10/2017 Hodgson F04F 5/48
D802,732 S * 11/2017 Kim D23/378
D802,733 S * 11/2017 Kim D23/378
D802,734 S * 11/2017 Kim D23/378
D802,737 S * 11/2017 Kim D23/378
D802,741 S * 11/2017 Kim D23/378
D803,381 S * 11/2017 Kim D23/378
D803,382 S * 11/2017 Kim D23/378
9,816,531 B2 * 11/2017 Simmonds F04D 29/703
9,926,804 B2 * 3/2018 Nicolas F01D 25/00
(Continued)

Primary Examiner — Melanie Pellegrini
(74) *Attorney, Agent, or Firm* — Birch, Stewart, Kolasch & Birch, LLP

(57) **CLAIM**
The ornamental design for a fan, as shown and described.

DESCRIPTION
1. Fan
Fig. 1.1 perspective
Fig. 1.2 front
Fig. 1.3 rear
Fig. 1.4 left side
Fig. 1.5 right side
Fig. 1.6 top
Fig. 1.7 bottom

1 Claim, 7 Drawing Sheets



(56)

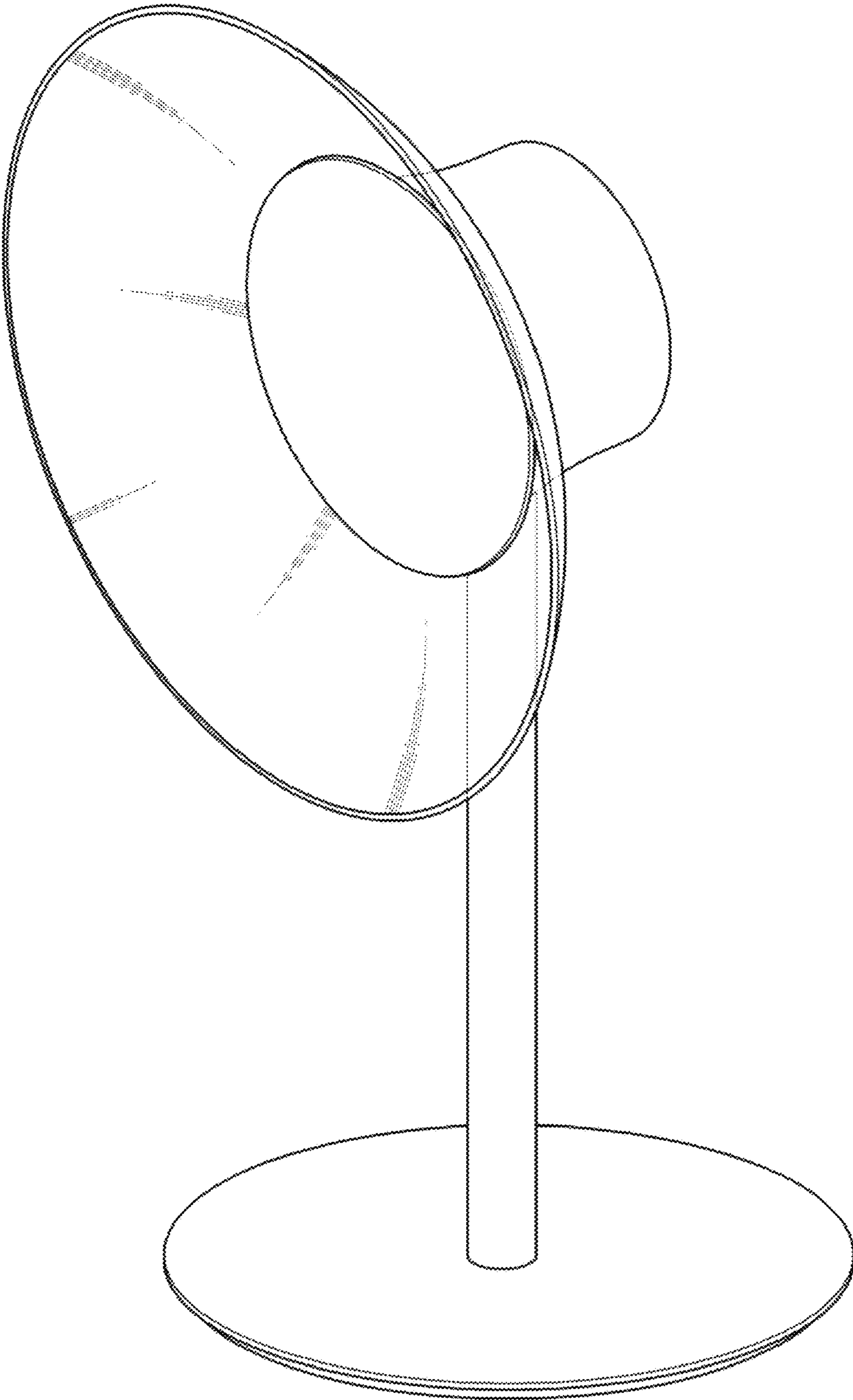
References Cited

U.S. PATENT DOCUMENTS

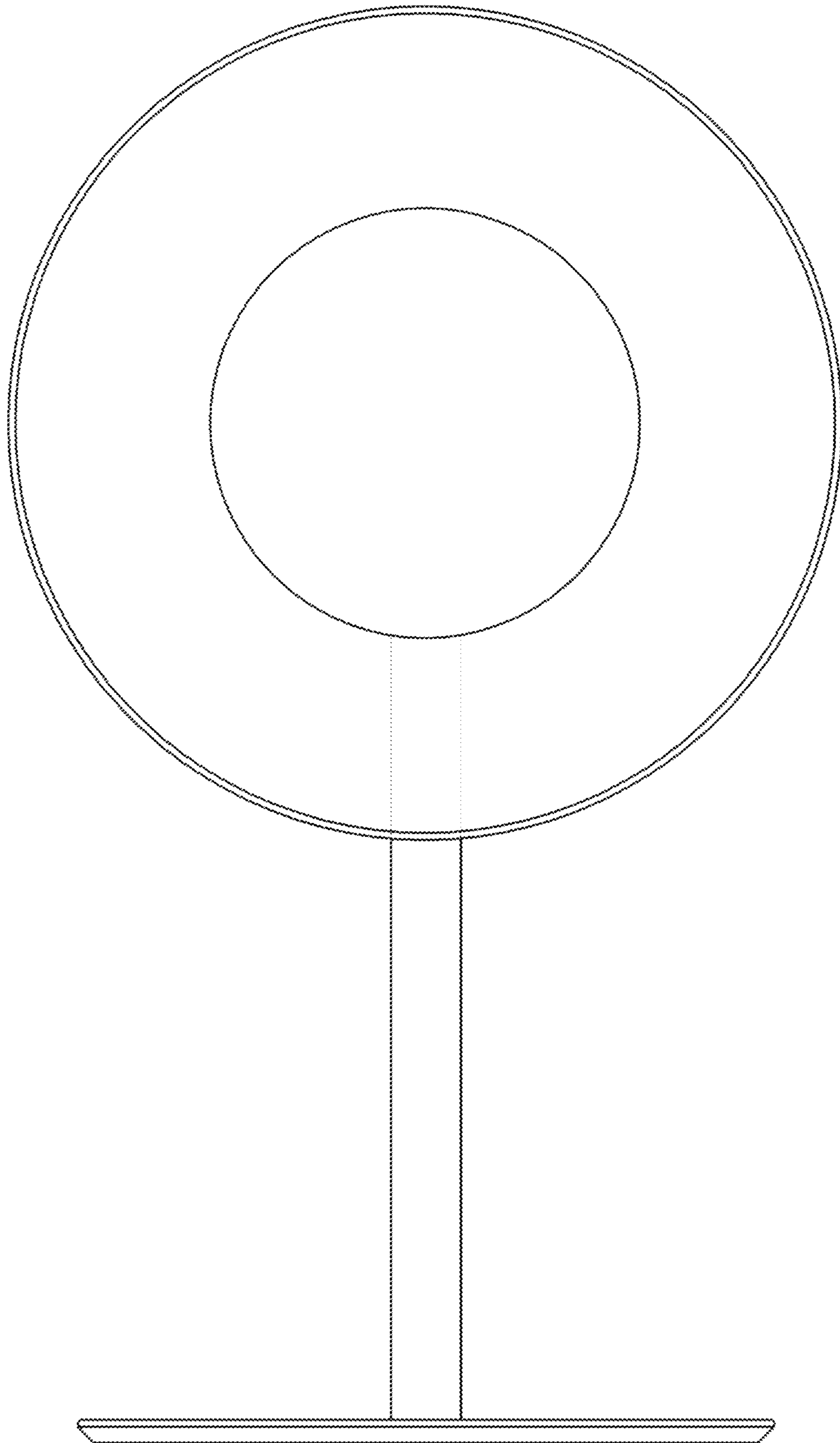
2010/0226754 A1* 9/2010 Hutton F24F 7/065
415/90
2016/0215782 A1* 7/2016 Xie F04D 25/08

* cited by examiner

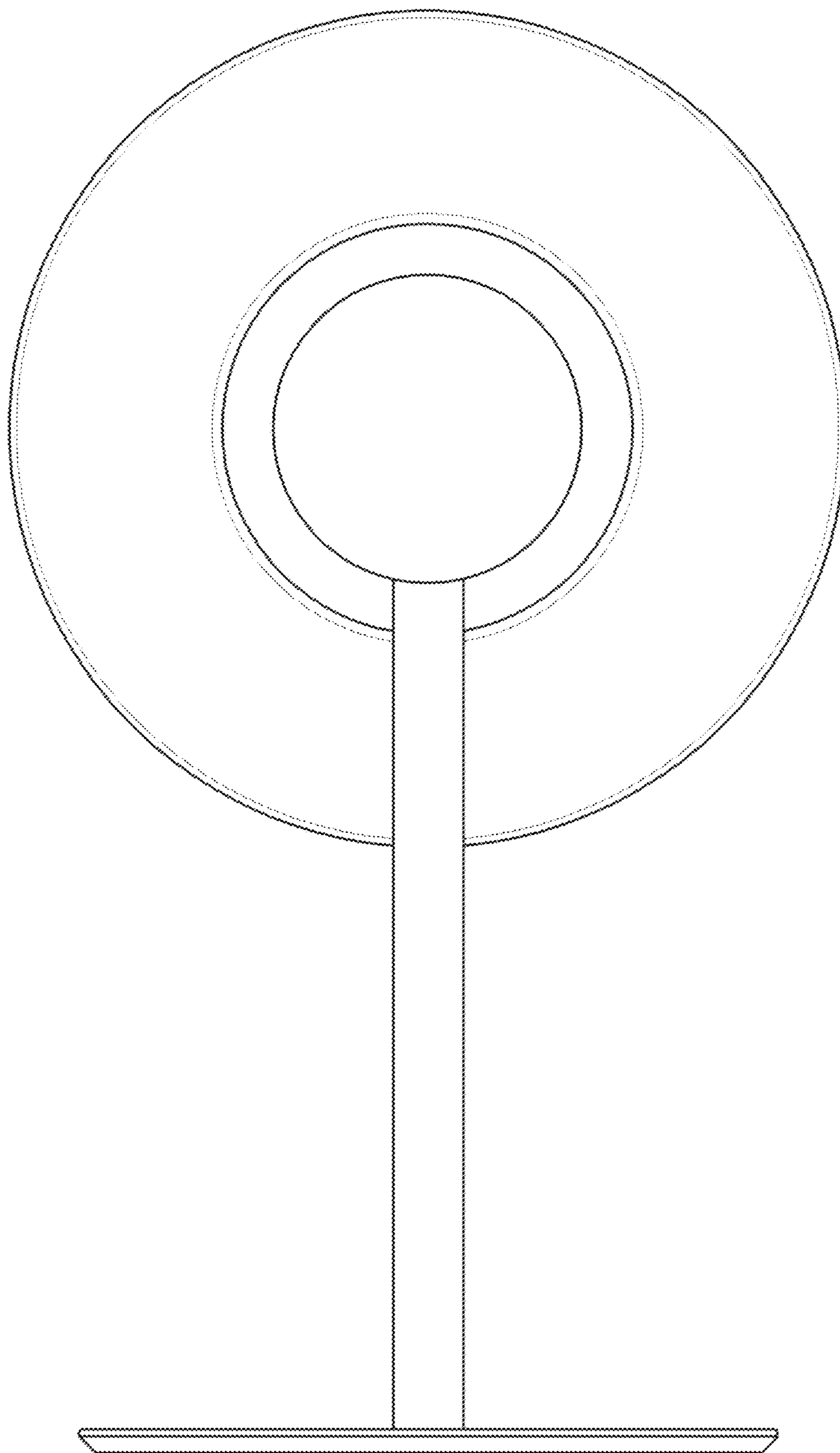
1.1



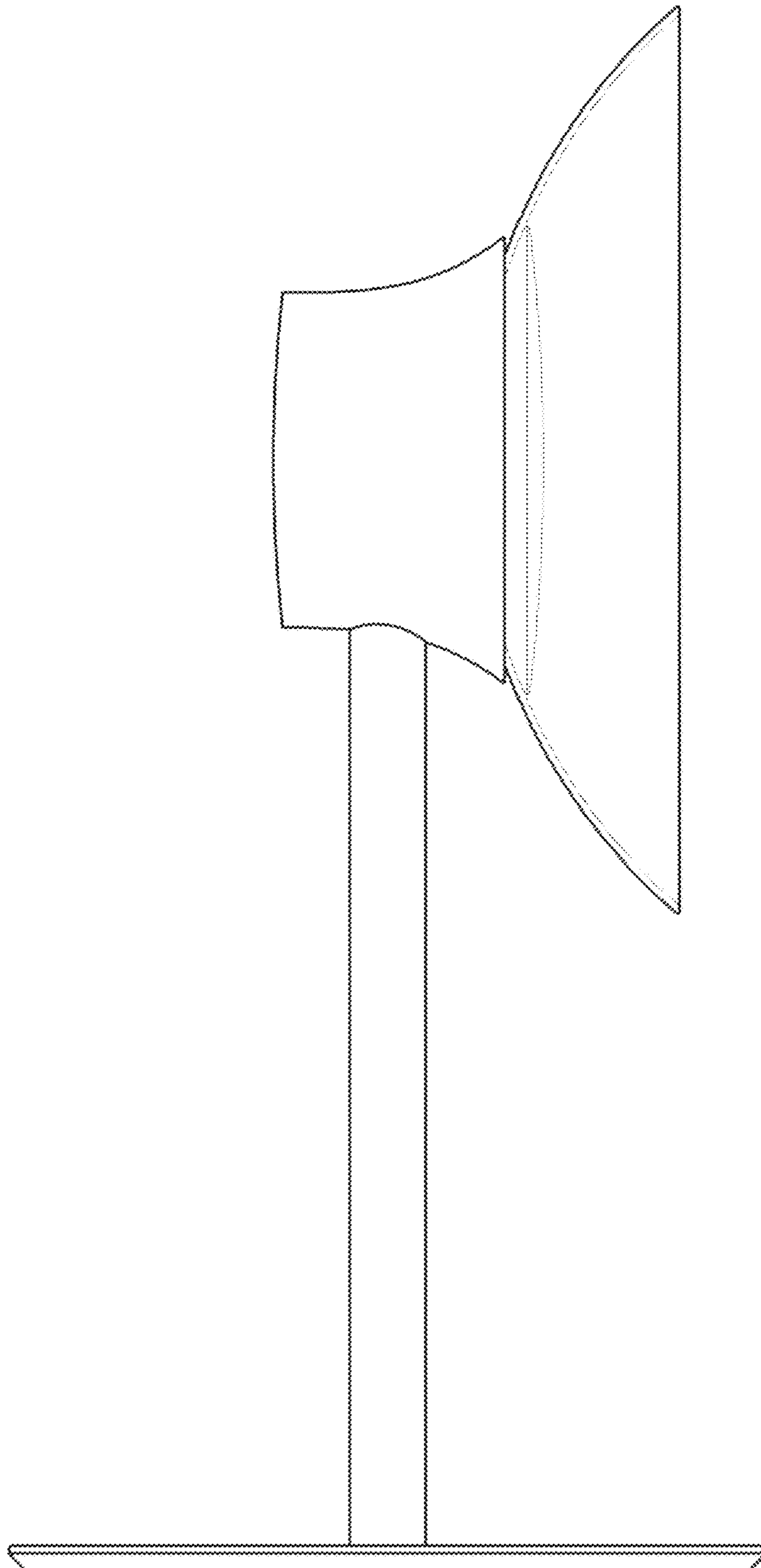
1.2



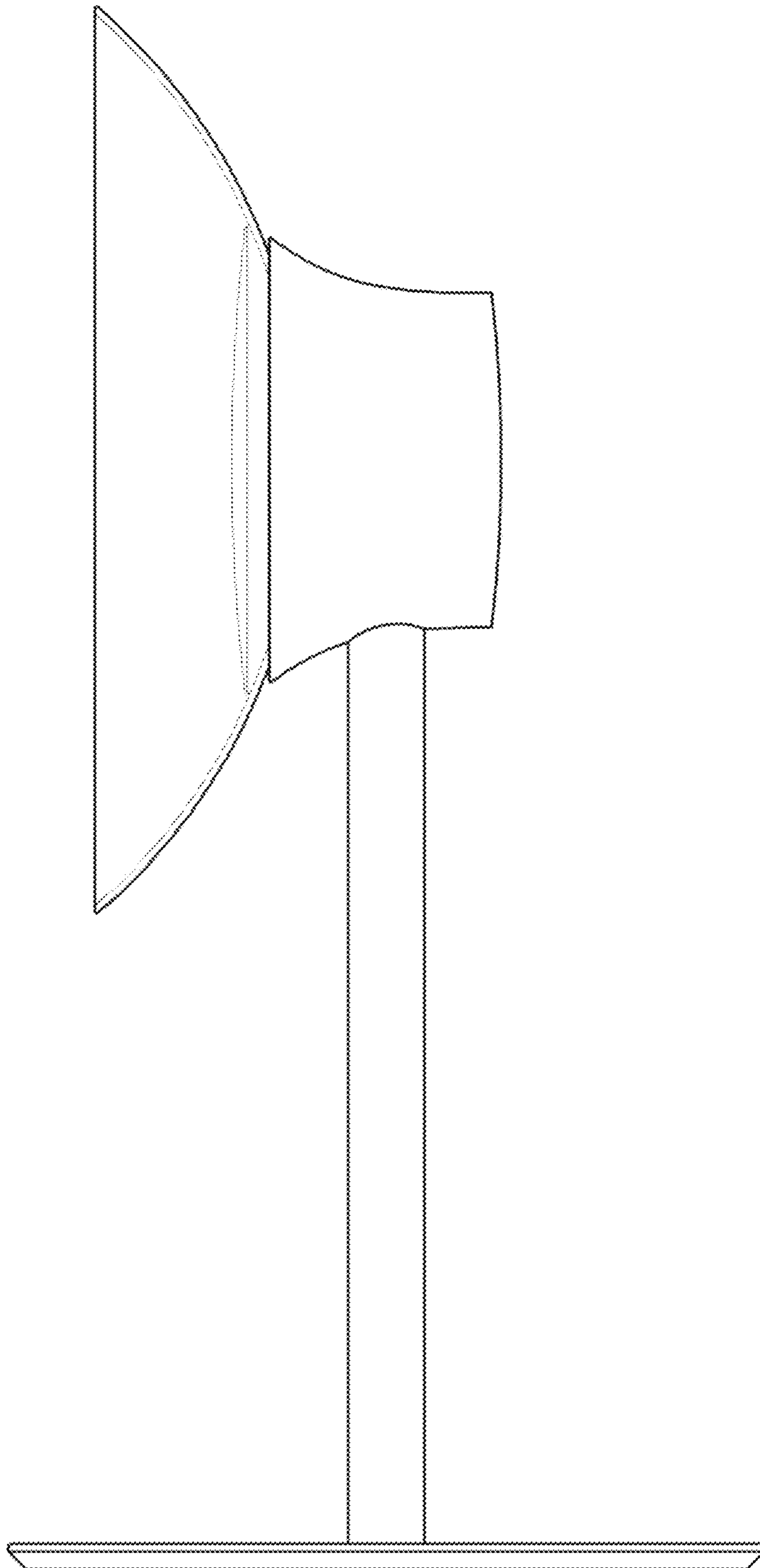
1.3



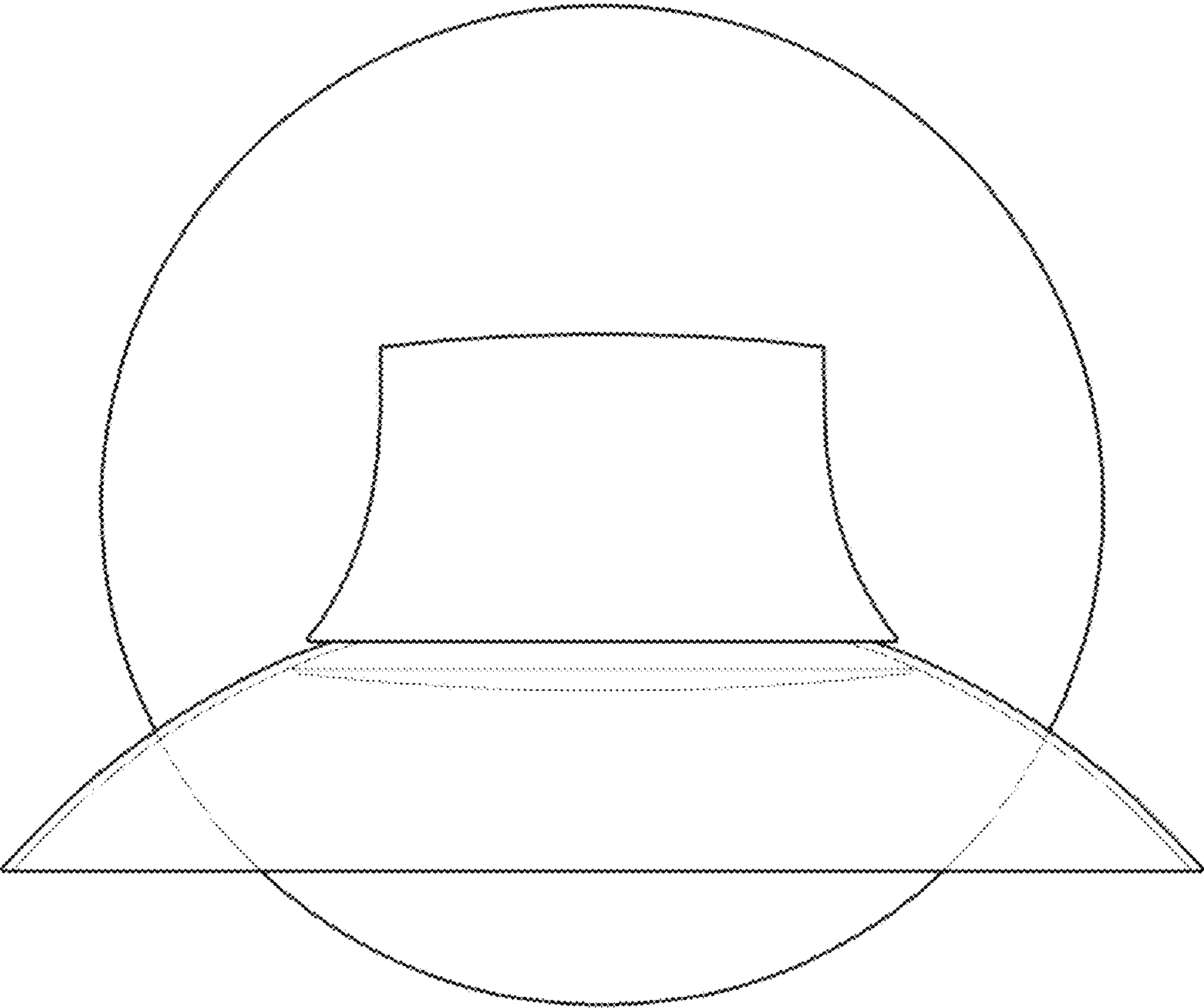
1.4



1.5



1.6



1.7

