

US00D831813S

(12) **United States Design Patent** (10) **Patent No.:** **US D831,813 S**
Davis et al. (45) **Date of Patent:** **** Oct. 23, 2018**

(54) **VOLATILE MATERIAL DISPENSER**

(71) Applicant: **S. C. Johnson & Son, Inc.**, Racine, WI (US)

(72) Inventors: **Brian T. Davis**, Burlington, WI (US);
Kamran Faterioun, New Berlin, WI (US); **Kenneth W. Michaels**, Spring Grove, IL (US)

(73) Assignee: **S. C. Johnson & Sons, Inc.**, Racine, WI (US)

(**) Term: **15 Years**

(21) Appl. No.: **29/598,404**

(22) Filed: **Mar. 24, 2017**

Related U.S. Application Data

(63) Continuation-in-part of application No. 29/580,383, filed on Oct. 7, 2016.

(51) **LOC (11) Cl.** **28-99**

(52) **U.S. Cl.**
USPC **D23/366**

(58) **Field of Classification Search**
USPC D23/355-370, 386-388; D14/214-216
CPC Y10T 428/1366; B32B 2597/00; B01D 46/00; B01D 46/0004; B01D 27/04
See application file for complete search history.

(56) **References Cited**

U.S. PATENT DOCUMENTS

- 2,513,081 A 6/1950 Clark
- 3,786,963 A 1/1974 Metzler, III
- 3,940,029 A 2/1976 Horvath
- 4,056,216 A 11/1977 Kotuby
- 4,355,739 A 10/1982 Vierkotter
- 4,479,609 A 10/1984 Maeda et al.
- 4,512,806 A 4/1985 Graham

- 4,666,430 A 5/1987 Brown et al.
- 4,739,928 A 4/1988 O'Neil
- D295,676 S * 5/1988 Steiner D23/366
- 4,892,711 A 1/1990 Tendick, Sr.
- 5,009,342 A 4/1991 Lawrence et al.
- 5,332,157 A 7/1994 Proctor
- 5,402,916 A 4/1995 Nottingham et al.
- 5,439,141 A 8/1995 Clark et al.
- 5,560,545 A 10/1996 Grogan et al.
- 5,562,250 A 10/1996 O'Neill

(Continued)

FOREIGN PATENT DOCUMENTS

- AU 120799 S 7/1994
- AU 302514 S 7/2005

(Continued)

Primary Examiner — Brandon M Rosati

Assistant Examiner — John A Voytek

(57) **CLAIM**

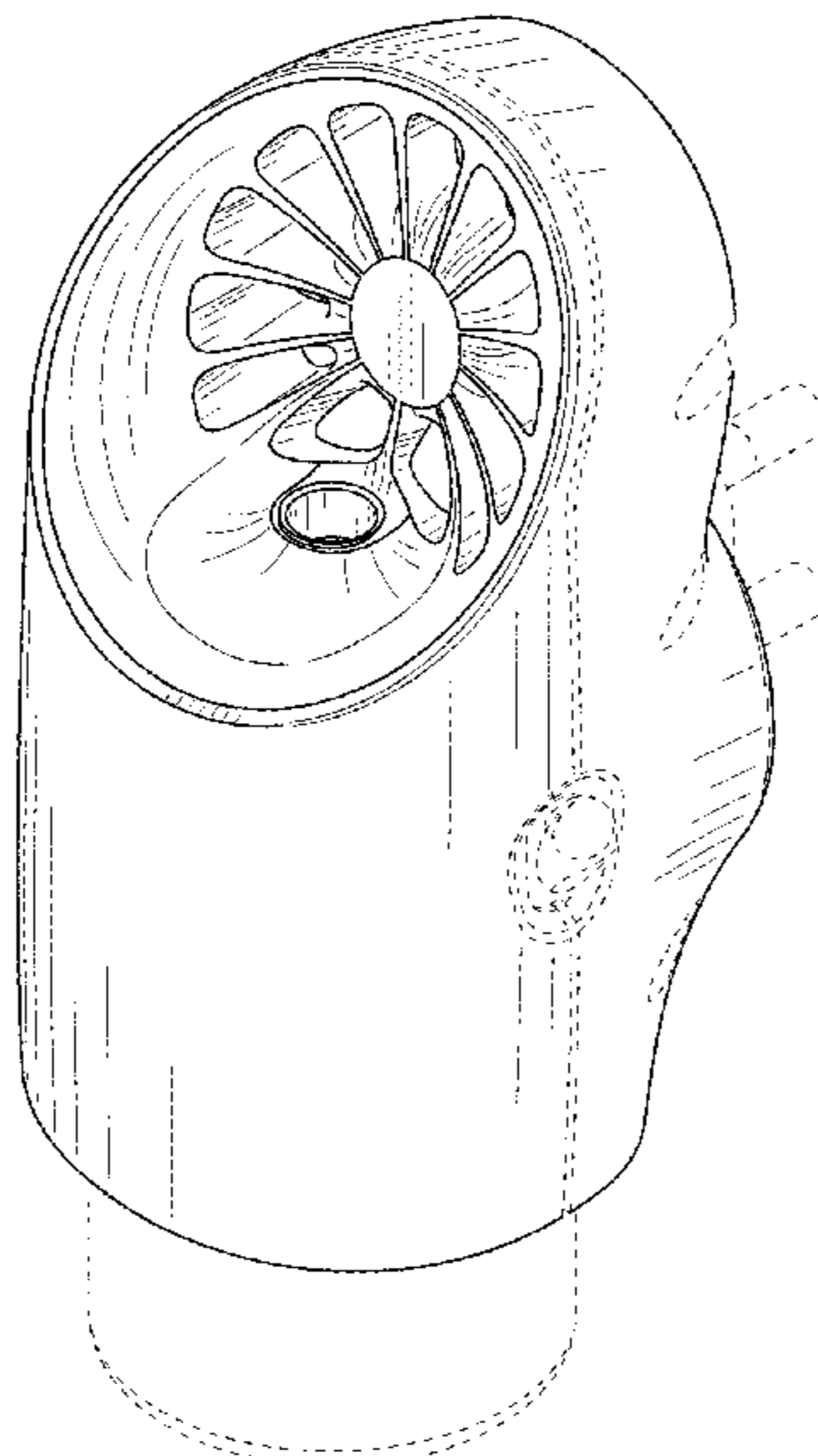
The ornamental design for a volatile material dispenser, as shown and described.

DESCRIPTION

FIG. 1 is an isometric view of a top, front, and right side of an ornamental design for a volatile material dispenser; FIG. 2 is a front elevational view of the volatile material dispenser of FIG. 1; FIG. 3 is a rear elevational view of the volatile material dispenser of FIG. 1; FIG. 4 is a right side elevational view of the volatile material dispenser of FIG. 1; FIG. 5 is a left side elevational view of the volatile material dispenser of FIG. 1; and, FIG. 6 is a top plan view of the volatile material dispenser of FIG. 1.

The broken lines are included for the purpose of illustrating portions that form no part of the claimed design.

1 Claim, 5 Drawing Sheets



(56)

References Cited

U.S. PATENT DOCUMENTS

5,711,457 A 1/1998 Wanbaugh et al.
 5,752,626 A 5/1998 Bachand
 5,769,275 A 6/1998 Boehmer et al.
 5,819,987 A 10/1998 Miller
 5,887,761 A 3/1999 Foster et al.
 5,890,624 A 4/1999 Klima et al.
 5,894,955 A 4/1999 Garrigues
 5,964,377 A 10/1999 Demarest et al.
 5,996,907 A 12/1999 Toetschinger et al.
 6,036,057 A 3/2000 Poutiatine
 6,145,695 A 11/2000 Garrigues
 6,158,673 A 12/2000 Toetschinger et al.
 6,279,836 B1 8/2001 Toetschinger et al.
 6,311,875 B1 11/2001 Anderson et al.
 6,378,780 B1 4/2002 Martens, III et al.
 6,394,364 B1 5/2002 Abplanalp
 6,446,880 B1 9/2002 Schram et al.
 6,505,356 B1 1/2003 Leonard et al.
 6,550,694 B1 4/2003 Foster et al.
 6,569,387 B1 5/2003 Furner et al.
 D477,066 S 7/2003 Lonczak et al.
 D489,123 S * 4/2004 Basaganas Millan D23/366
 6,722,389 B2 4/2004 Stevens
 6,729,560 B2 5/2004 Foster et al.
 6,732,757 B2 5/2004 Benham
 6,843,390 B1 1/2005 Bristor
 6,869,027 B2 3/2005 Foster et al.
 6,896,193 B2 5/2005 Helf et al.
 D507,636 S * 7/2005 Baraky D23/366
 6,978,914 B2 12/2005 Furner et al.
 6,978,946 B2 12/2005 Sweeton
 7,021,499 B2 4/2006 Hansen et al.
 7,090,097 B1 8/2006 Kazarian et al.
 7,118,012 B2 10/2006 Butler
 D564,357 S 3/2008 Kapoor et al.
 7,357,335 B2 4/2008 Laidler et al.
 D568,153 S 5/2008 Harrison et al.
 7,455,245 B2 11/2008 Sipinski et al.
 D584,617 S 1/2009 Harrison et al.
 7,510,101 B2 3/2009 Foster et al.
 7,565,988 B2 7/2009 Foster
 7,593,790 B2 9/2009 Valpey, III et al.
 7,643,734 B2 1/2010 Wefler
 D616,751 S 6/2010 Ko et al.
 7,757,970 B2 7/2010 Laidler et al.
 7,775,401 B2 8/2010 Banco et al.
 7,775,459 B2 8/2010 Martens, III et al.
 7,775,461 B2 8/2010 Laidler et al.
 7,850,043 B2 12/2010 Foster
 D635,033 S 3/2011 Heflin, III
 7,906,473 B2 3/2011 Williams et al.
 7,938,299 B2 5/2011 Fahy et al.
 7,959,041 B2 6/2011 Miller et al.
 7,997,449 B2 8/2011 Banco et al.
 8,113,227 B2 2/2012 Adams et al.
 D657,860 S * 4/2012 Sordo D23/366
 8,322,630 B2 12/2012 Richardson et al.
 8,322,631 B2 12/2012 Richardson et al.
 8,338,354 B2 12/2012 Williams et al.
 8,348,098 B2 1/2013 Bruckner
 D686,718 S * 7/2013 Gordon D23/366
 D686,721 S * 7/2013 Wirz D23/366
 D700,694 S * 3/2014 Sordo D23/366
 D776,247 S * 1/2017 King D23/366
 D776,800 S * 1/2017 King D23/366
 2001/0025859 A1 10/2001 Dumont

2007/0012723 A1 1/2007 Laidler et al.
 2008/0314928 A1 12/2008 Banco et al.
 2009/0289025 A1 11/2009 Mueller et al.
 2010/0090027 A1 4/2010 Knopow et al.
 2010/0108779 A1 5/2010 Filsouf
 2010/0206903 A1 8/2010 Banco et al.

FOREIGN PATENT DOCUMENTS

CN 99342509 2/2001
 CN 200430095957 8/2005
 CN 3572572 S 10/2006
 CN 200630066715 7/2007
 CN 300818054 8/2007
 CN 200730309678 9/2008
 CN 200930151790 5/2010
 CN 201030143621 10/2010
 CN 201030684779 7/2011
 CN 301830112 S 2/2012
 CN 301830160 S 2/2012
 CN 301837918 S 2/2012
 CN 301837923 S 2/2012
 CN 201130172169 3/2012
 CN 301888699 S 4/2012
 CN 301888708 S 4/2012
 CN 301888710 S 4/2012
 CN 301888741 S 4/2012
 CN 301888754 S 4/2012
 CN 301991878 S 7/2012
 CN 302151680 S 10/2012
 CN 302359043 S 3/2013
 CN 201330323728 12/2013
 CN 201330652162 5/2014
 CN 201430032895 7/2014
 CN 201430236128 1/2015
 CN 201430341364 4/2015
 CN 201430416374 4/2015
 CN 201430346597 5/2015
 CN 201430444952 5/2015
 CN 201430460645 6/2015
 CN 201530040867 7/2015
 CN 201530041708 7/2015
 CN 201530083699 7/2015
 CN 201530085624 8/2015
 DM 029602 5/1994
 DM 052591 12/1999
 DM 066746 6/2005
 DM 068378 12/2006
 DM 078472 4/2012
 DM 079028 7/2012
 EM 000041140-0002 6/2003
 EM 000591789-0002 9/2006
 EM 000730585-0001 5/2007
 EM 000937602-0002 7/2008
 EM 001001671-0001 9/2008
 EM 001171656-0004 10/2009
 EM 001183032-0003 12/2009
 EM 001187512-0002 1/2010
 EM 001797150-0002 12/2010
 EM 001807710-0001 1/2011
 EM 001807710-0002 1/2011
 EM 001297154-0001 10/2011
 EM 002421412-0001 3/2014
 EM 002490383-0001 6/2014
 EM 002757831-0015 5/2015
 EM 002769265-0010 9/2015
 EP 1800698 A1 6/2007
 WO WO2009020929 A1 2/2009

* cited by examiner

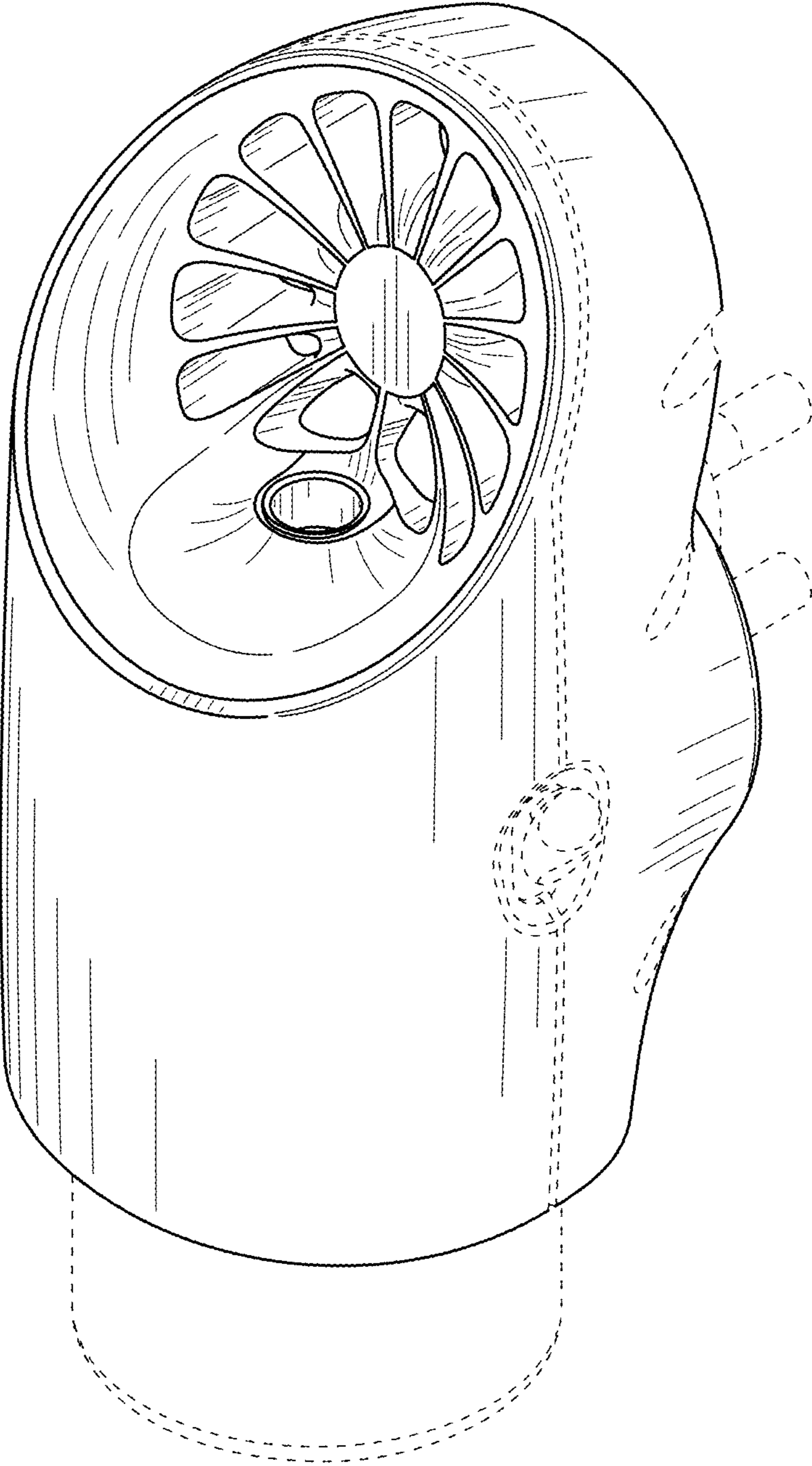


FIG. 1

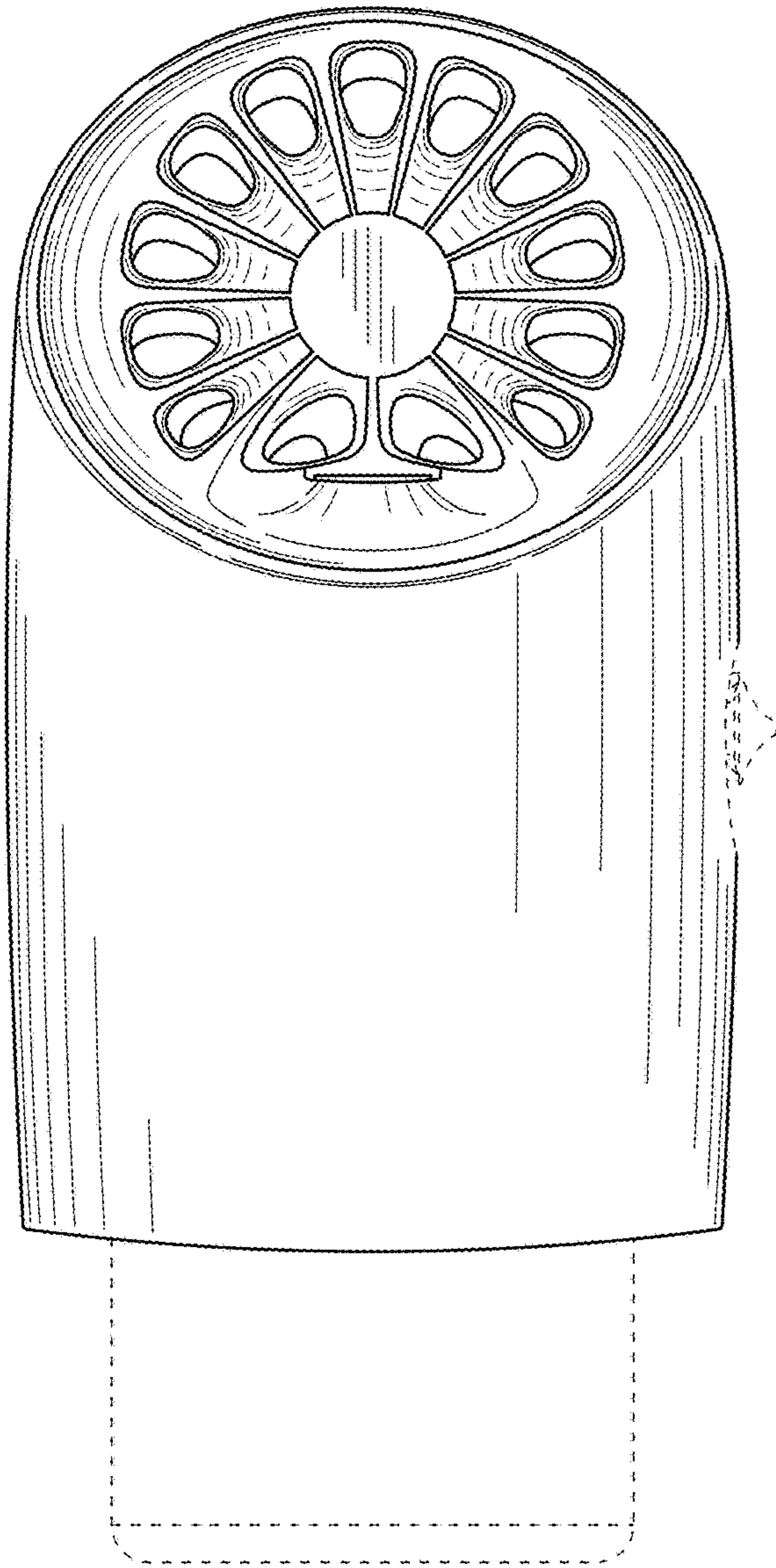


FIG. 2

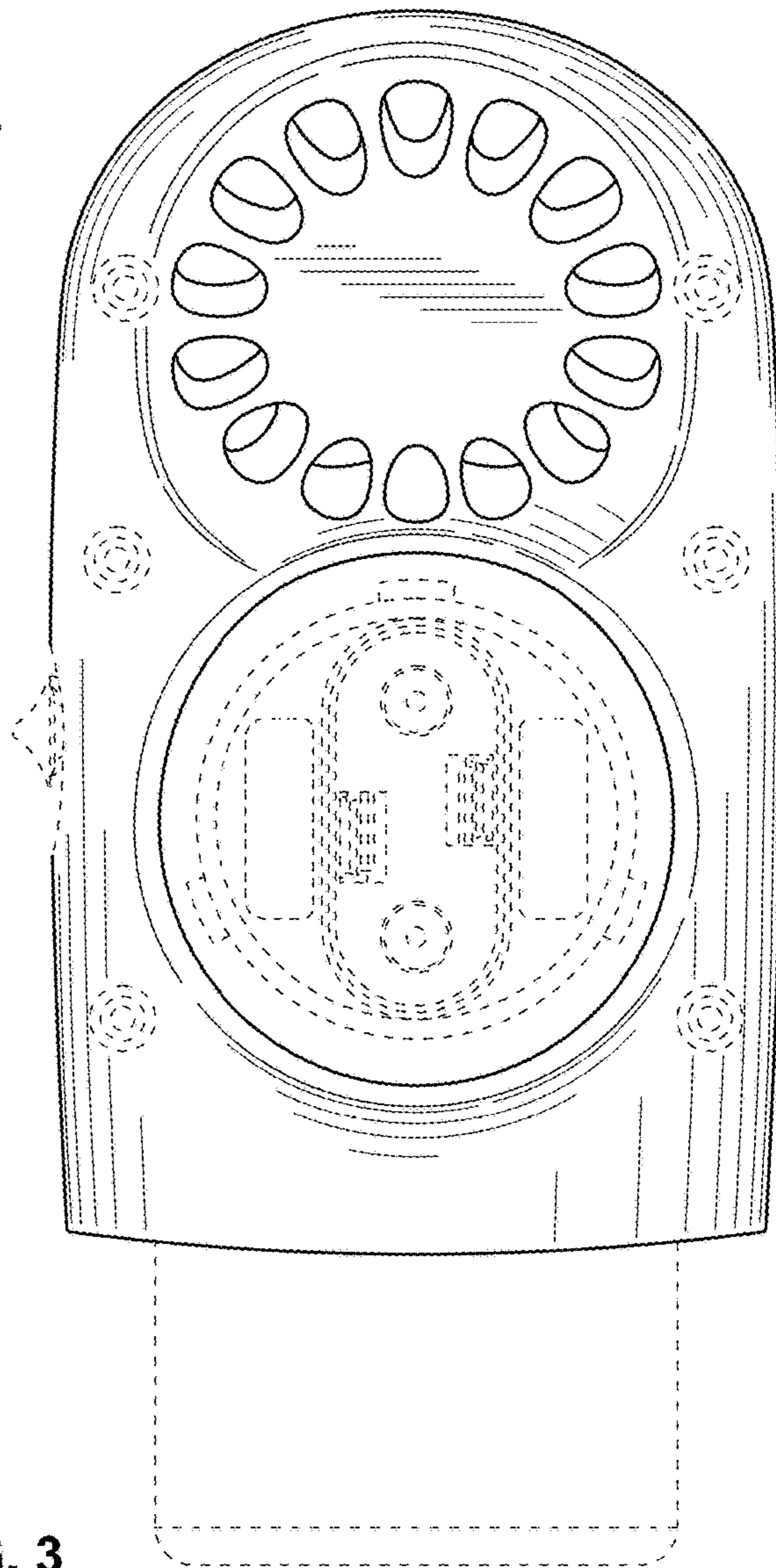


FIG. 3

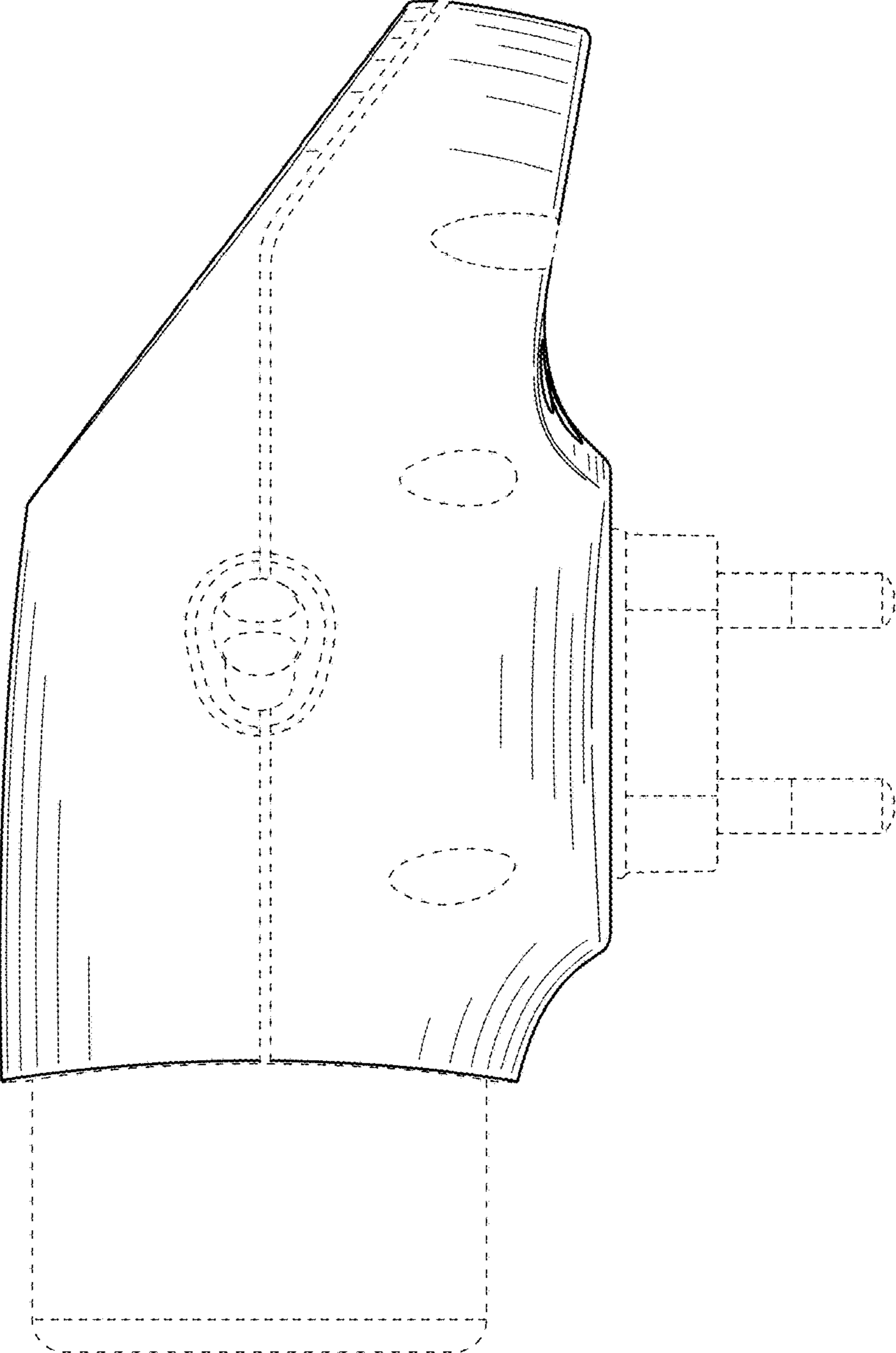


FIG. 4

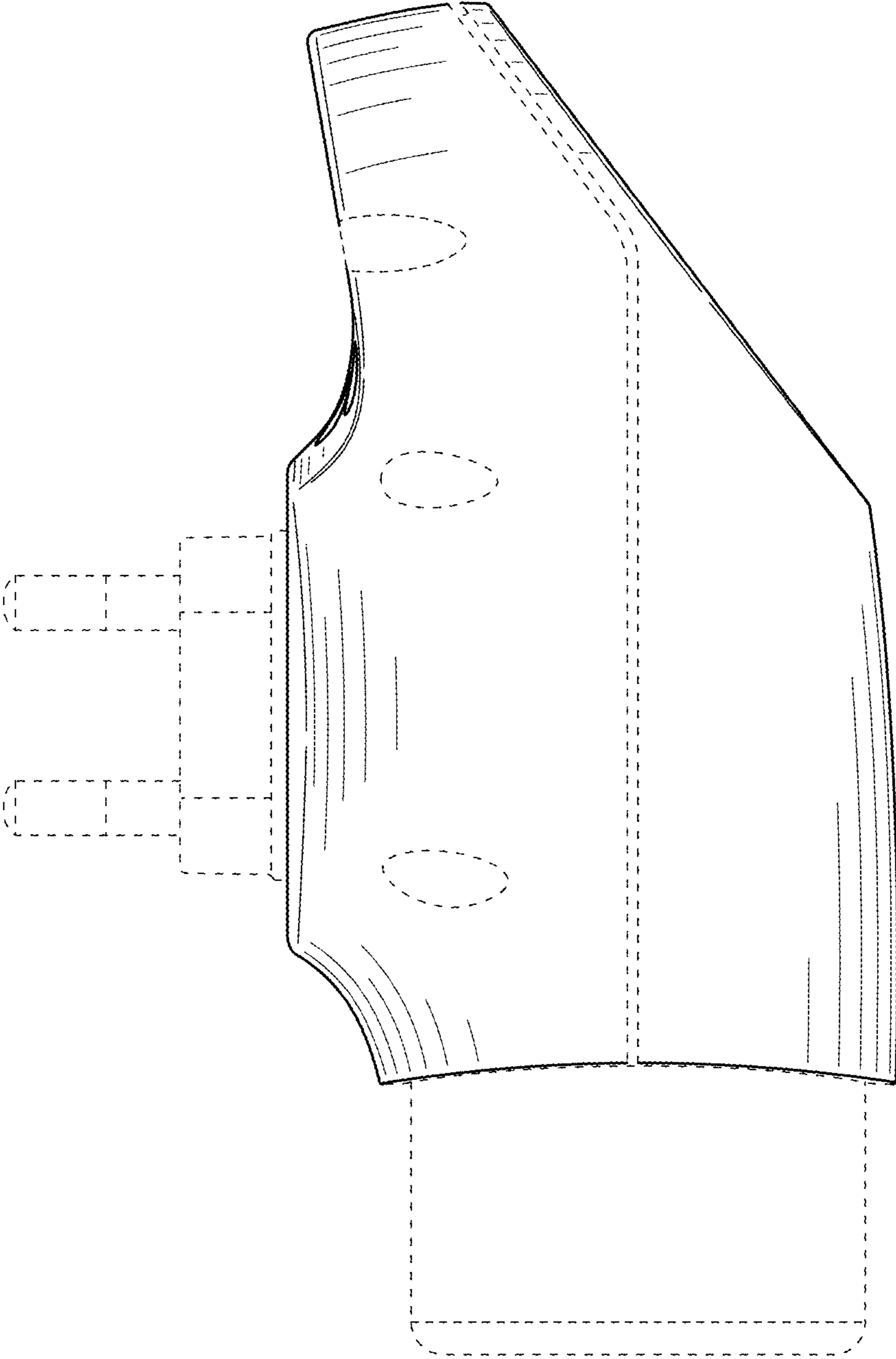


FIG. 5

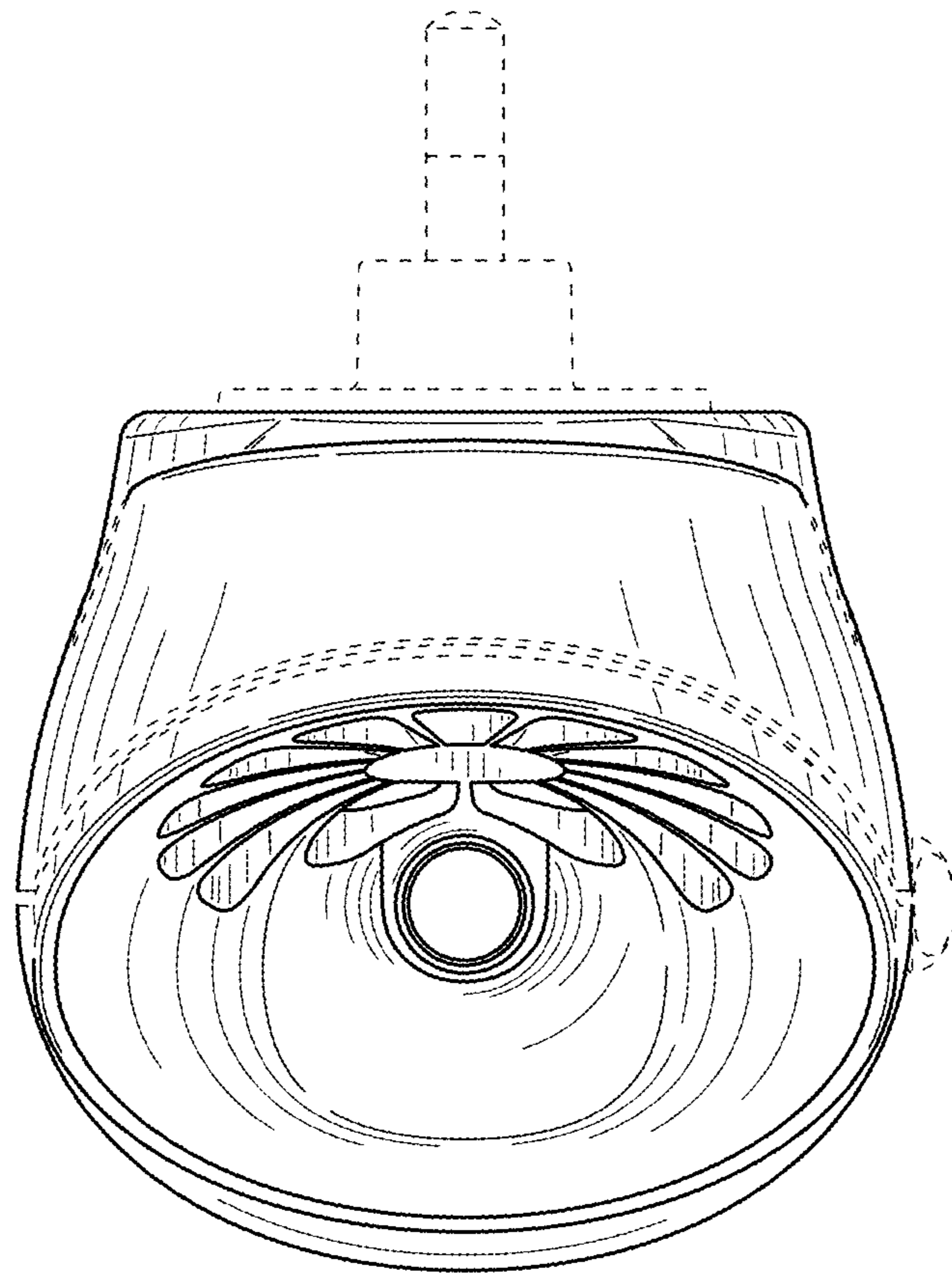


FIG. 6