

US00D831812S

(12) **United States Design Patent**
Stanhope et al.

(10) **Patent No.:** **US D831,812 S**

(45) **Date of Patent:** **** Oct. 23, 2018**

(54) **FILTER**

(71) Applicant: **Champion Laboratories, Inc.**, Albion, IL (US)

(72) Inventors: **Kent Stanhope**, Albion, IL (US); **John Simms**, Albion, IL (US)

(73) Assignee: **Champion Laboratories, Inc.**, Albion, IL (US)

(**) Term: **15 Years**

(21) Appl. No.: **29/599,941**

(22) Filed: **Apr. 7, 2017**

(51) **LOC (11) Cl.** **23-04**

(52) **U.S. Cl.**
USPC **D23/365**

(58) **Field of Classification Search**
USPC D23/209, 341, 358, 363-365; D15/5
CPC F02M 35/04; F02M 35/10; F02M 35/024;
B01D 46/0002; B01D 46/10
See application file for complete search history.

(56) **References Cited**

U.S. PATENT DOCUMENTS

D380,536 S * 7/1997 Ellwood D23/364
D382,049 S * 8/1997 Trampp D23/365

D456,877 S * 5/2002 Wilder D23/209
D568,014 S * 4/2008 Fester D32/31
D612,922 S * 3/2010 Foerster D23/365
9,067,159 B2 * 6/2015 Soderholm B01D 46/023
D762,832 S * 8/2016 Gale D23/365
2016/0023137 A1 * 1/2016 Sorger B01D 46/4236
210/435
2016/0040633 A1 * 2/2016 Schmid B01D 46/0001
55/502
2017/0304759 A1 * 10/2017 Foenss A47L 9/122

* cited by examiner

Primary Examiner — Brandon M Rosati

Assistant Examiner — John A Voytek

(74) *Attorney, Agent, or Firm* — Mark J. Nahnsen; Barnes & Thornburg LLP

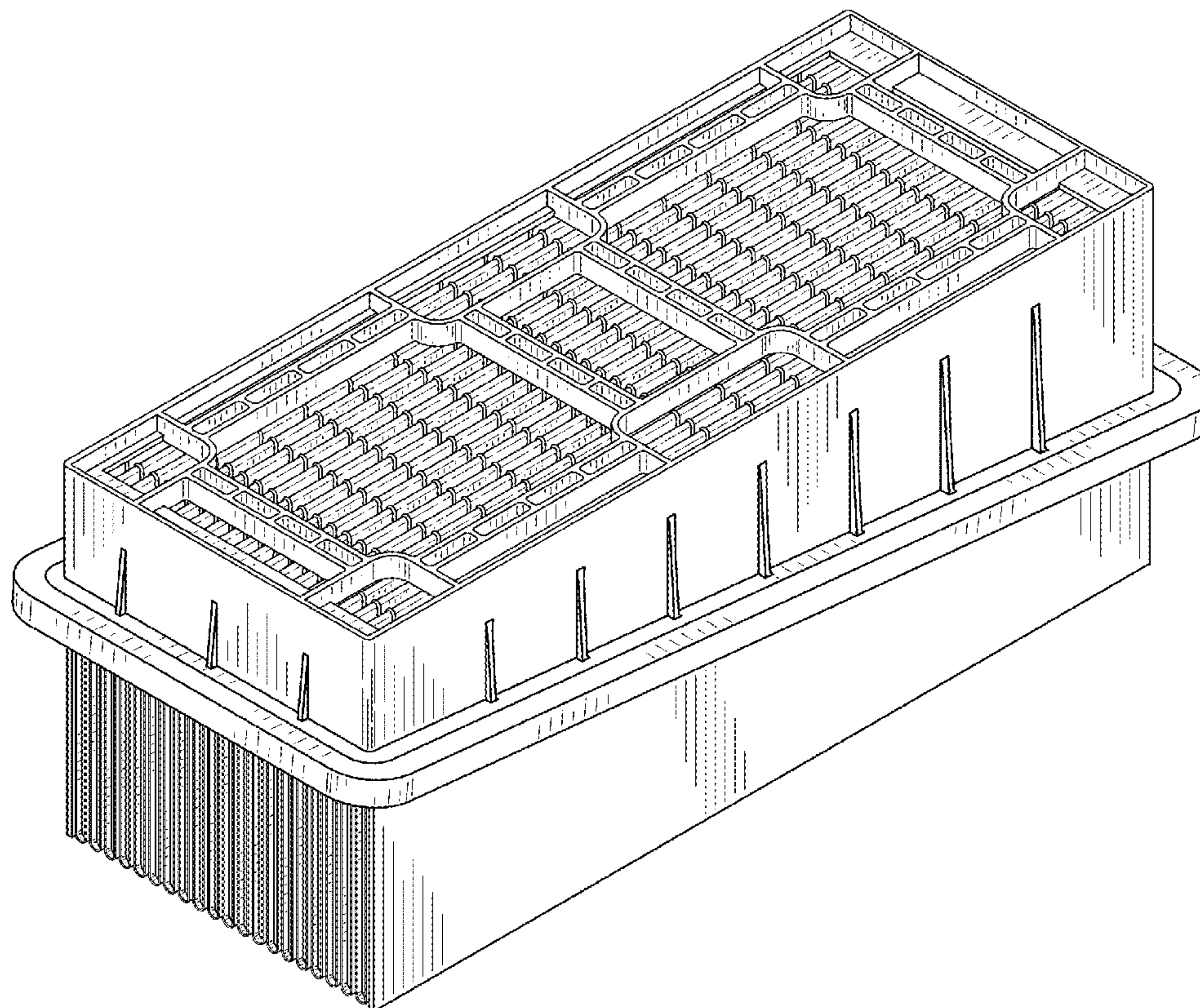
(57) **CLAIM**

The ornamental design for a filter, as shown and described.

DESCRIPTION

FIG. 1 is a front perspective view of a filter;
FIG. 2 is a front view thereof;
FIG. 3 is a rear view thereof;
FIG. 4 is a right side view thereof;
FIG. 5 is left side view thereof;
FIG. 6 is a top view thereof; and,
FIG. 7 is a bottom view thereof.

1 Claim, 4 Drawing Sheets



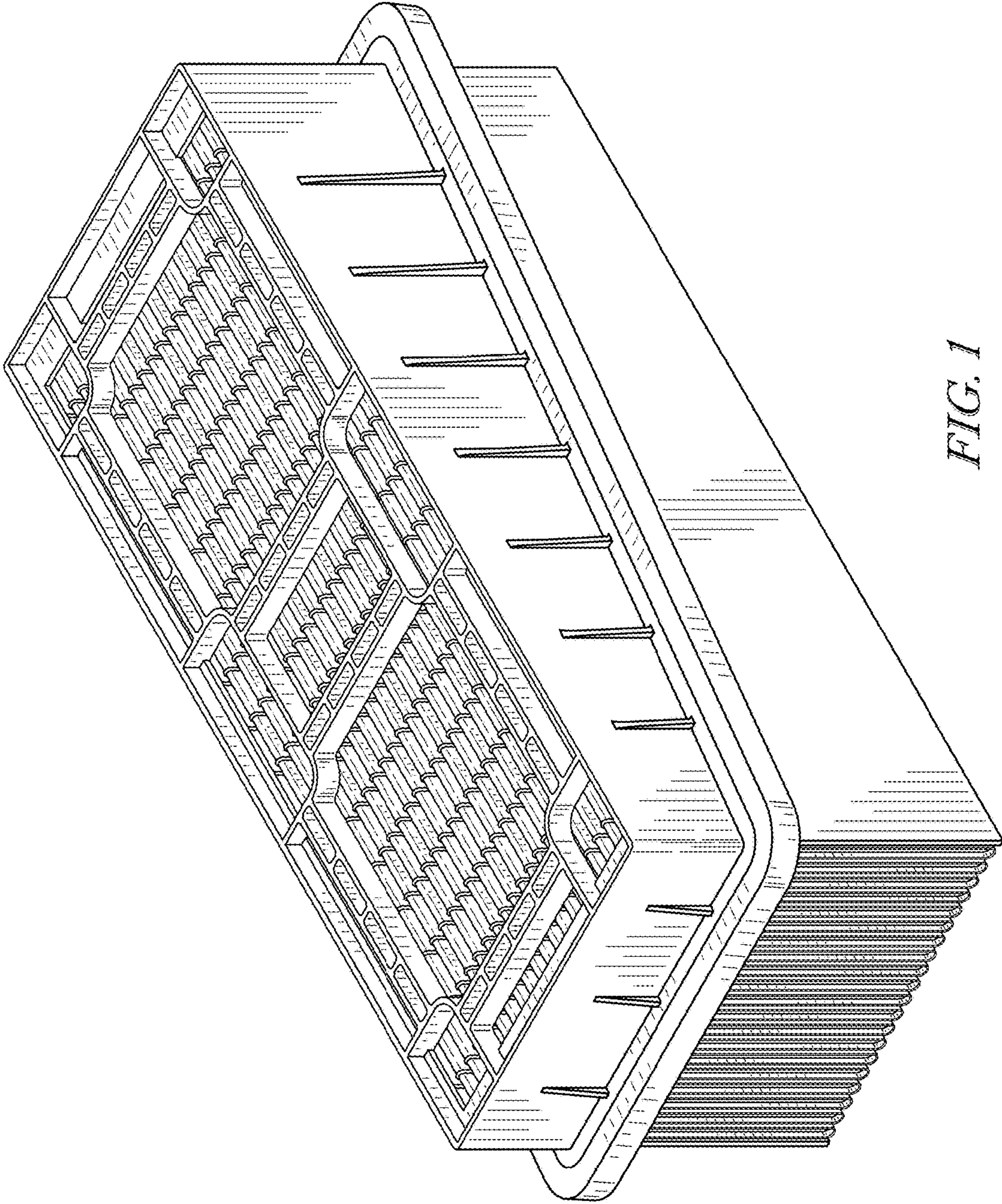


FIG. 1

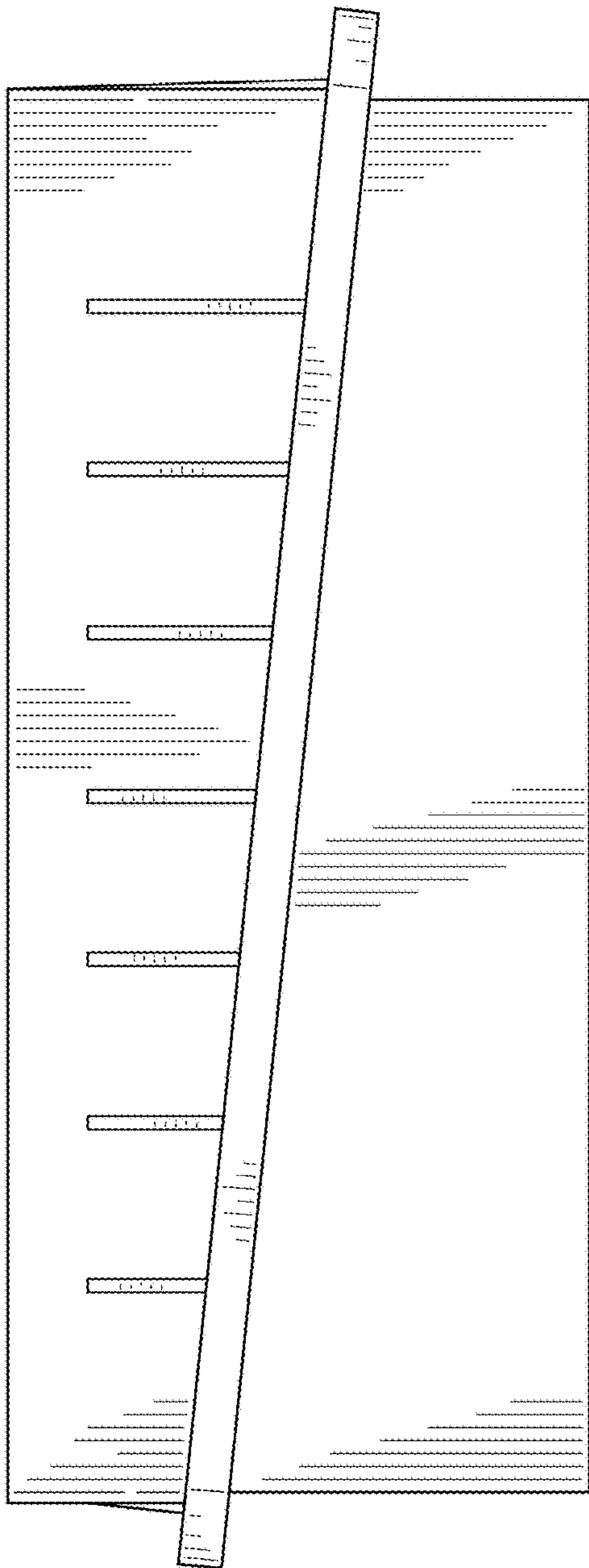


FIG. 2

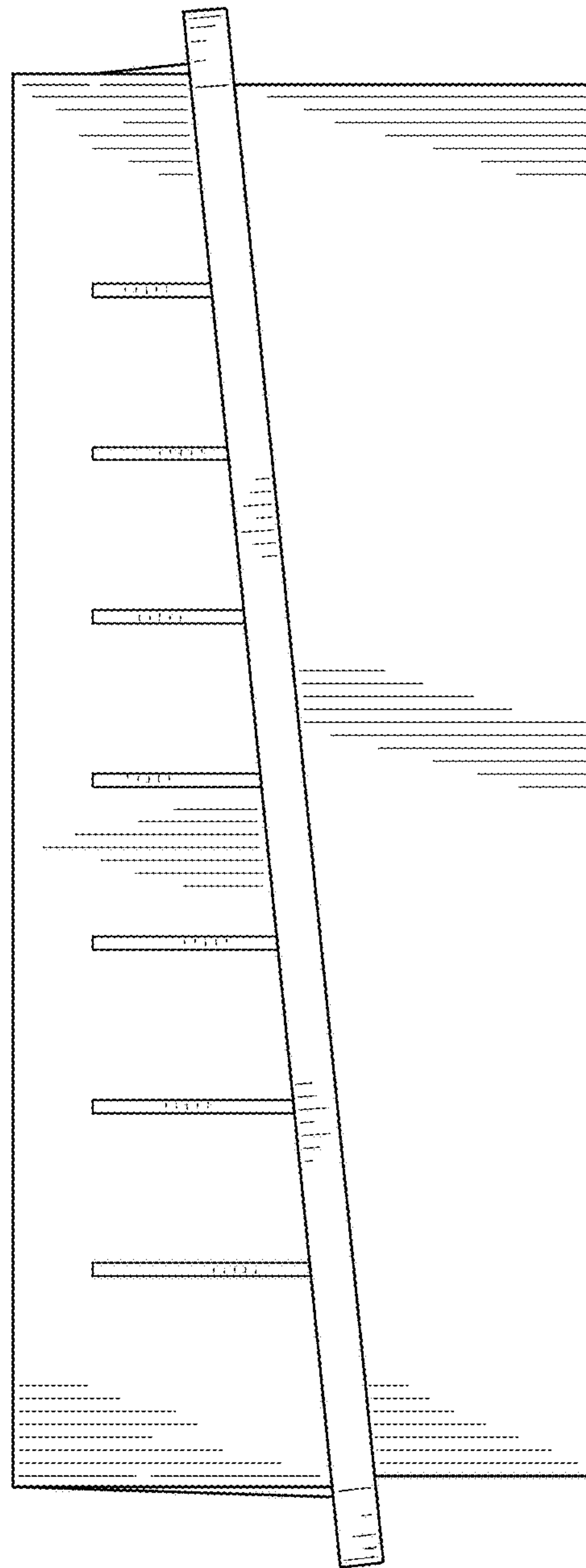


FIG. 3

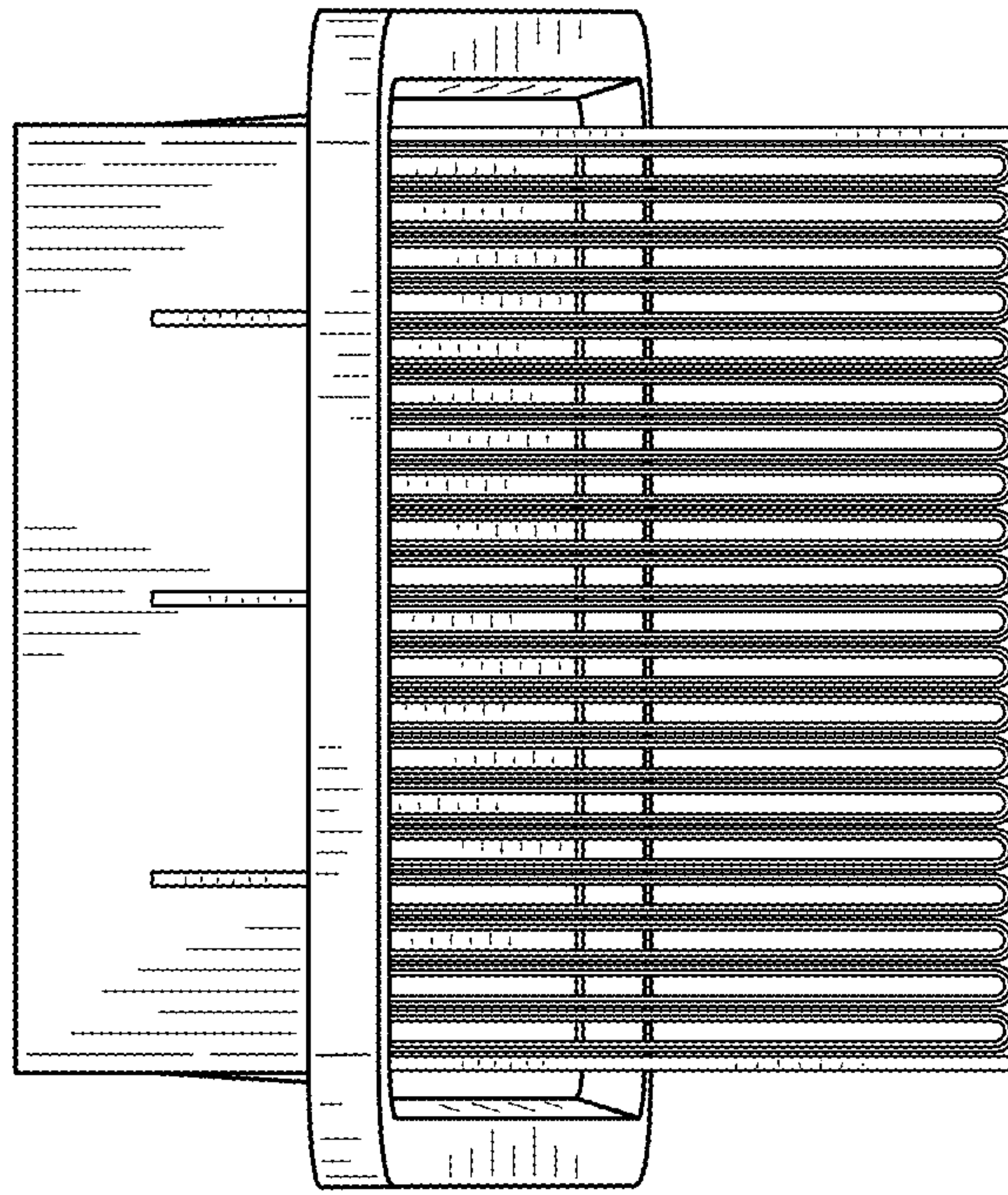


FIG. 5

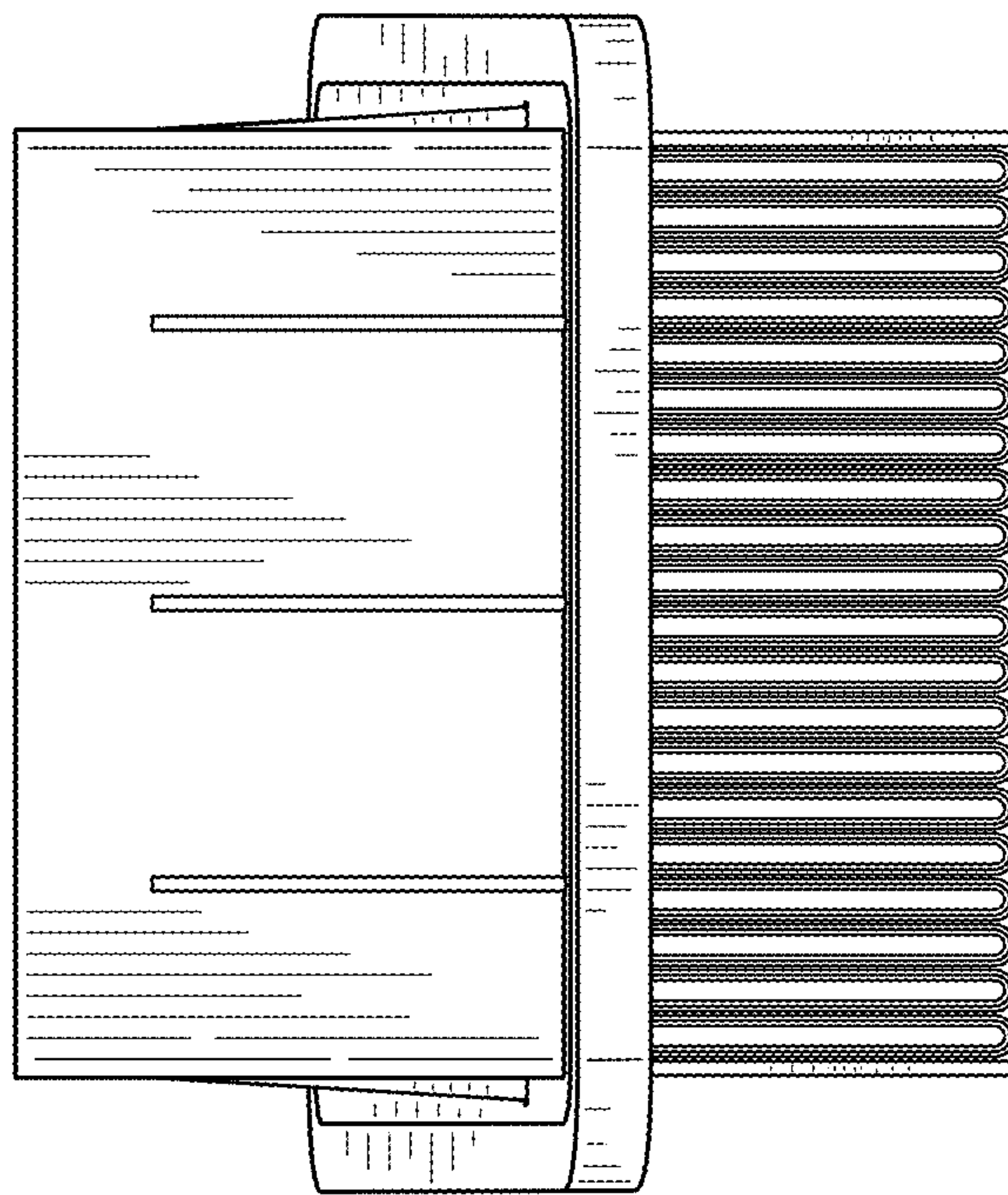


FIG. 4

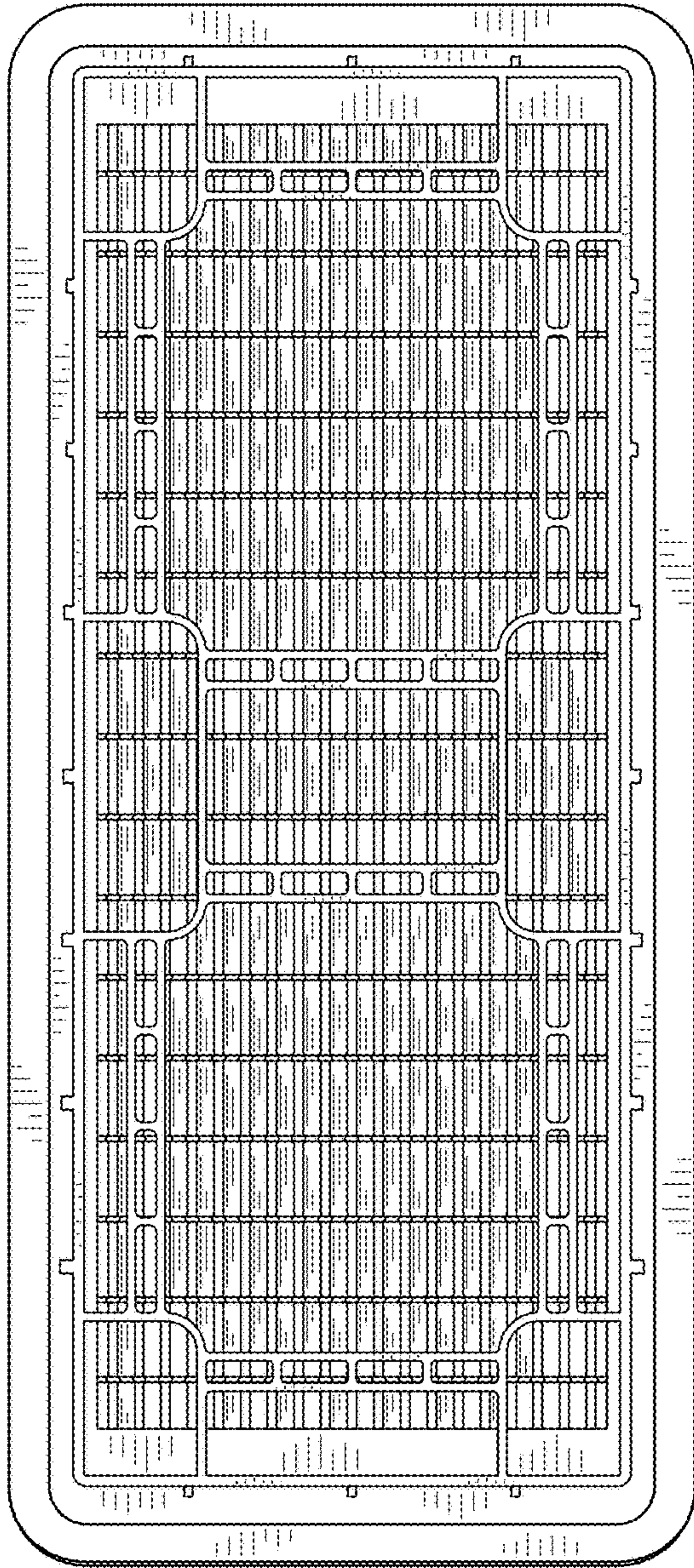


FIG. 6

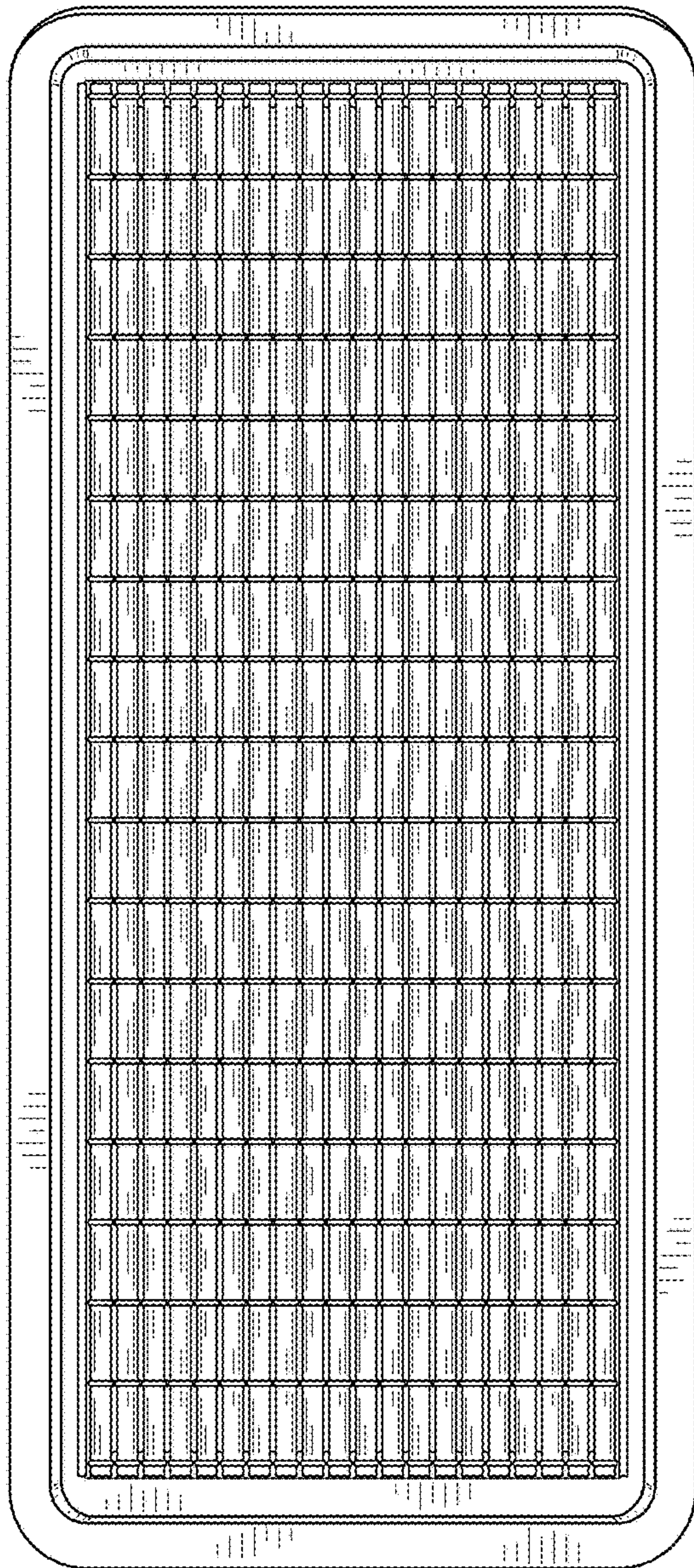


FIG. 7