



US00D831811S

(12) **United States Design Patent**
Cho et al.

(10) **Patent No.:** **US D831,811 S**

(45) **Date of Patent:** **** Oct. 23, 2018**

(54) **AIR PURIFIER**

(71) Applicant: **LG ELECTRONICS INC.**, Seoul (KR)

(72) Inventors: **Kyeongchul Cho**, Seoul (KR); **Seungho Baek**, Seoul (KR); **Yoojeung Han**, Seoul (KR); **Chinsoo Hyon**, Seoul (KR)

(73) Assignee: **LG ELECTRONICS INC.**, Seoul (KR)

(**) Term: **15 Years**

(21) Appl. No.: **35/502,842**

(22) Filed: **Oct. 19, 2016**

(80) **Hague Agreement Data**

Int. Filing Date: **Oct. 19, 2016**

Int. Reg. No.: **DM/093351**

Int. Reg. Date: **Oct. 19, 2016**

Int. Reg. Pub. Date: **Apr. 21, 2017**

(30) **Foreign Application Priority Data**

Jun. 23, 2016 (KR) 30-2016-0030707

(51) **LOC (11) Cl.** **23-04**

(52) **U.S. Cl.**
USPC **D23/364**

(58) **Field of Classification Search**

USPC D23/355, 356, 359, 364, 370, 386

CPC A61L 9/00; A61L 9/02; A61L 9/03; A61L 9/034; A61L 9/04; A61L 9/12; A61L 9/032; A61L 9/122; A61L 9/127; A61L 9/22; B01D 46/00; B01D 46/0002; B01D 46/20; F02M 35/04; F24F 13/20; A62B 21/00

See application file for complete search history.

(56) **References Cited**

U.S. PATENT DOCUMENTS

| | | | | |
|--------------|---------|--------|-------|---------|
| D648,016 S * | 11/2011 | Choi | | D23/364 |
| D648,429 S * | 11/2011 | Choi | | D23/364 |
| D754,310 S * | 4/2016 | Norman | | D23/355 |
| D773,027 S * | 11/2016 | Hu | | D23/365 |
| D801,505 S * | 10/2017 | Yin | | D23/364 |

* cited by examiner

Primary Examiner — Keli L Hill

(74) *Attorney, Agent, or Firm* — Birch, Stewart, Kolasch & Birch, LLP

(57) **CLAIM**

The ornamental design for an air purifier, as shown and described.

DESCRIPTION

1. Air Purifier

1.1 is a perspective view of an air purifier, showing our new design;

1.2 is a front elevation view thereof;

1.3 is a rear elevation view thereof;

1.4 is a left-side elevation view thereof;

1.5 is a right-side elevation view thereof;

1.6 is a top plan view thereof;

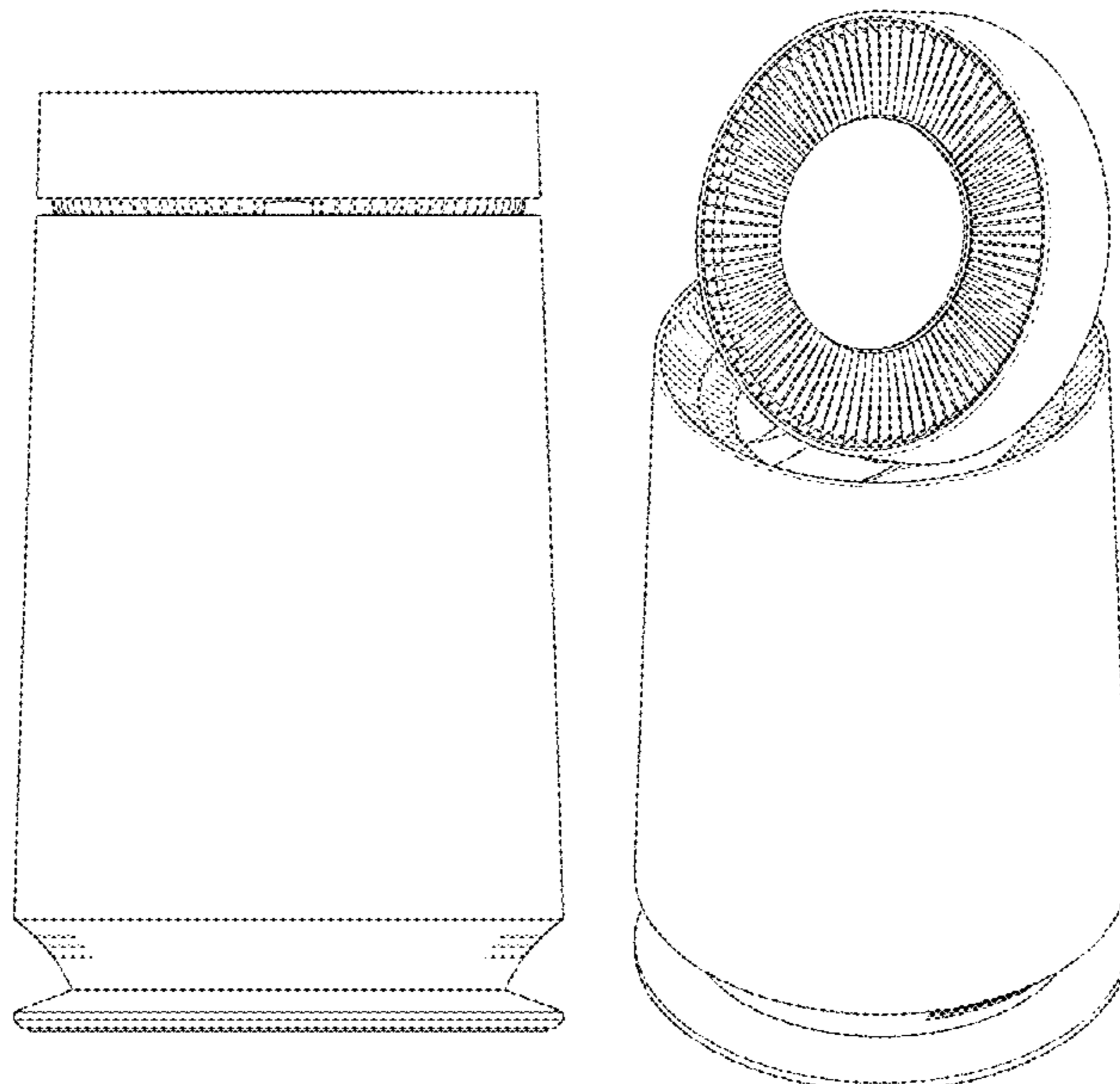
1.7 is a bottom plan view thereof;

1.8 is another perspective view thereof, in a use condition; and

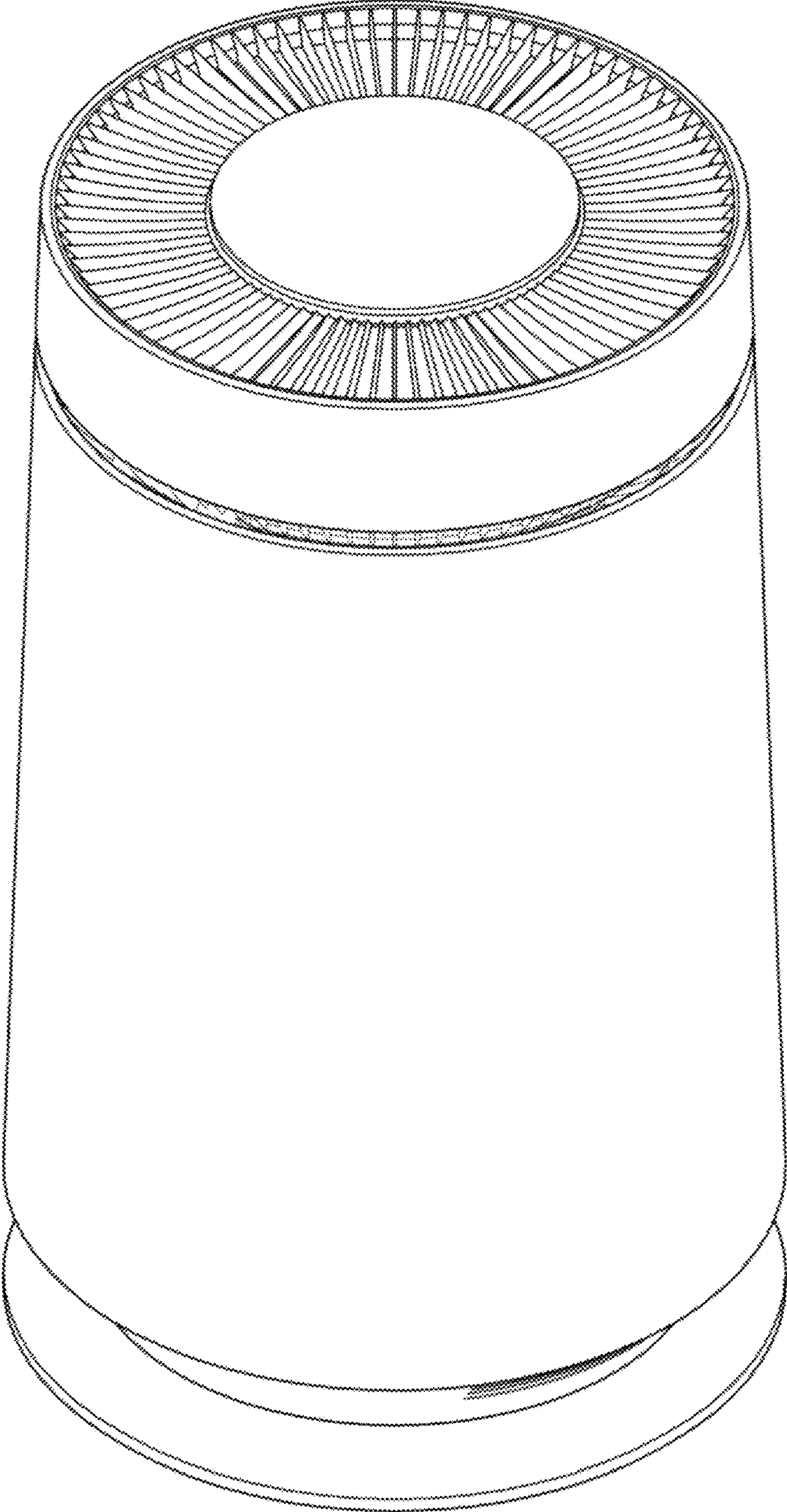
1.9 is another top plan view thereof, showing an example of a display part being activated.

The broken line showing of portions of the air purifier is for the purpose of illustrating environment and forms no part of the claimed design.

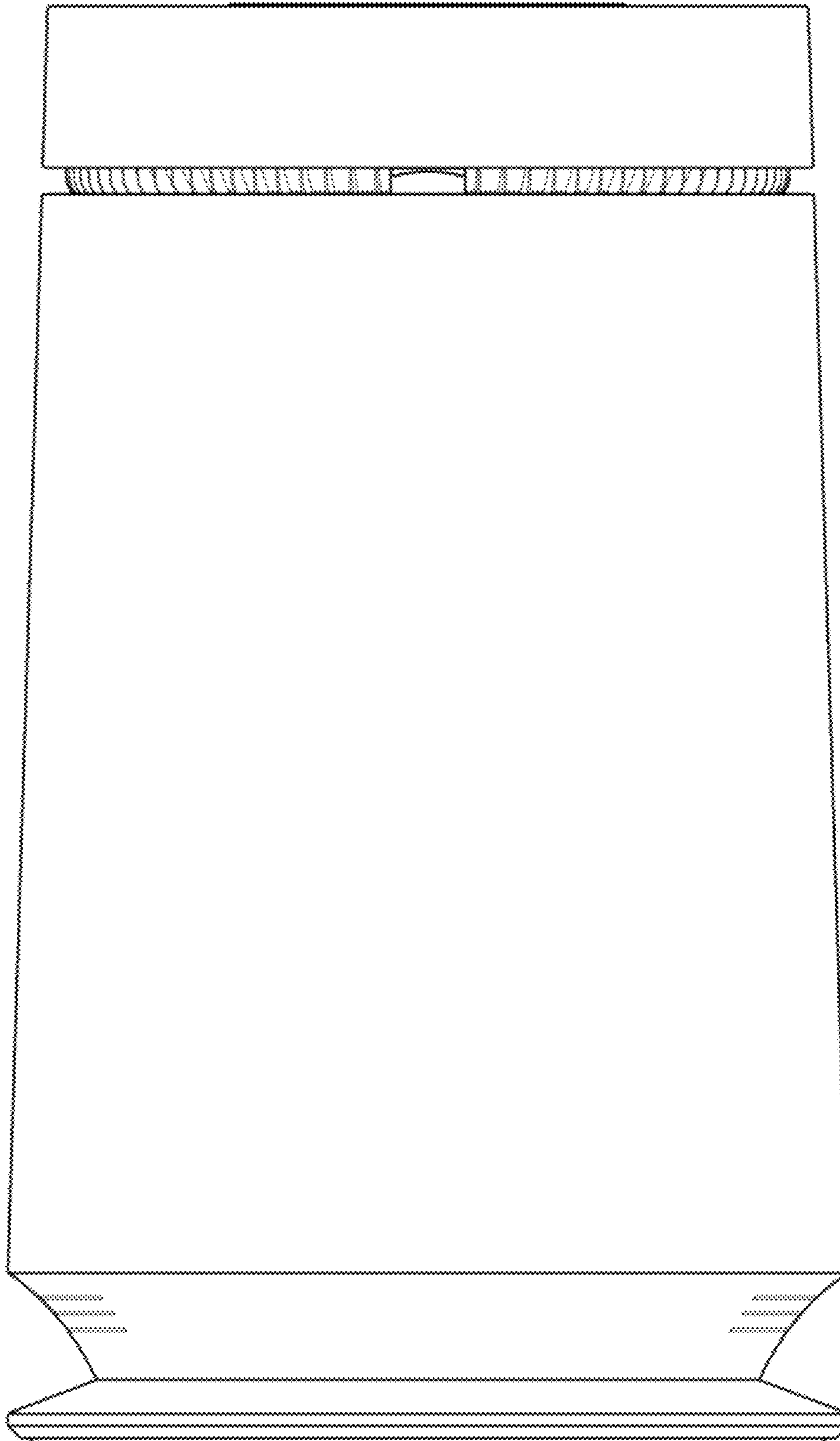
1 Claim, 9 Drawing Sheets



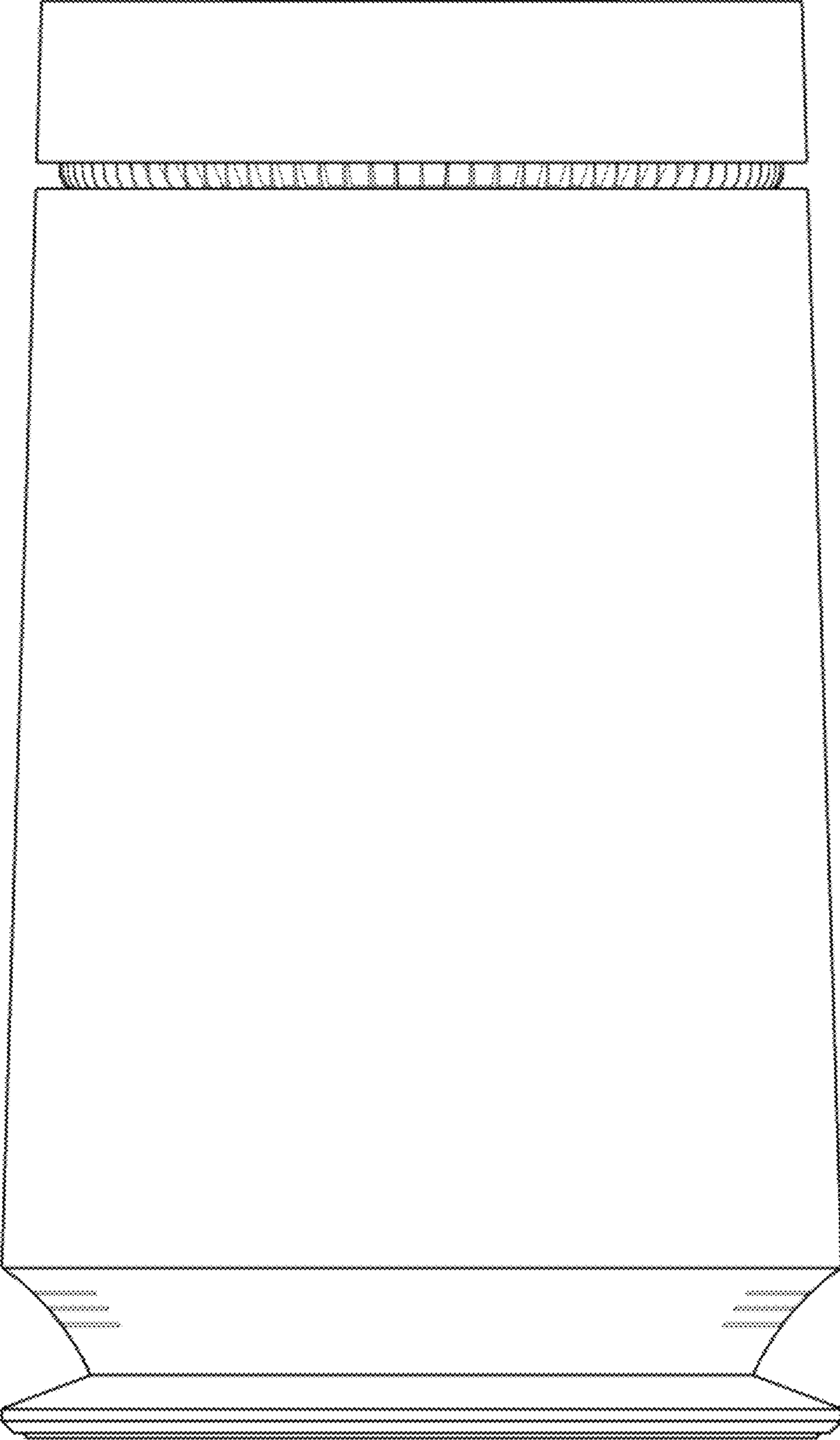
1.1



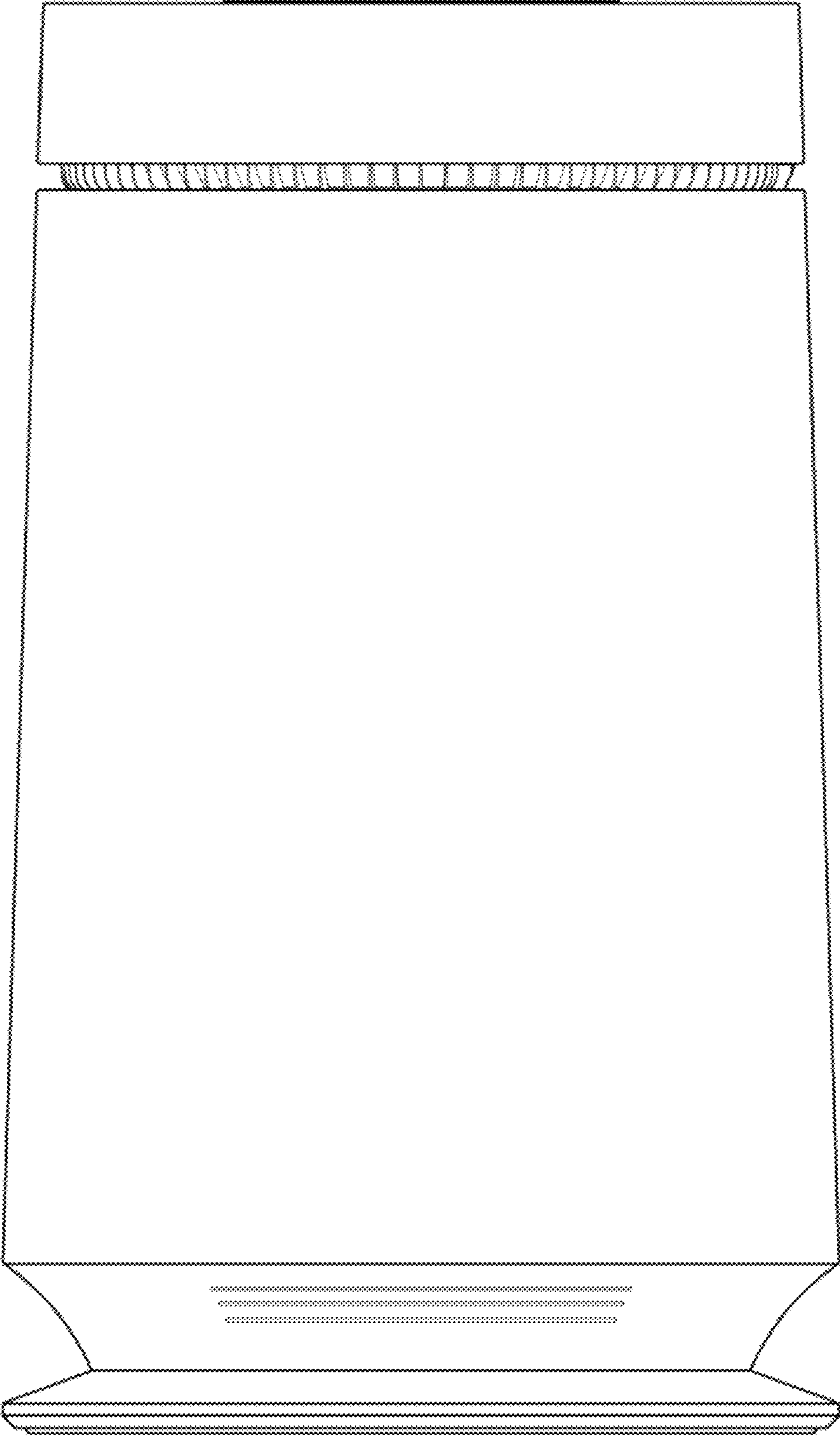
1.2



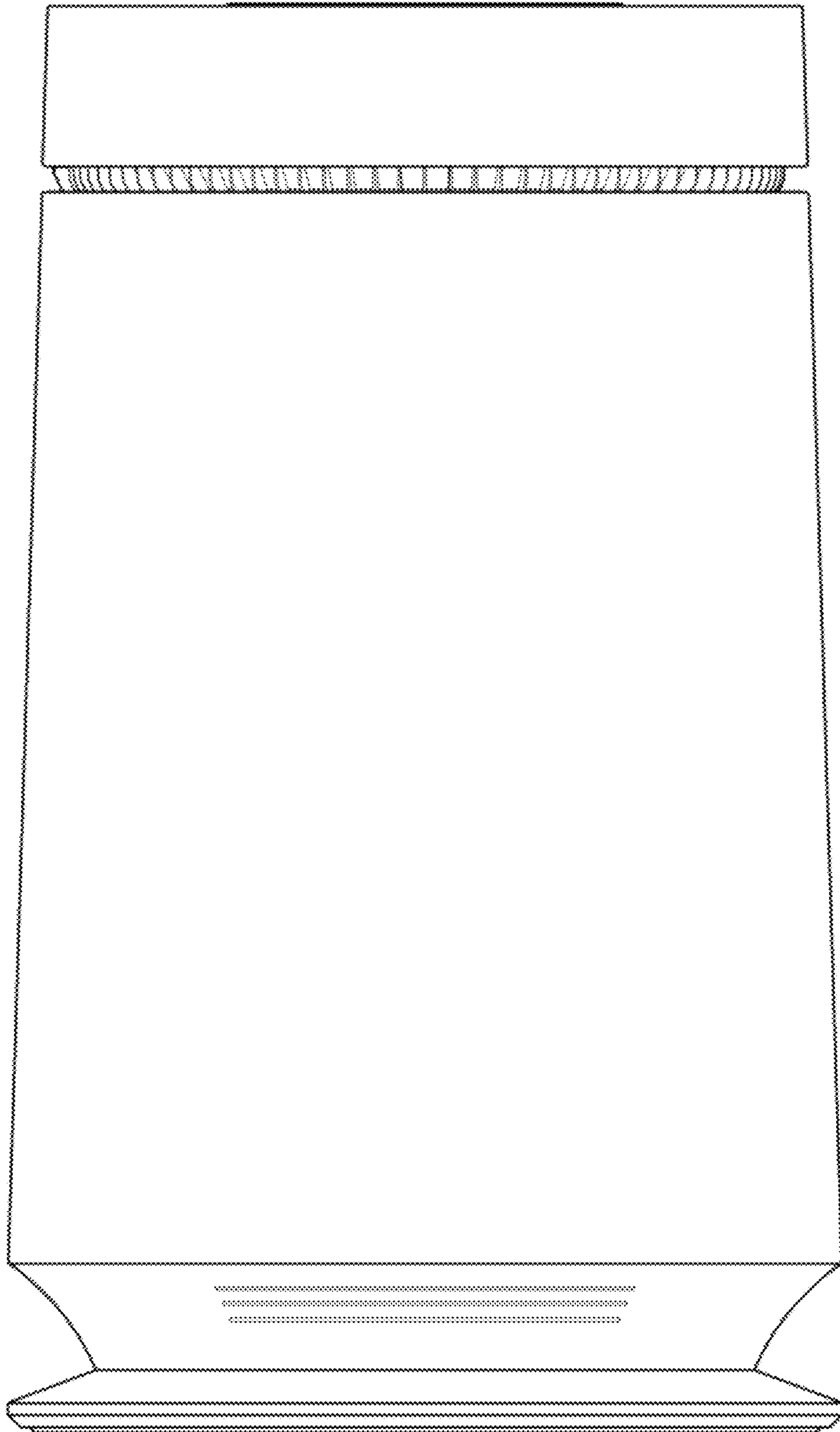
1.3



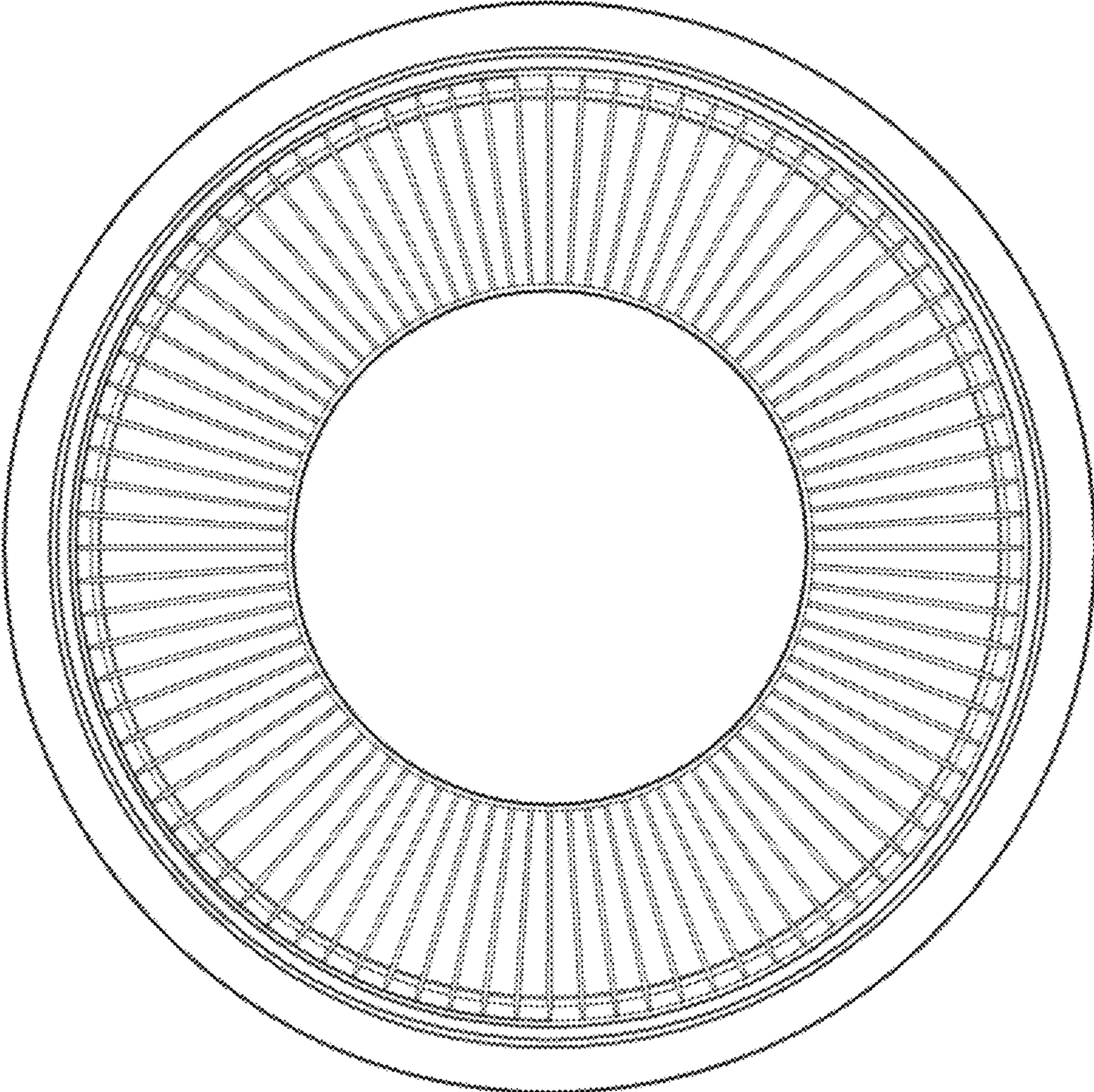
1.4



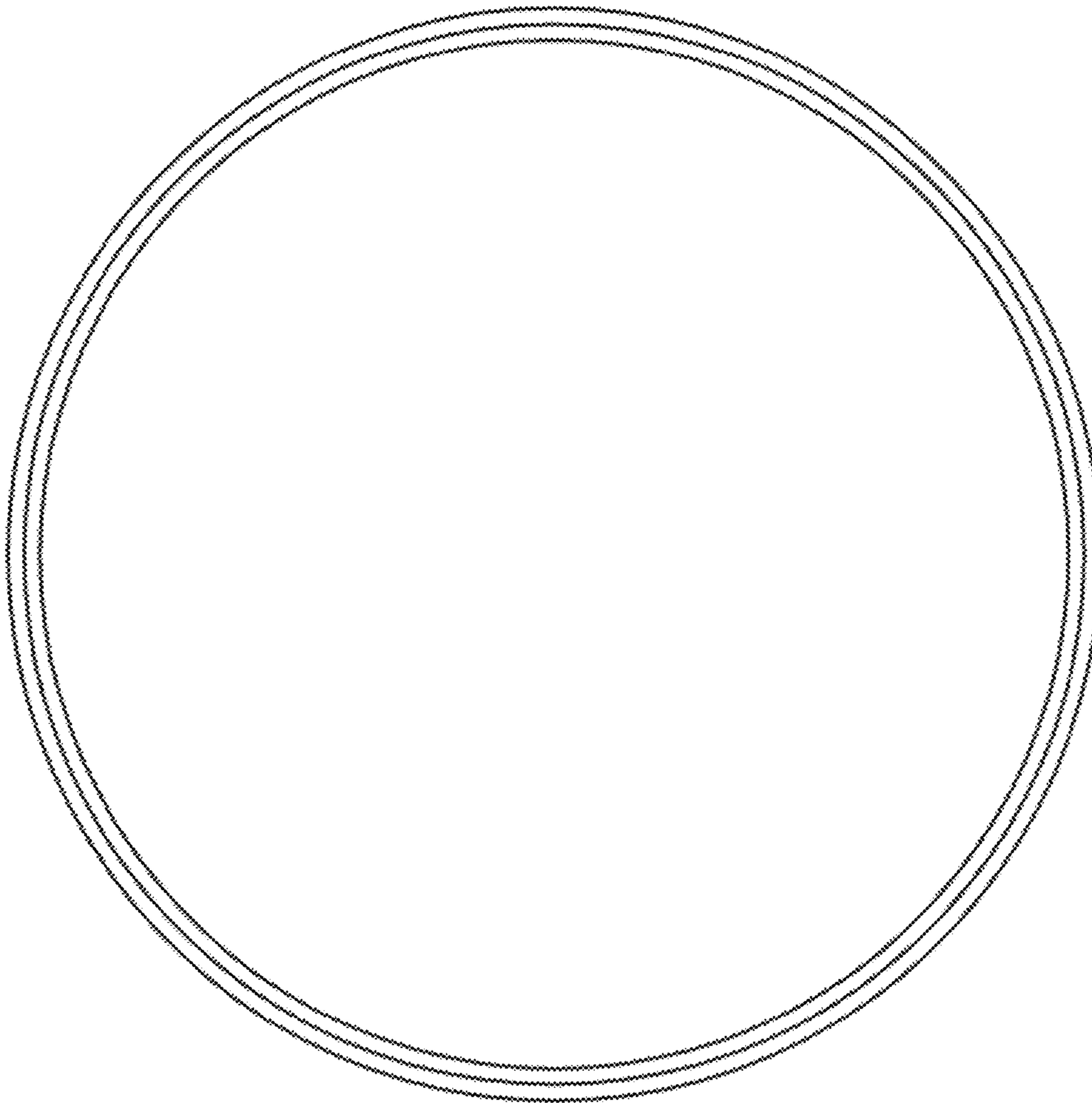
1.5



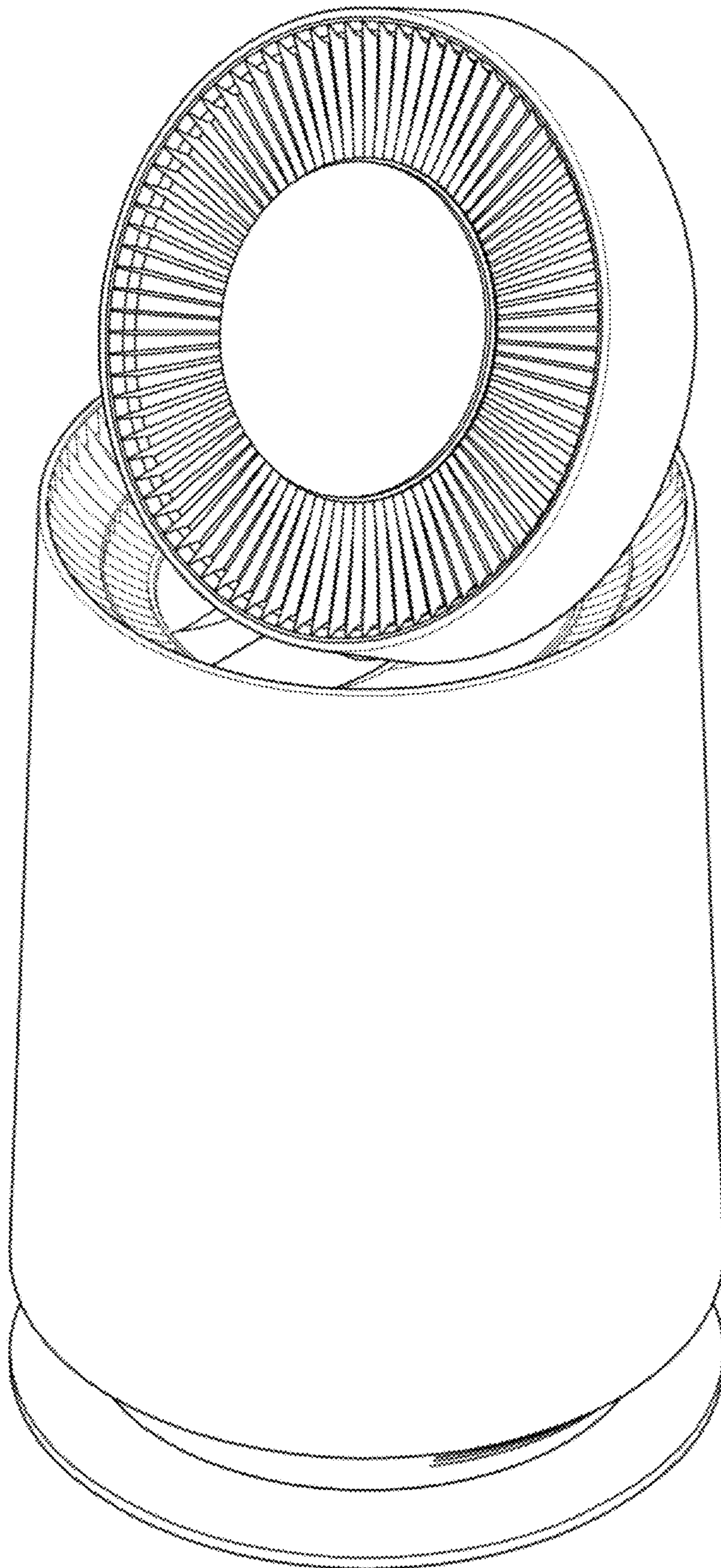
1.6



1.7



1.8



1.9

