



US00D831808S

(12) **United States Design Patent** (10) **Patent No.:** **US D831,808 S**
Baek et al. (45) **Date of Patent:** **** Oct. 23, 2018**

(54) **HUMIDIFYING FAN**

(56) **References Cited**

(71) Applicant: **LG ELECTRONICS INC.**, Seoul (KR)

U.S. PATENT DOCUMENTS

(72) Inventors: **Seungho Baek**, Seoul (KR); **Huijae Kwon**, Seoul (KR); **Minha Lee**, Seoul (KR); **Hyein Jung**, Seoul (KR); **Yunseo Jang**, Seoul (KR)

D70,434 S * 6/1926 Landberg D28/12
D184,706 S * 3/1959 Blount et al. D28/17
D451,180 S * 11/2001 Hoare D23/356
D511,570 S * 11/2005 Ke D23/378
D614,280 S * 4/2010 Dyson D23/370
D676,124 S * 2/2013 Almanza D23/378
D684,250 S * 6/2013 Hubert D23/356
D782,641 S * 3/2017 Poulton D23/370
9,797,414 B2 * 10/2017 Hodgson F04F 5/48
D802,732 S * 11/2017 Kim D23/378
D802,733 S * 11/2017 Kim D23/378
D802,734 S * 11/2017 Kim D23/378
D802,737 S * 11/2017 Kim D23/378
D802,741 S * 11/2017 Kim D23/378

(73) Assignee: **LG ELECTRONICS INC.**, Soeul (KR)

(**) Term: **15 Years**

(21) Appl. No.: **35/503,492**

(22) Filed: **Feb. 9, 2017**

(80) **Hague Agreement Data**

Int. Filing Date: **Feb. 9, 2017**
Int. Reg. No.: **DM/094852**
Int. Reg. Date: **Feb. 9, 2017**
Int. Reg. Pub. Date: **Aug. 11, 2017**

(30) **Foreign Application Priority Data**

Aug. 12, 2016 (KR) 30-2016-0039720

(51) **LOC (11) Cl.** **23-04**

(52) **U.S. Cl.**
USPC **D23/356**

(58) **Field of Classification Search**

USPC D23/370, 355, 314, 414, 371, 377, 385,
D23/411, 383, 373, 378, 379, 380, 381,
D23/382, 356, 359, 360, 361, 362, 364,
D23/366, 390, 376; D28/11, 12, 17;
D24/200, 201
CPC F04D 29/329; F04D 29/526; F04D 29/325;
F04D 29/703; F04D 29/547; F04D
25/082; F04D 25/00; F04D 25/10; F04D
25/08; F04D 25/105; F04D 25/166; B65D
90/36; F23L 17/02; F23L 17/04; F24F
13/1406; F24F 1/02

See application file for complete search history.

(Continued)

Primary Examiner — Melanie Pellegrini

(74) *Attorney, Agent, or Firm* — Birch, Stewart, Kolasch & Birch, LLP

(57) **CLAIM**

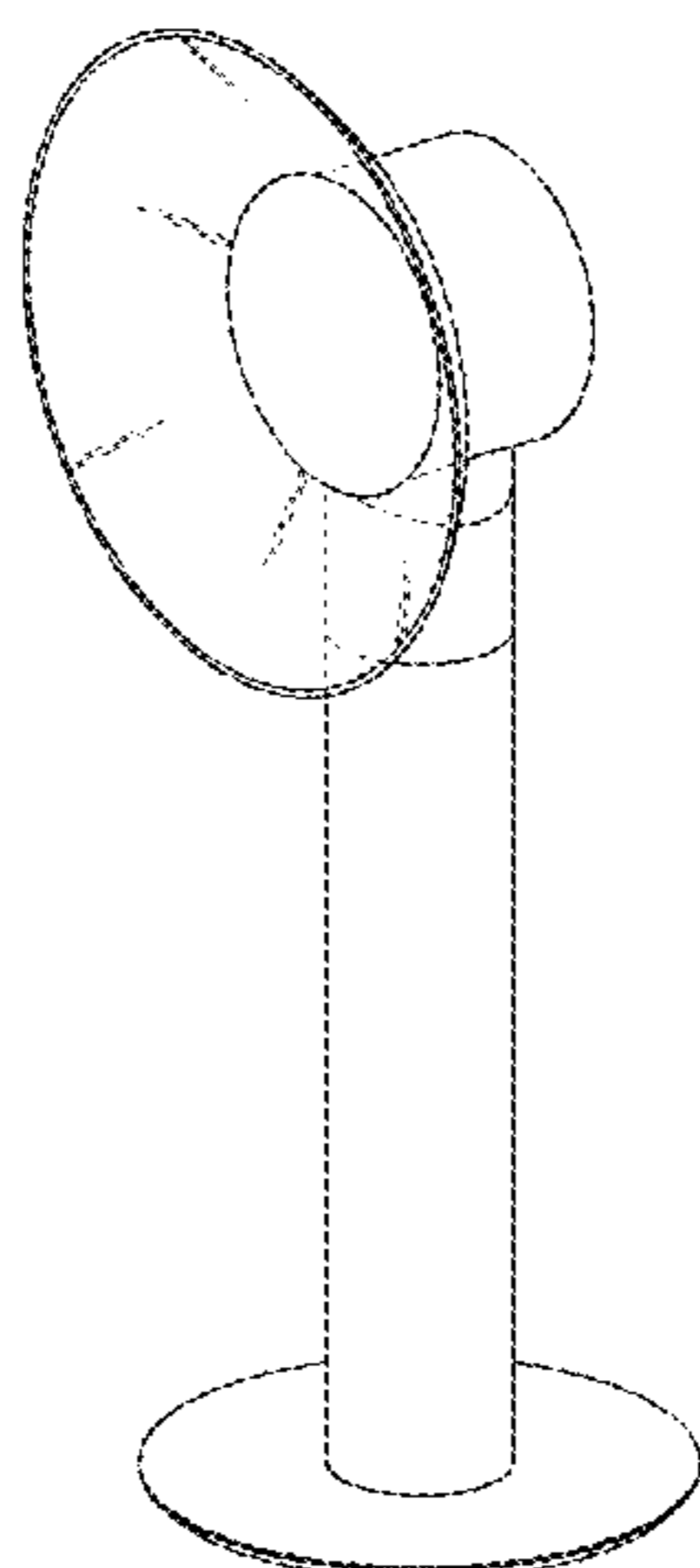
The ornamental design for a humidifying fan, as shown and described.

DESCRIPTION

1. Humidifying fan
Fig. 1.1 perspective
Fig. 1.2 front
Fig. 1.3 rear
Fig. 1.4 left side
Fig. 1.5 right side
Fig. 1.6 top
Fig. 1.7 bottom
Fig. 1.8 exploded

The broken lines shown in the drawings illustrate portions of the humidifying fan that form no part of the claimed design.

1 Claim, 8 Drawing Sheets



(56)

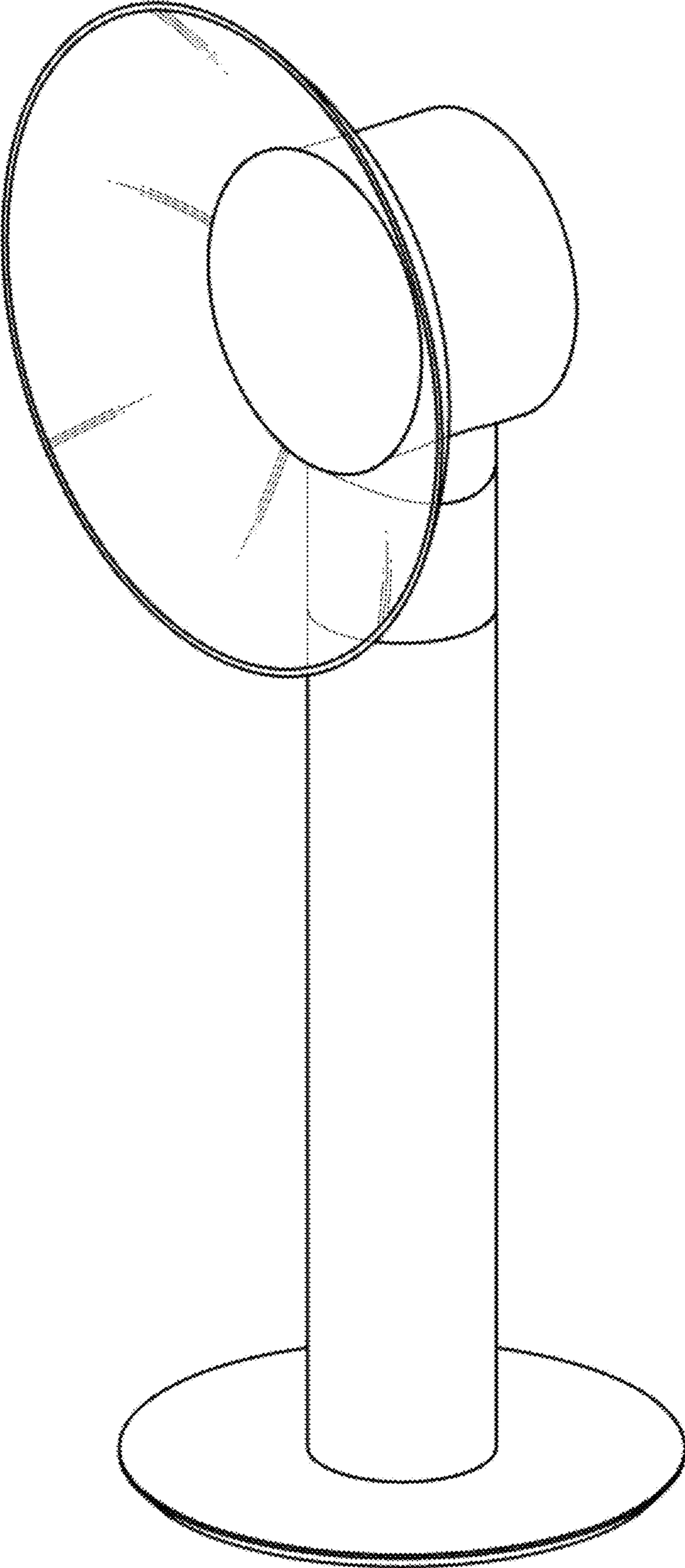
References Cited

U.S. PATENT DOCUMENTS

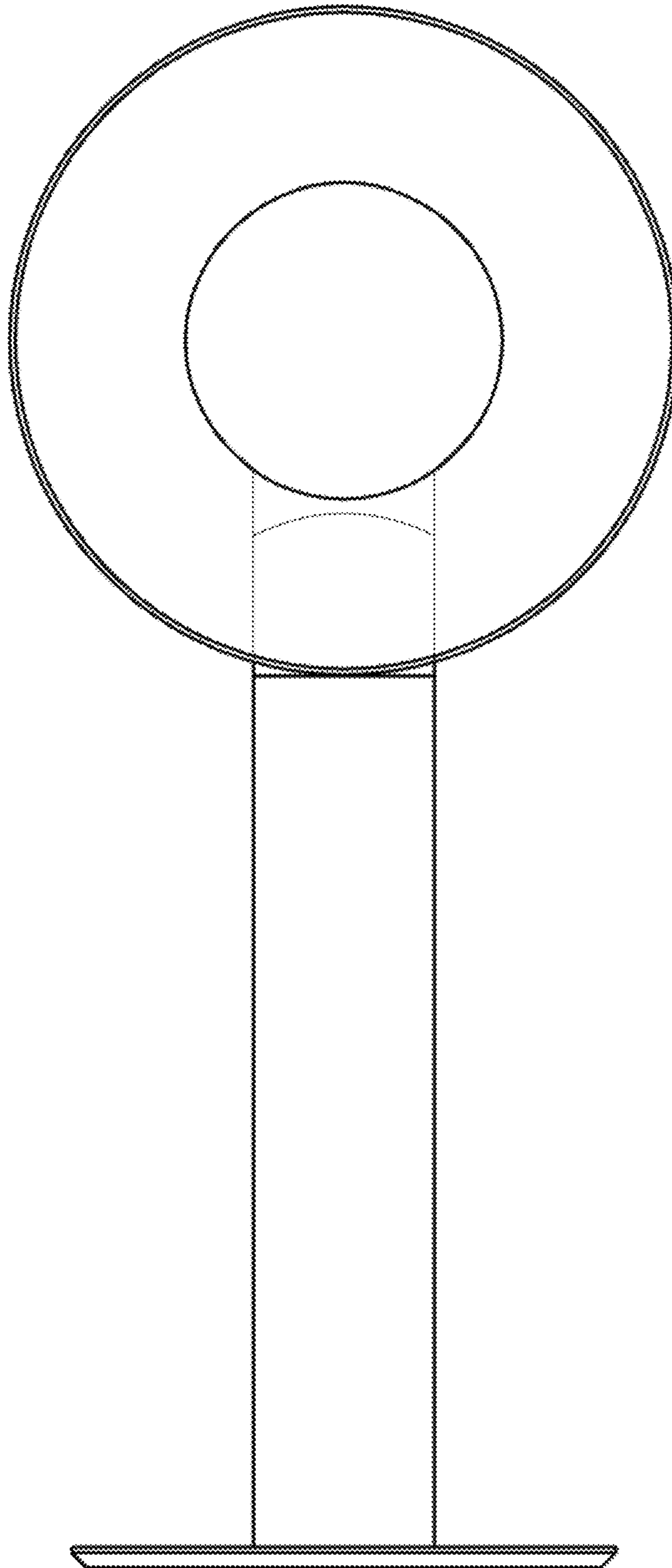
D803,381 S * 11/2017 Kim D23/378
D803,382 S * 11/2017 Kim D23/378
9,816,531 B2 * 11/2017 Simmonds F04D 29/703
9,926,804 B2 * 3/2018 Nicolas F01D 25/00
2010/0226754 A1 * 9/2010 Hutton F24F 7/065
415/90
2016/0215782 A1 * 7/2016 Xie F04D 25/08

* cited by examiner

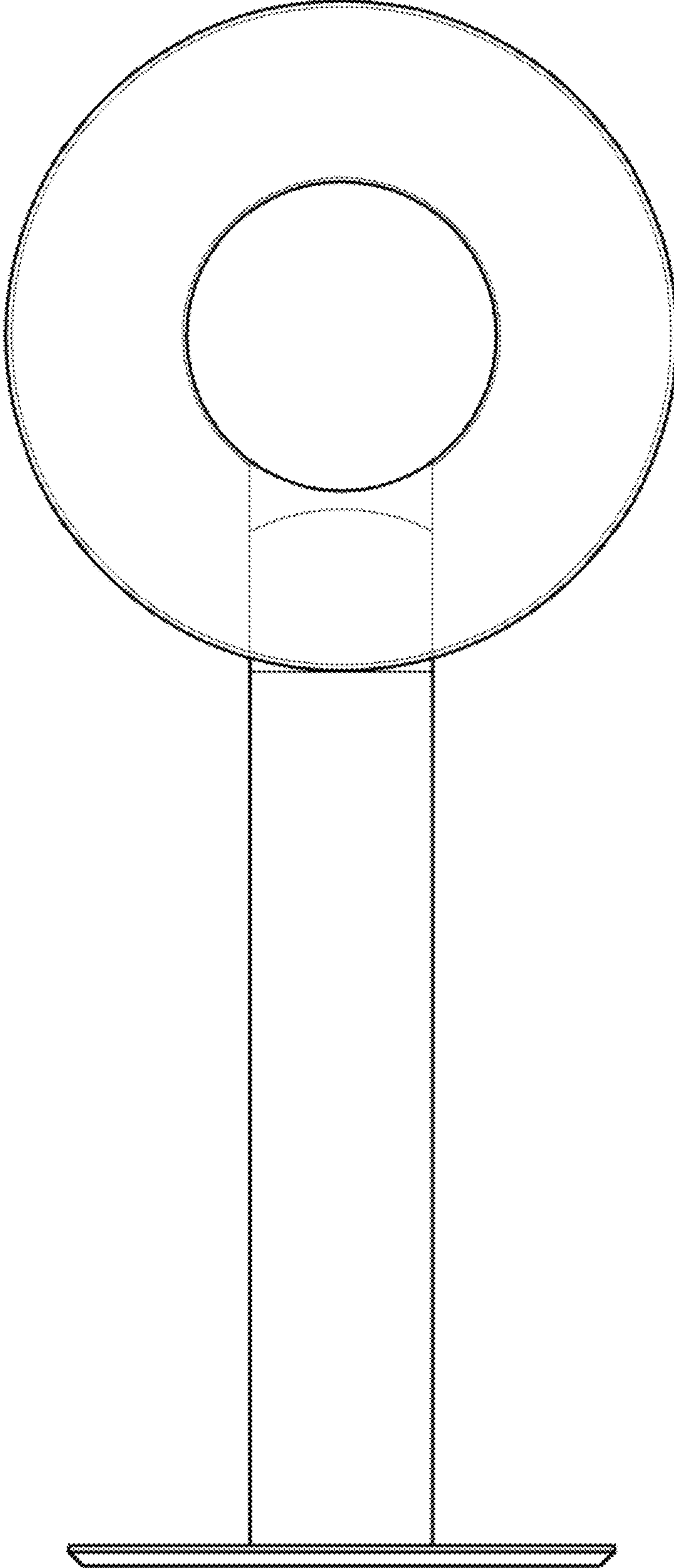
1.1



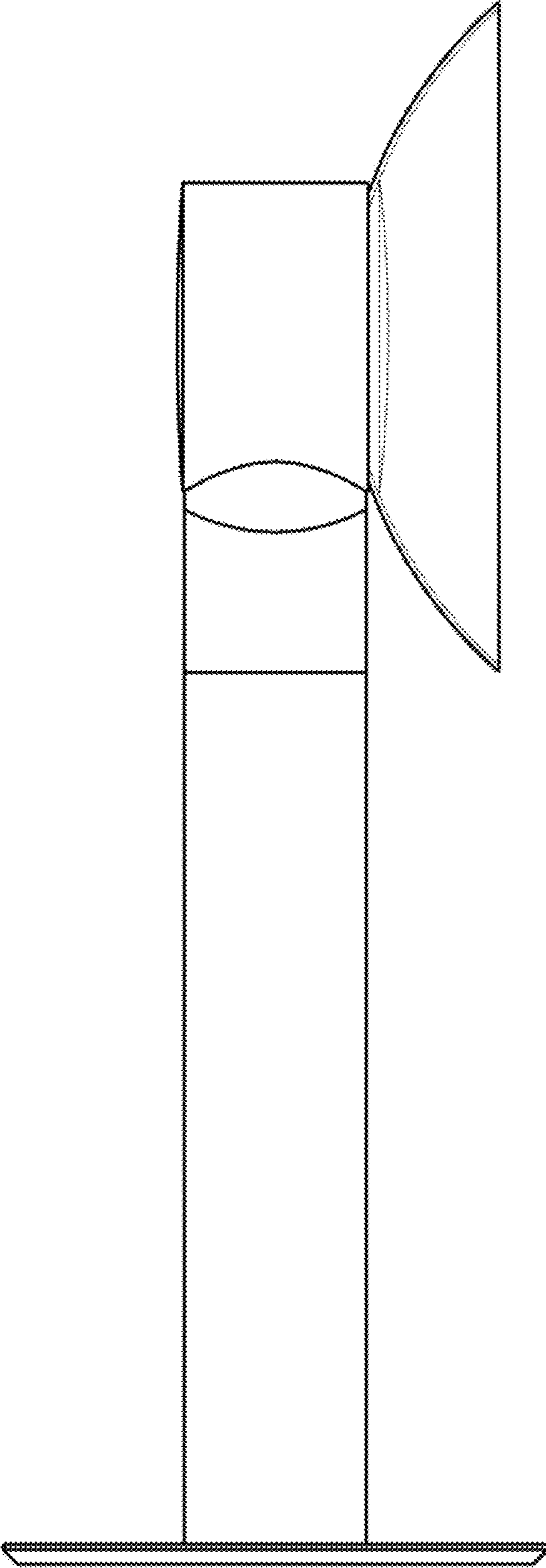
1.2



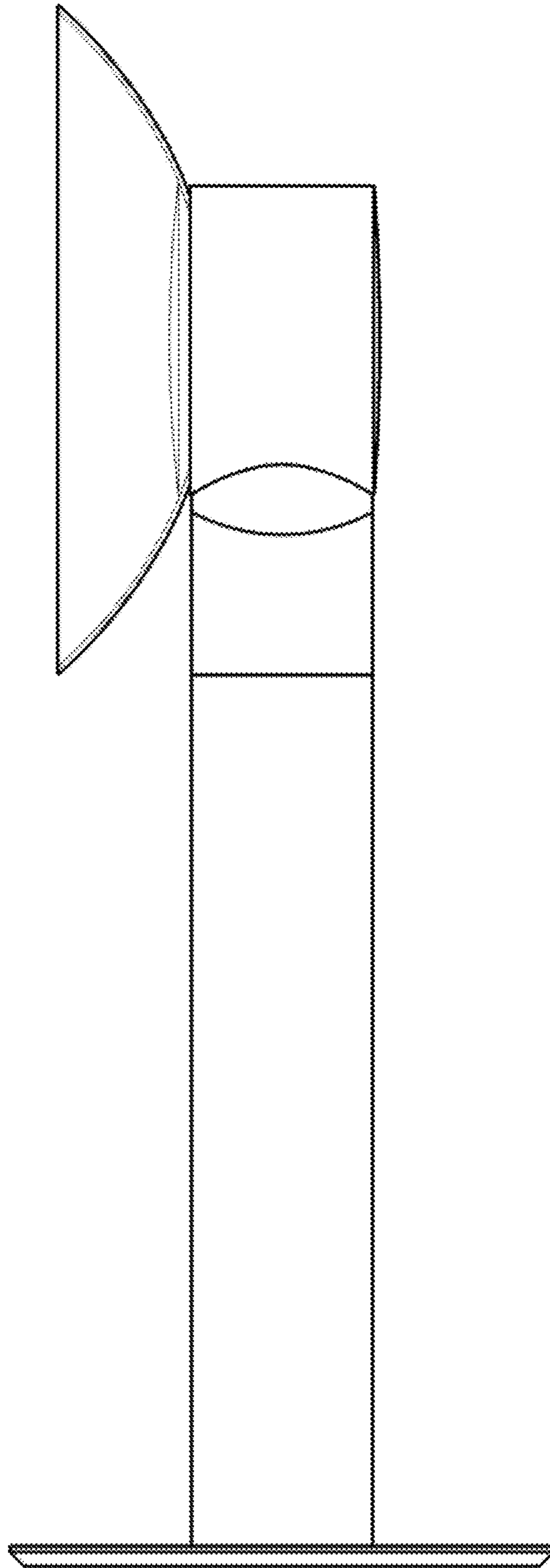
1.3



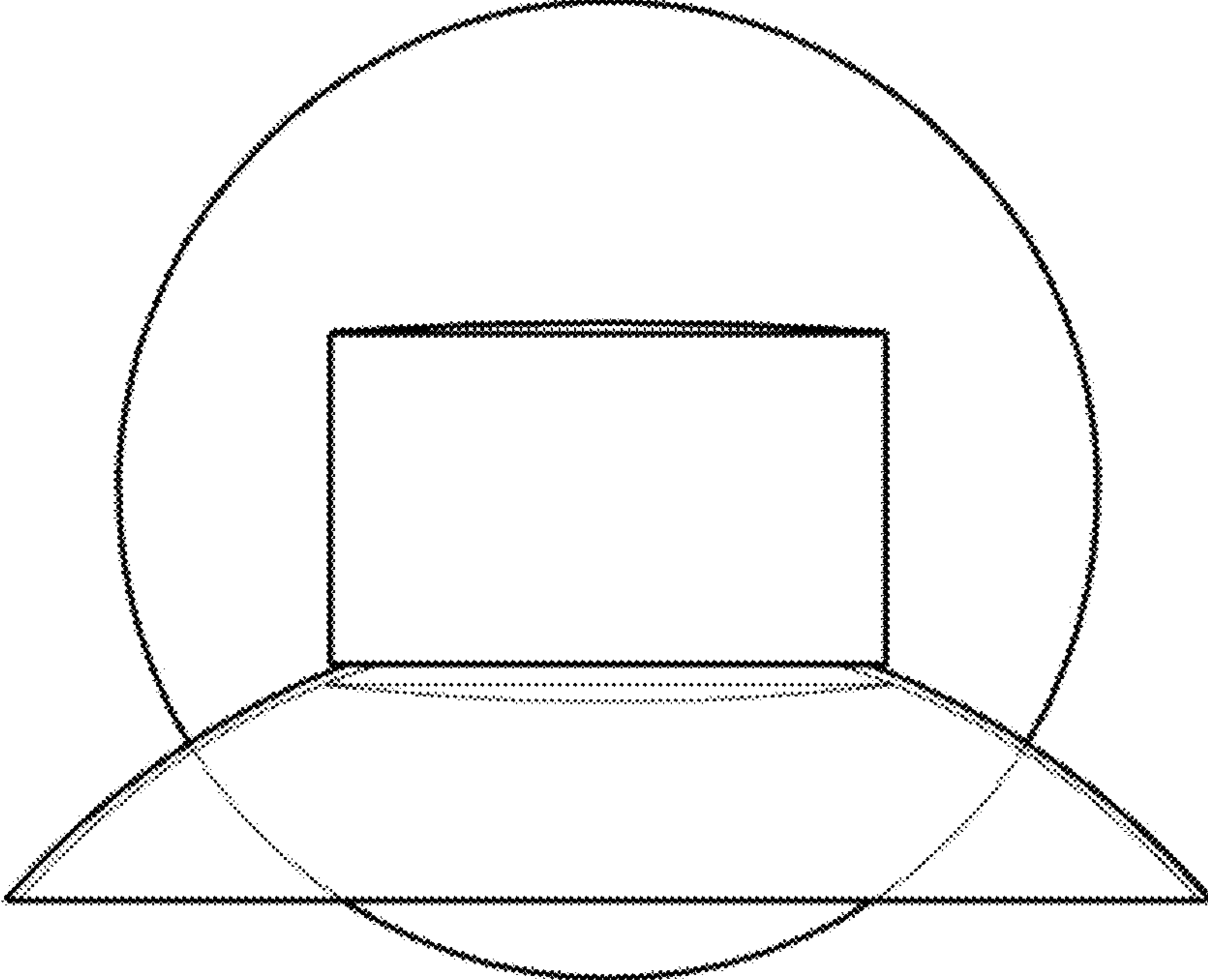
1.4



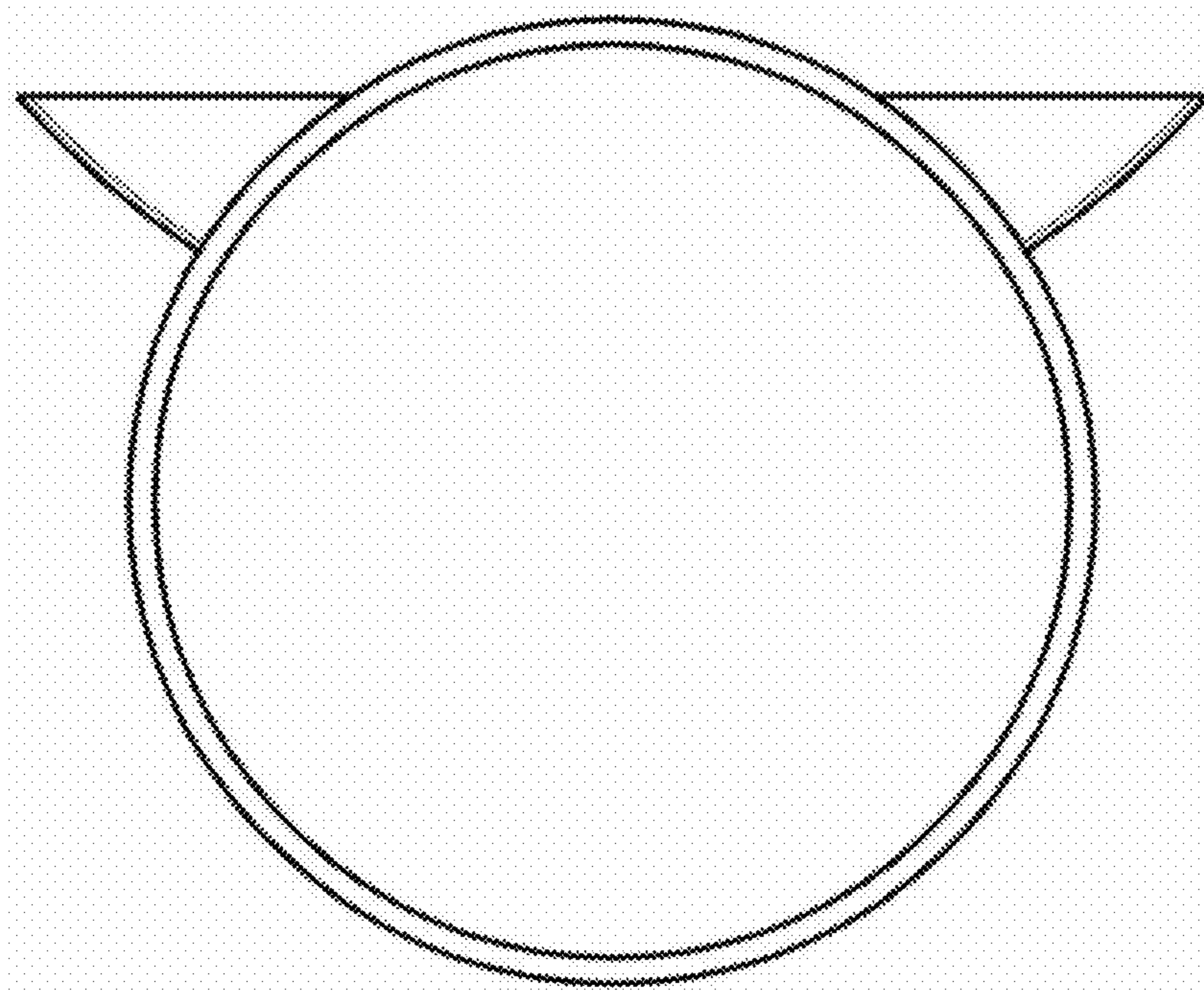
1.5



1.6



1.7



1.8

