



US00D831807S

(12) **United States Design Patent** (10) **Patent No.:** **US D831,807 S**  
**Baek et al.** (45) **Date of Patent:** **\*\* Oct. 23, 2018**

(54) **HUMIDIFYING FAN**

(56) **References Cited**

(71) Applicant: **LG ELECTRONICS INC.**, Seoul (KR)

U.S. PATENT DOCUMENTS

(72) Inventors: **Seungho Baek**, Seoul (KR); **Huijae Kwon**, Seoul (KR); **Minha Lee**, Seoul (KR); **Hyein Jung**, Seoul (KR); **Yunseo Jang**, Seoul (KR)

D70,434 S *	6/1926	Landberg .....	D28/12
D184,706 S *	3/1959	Blount et al. ....	D28/17
D451,180 S *	11/2001	Hoare .....	D23/356
D511,570 S *	11/2005	Ke .....	D23/378
D614,280 S *	4/2010	Dyson .....	D23/370
D676,124 S *	2/2013	Almanza .....	D23/378
D684,250 S *	6/2013	Hubert .....	D23/356
D782,641 S *	3/2017	Poulton .....	D23/370
9,797,414 B2 *	10/2017	Hodgson .....	F04F 5/48
D802,732 S *	11/2017	Kim .....	D23/378
D802,733 S *	11/2017	Kim .....	D23/378
D802,734 S *	11/2017	Kim .....	D23/378
D802,737 S *	11/2017	Kim .....	D23/378
D802,741 S *	11/2017	Kim .....	D23/378

(73) Assignee: **LG ELECTRONICS INC.**, Seoul (KR)

(\*\*) Term: **15 Years**

(21) Appl. No.: **35/503,483**

(22) Filed: **Feb. 9, 2017**

(80) **Hague Agreement Data**

Int. Filing Date: **Feb. 9, 2017**  
Int. Reg. No.: **DM/094855**  
Int. Reg. Date: **Feb. 9, 2017**  
Int. Reg. Pub. Date: **Aug. 11, 2017**

(30) **Foreign Application Priority Data**

Aug. 12, 2016 (KR) ..... 30-2016-0039718

(51) **LOC (11) Cl.** ..... **23-04**

(52) **U.S. Cl.**  
USPC ..... **D23/356**

(58) **Field of Classification Search**  
USPC ..... D23/370, 355, 314, 414, 371, 377, 385, D23/411, 383, 373, 378, 379, 380, 381, D23/382, 356, 359, 360, 361, 362, 364, D23/366, 390, 376; D28/11, 12, 17; D24/200, 201  
CPC .... F04D 29/329; F04D 29/526; F04D 29/325; F04D 29/703; F04D 29/547; F04D 25/082; F04D 25/00; F04D 25/10; F04D 25/08; F04D 25/105; F04D 25/166; B65D 90/36; F23L 17/02; F23L 17/04; F24F 13/1406; F24F 1/02

See application file for complete search history.

(Continued)

*Primary Examiner* — Melanie Pellegrini

(74) *Attorney, Agent, or Firm* — Birch, Stewart, Kolasch & Birch, LLP

(57) **CLAIM**

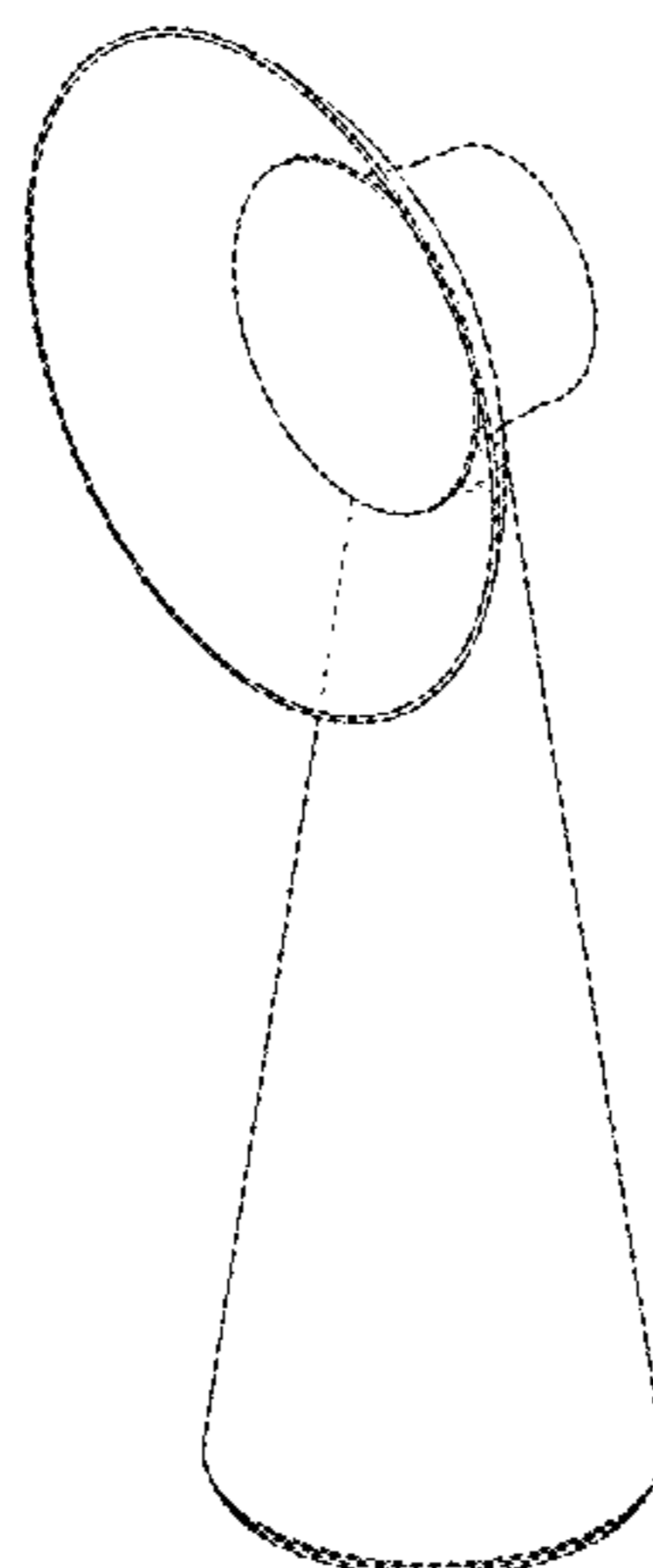
The ornamental design for a humidifying fan, as shown and described.

**DESCRIPTION**

- 1. Humidifying fan
- FIG. 1.1 perspective
- FIG. 1.2 front
- FIG. 1.3 rear
- FIG. 1.4 left side
- FIG. 1.5 right side
- FIG. 1.6 top
- FIG. 1.7 bottom
- FIG. 1.8 exploded

The broken lines shown in the drawings illustrate portions of the humidifying fan that form no part of the claimed design.

**1 Claim, 8 Drawing Sheets**



(56)

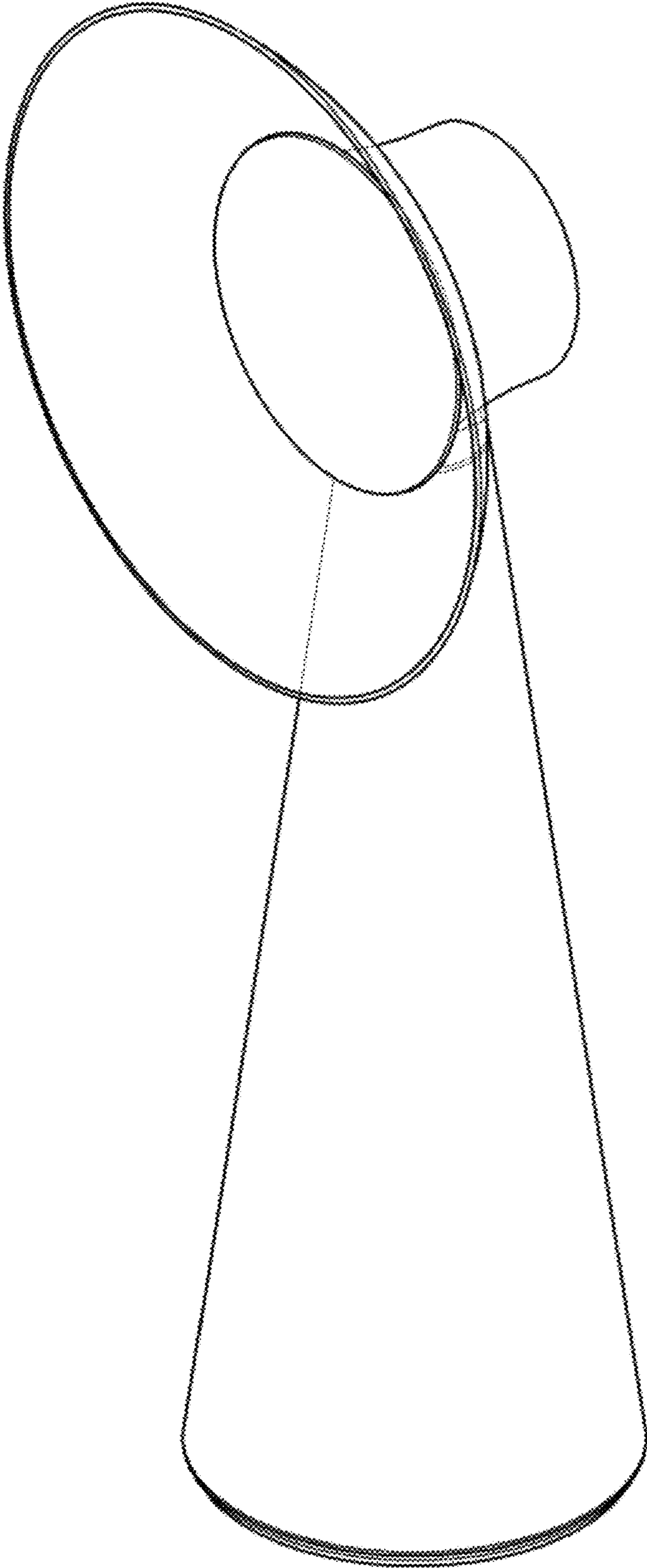
**References Cited**

U.S. PATENT DOCUMENTS

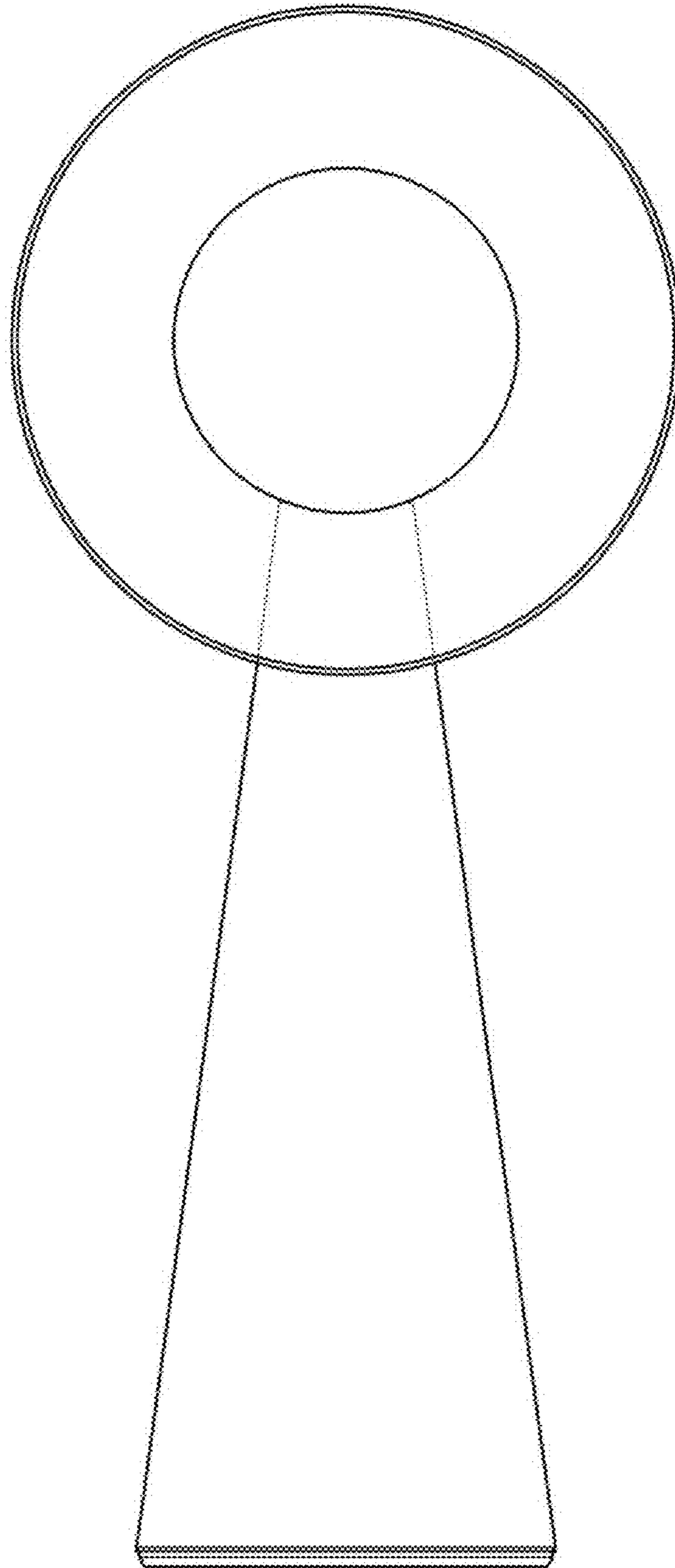
D803,381 S \* 11/2017 Kim ..... D23/378  
D803,382 S \* 11/2017 Kim ..... D23/378  
9,816,531 B2 \* 11/2017 Simmonds ..... F04D 29/703  
9,926,804 B2 \* 3/2018 Nicolas ..... F01D 25/00  
2010/0226754 A1 \* 9/2010 Hutton ..... F24F 7/065  
415/90  
2016/0215782 A1 \* 7/2016 Xie ..... F04D 25/08

\* cited by examiner

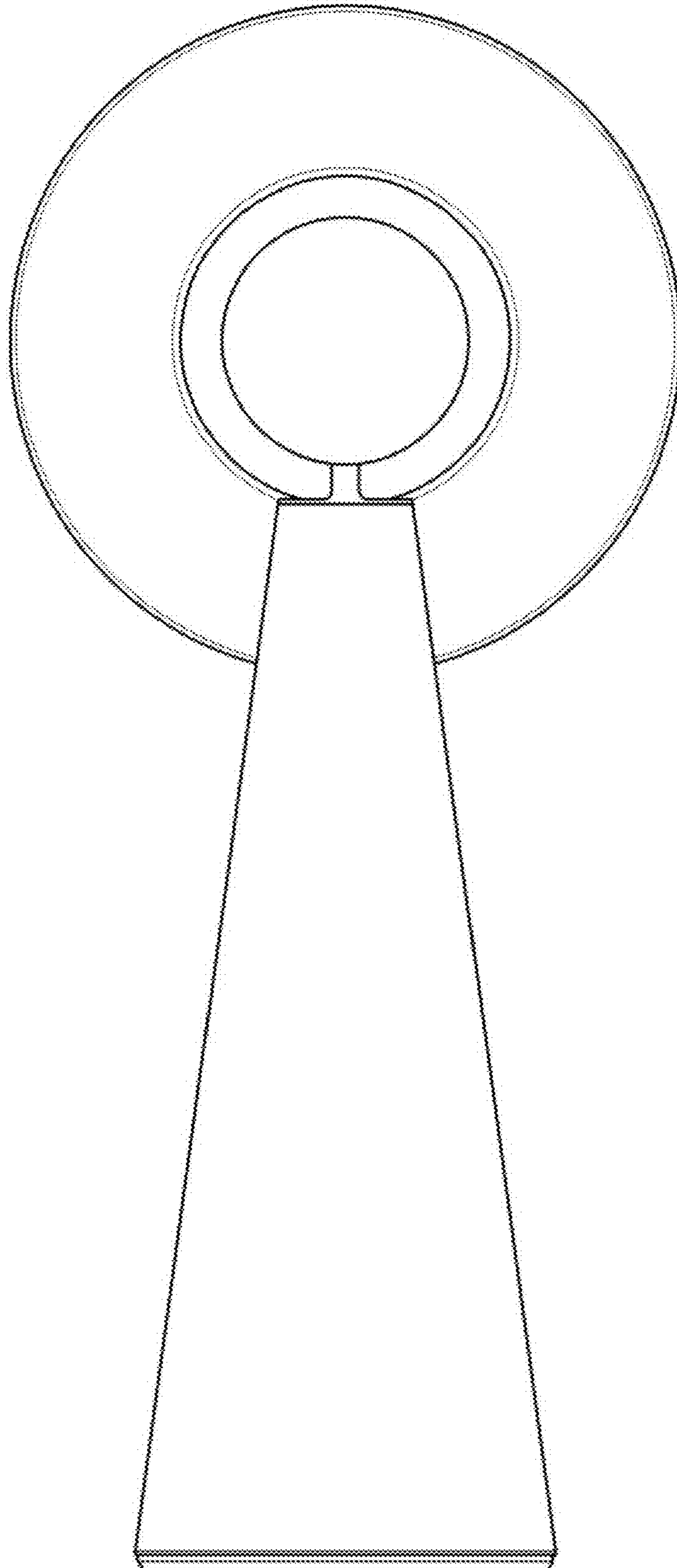
1.1



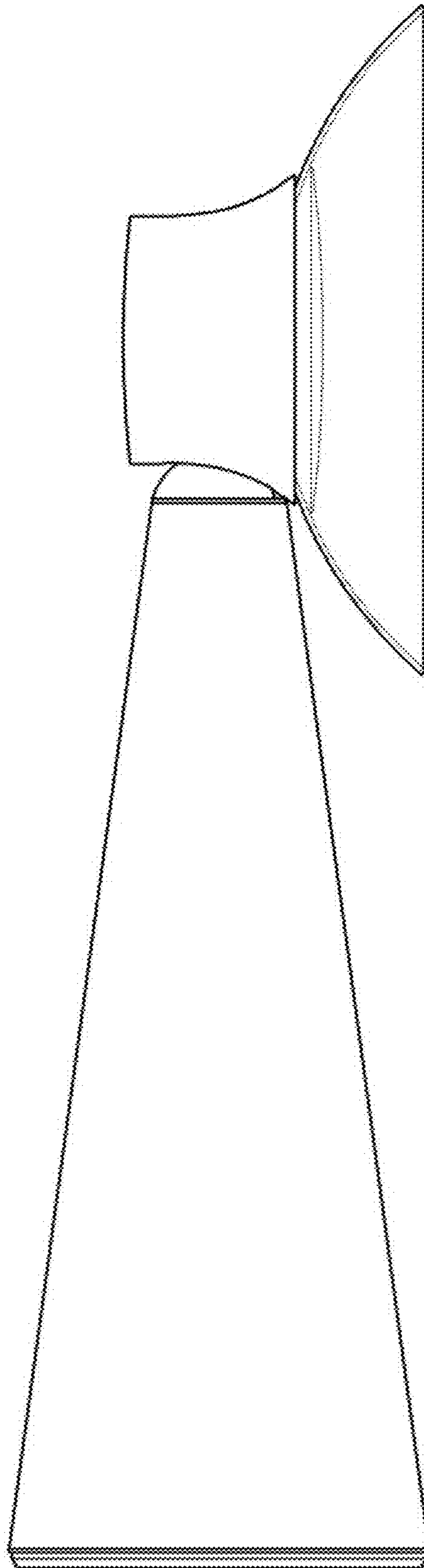
1.2



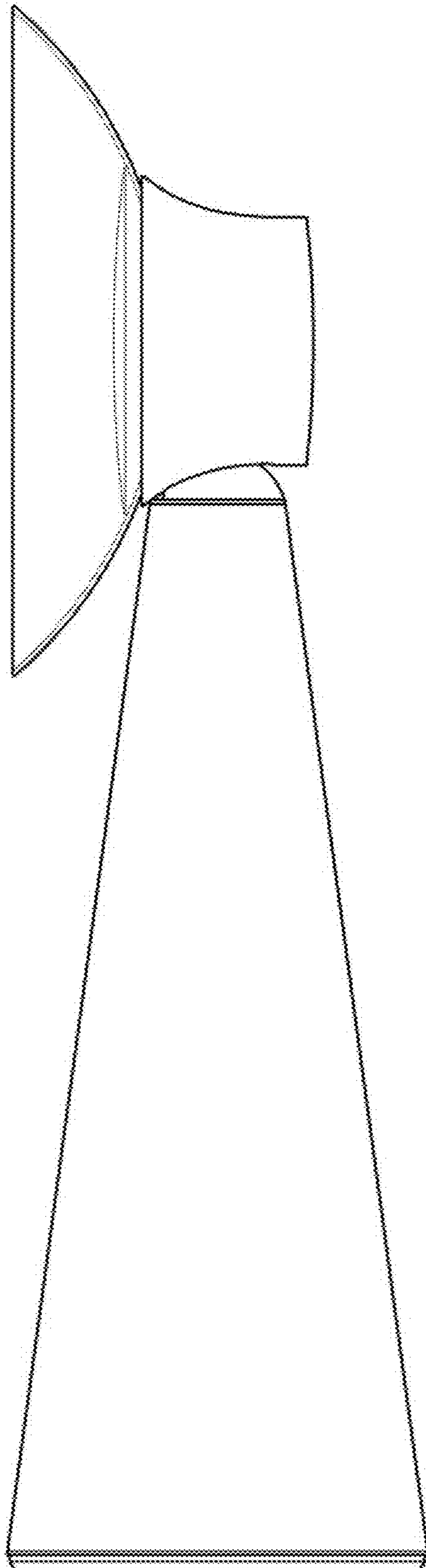
1.3



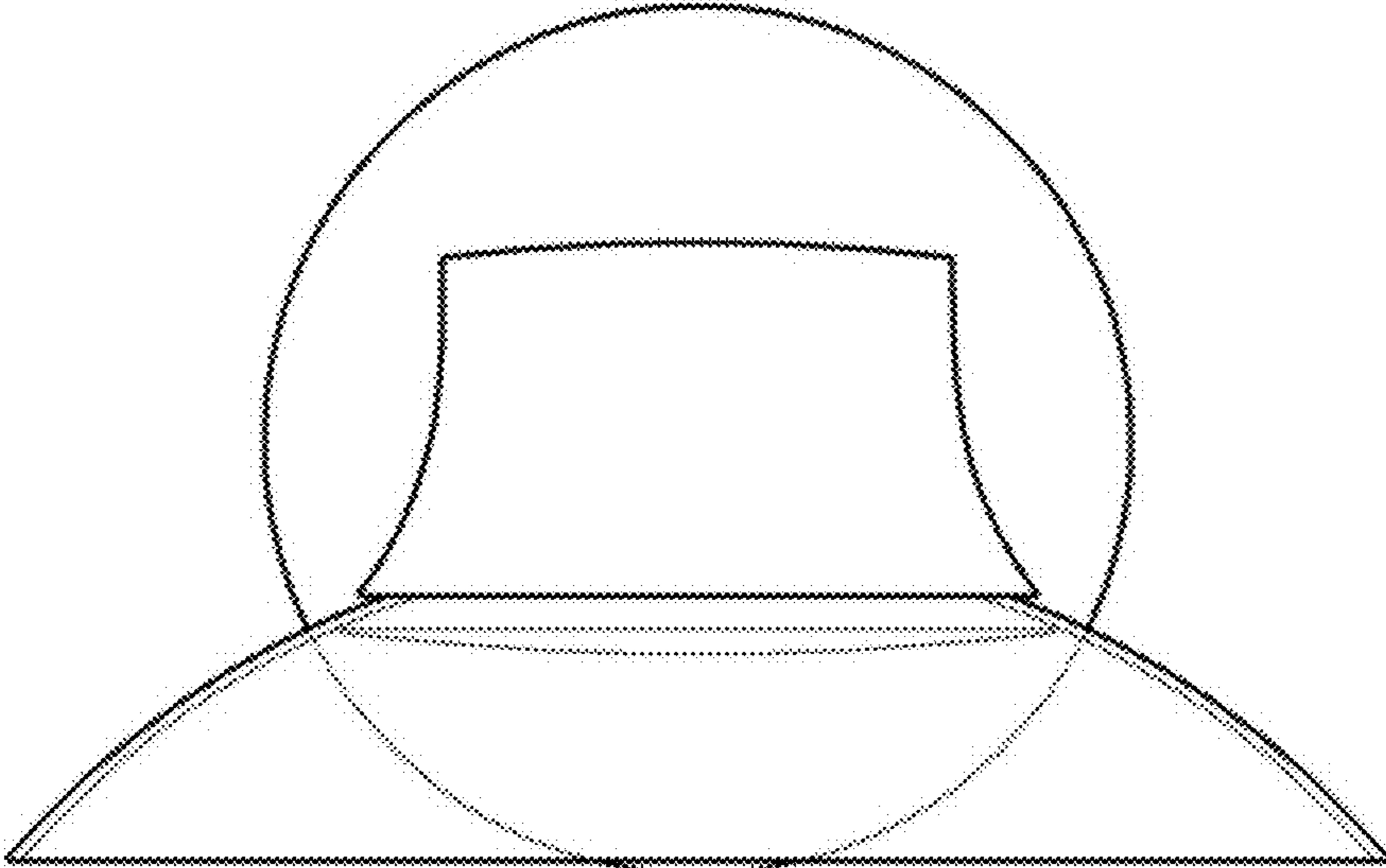
1.4



1.5

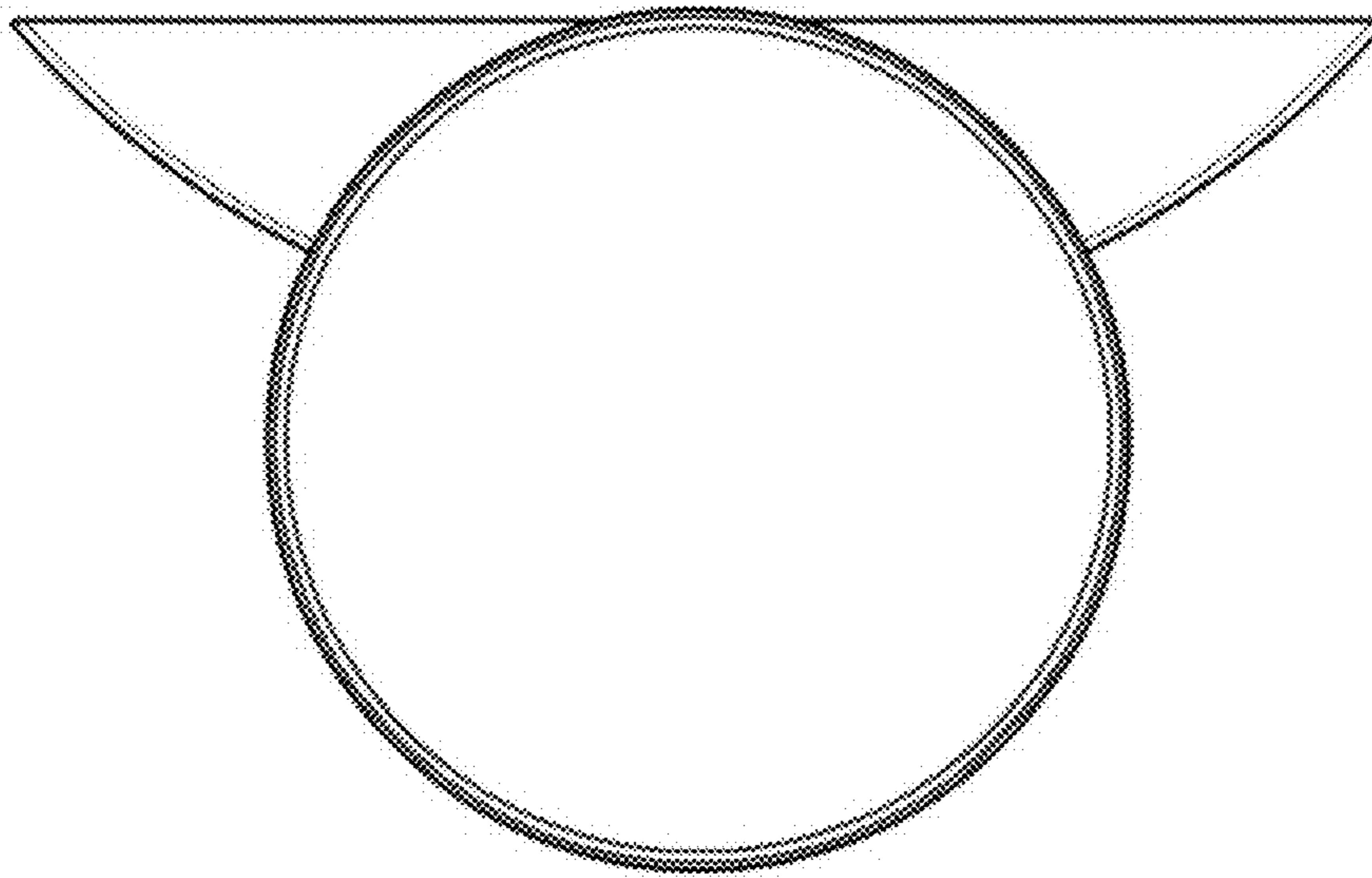


1.6





1.7



1.8

