



US00D831799S

(12) **United States Design Patent**
Obara et al.

(10) **Patent No.:** **US D831,799 S**

(45) **Date of Patent:** **** Oct. 23, 2018**

(54) **WATER CLOSET**

(71) Applicant: **TOTO, Ltd.**, Kitakyushu-shi, Fukuoka (JP)

(72) Inventors: **Mitsuya Obara**, Kitakyushu (JP);
Minoru Tani, Kitakyushu (JP); **James Kaoru Bury**, Kitakyushu (JP)

(73) Assignee: **TOTO, Ltd.**, Kitakyushu-shi, Fukuoka (JP)

(**) Term: **15 Years**

(21) Appl. No.: **29/597,741**

(22) Filed: **Mar. 20, 2017**

(51) **LOC (11) Cl.** **23-01**

(52) **U.S. Cl.**
USPC **D23/301**

(58) **Field of Classification Search**
USPC D23/295–301, 303, 309, 313
CPC A47K 11/02; A47K 11/026; A47K 11/00;
A47K 13/00; E03D 11/18; E03D 5/10;
E03D 13/00

See application file for complete search history.

(56) **References Cited**

U.S. PATENT DOCUMENTS

D437,634 S *	2/2001	Hundley	D23/301
D439,638 S *	3/2001	Hundley	D23/295
D507,822 S *	7/2005	Bucher	D23/301
D532,875 S *	11/2006	Kaule	D23/301
D558,863 S *	1/2008	Taguchi	D23/295
D624,165 S *	9/2010	Yokoyama	D23/301

D653,314 S *	1/2012	Yoshioka	D23/301
D764,033 S *	8/2016	Chuk	D23/301
D801,493 S *	10/2017	Bates	D23/309

* cited by examiner

Primary Examiner — Brandon M Rosati

Assistant Examiner — John A Voytek

(74) *Attorney, Agent, or Firm* — Banner & Witcoff, Ltd.

(57) **CLAIM**

The ornamental design for a water closet, as shown and described.

DESCRIPTION

FIG. 1 is a perspective view of a water closet according to a first embodiment showing our new design;

FIG. 2 is a front view thereof;

FIG. 3 is a rear view thereof;

FIG. 4 is a left side view thereof;

FIG. 5 is a right side view thereof;

FIG. 6 is a top view thereof;

FIG. 7 is a bottom view thereof;

FIG. 8 is a perspective view of a water closet according to a second embodiment showing our new design;

FIG. 9 is a front view thereof;

FIG. 10 is a rear view thereof;

FIG. 11 is a left side view thereof;

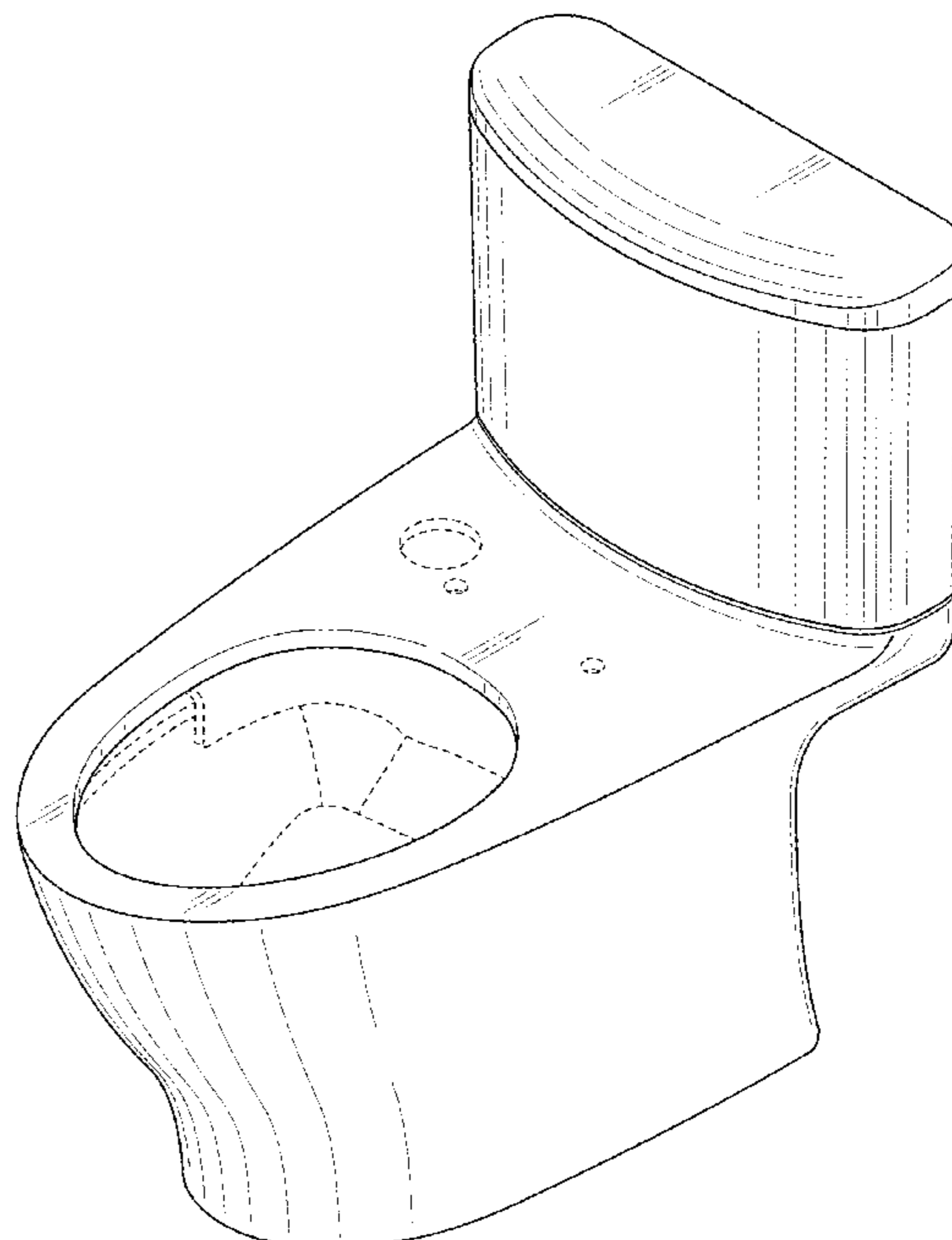
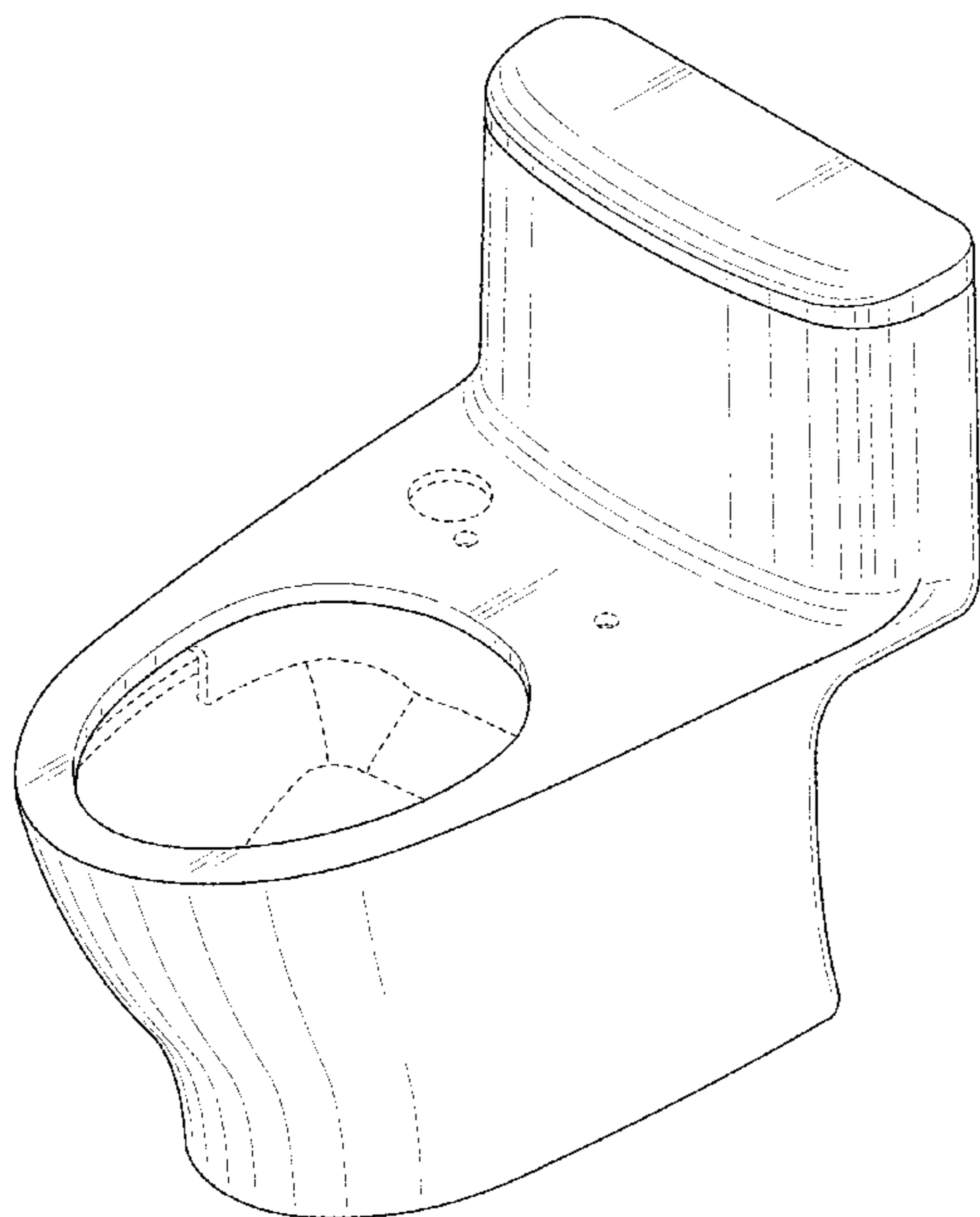
FIG. 12 is a right side view thereof;

FIG. 13 is a top view thereof; and,

FIG. 14 is a bottom view thereof.

The broken lines in the figures are included for the purpose of illustrating portions of the water closet that form no part of the claimed design.

1 Claim, 14 Drawing Sheets



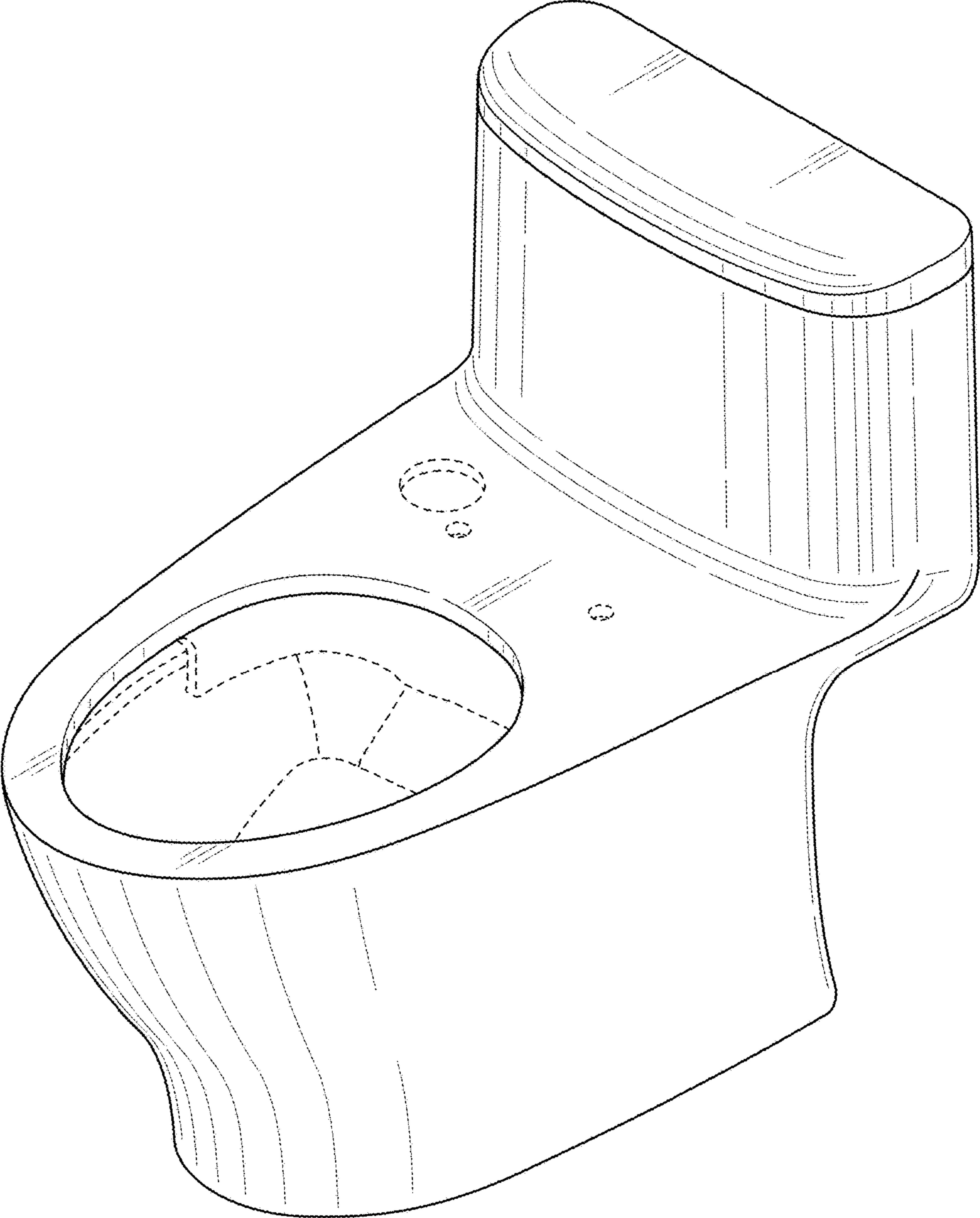


FIG. 1

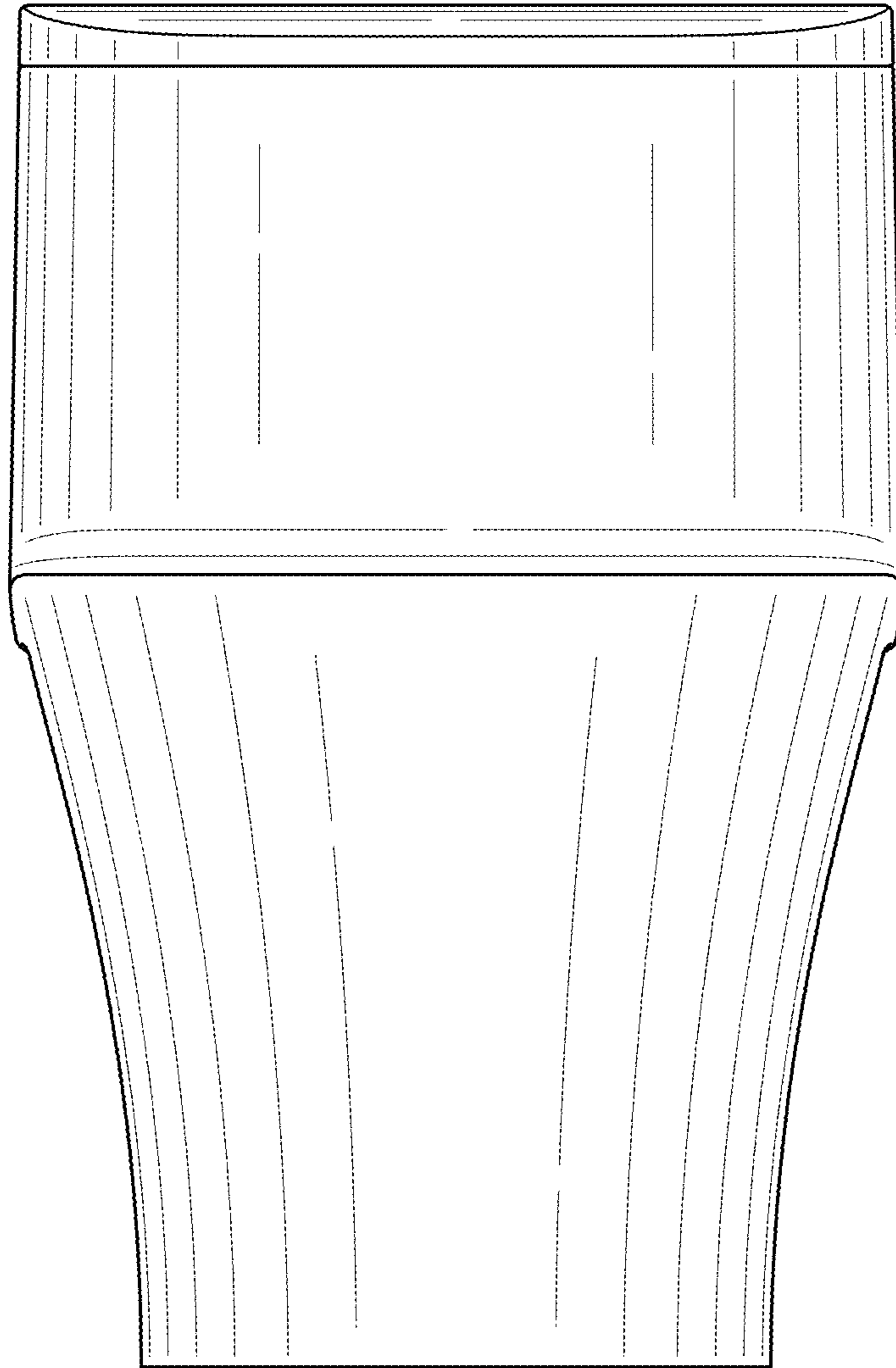


FIG. 2

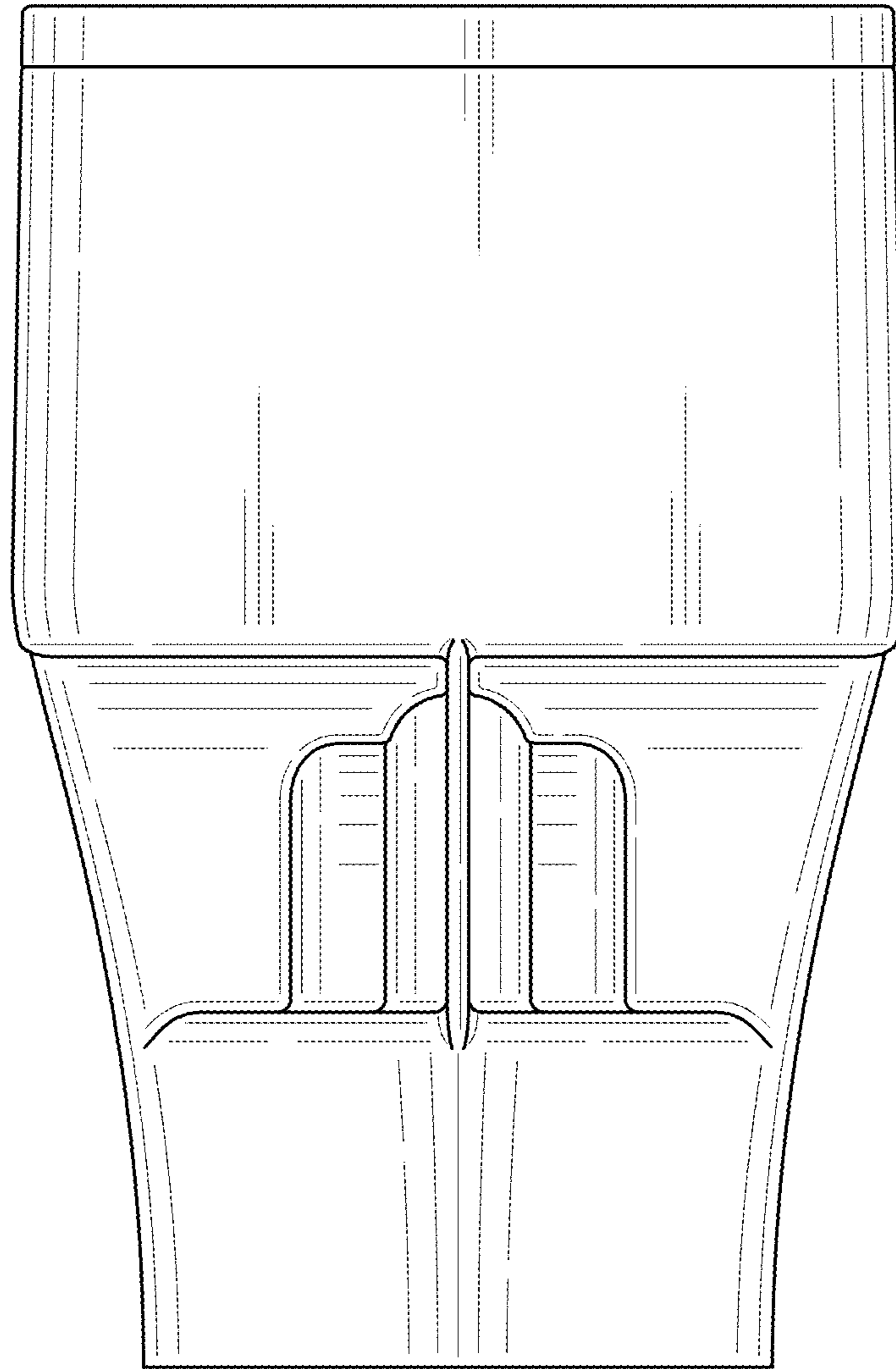


FIG. 3

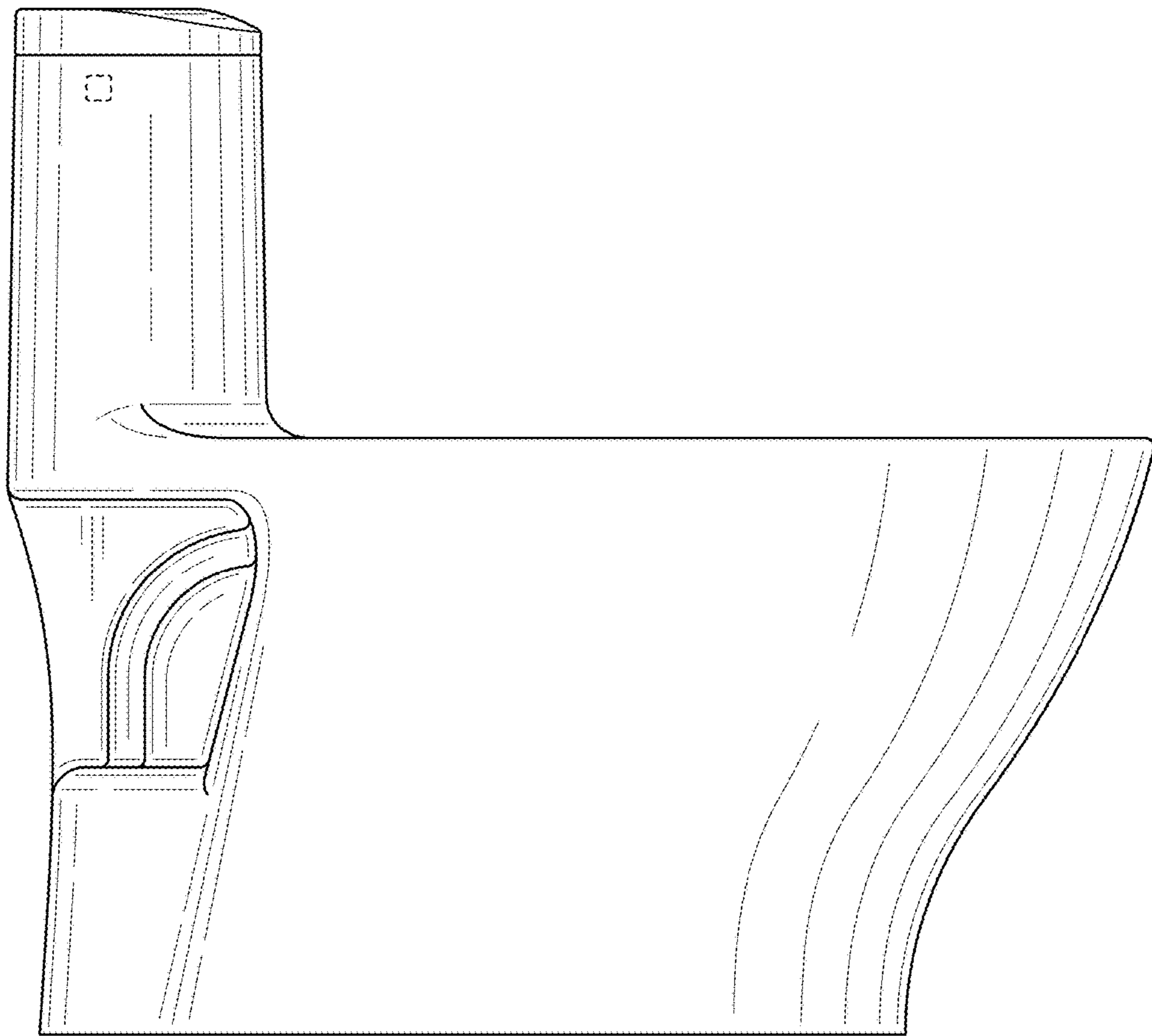


FIG. 4

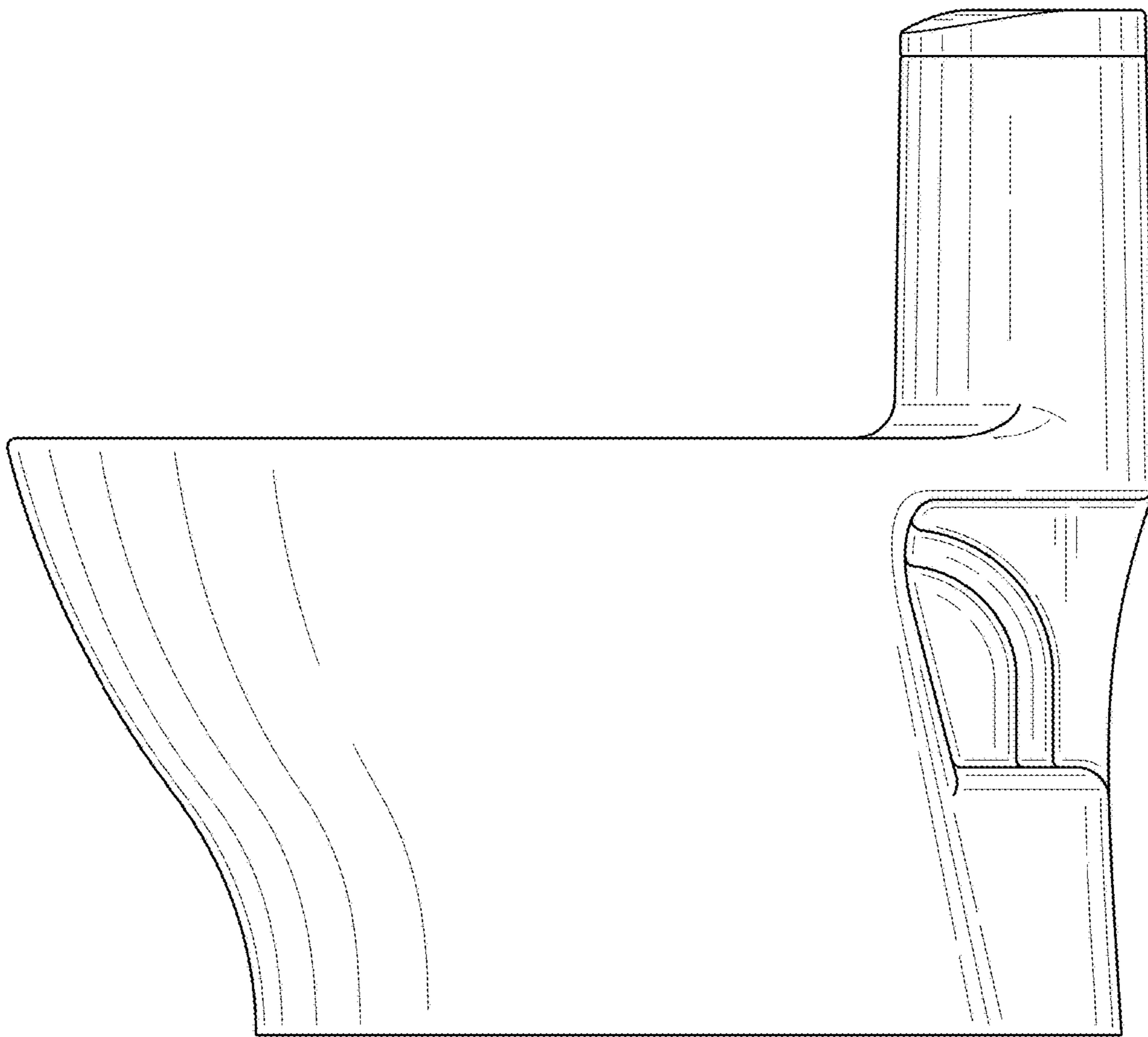


FIG. 5

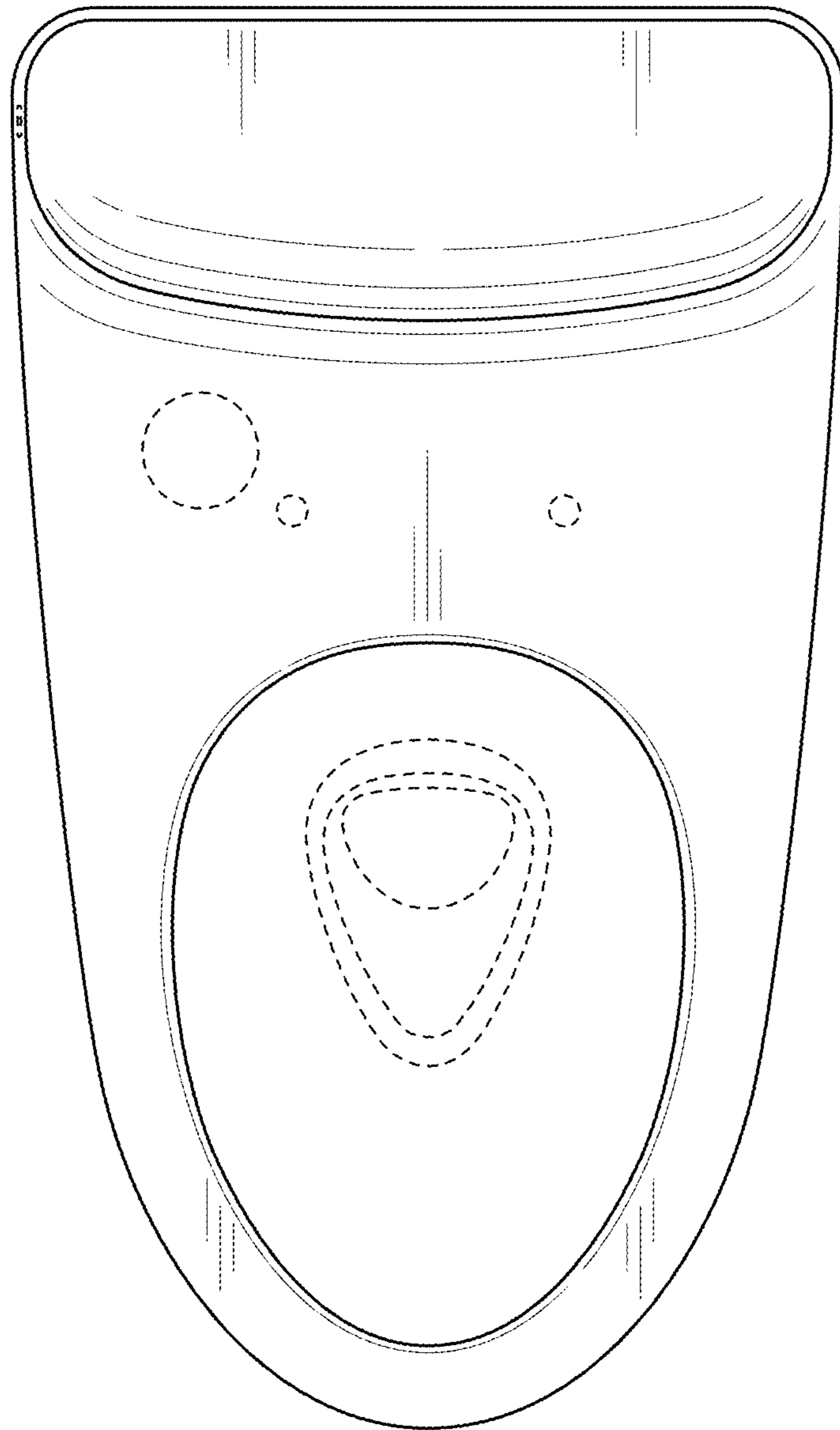


FIG. 6

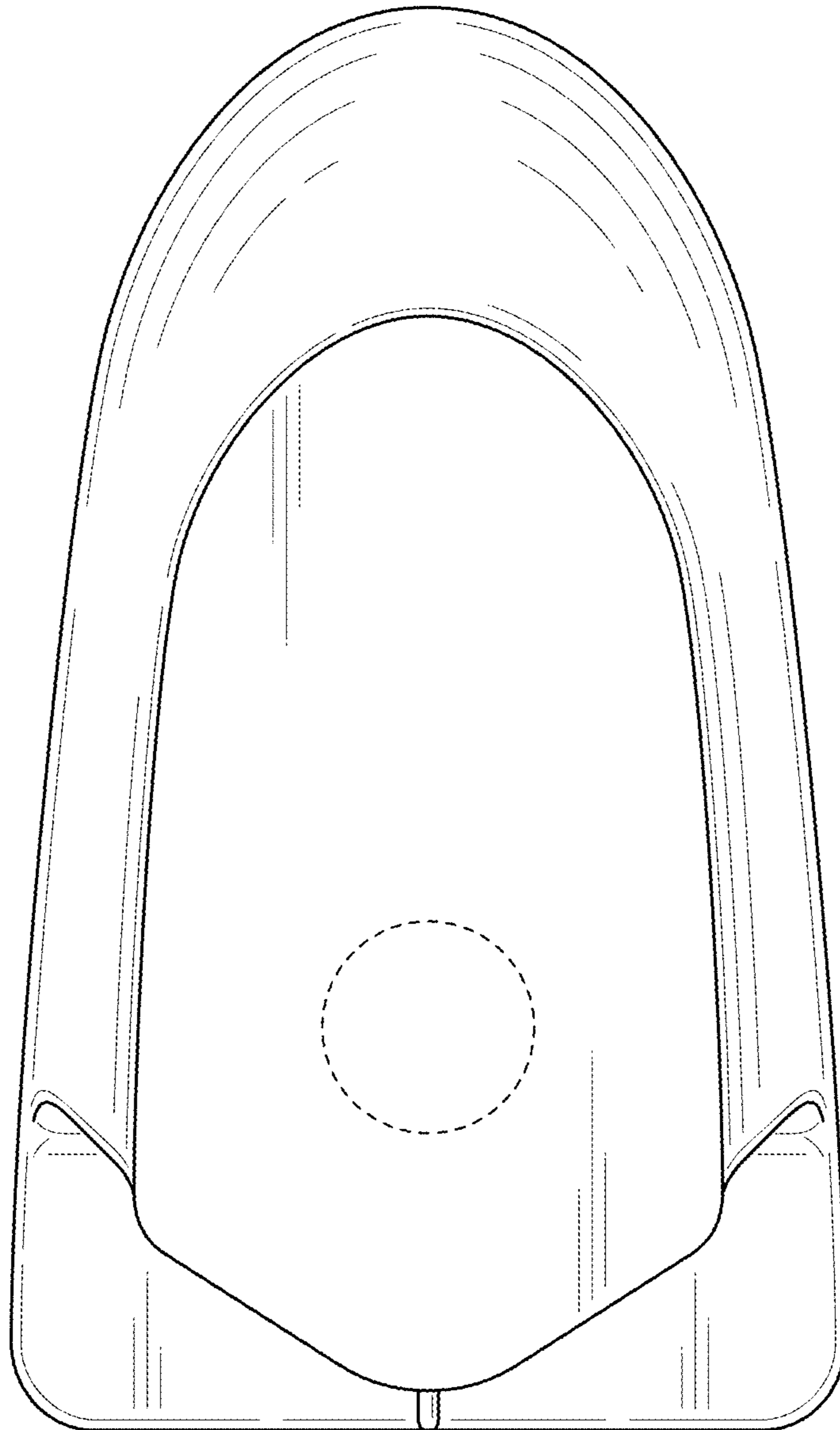


FIG. 7

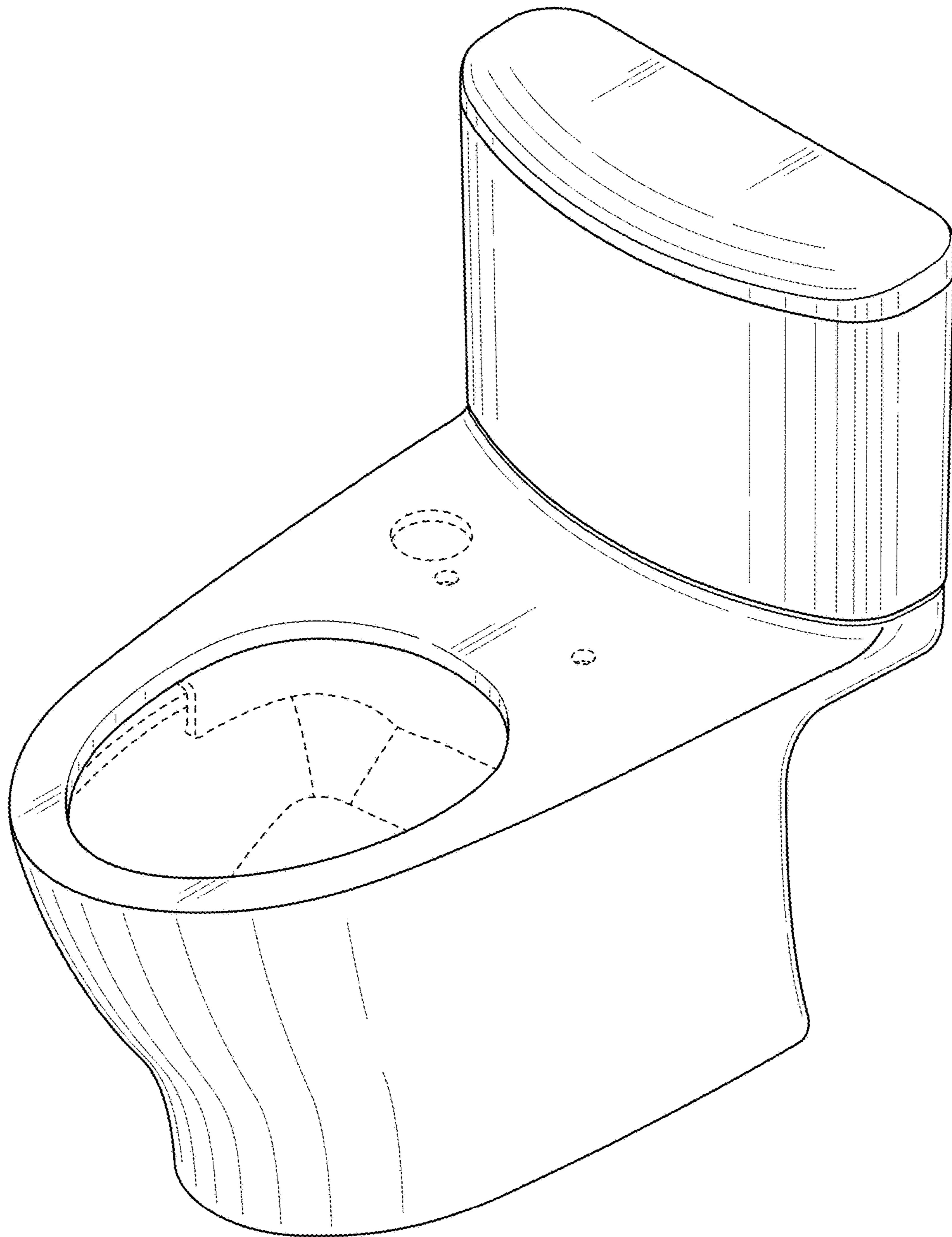


FIG. 8

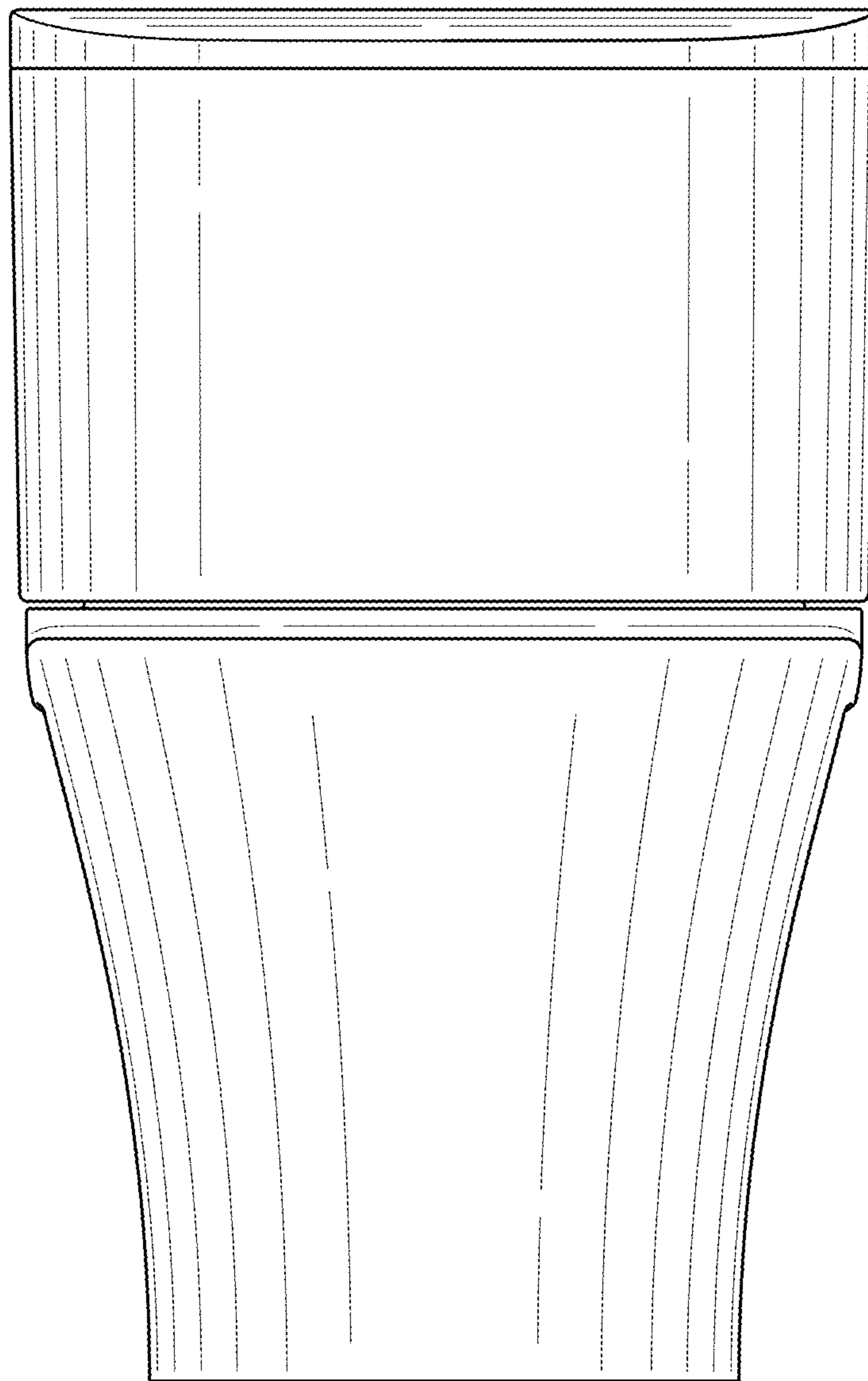


FIG. 9

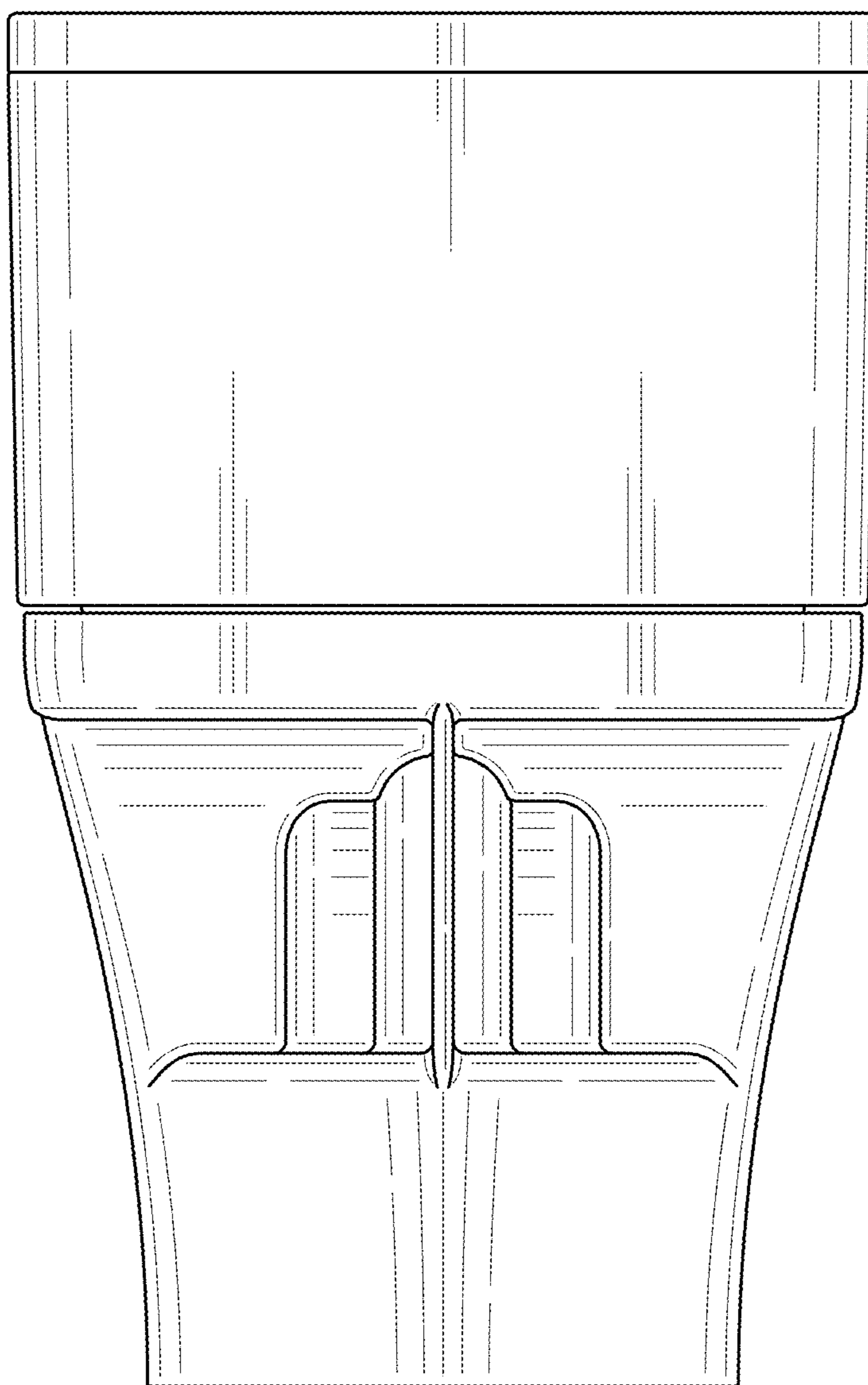


FIG. 10

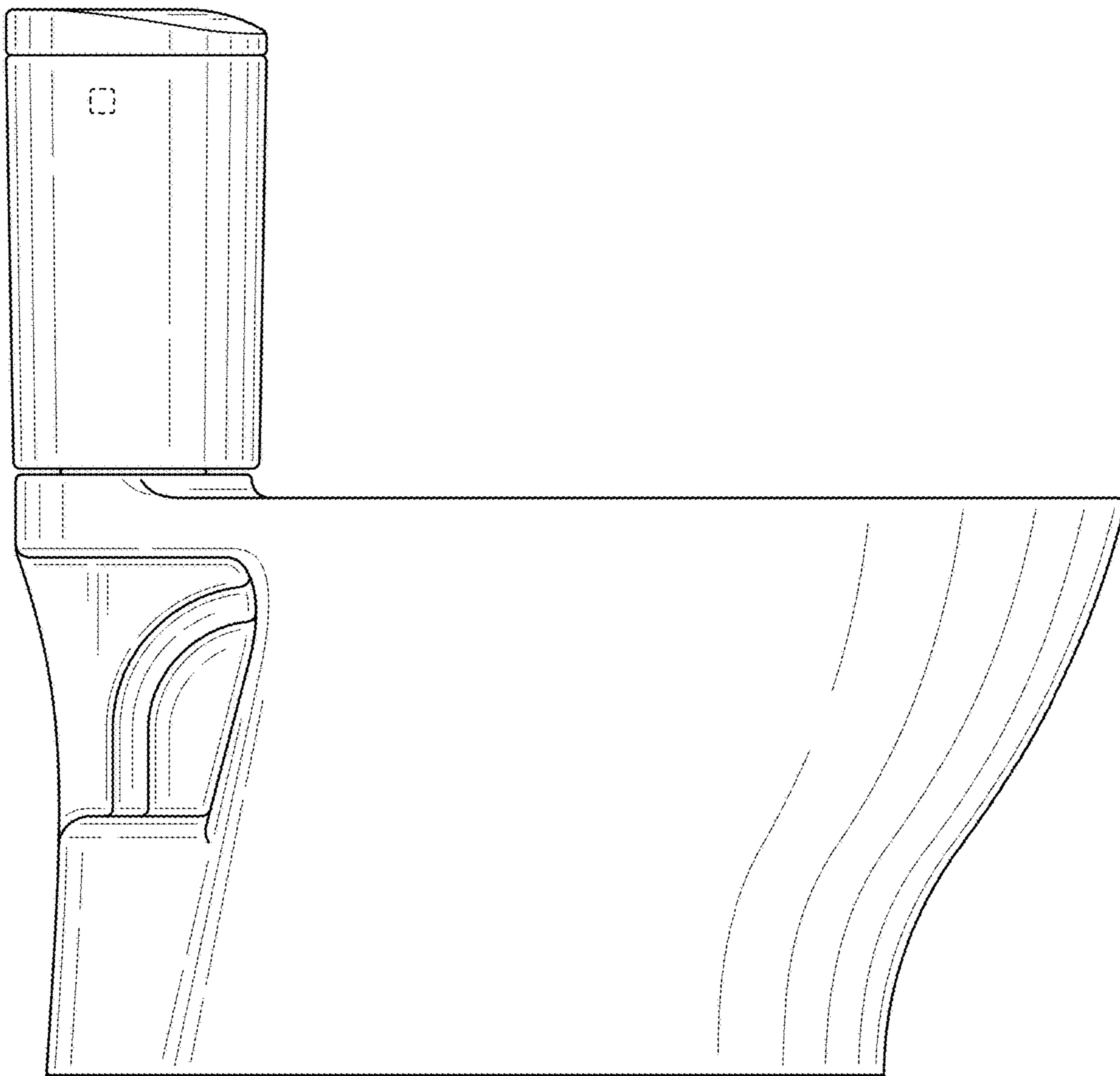


FIG. 11

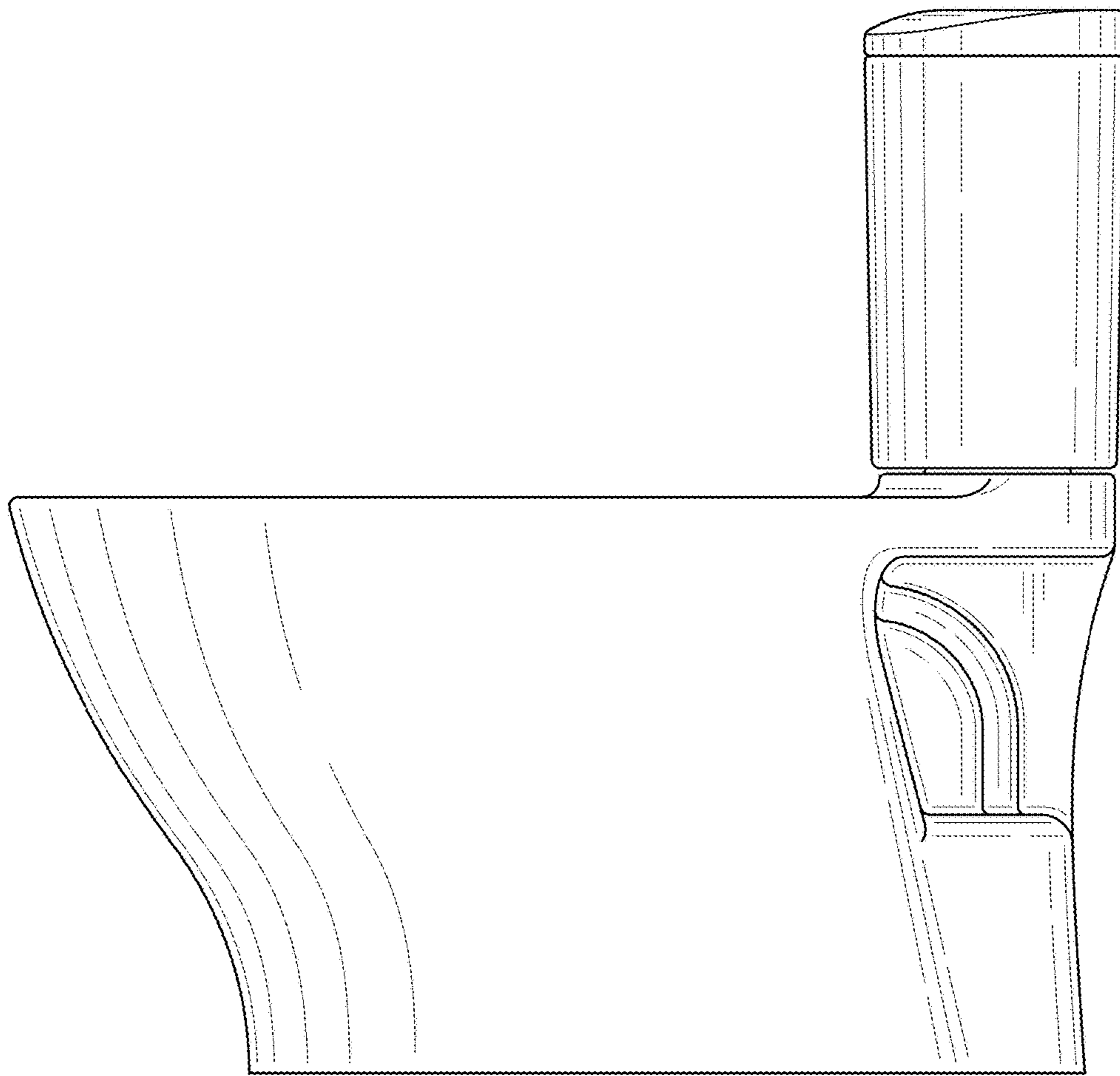


FIG. 12

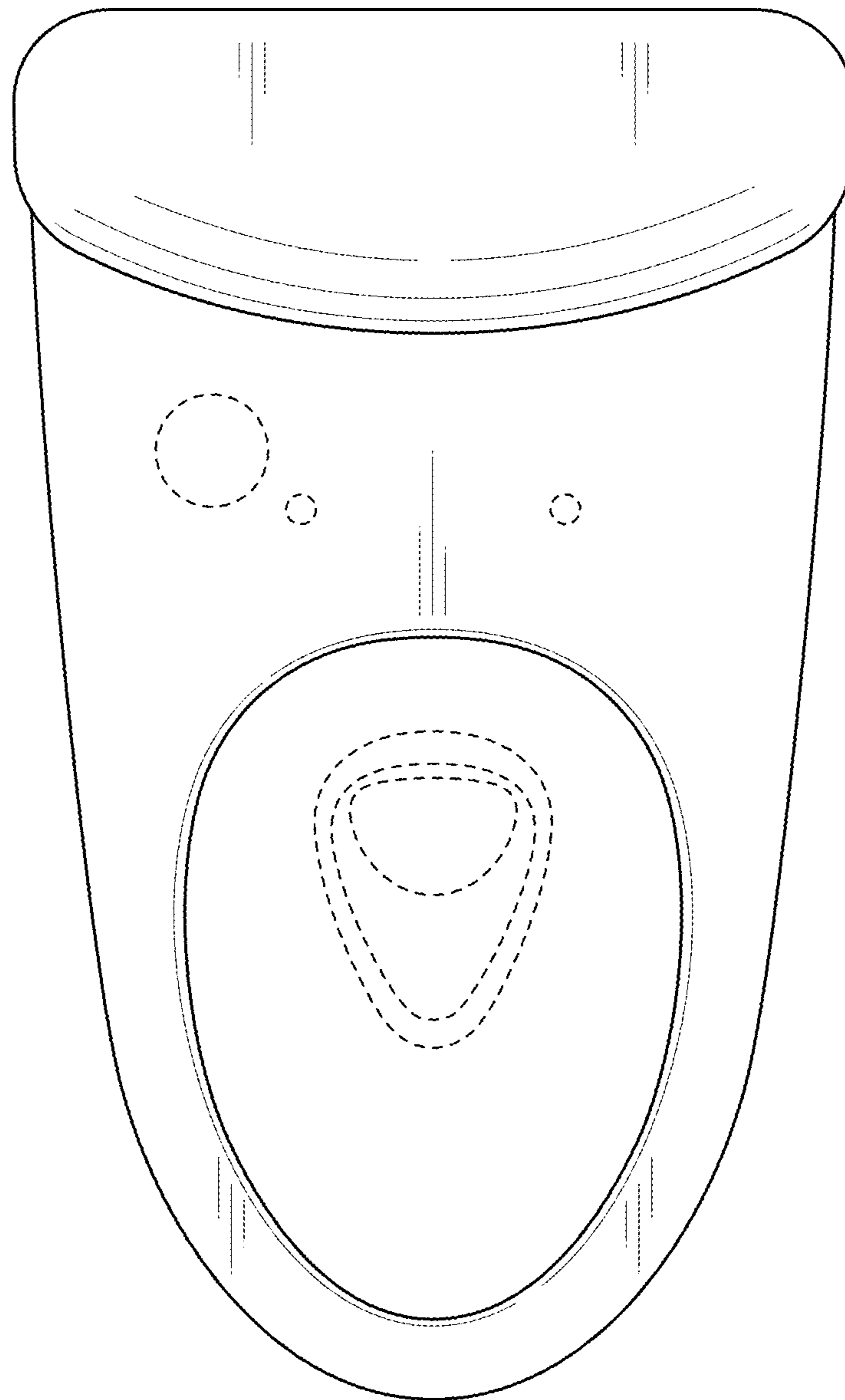


FIG. 13

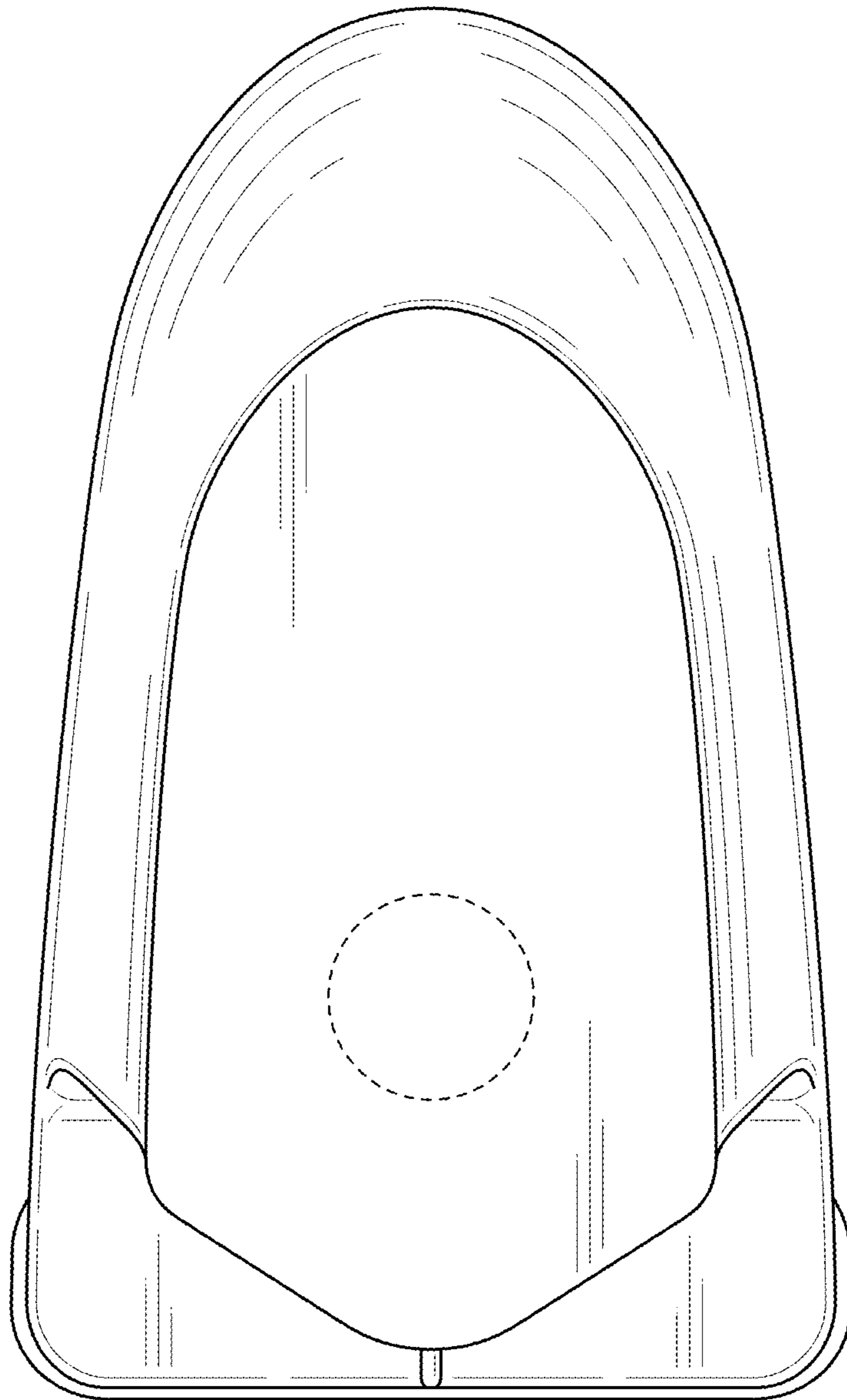


FIG. 14